



US00D794239S

(12) **United States Design Patent** (10) **Patent No.:** **US D794,239 S**
Cronk (45) **Date of Patent:** **** Aug. 8, 2017**

(54) **LUMINAIRE**
(71) Applicant: **Hygro International Pty Limited**,
Brookvale, NSW (AU)
(72) Inventor: **Paul Andrew Cronk**, Brookvale (AU)
(73) Assignee: **HYGRO INTERNATIONAL PTY LIMITED**, Brookvale, NSW (AU)
(**) Term: **15 Years**
(21) Appl. No.: **29/544,683**
(22) Filed: **Nov. 5, 2015**

7,156,539 B2 1/2007 Cronk
D544,136 S 6/2007 Hargreaves
D544,138 S 6/2007 Hargreaves
D544,994 S 6/2007 Hargreaves
D545,485 S 6/2007 Hargreaves
D604,000 S * 11/2009 Fowler, Jr. D26/76
D608,490 S * 1/2010 Chung D26/118
D633,247 S * 2/2011 Kong D26/76
D653,376 S * 1/2012 Kong D26/72
D672,079 S * 12/2012 Kong D26/74
D677,820 S * 3/2013 Mayfield, III D26/74
D681,872 S * 5/2013 Kong D26/141
D696,449 S * 12/2013 Boyer D26/74
D698,973 S * 2/2014 Santoro D26/74
D707,873 S * 6/2014 Boyer D26/74
D726,359 S * 4/2015 Grigore D26/74
D758,646 S 6/2016 Reynolds
D765,306 S * 8/2016 Wardenburg D26/118

(30) **Foreign Application Priority Data**
May 5, 2015 (AU) 12351/2015
(51) **LOC (10) Cl.** **26-05**
(52) **U.S. Cl.**
USPC **D26/74**
(58) **Field of Classification Search**
USPC D26/74, 72, 75, 76, 77, 78, 85, 88, 89,
D26/118, 138, 141
CPC F21V 29/2262; F21V 7/06; F21V 21/044;
F21V 21/047; F21V 29/2212; F21V
29/2225; F21V 29/2256; F21V 29/225;
F21V 29/2268; F21Y 2111/002; F21S
8/02; F21S 8/026
See application file for complete search history.

* cited by examiner

Primary Examiner — Angela J Lee
(74) *Attorney, Agent, or Firm* — Polsinelli PC

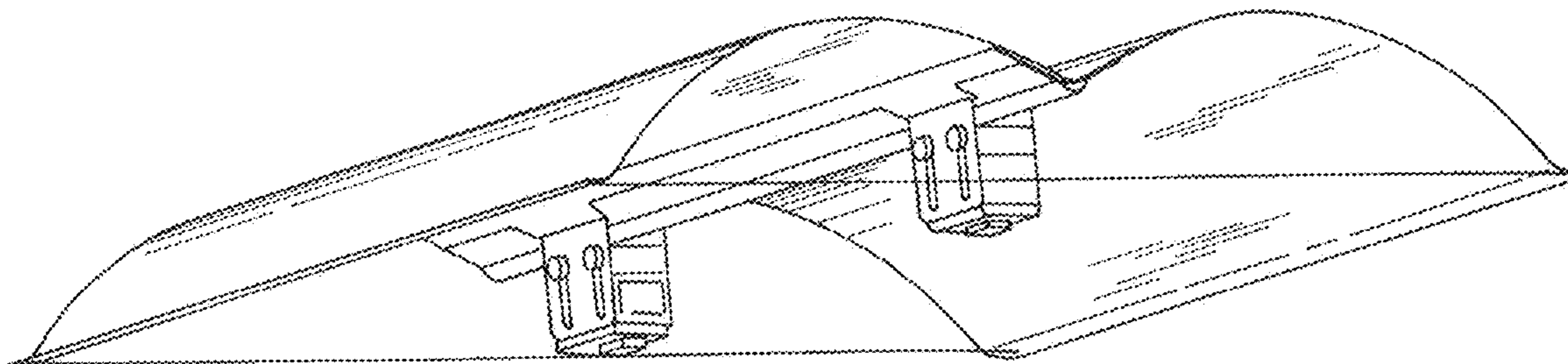
(56) **References Cited**
U.S. PATENT DOCUMENTS
D413,402 S * 8/1999 Ranieri D26/74
6,053,624 A 4/2000 Cronk
6,783,263 B1 8/2004 Cronk

(57) **CLAIM**
The ornamental design for a luminaire, as shown and described.

DESCRIPTION

FIG. 1 is left side elevation of a luminaire having a reflector; FIG. 2 is a plan view of the luminaire of FIG. 1, FIG. 3 is a right side elevation of the luminaire of FIG. 1, FIG. 4 is an inverted plan view of the luminaire of FIG. 1, FIG. 5 is an end view from one end of the luminaire of FIG. 1, FIG. 6 is an end view from the other side of luminaire of FIG. 1; and, FIG. 7 is a perspective view from below of the luminaire of FIG. 1 and without a lamp.

1 Claim, 4 Drawing Sheets



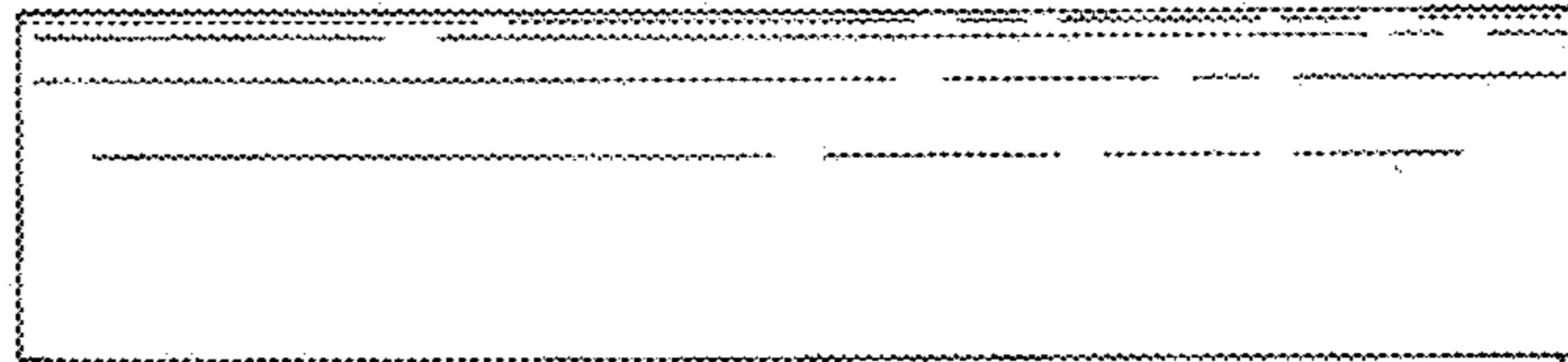


FIG. 1

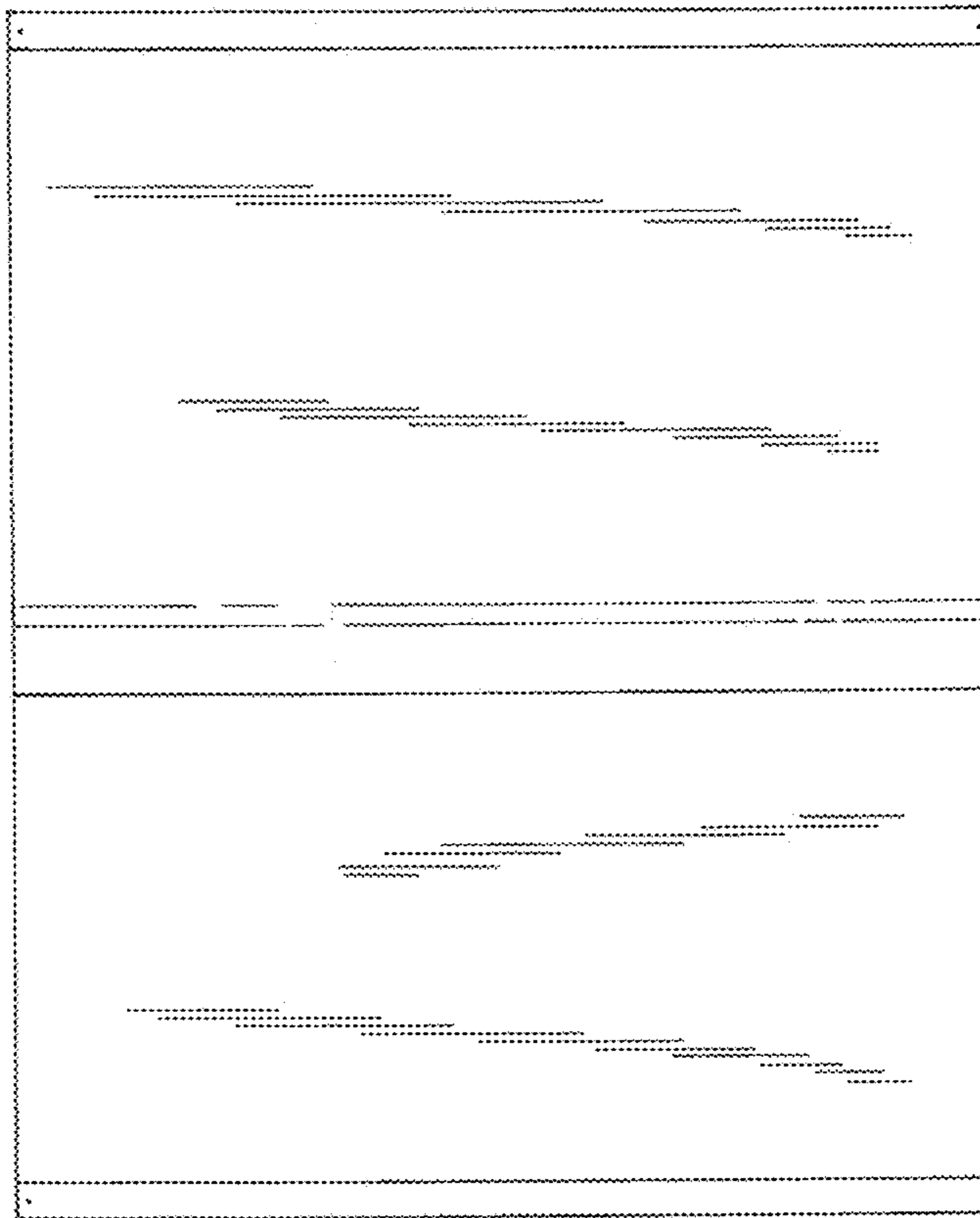


FIG. 2

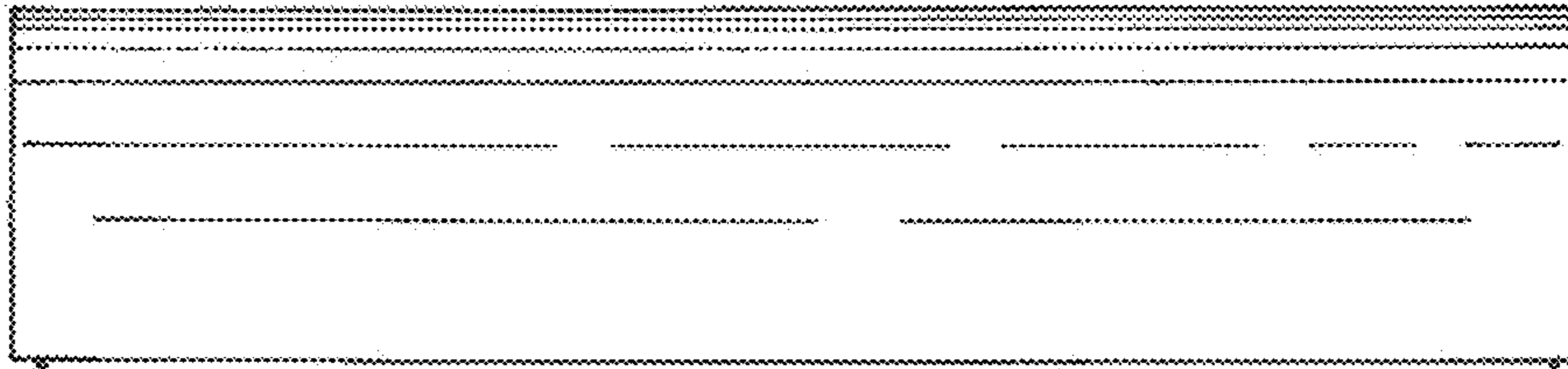


FIG. 3

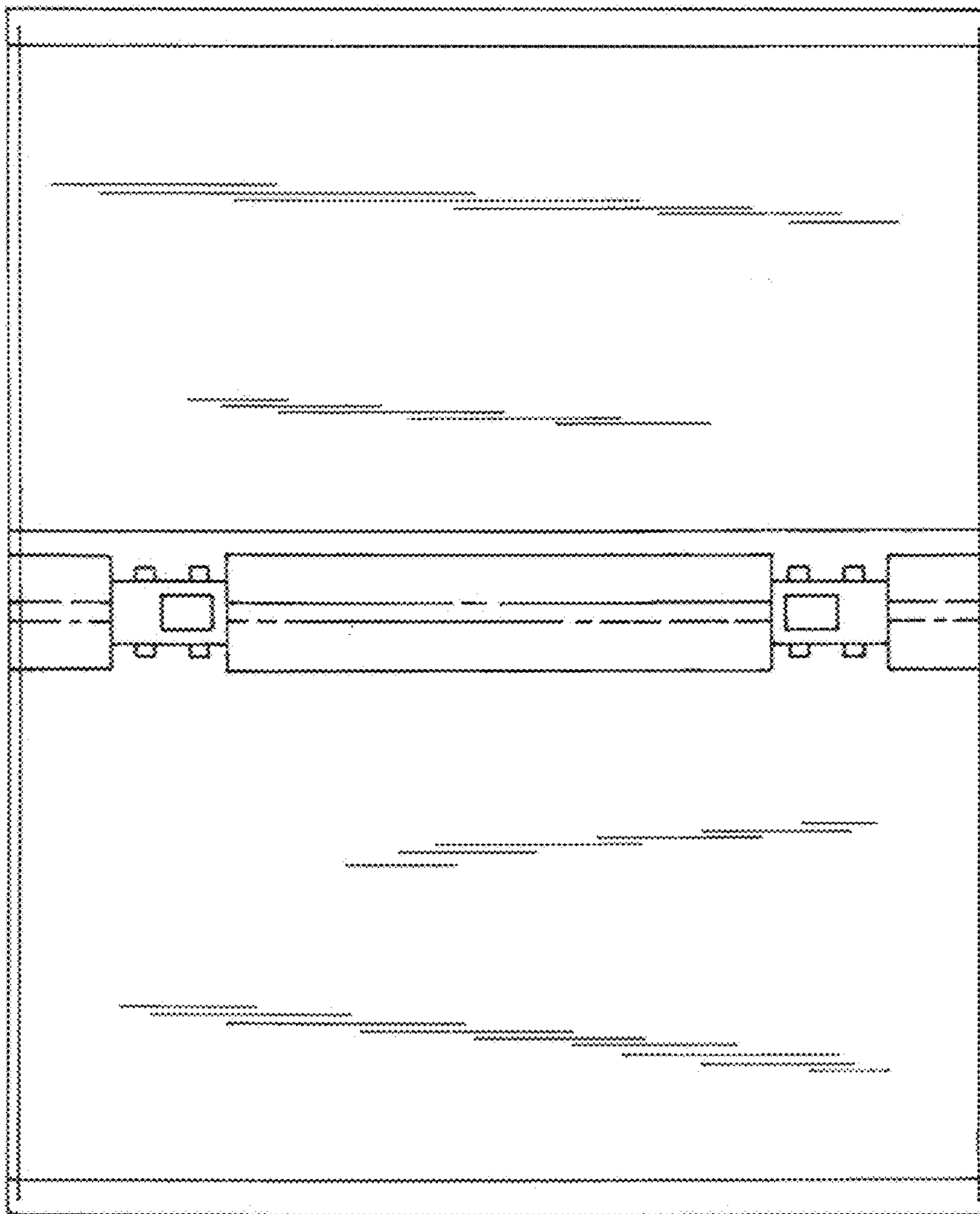


FIG. 4

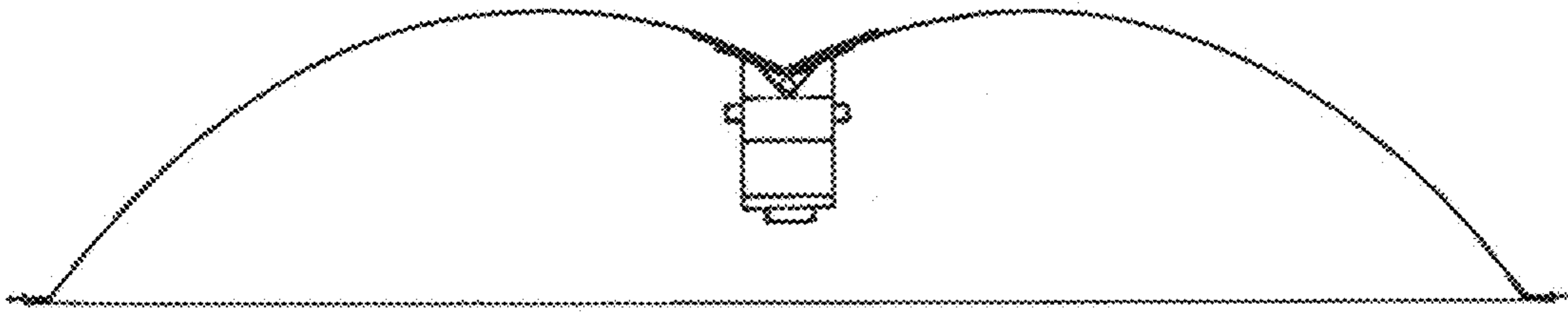


FIG. 5

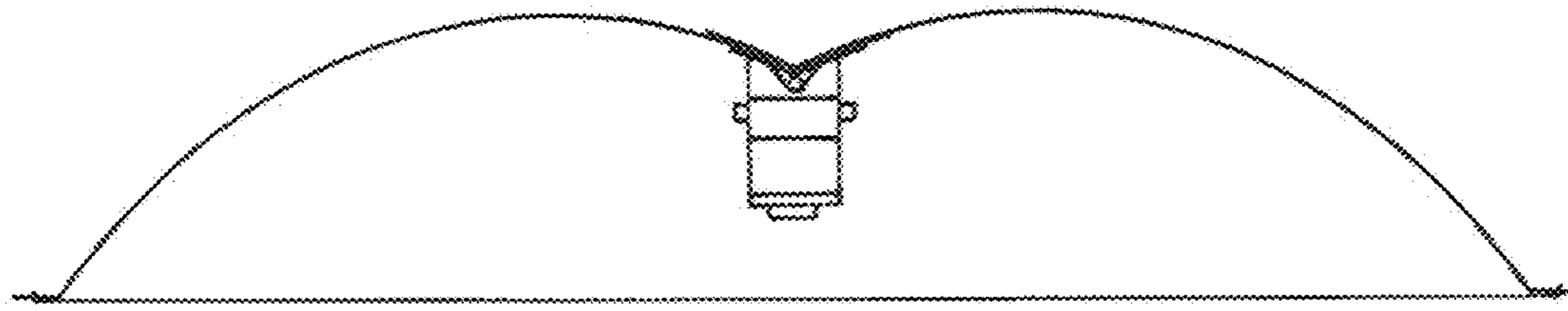


FIG. 6

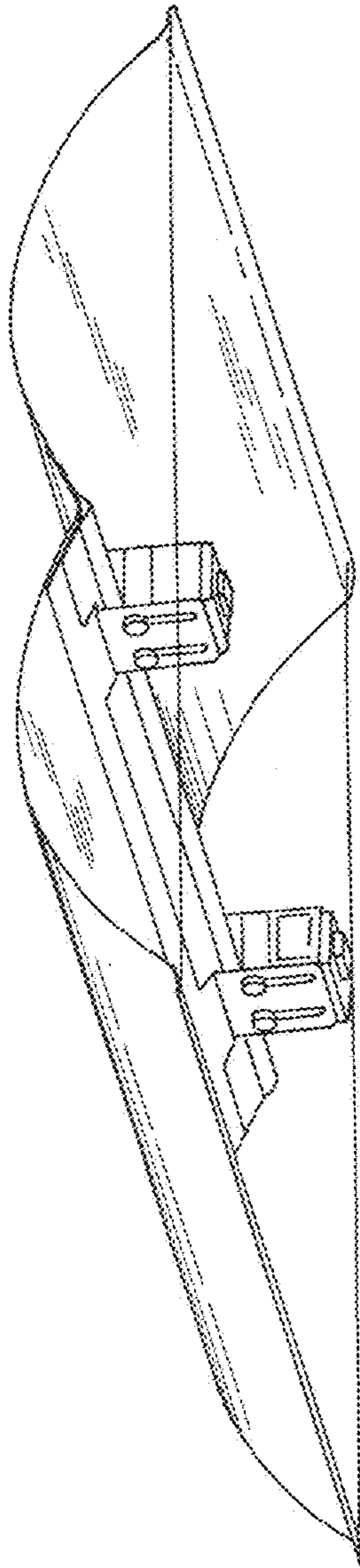


FIG. 7