



US00D794238S

(12) **United States Design Patent** (10) **Patent No.:** **US D794,238 S**
Kung (45) **Date of Patent:** **** Aug. 8, 2017**

(54) **LAMP UNIT**
(71) Applicant: **Kenneth Kung**, Kowloon (HK)
(72) Inventor: **Kenneth Kung**, Kowloon (HK)
(73) Assignee: **Tung Fat Industries Limited**, Kowloon (HK)

D507,370 S * 7/2005 Marshall D26/37
D516,234 S * 2/2006 Holsinger D26/37
D517,711 S * 3/2006 Payne D26/37
D540,978 S * 4/2007 Cormier D26/120
D579,594 S * 10/2008 Hesse D26/37
D711,028 S * 8/2014 Pritchett D26/37
9,046,230 B2 * 6/2015 O'Brien F21L 4/005
D755,428 S * 5/2016 Green D26/37
2007/0258235 A1 * 11/2007 Brockel F21V 7/0075
362/190

(**) Term: **15 Years**

(21) Appl. No.: **29/567,748**

(22) Filed: **Jun. 13, 2016**

(51) **LOC (10) Cl.** **26-02**

(52) **U.S. Cl.**
USPC **D26/49**

(58) **Field of Classification Search**
USPC D26/37, 38, 8, 36, 46, 49, 79, 123, 113,
D26/33, 69, 70; 326/171, 186, 311.07,
326/311.1, 335; 220/212; 362/158, 202,
362/296.06, 296.07
CPC F21L 4/005; F21L 13/04; F21L 14/02
See application file for complete search history.

(56) **References Cited**

U.S. PATENT DOCUMENTS

1,443,106 A * 1/1923 Walsh F21L 4/00
340/321
4,586,116 A * 4/1986 Kasboske F21S 48/1131
362/293
D395,719 S * 6/1998 Concari D26/37
D397,464 S * 8/1998 Concari D26/37
D403,446 S * 12/1998 Lynch D26/37
D403,447 S * 12/1998 Parsons D26/37
D450,871 S * 11/2001 Dair D26/49
D480,826 S * 10/2003 Englert D26/49
D484,265 S * 12/2003 Bruwer D26/37
D507,366 S * 7/2005 Opolka D26/37

OTHER PUBLICATIONS

NPL #1: Wide Beam LED 850 Lumens Flashlight, Dorcy, posted at twoclassychics.com, posted May 12, 2016 by Shelly H., © 2009-2017 Two Classy Chics, online, site visited Mar. 9, 2017. Available from Internet, <URL:http://twoclassychics.com/about-us-contact-us-2/>.*

* cited by examiner

Primary Examiner — Lakiya Rogers
Assistant Examiner — Altaira Swangin

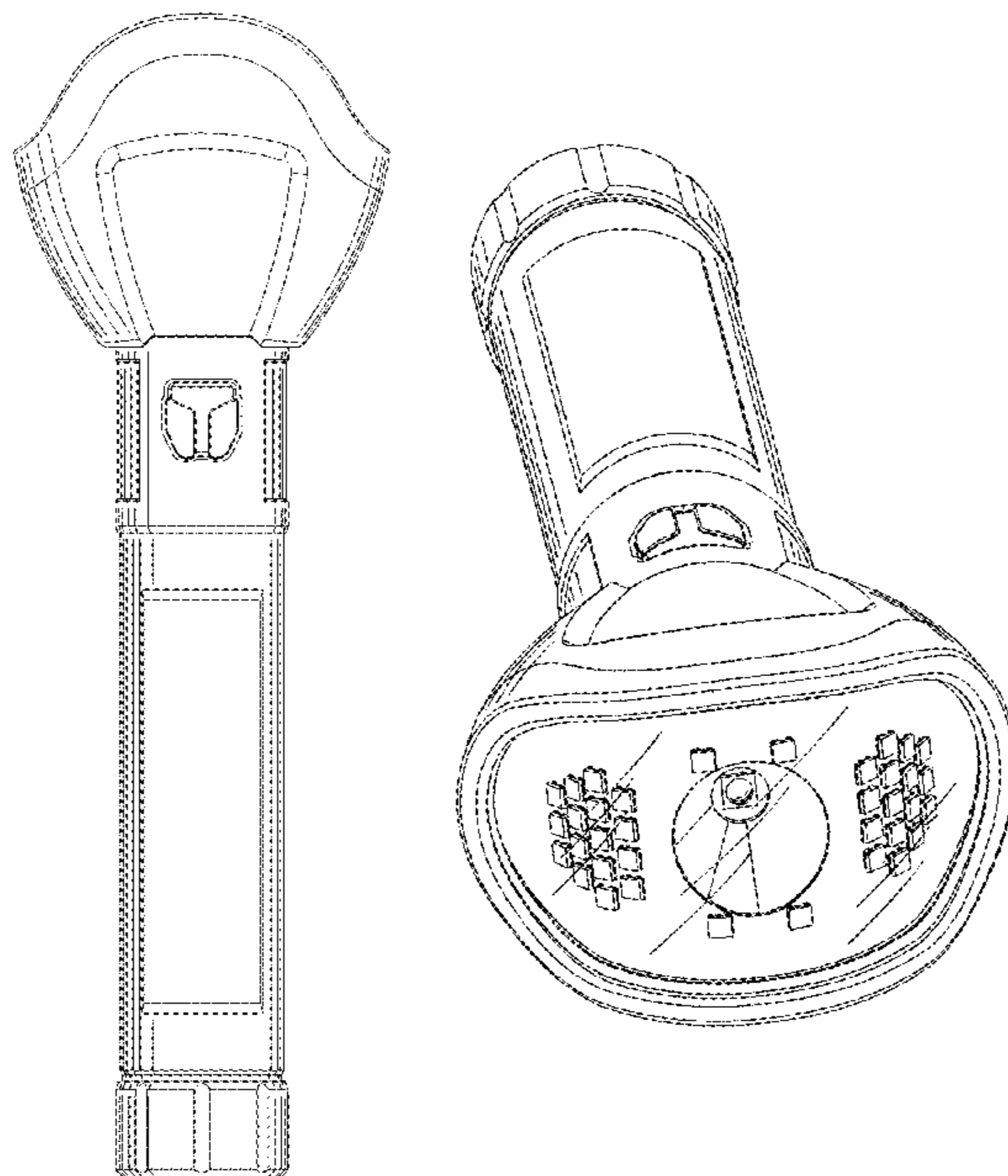
(57) **CLAIM**

The ornamental design for a lamp unit, as shown.

DESCRIPTION

FIG. 1 is a front elevational view of a lamp unit showing my new design;
FIG. 2 is a rear elevational view thereof;
FIG. 3 is a left side view thereof;
FIG. 4 is a right side view thereof;
FIG. 5 is a top plan view thereof;
FIG. 6 is a bottom plan view thereof;
FIG. 7 is a perspective view thereof; and,
FIG. 8 is another perspective view thereof.

1 Claim, 7 Drawing Sheets



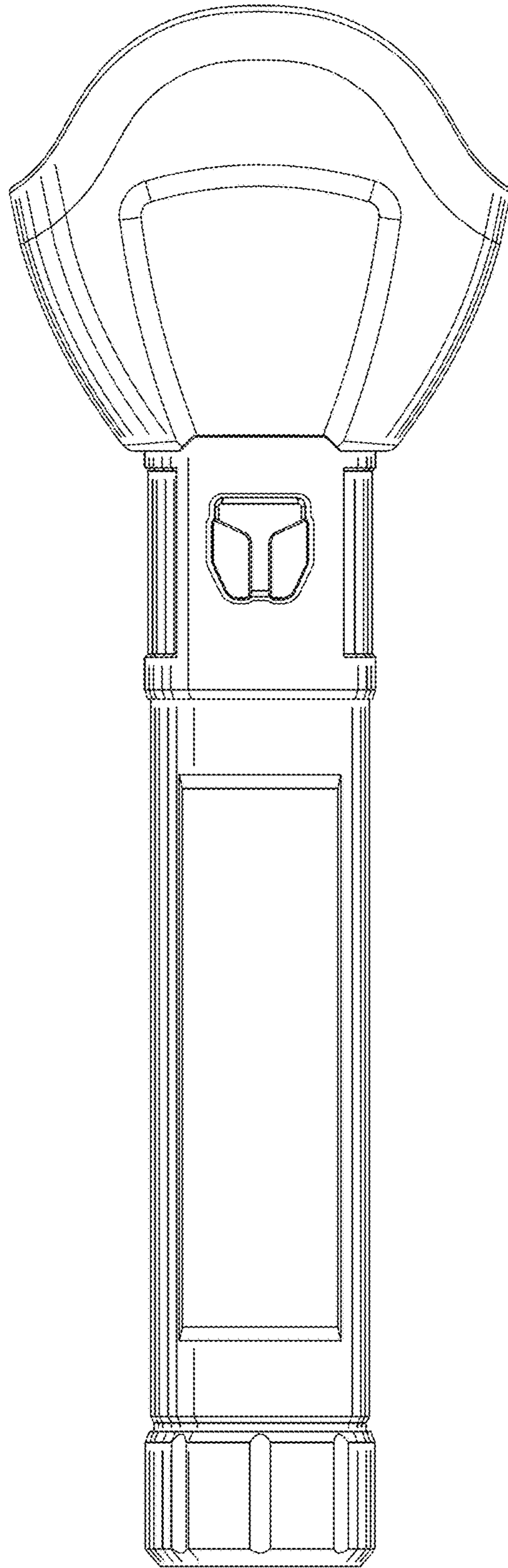


FIG. 1

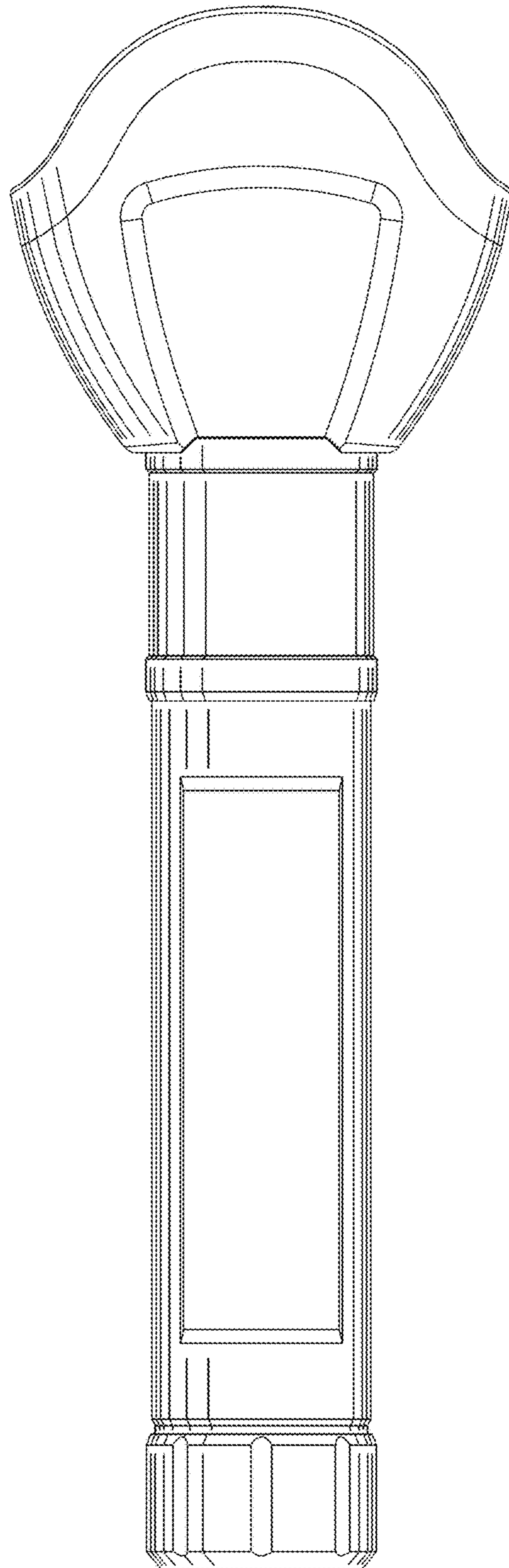


FIG. 2

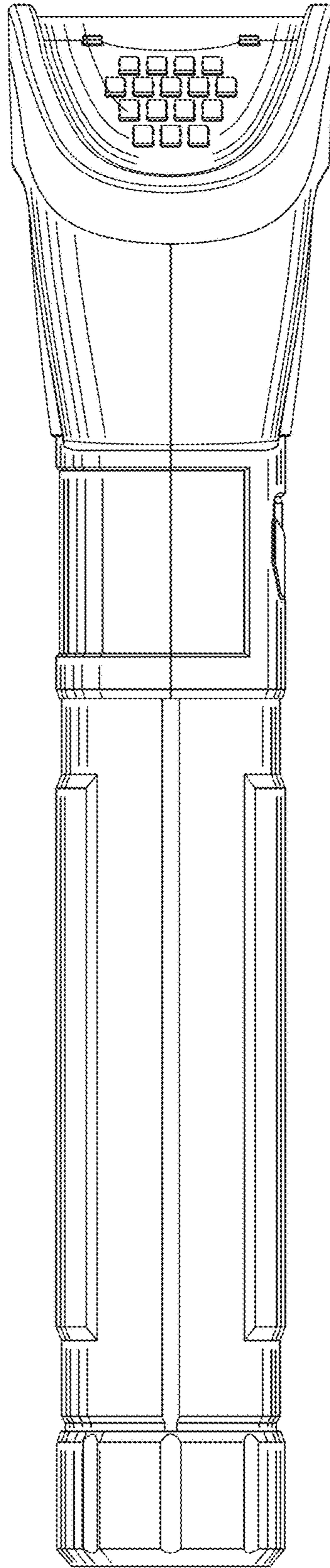


FIG. 3

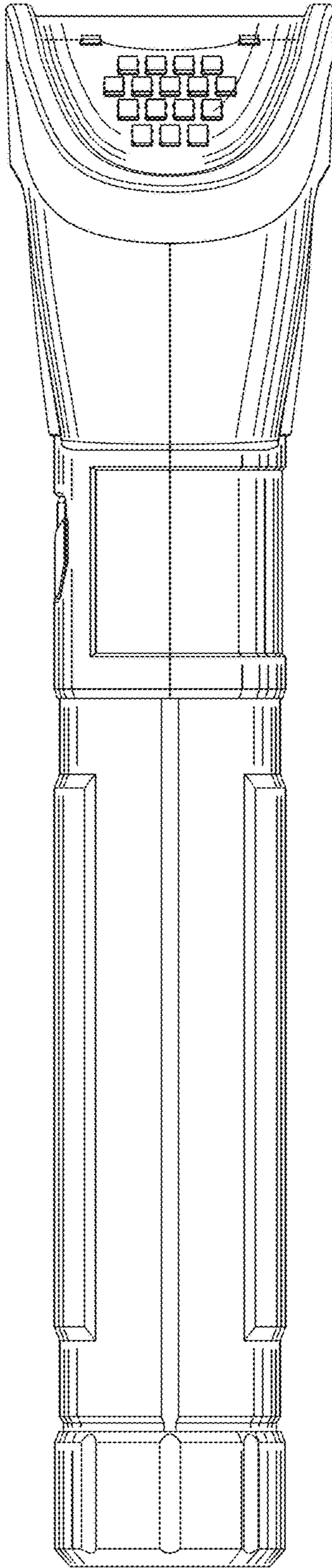


FIG. 4

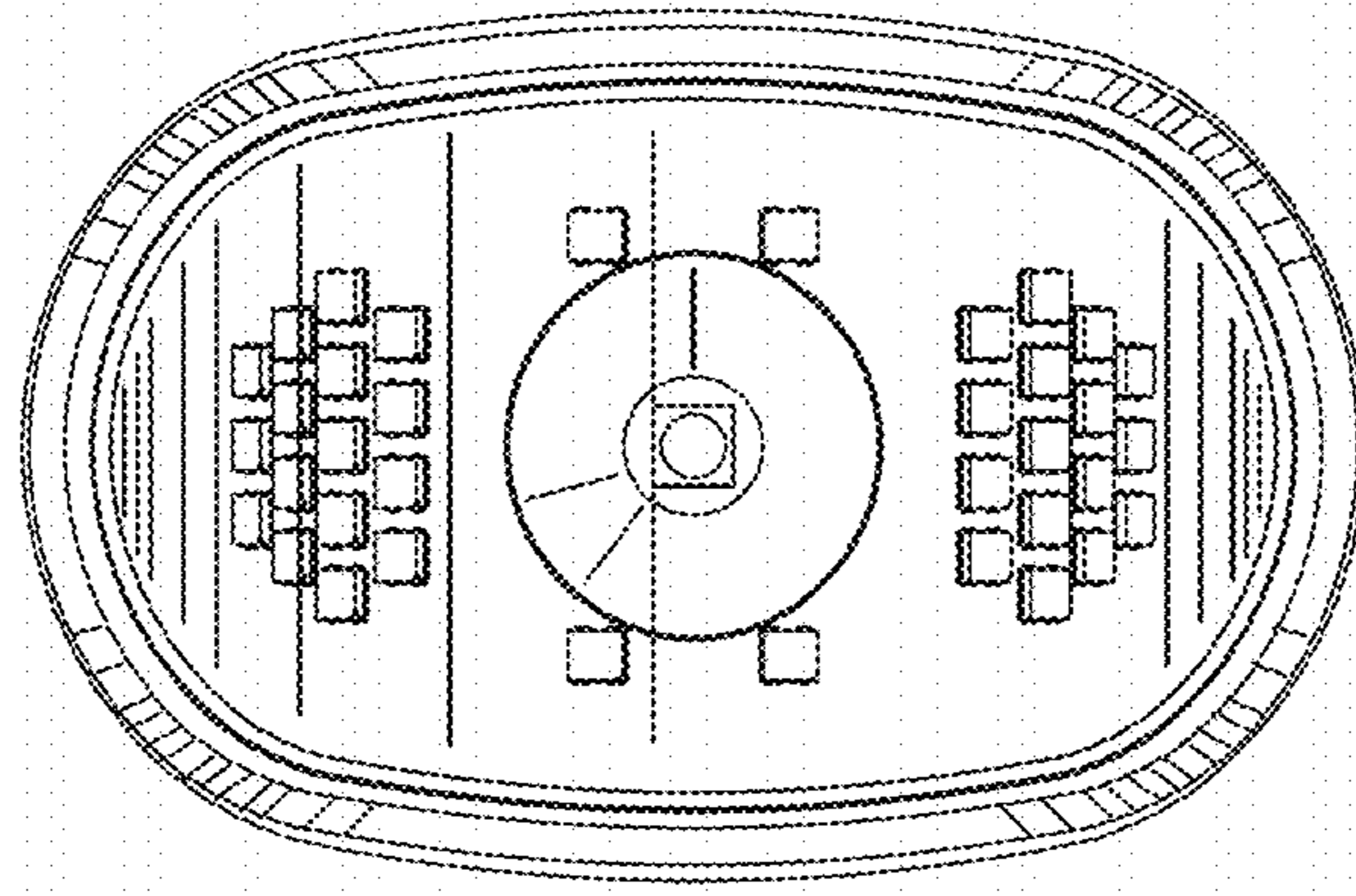


FIG. 5

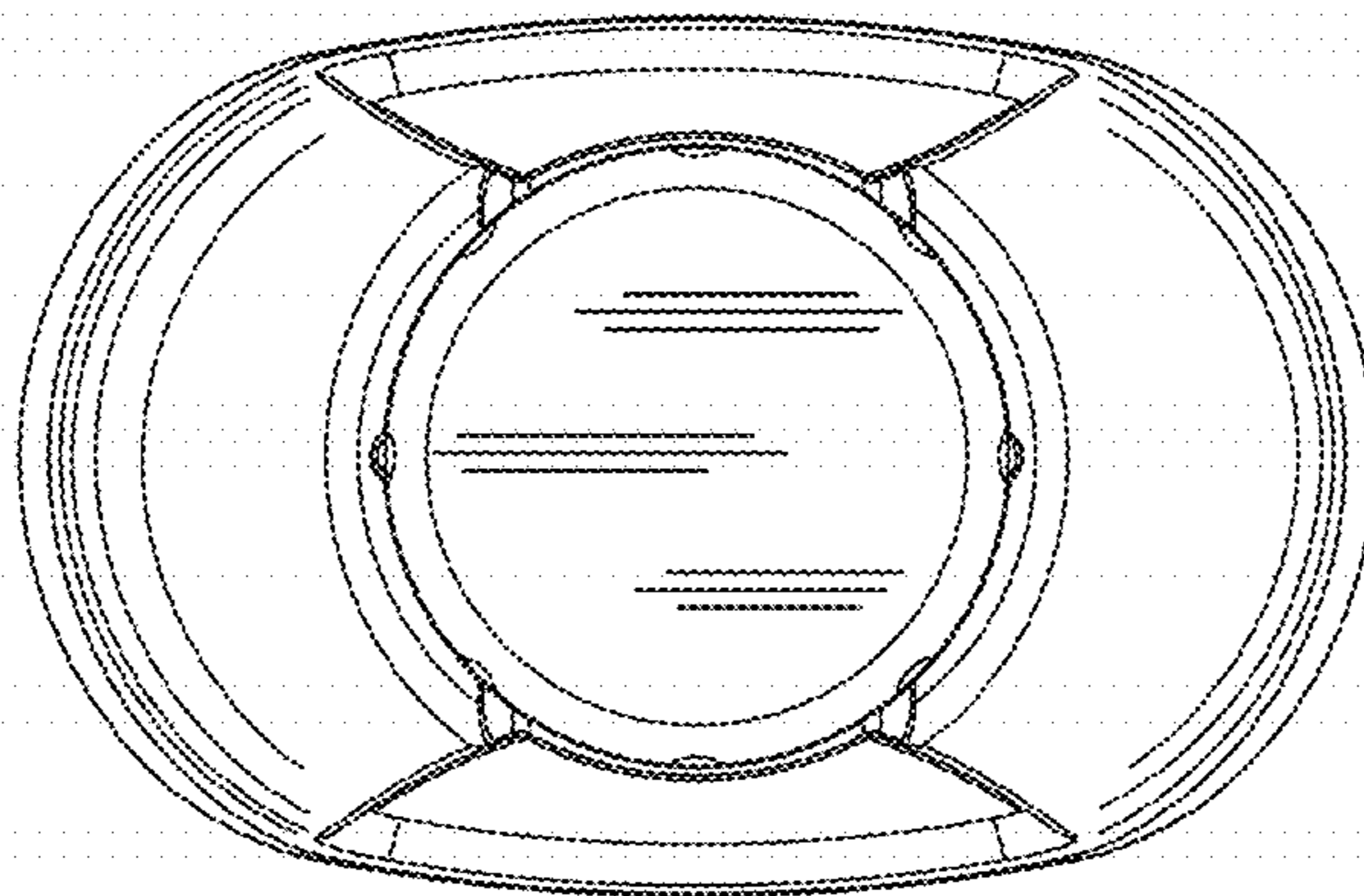


FIG. 6

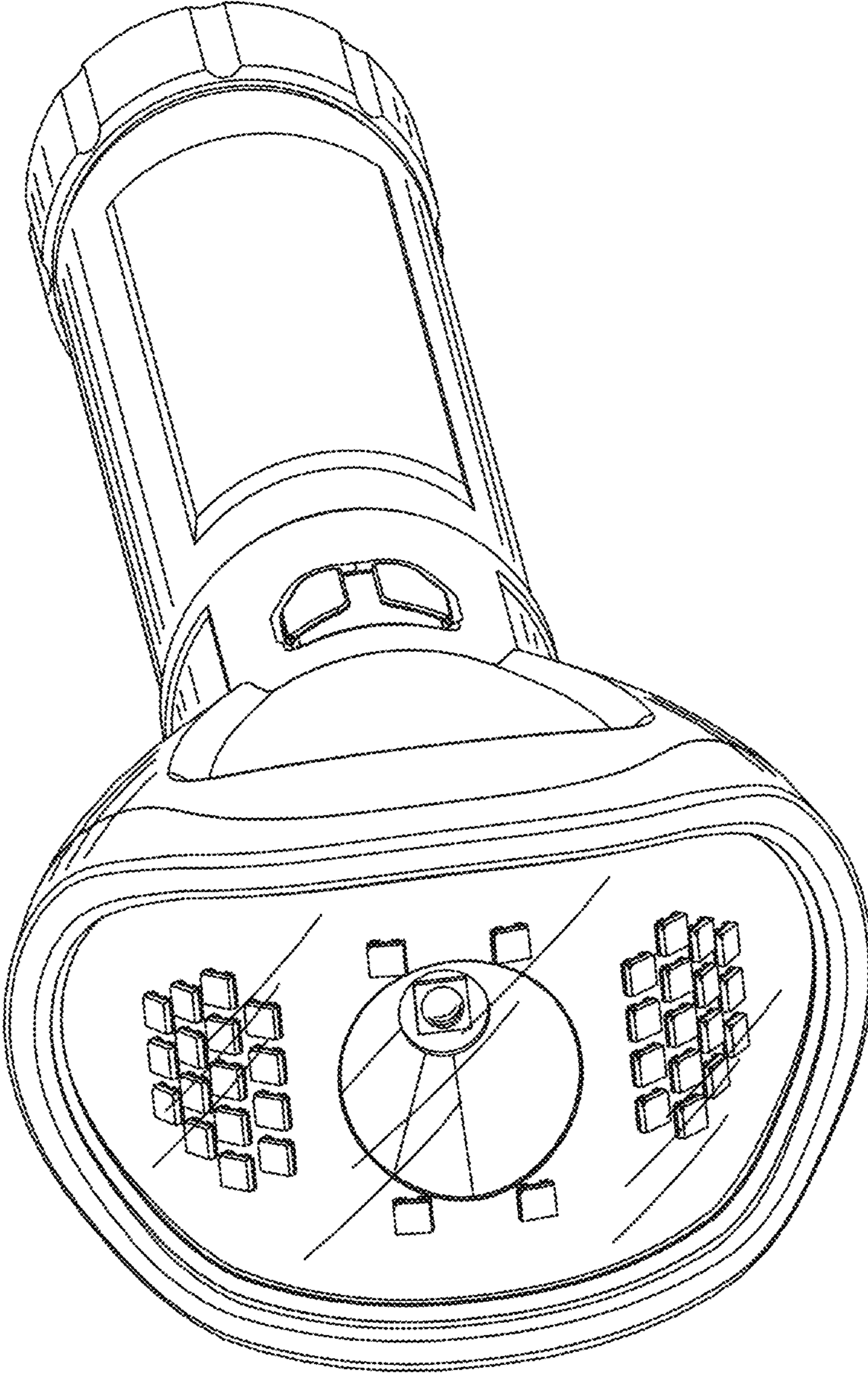


FIG. 7

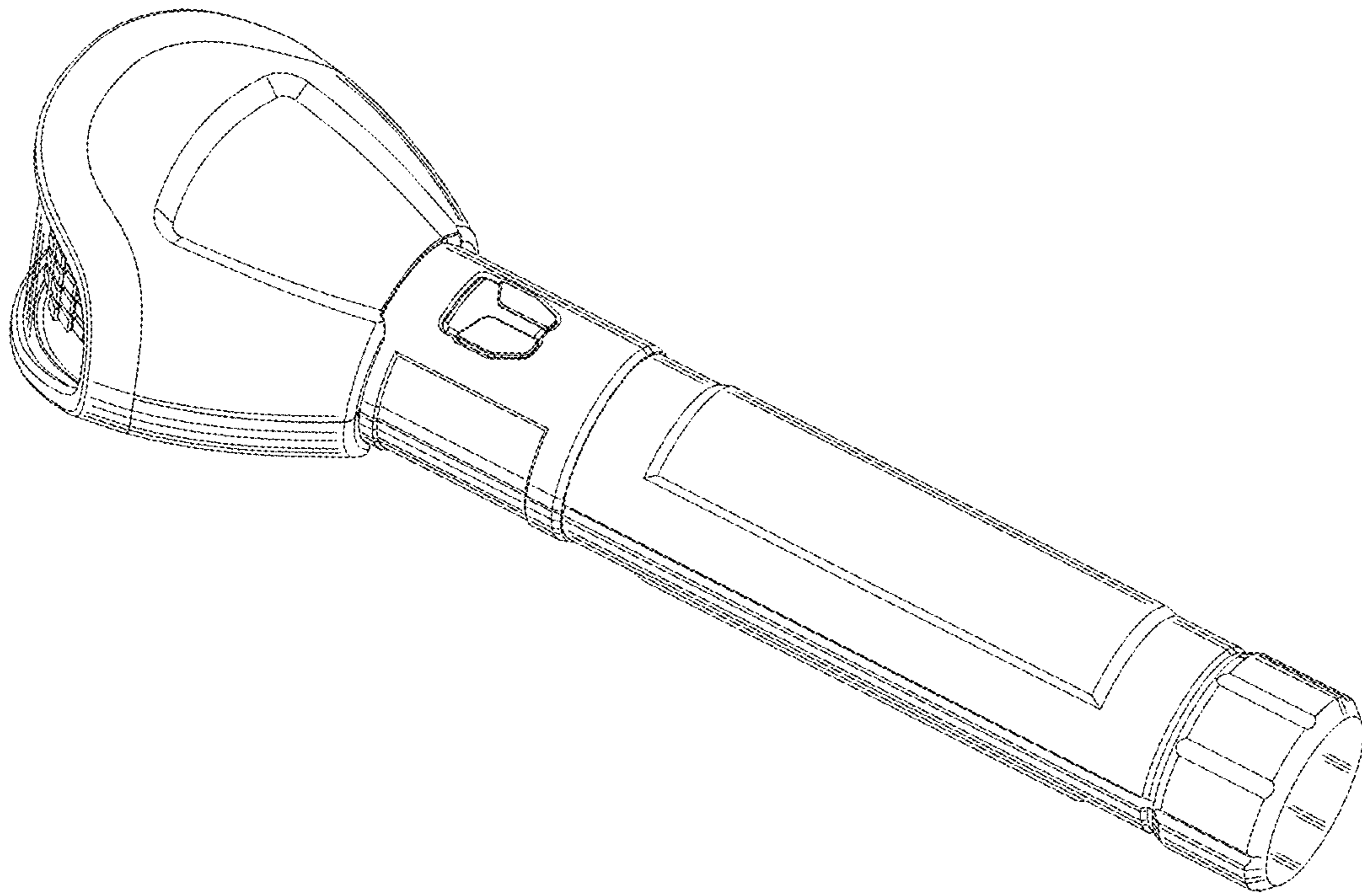


FIG. 8