



US00D794237S

(12) **United States Design Patent** (10) **Patent No.:** **US D794,237 S**
Christensen (45) **Date of Patent:** **** Aug. 8, 2017**

(54) **FLASHLIGHT**
(71) Applicant: **Simple Products Corporation**, Draper, UT (US)
(72) Inventor: **Brian Christensen**, Draper, UT (US)
(73) Assignee: **Simple Products Corporation**, Draper, UT (US)
(**) Term: **14 Years**

6,357,892 B1 3/2002 Beadle
6,604,847 B2 8/2003 Lehrer
6,877,876 B1 4/2005 Steinhilber
6,908,211 B1 6/2005 Harper
D521,166 S * 5/2006 Yamamoto D26/37
D523,575 S 6/2006 Bhavnani
7,086,907 B2 8/2006 Bhavnani
D531,746 S * 11/2006 Zhu D26/49
7,175,299 B2 2/2007 Uke et al.
7,178,937 B2 2/2007 McDermott
D542,952 S 5/2007 Bhavnani
D543,649 S 5/2007 Bhavnani
D546,491 S * 7/2007 Shiu D26/49

(Continued)

(21) Appl. No.: **29/485,633**
(22) Filed: **Mar. 20, 2014**
(51) **LOC (10) Cl.** **26-02**
(52) **U.S. Cl.**
USPC **D26/49**
(58) **Field of Classification Search**
USPC D26/37, 38, 46, 49, 40; 362/157, 158,
362/184, 186, 194-196, 200-208, 253
CPC F21L 2/00; F21L 4/00; F21L 4/005; F21L
17/00; F21L 13/08; F21Y 2101/00; F21V
21/30; F21V 21/406; F21W 2131/406;
F21W 2131/407
See application file for complete search history.

Primary Examiner — Ian Simmons
Assistant Examiner — Carissa C Fitts
(74) *Attorney, Agent, or Firm* — Thorpe North & Western, LLP

(57) **CLAIM**

The ornamental design for a flashlight, as shown and described.

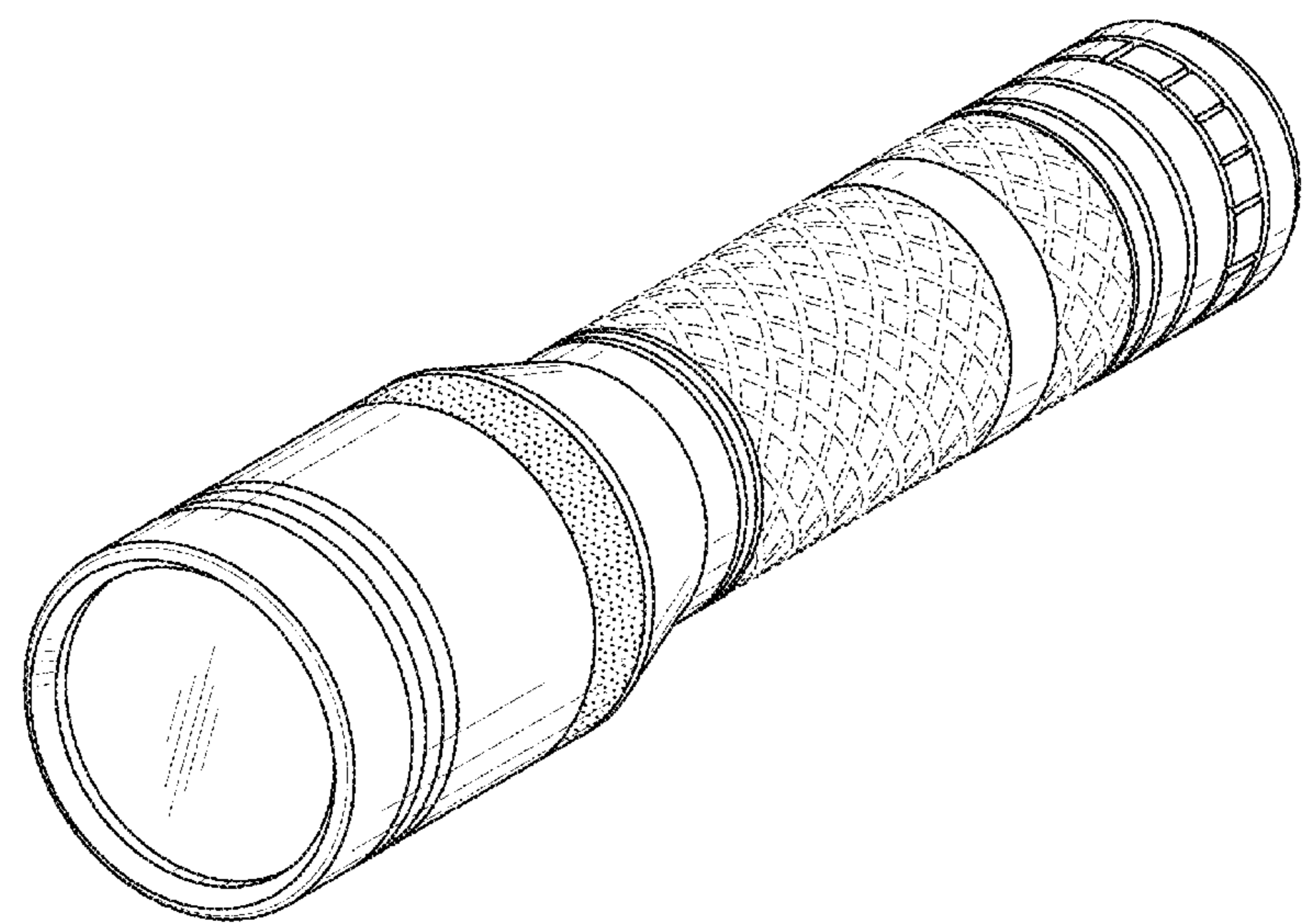
DESCRIPTION

FIG. 1 is a perspective front view of the flashlight in accordance with my invention;
FIG. 2 is a back perspective view thereof;
FIG. 3 is a right side view thereof;
FIG. 4 is a left side view thereof;
FIG. 5 is a top view thereof;
FIG. 6 is a bottom view thereof;
FIG. 7 is a front view thereof; and,
FIG. 8 is a back view thereof.

The narrow parallel lines also form no part of the claimed design and are merely contour shading. The circumferential stippling at the flashlight head indicates a contrast in appearance. Throughout the drawings the broken lines represent unclaimed subject matter only and form no part of the claimed design.

1 Claim, 3 Drawing Sheets

(56) **References Cited**
U.S. PATENT DOCUMENTS
4,656,566 A 4/1987 Kelley
4,716,402 A 12/1987 Francis
D302,103 S 7/1989 Halsted et al.
D302,130 S 7/1989 Muller
5,217,292 A 6/1993 Chalberg
5,365,154 A 11/1994 Schneider et al.
5,595,435 A 1/1997 Palmer et al.
D378,181 S 2/1997 Richmond
5,788,359 A 8/1998 Halsey et al.
5,826,971 A 10/1998 Kibler
6,081,956 A 7/2000 Boys
6,264,756 B1 7/2001 Boys
6,290,368 B1 9/2001 Lehrer



(56)

References Cited

U.S. PATENT DOCUMENTS

D548,861 S *	8/2007	Chapman	D26/37	D710,526 S *	8/2014	Lee	D26/49
D551,366 S *	9/2007	Galli	D26/37	8,840,273 B2	9/2014	Sooferian		
7,303,298 B2	12/2007	Bhavnani			D719,694 S *	12/2014	Nawaz	D22/117
D566,097 S	4/2008	Bhavnani			D724,247 S *	3/2015	Chouprinov	D22/117
D568,107 S	5/2008	Bhavnani			2005/0083687 A1	4/2005	Brass		
7,530,706 B2	5/2009	Ouyang et al.			2005/0254352 A1	11/2005	Wolf et al.		
7,575,367 B2	8/2009	Wolf et al.			2006/0121787 A1	6/2006	Bhavnani		
D645,592 S	9/2011	Brands et al.			2006/0158895 A1	7/2006	Brands et al.		
D646,346 S *	10/2011	Rae	D22/117	2006/0235329 A1	10/2006	Bhavnani		
D647,232 S *	10/2011	Liu	D26/49	2006/0238998 A1	10/2006	Bhavnani		
8,147,088 B2	4/2012	Chen et al.			2008/0066358 A1	3/2008	Bhavnani		
8,152,327 B2	4/2012	Brands et al.			2008/0078787 A1	4/2008	Yelland		
8,162,503 B2	4/2012	Harnischmacher			2008/0101056 A1	5/2008	Bhavnani		
D668,805 S *	10/2012	Chapman	D26/49	2009/0091925 A1	4/2009	Hesse et al.		
D675,357 S	1/2013	Shi			2011/0080725 A1	4/2011	Brands et al.		
D675,358 S	1/2013	Brands et al.			2011/0080736 A1	4/2011	Brands et al.		
8,371,710 B2	2/2013	Gupta et al.			2012/0020062 A1	1/2012	Opolka		
D683,877 S *	6/2013	Brands	D26/49	2012/0104197 A1	5/2012	Jensen		
D698,056 S *	1/2014	Forbes	D26/42	2012/0314408 A1	12/2012	Reimann et al.		
D698,961 S *	2/2014	Dalton	D26/49	2013/0208481 A1	8/2013	Sooferian		
D706,476 S *	6/2014	Lee	D26/49	2013/0286639 A1	10/2013	Choo et al.		
					2013/0329409 A1	12/2013	Windom		
					2013/0335955 A1	12/2013	Lee		

* cited by examiner

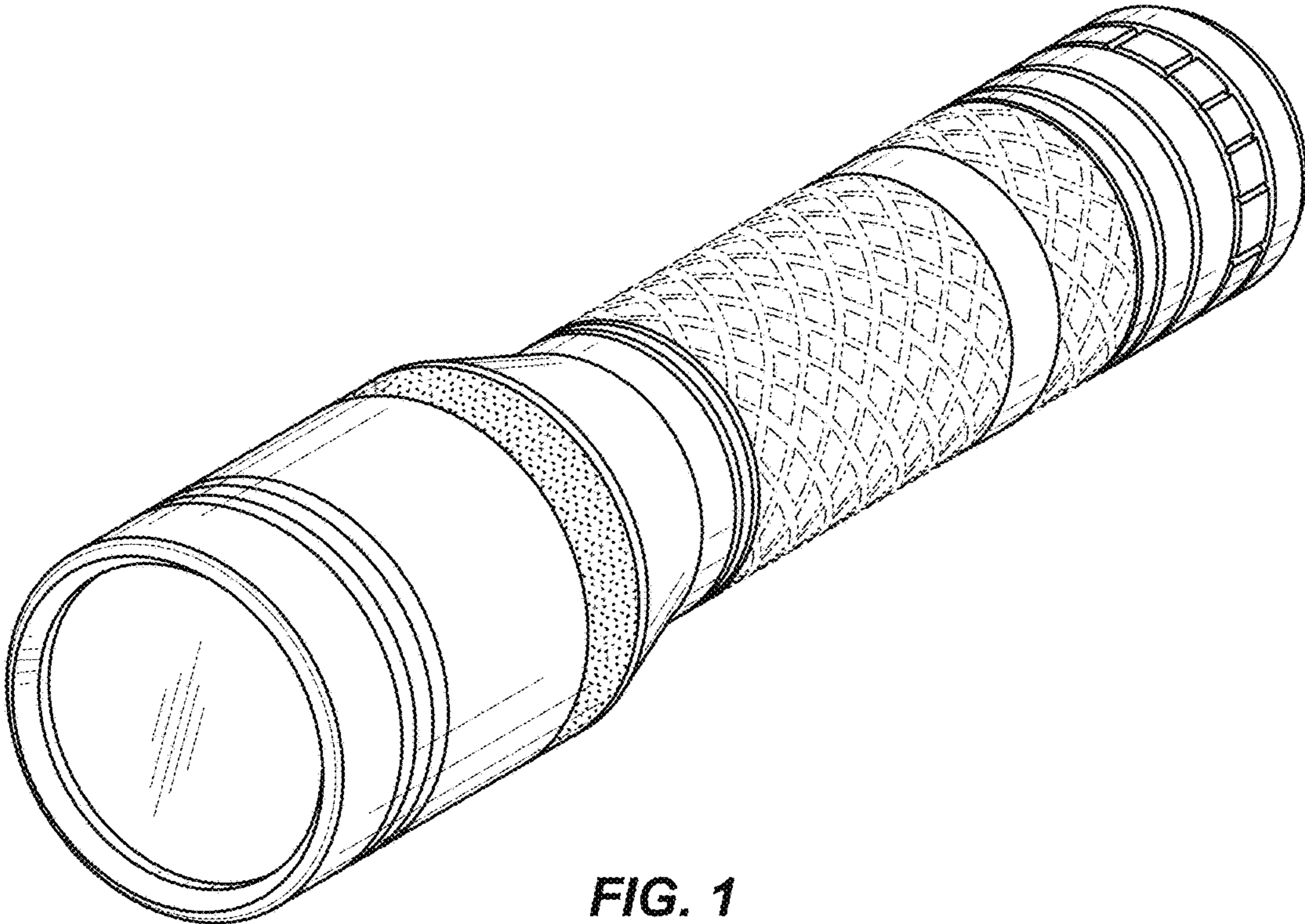


FIG. 1

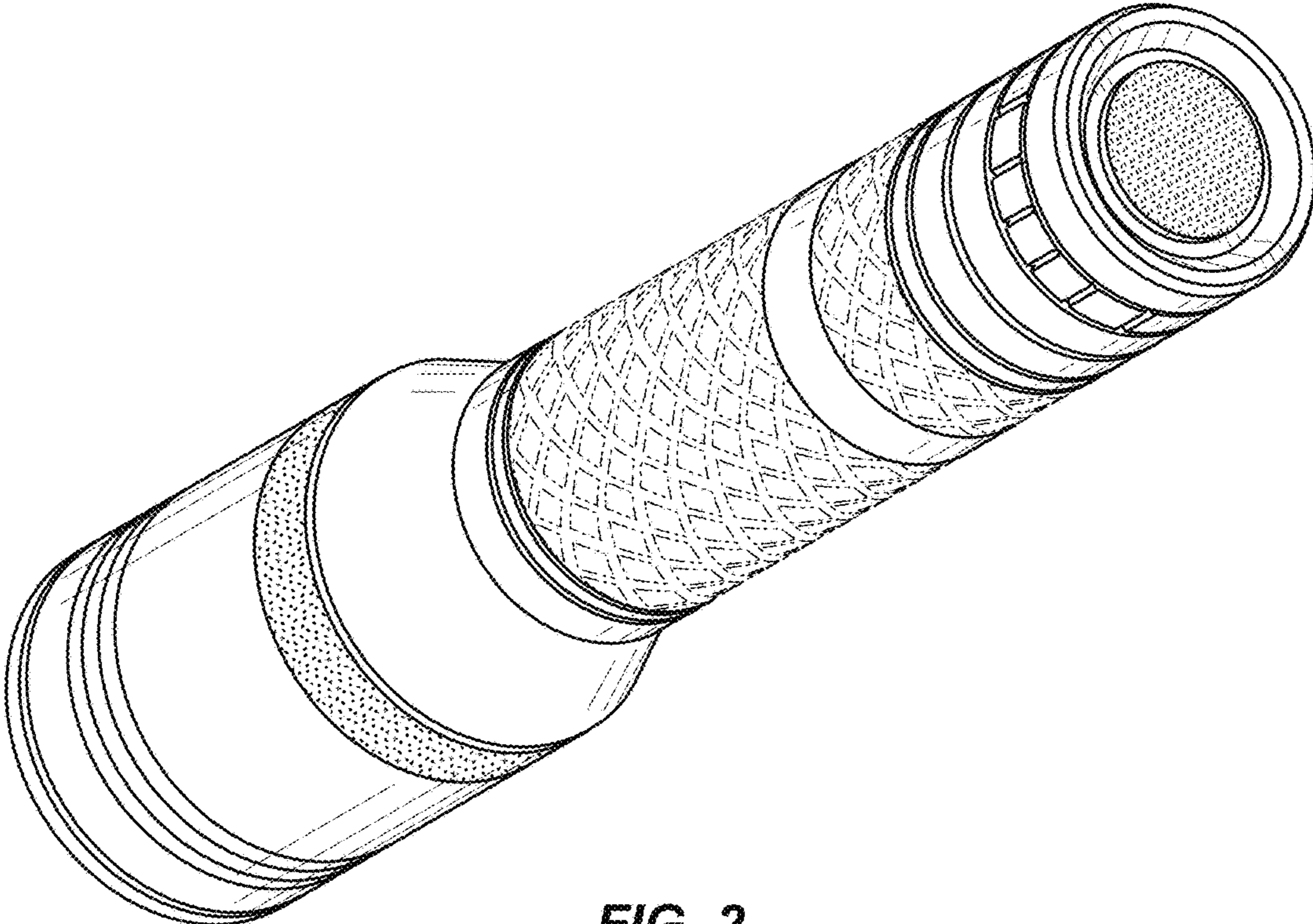


FIG. 2

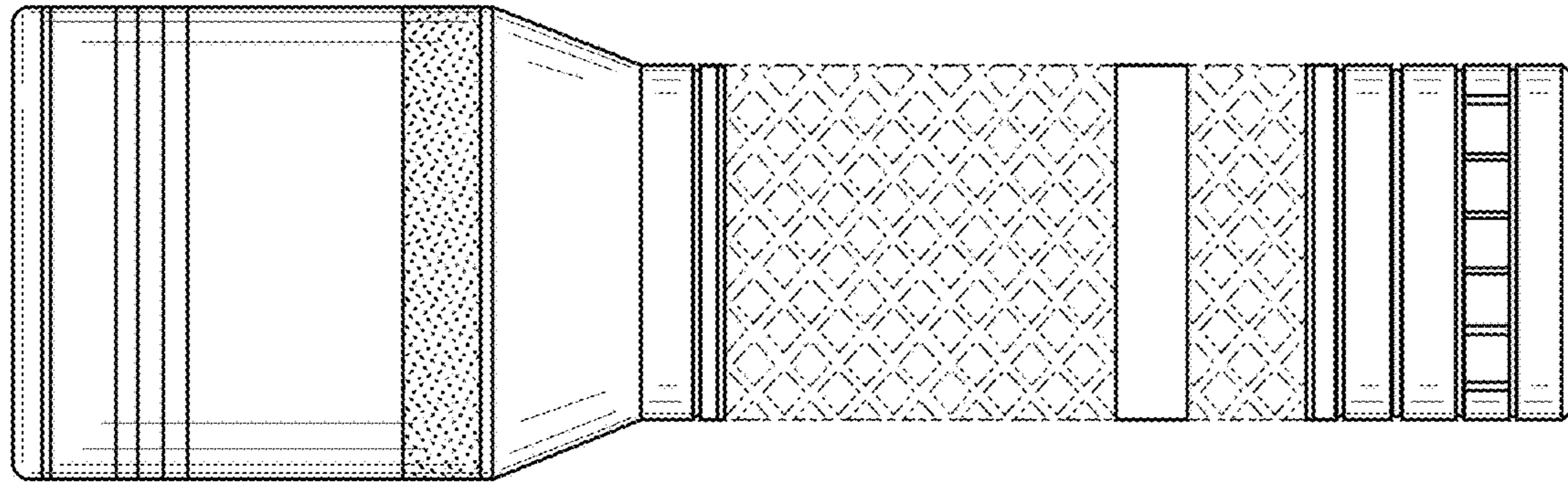


FIG. 3

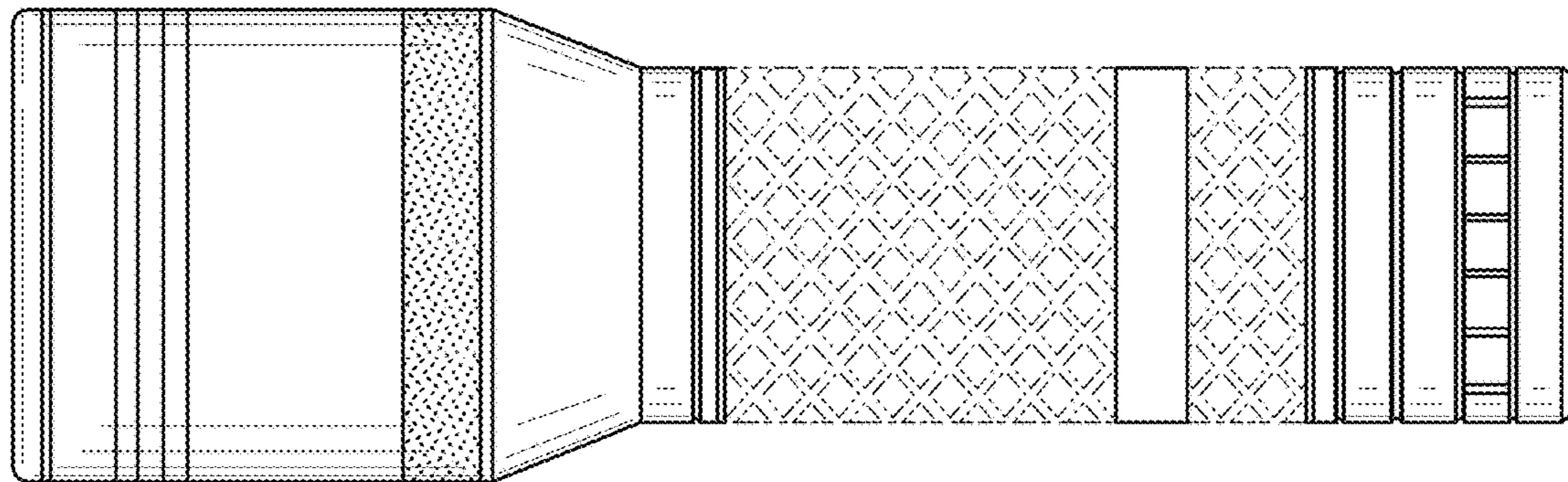


FIG. 4

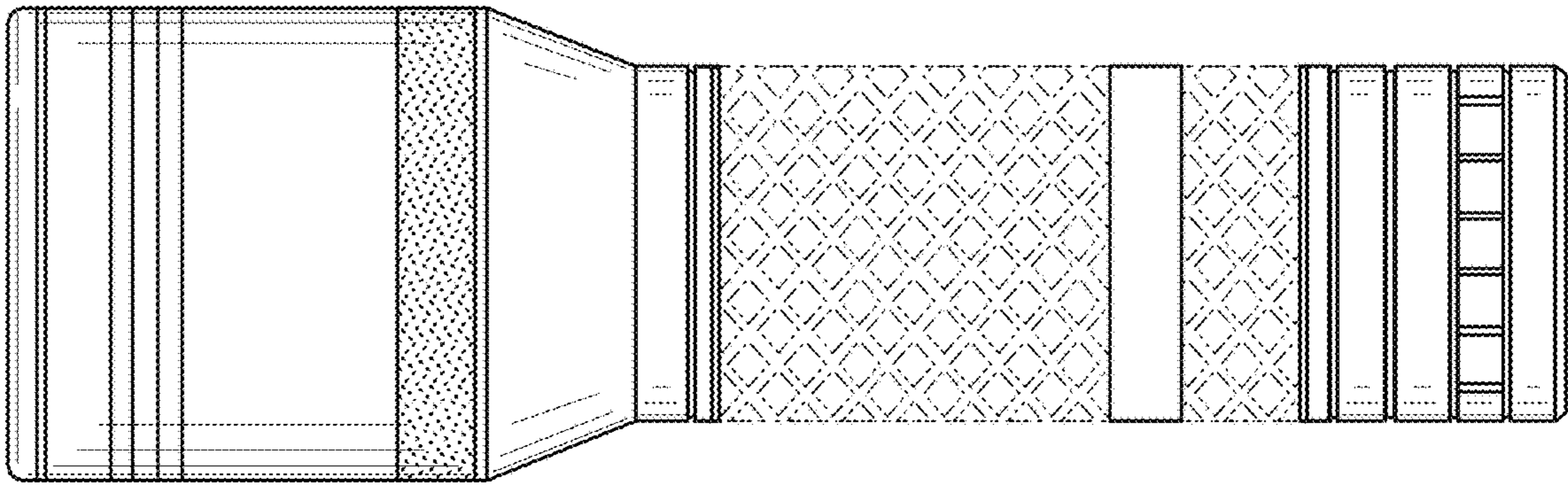


FIG. 5

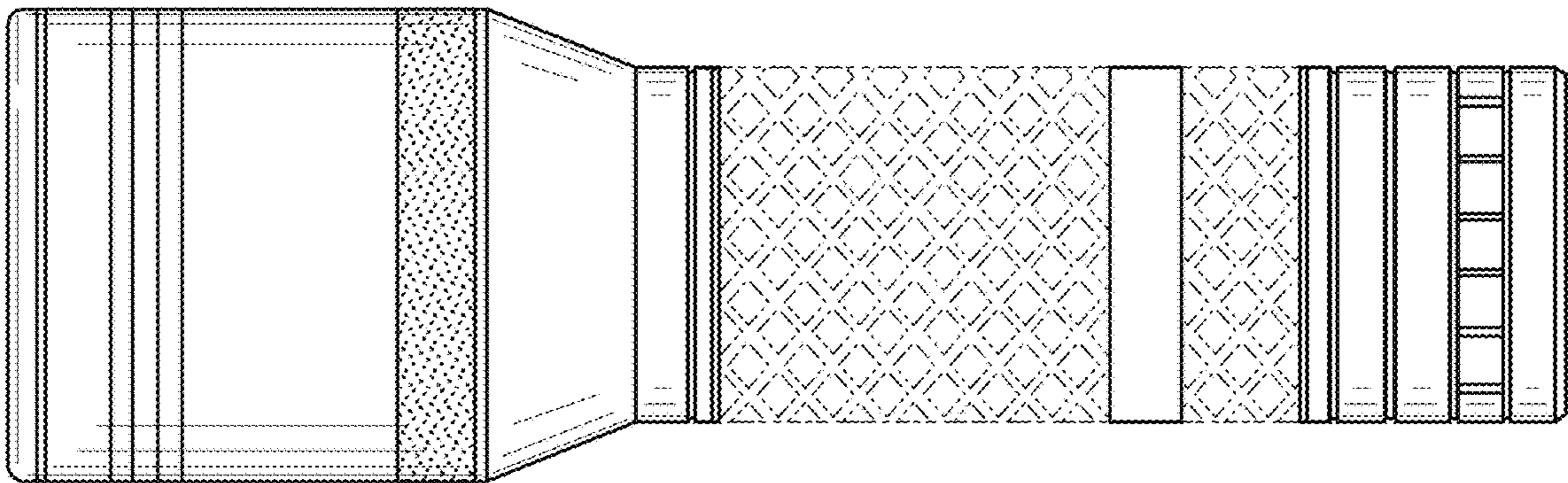


FIG. 6

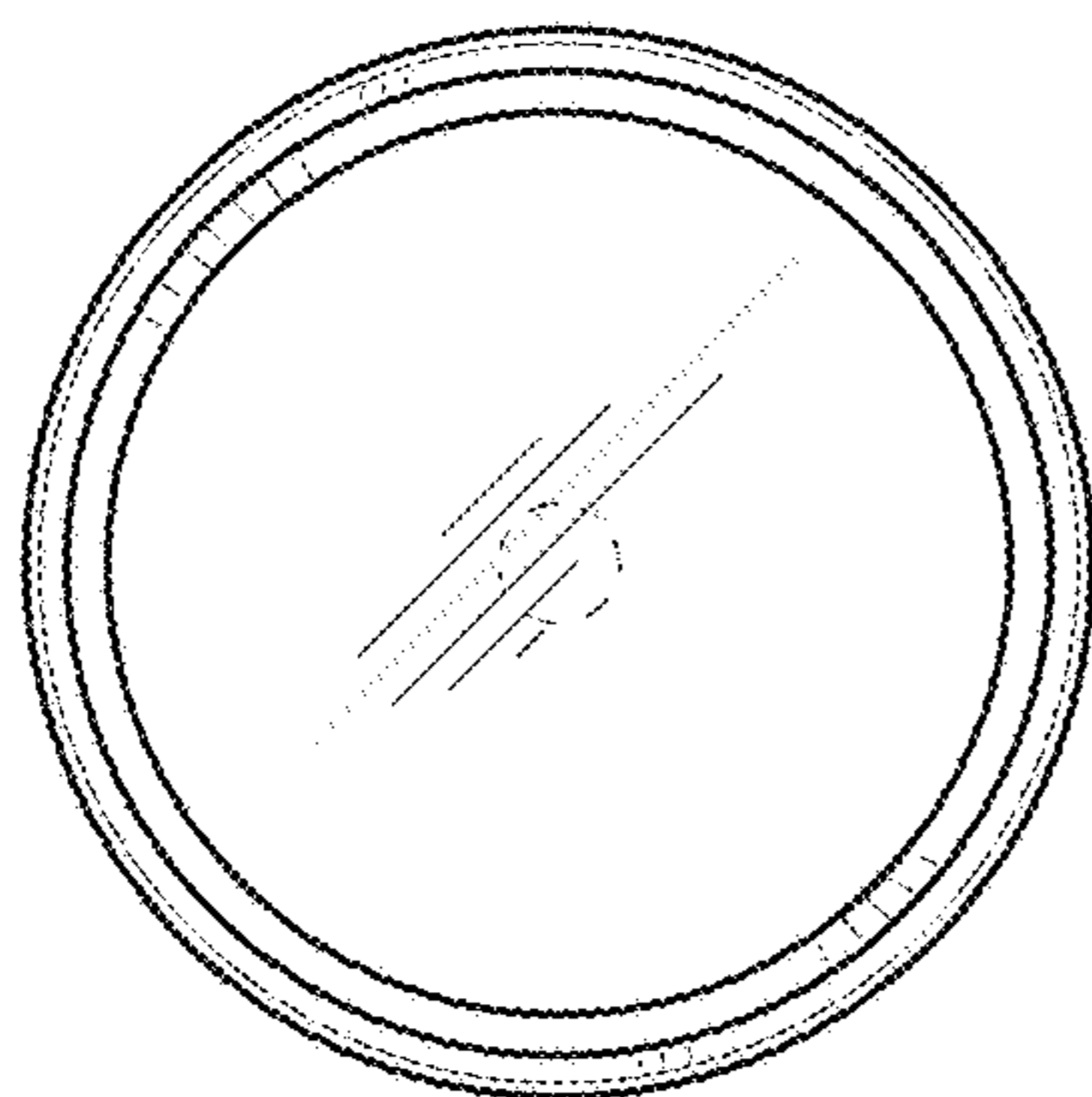


FIG. 7

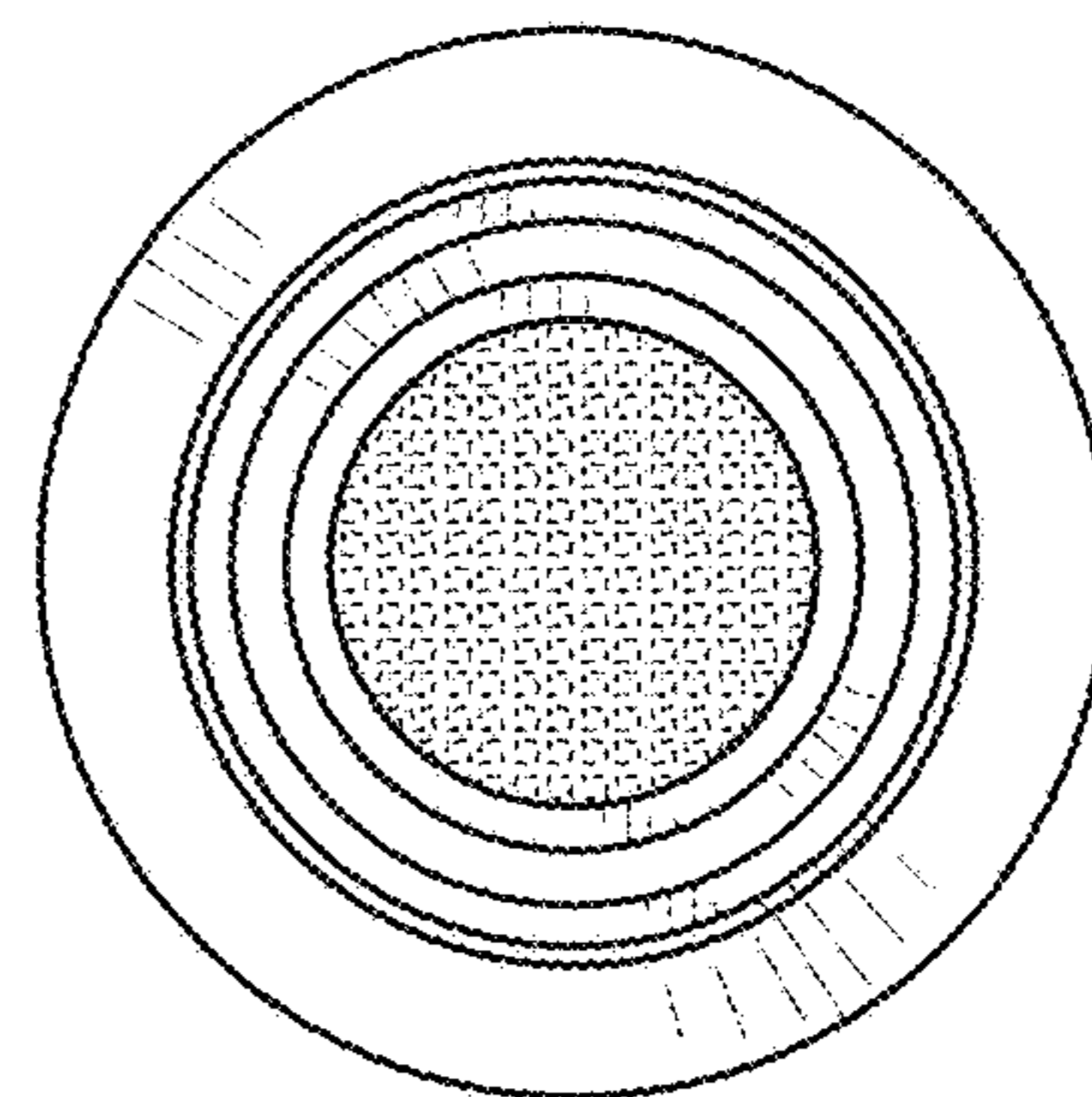


FIG. 8