



US00D794236S

(12) **United States Design Patent** (10) **Patent No.:** **US D794,236 S**  
**Kovacik et al.** (45) **Date of Patent:** **\*\* Aug. 8, 2017**

(54) **TASK LIGHT**

(71) Applicant: **Alert Stamping & Manufacturing Co., Inc.**, Bedford Heights, OH (US)

(72) Inventors: **James D. Kovacik**, Brecksville, OH (US); **Paul S. Blanch**, Broadview Heights, OH (US)

(73) Assignee: **Alert Stamping & Manufacturing Co., Ltd.**, Bedford Heights, OH (US)

(\*\*) Term: **15 Years**

(21) Appl. No.: **29/540,316**

(22) Filed: **Sep. 23, 2015**

(51) **LOC (10) Cl.** ..... **26-02**

(52) **U.S. Cl.**  
USPC ..... **D26/42**

(58) **Field of Classification Search**  
USPC ..... D26/37, 38, 40, 42, 46, 49, 51, 43, 61, D26/62  
CPC ..... F21L 2003/00; F21L 4/00; F21L 4/005; F21L 4/02; F21L 4/025; F21L 4/027; F21L 4/04; F21L 4/08; F21L 2005/00; F21L 7/00; F21L 11/00; F21L 13/00; F21L 13/04; F21L 13/08; F21L 14/02; F21L 17/00; F21L 19/00  
See application file for complete search history.

D505,217 S 5/2005 Bayat et al.  
D526,077 S 8/2006 Leen  
D538,457 S 3/2007 Kovacik et al.  
D567,978 S \* 4/2008 Jianwei ..... D26/42  
D596,326 S \* 7/2009 Jiang ..... D26/42  
D597,692 S \* 8/2009 Jiang ..... D26/42  
D626,672 S \* 11/2010 De Rubertis ..... D26/38  
D648,054 S \* 11/2011 Zhuang ..... D26/37  
D661,417 S \* 6/2012 Kung ..... D26/42  
D672,894 S \* 12/2012 Bayat ..... D26/42  
D691,310 S \* 10/2013 Zhou ..... D26/37  
D694,446 S \* 11/2013 Zhou ..... D26/42  
D698,959 S \* 2/2014 Shen ..... D26/46  
D711,027 S \* 8/2014 Kovacik ..... D26/37  
D722,717 S \* 2/2015 Wang ..... D26/51  
D724,246 S \* 3/2015 Hong ..... D26/37  
D750,303 S \* 2/2016 Levy ..... D26/37  
D757,971 S \* 5/2016 Kovacik ..... D26/37  
D757,972 S \* 5/2016 Caito ..... D26/42

\* cited by examiner

*Primary Examiner* — Lakiya Rogers  
*Assistant Examiner* — Carissa C Fitts  
(74) *Attorney, Agent, or Firm* — Shumaker Loop & Kendrick; William J. Clemens

(57) **CLAIM**

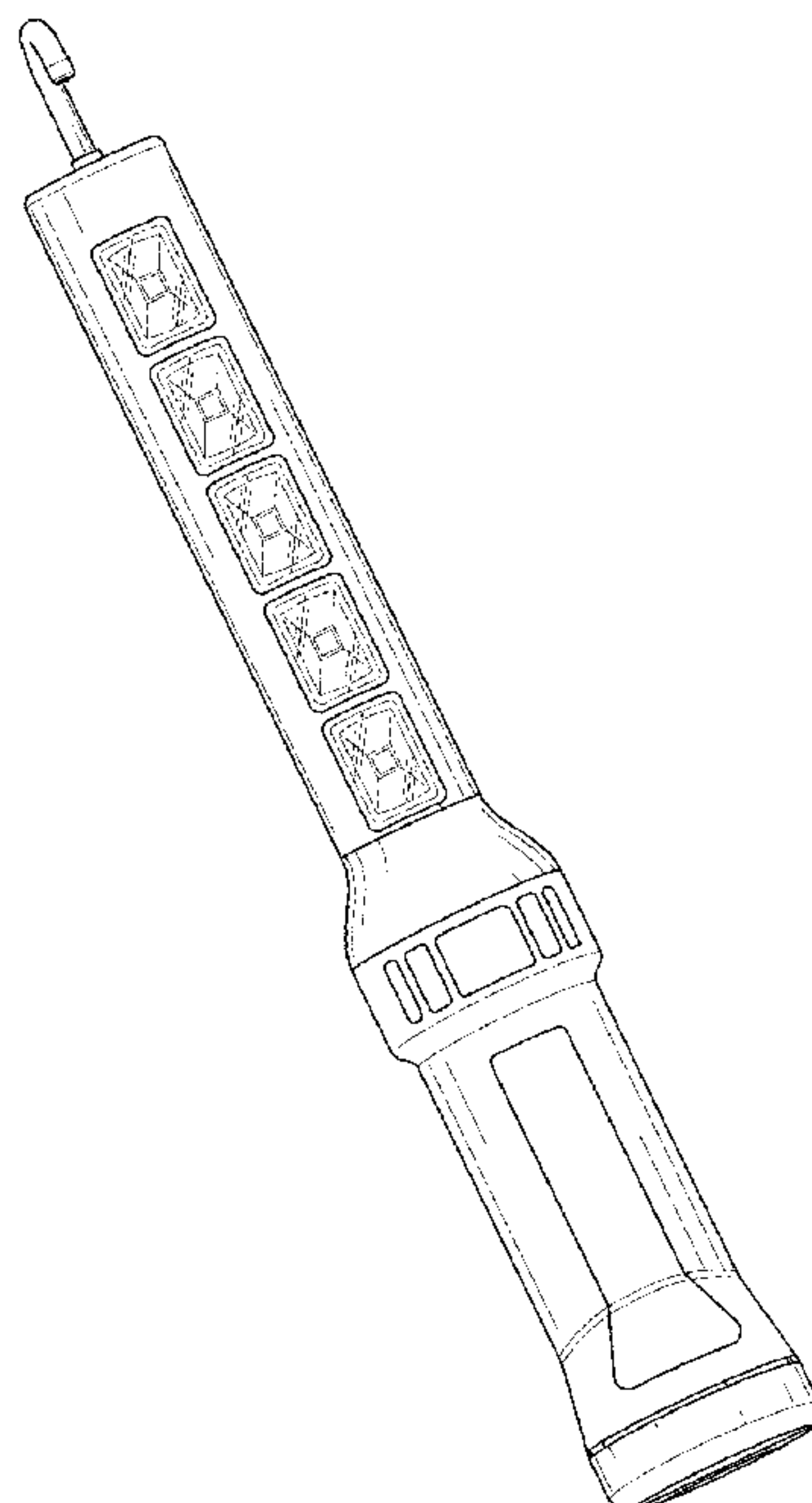
The ornamental design for a task light, as shown.

**DESCRIPTION**

FIG. 1 is a front perspective view of a task light showing our new design;  
FIG. 2 is a rear perspective view thereof;  
FIG. 3 is a front elevation view thereof;  
FIG. 4 is a rear elevation view thereof; and,  
FIG. 5 is a right side elevation view thereof, the left side elevation view being a mirror image.

**1 Claim, 3 Drawing Sheets**

(56) **References Cited**  
U.S. PATENT DOCUMENTS  
D367,123 S 2/1996 Blye  
5,528,477 A 6/1996 Carmo  
D439,354 S 3/2001 Yuen  
D502,276 S \* 2/2005 Kovacik ..... D26/44



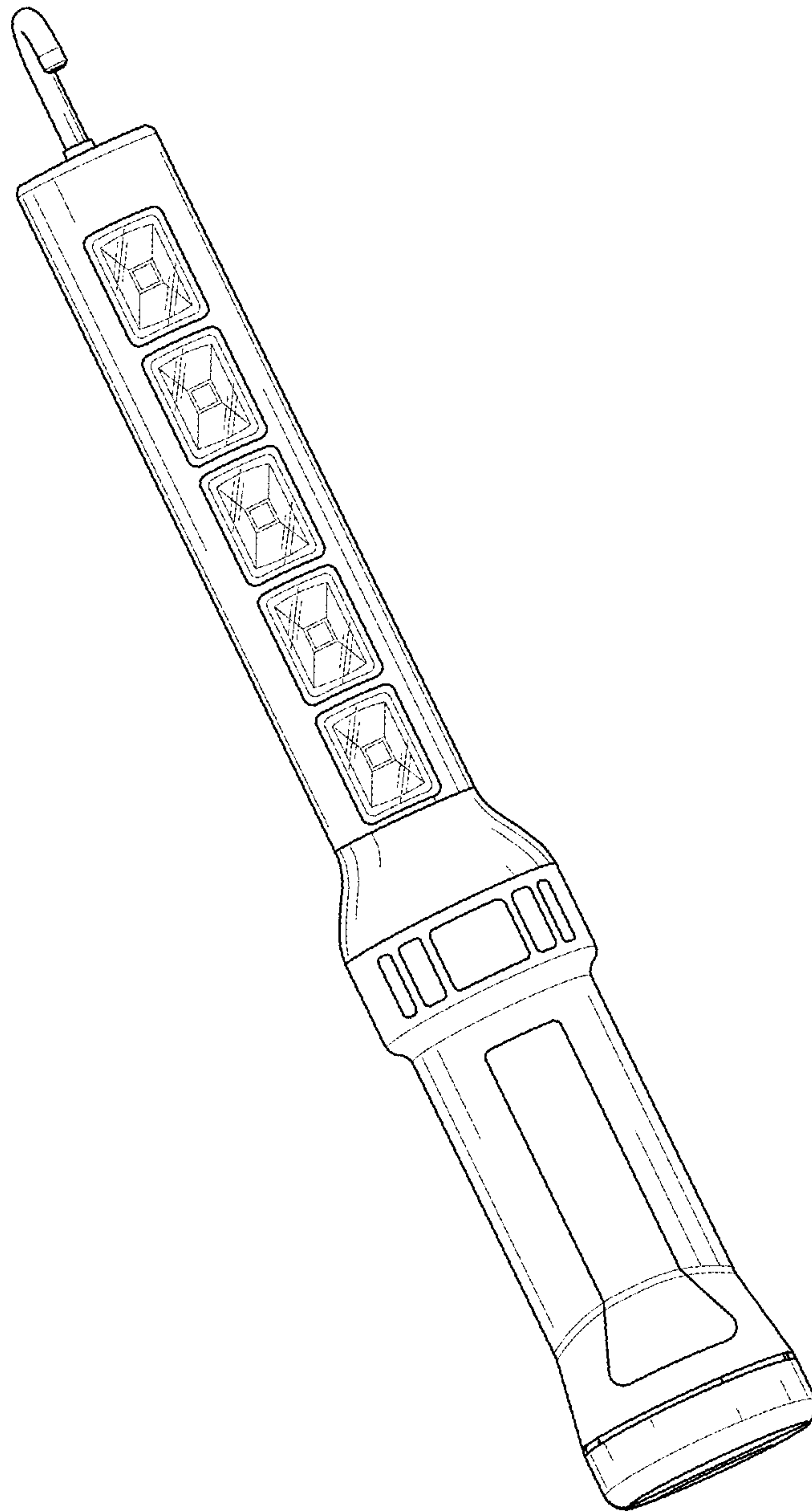


FIG. 1

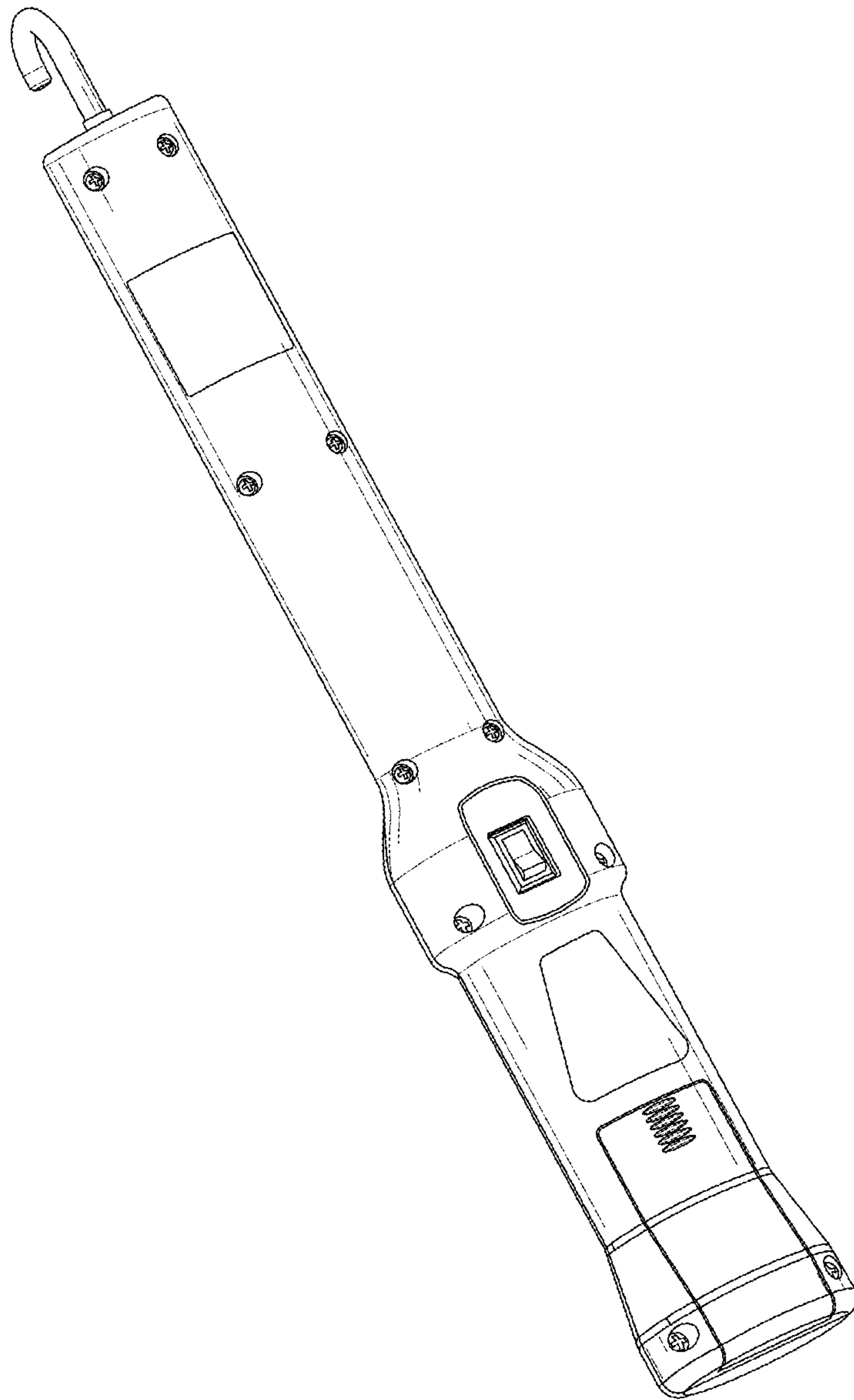


FIG. 2

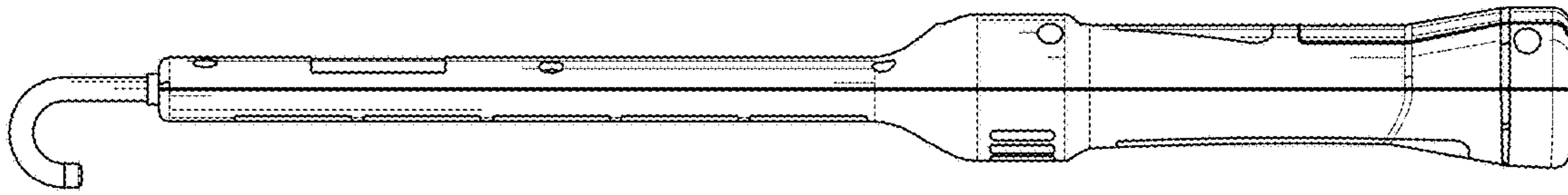


FIG. 5

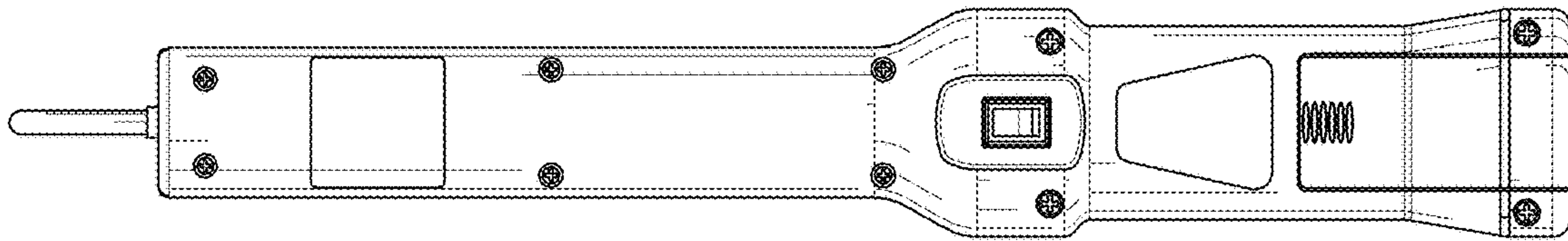


FIG. 4

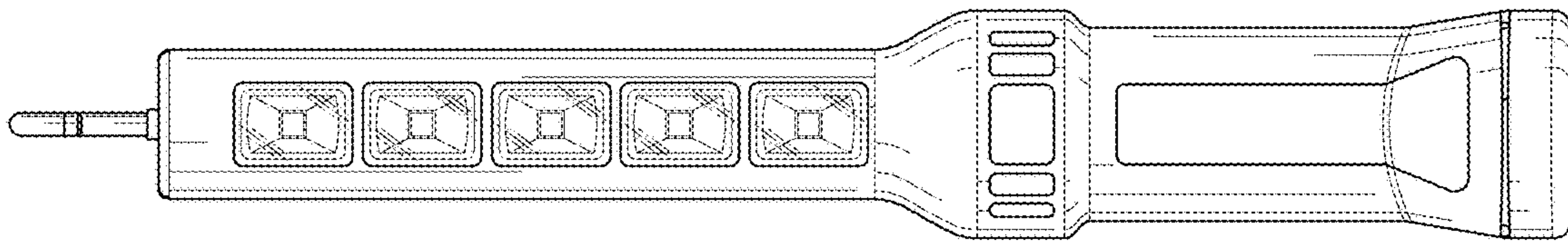


FIG. 3