



US00D794235S

(12) **United States Design Patent** (10) **Patent No.:** **US D794,235 S**
Green (45) **Date of Patent:** **** Aug. 8, 2017**

- (54) **LANTERN**
- (71) Applicant: **Home Depot Product Authority, LLC**,
Atlanta, GA (US)
- (72) Inventor: **Adam Green**, Atlanta, GA (US)
- (73) Assignee: **Home Depot Product Authority, LLC**,
Atlanta, GA (US)
- (**) Term: **15 Years**
- (21) Appl. No.: **29/556,199**
- (22) Filed: **Feb. 29, 2016**

D610,283 S 2/2010 Loibl
 D611,630 S * 3/2010 Chan D26/40
 D617,480 S * 6/2010 DeBrunner D26/40
 (Continued)

OTHER PUBLICATIONS

Office Action Received in Mexican Counterpart Application No. MX/f/2015/000572, dated Jun. 28, 2016 (1 page).

Primary Examiner — Sandra Morris
(74) *Attorney, Agent, or Firm* — Greenberg Traurig, LLP

(57) **CLAIM**

The ornamental design for a lantern, as shown and described.

DESCRIPTION

FIG. 1 is a perspective view of a first embodiment of my lantern;
 FIG. 2 is front view thereof;
 FIG. 3 is a left side view thereof, the right side being a mirror image thereof;
 FIG. 4 is a back view thereof;
 FIG. 5 is a top view thereof;
 FIG. 6 is a perspective view of a second embodiment of my lantern, in which only a portion of the lantern of the first embodiment is shown in solid lines;
 FIG. 7 is a front view thereof;
 FIG. 8 is a left side view thereof, the right side being a mirror image thereof;
 FIG. 9 is a back view thereof; and,
 FIG. 10 is a top view thereof.

The oblique lines on the lens of my lantern indicate that the lens is at least translucent and may be transparent. The dashed lines in the figures form no part of the claimed design. All other surface(s) or portion(s) of my lantern not shown in the figures or otherwise described in the specification, such as the bottom thereof and such as the location behind the lens as well as the thickness of the lens, form no part of the claimed design.

1 Claim, 10 Drawing Sheets

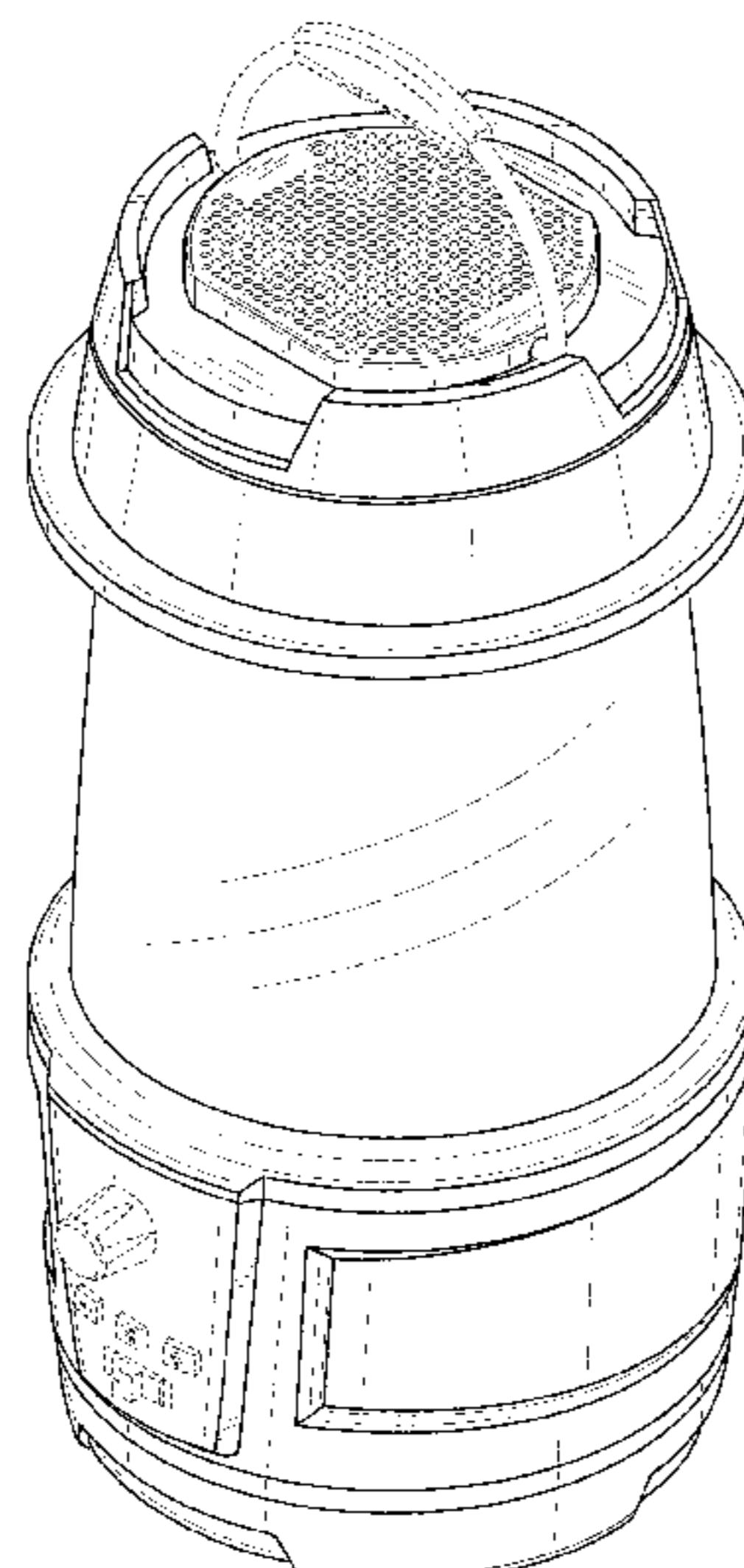
Related U.S. Application Data

- (62) Division of application No. 29/500,255, filed on Aug. 22, 2014, now Pat. No. Des. 754,379.
- (51) **LOC (10) Cl.** **26-02**
- (52) **U.S. Cl.**
USPC **D26/40**
- (58) **Field of Classification Search**
USPC D26/37-51, 56-60, 67, 113;
362/103-105, 184, 194-196, 202-206
CPC ... F21L 4/00; F21L 4/022; F21L 4/025; F21L 4/027; F21L 7/00; F21L 19/00; F21V 21/084; F21V 21/0085; F21W 2111/10
See application file for complete search history.

(56) **References Cited**

U.S. PATENT DOCUMENTS

- D416,343 S * 11/1999 Dalton D26/37
- D462,469 S * 9/2002 Poon D26/37
- D483,892 S * 12/2003 Poon D26/40
- D509,921 S * 9/2005 Lam D26/40
- D548,864 S * 8/2007 Lee D26/38
- D559,418 S * 1/2008 Poon D26/40
- D576,756 S * 9/2008 DeBrunner D26/40
- D604,436 S * 11/2009 Poon D26/40
- D608,920 S * 1/2010 Loibl D26/40



(56)

References Cited

U.S. PATENT DOCUMENTS

D650,104 S	*	12/2011	Brands	D26/41
D670,014 S	*	10/2012	Bertken	D26/40
D674,945 S	*	1/2013	Bertken	D26/40

* cited by examiner

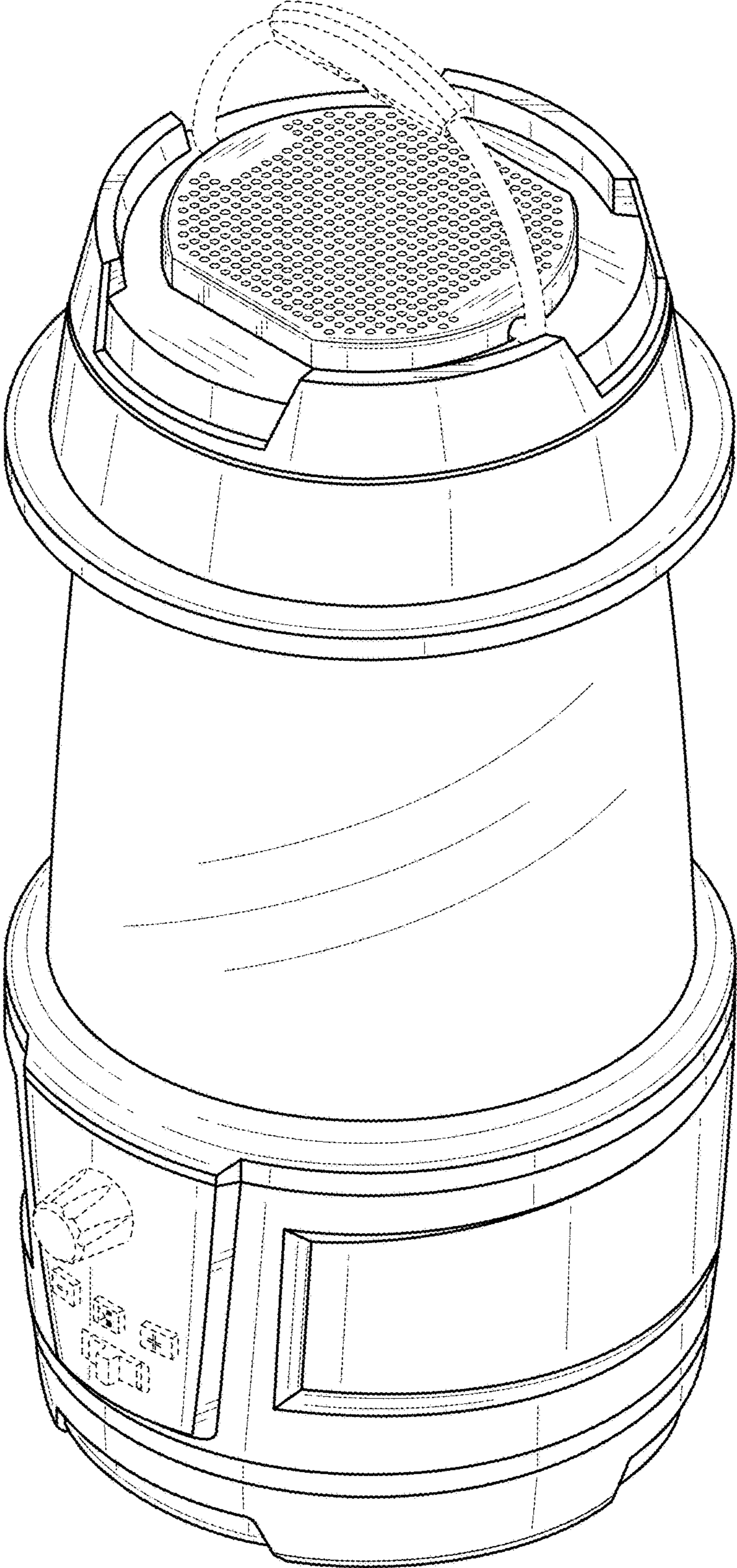


FIG. 1

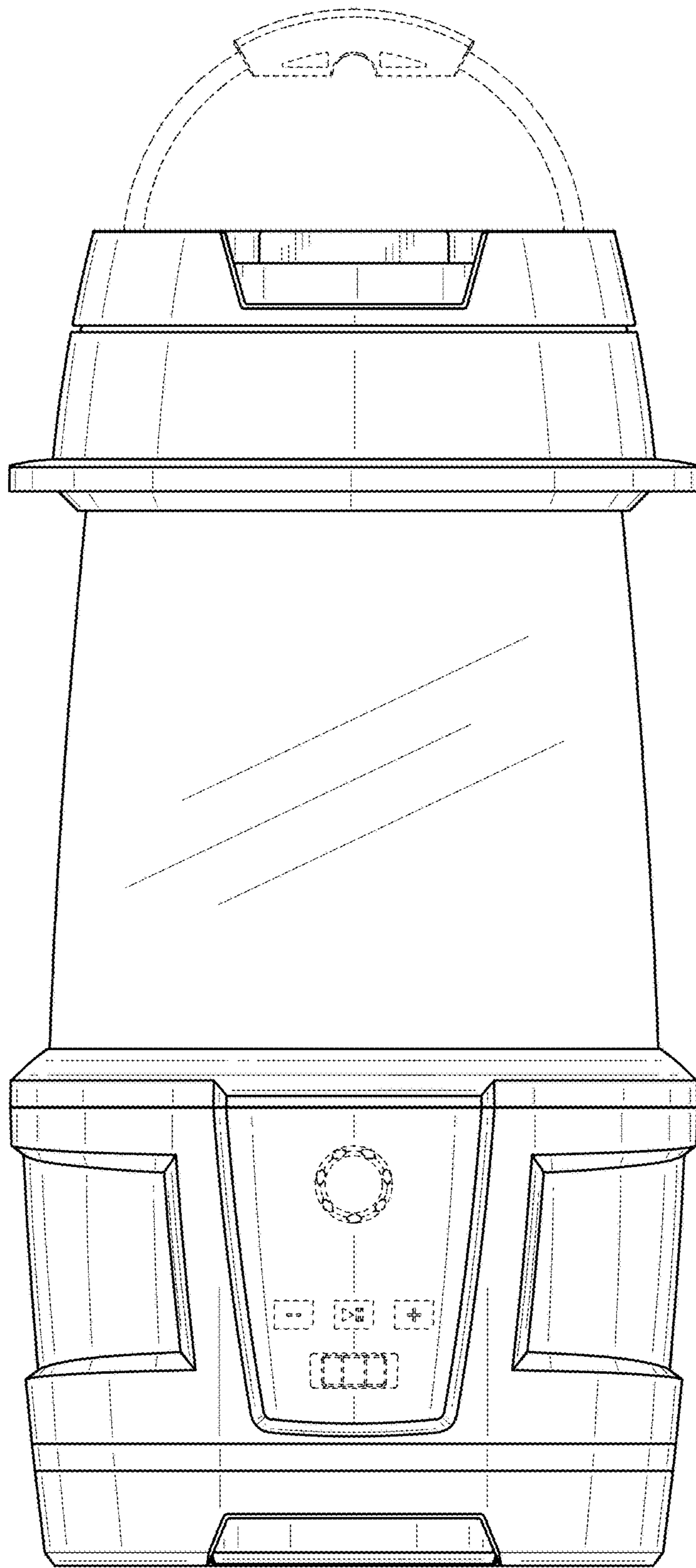


FIG. 2

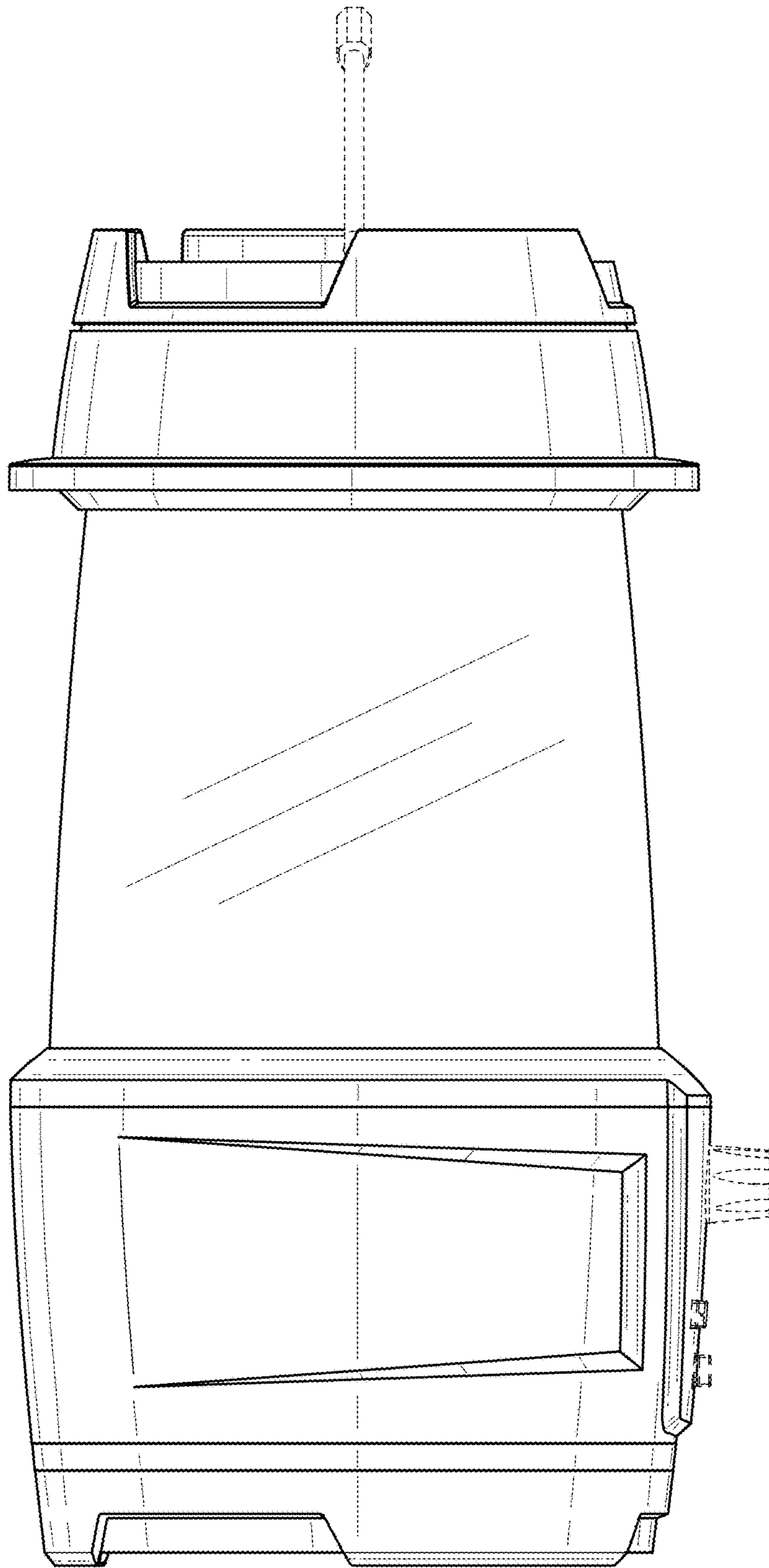


FIG. 3

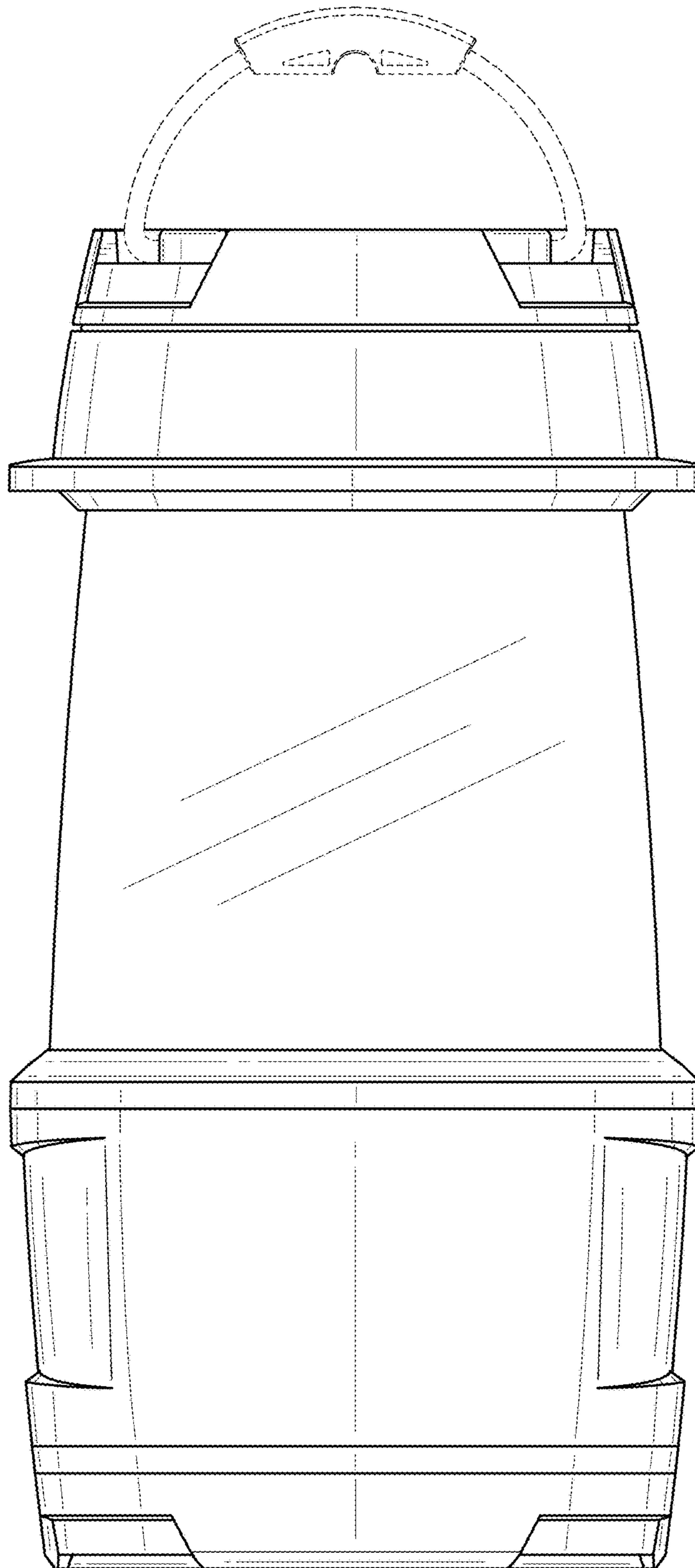


FIG. 4

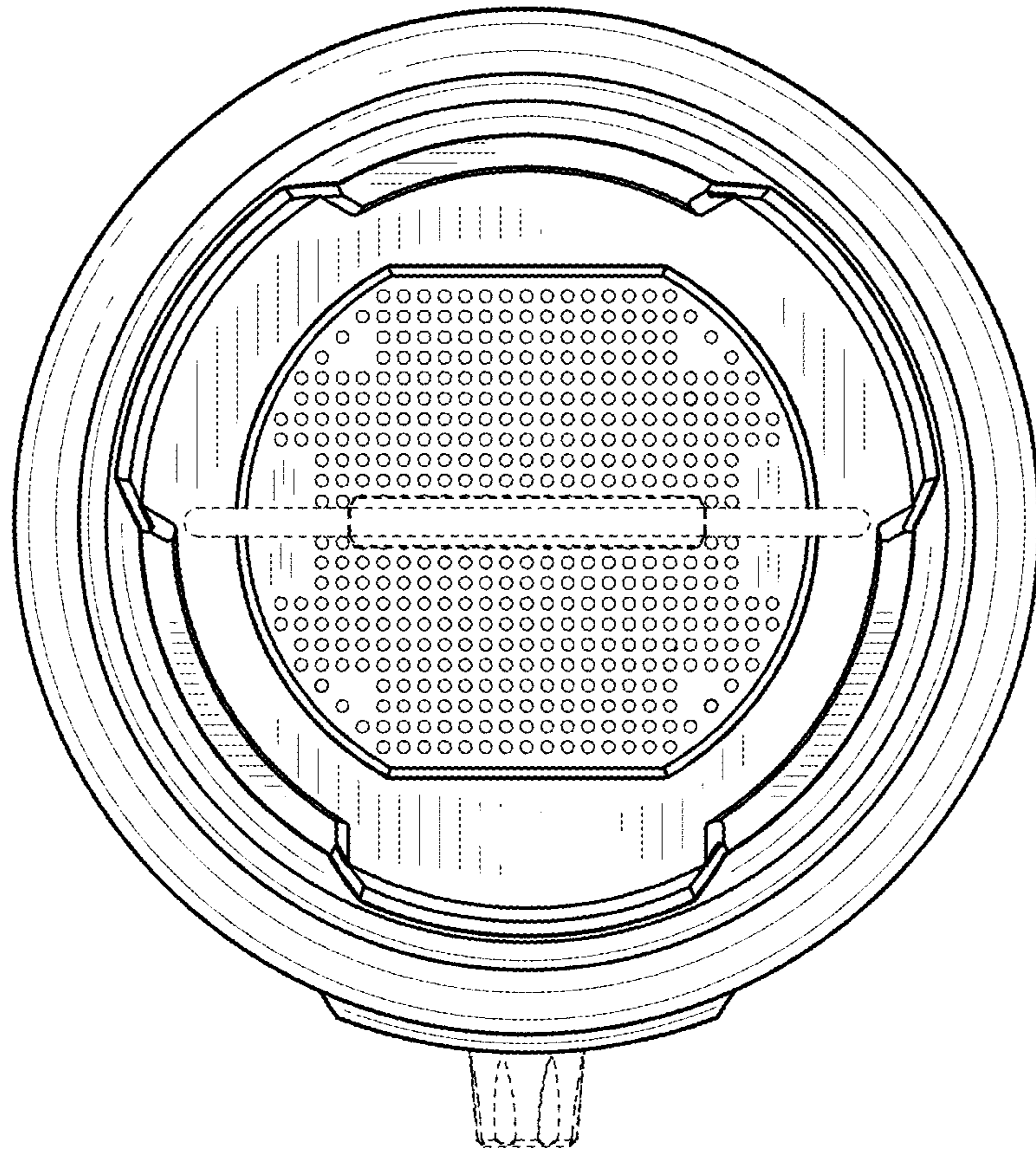


FIG. 5

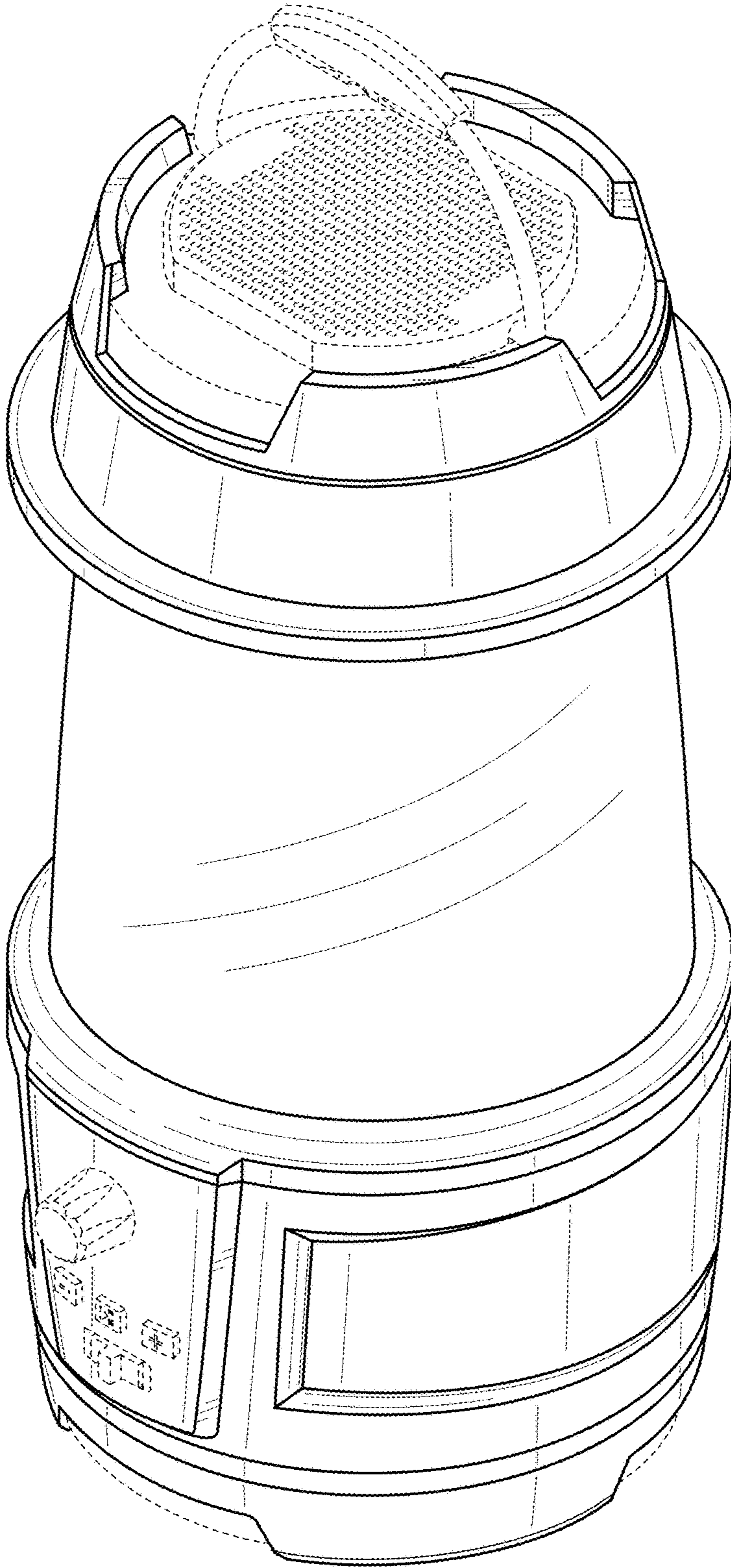


FIG. 6

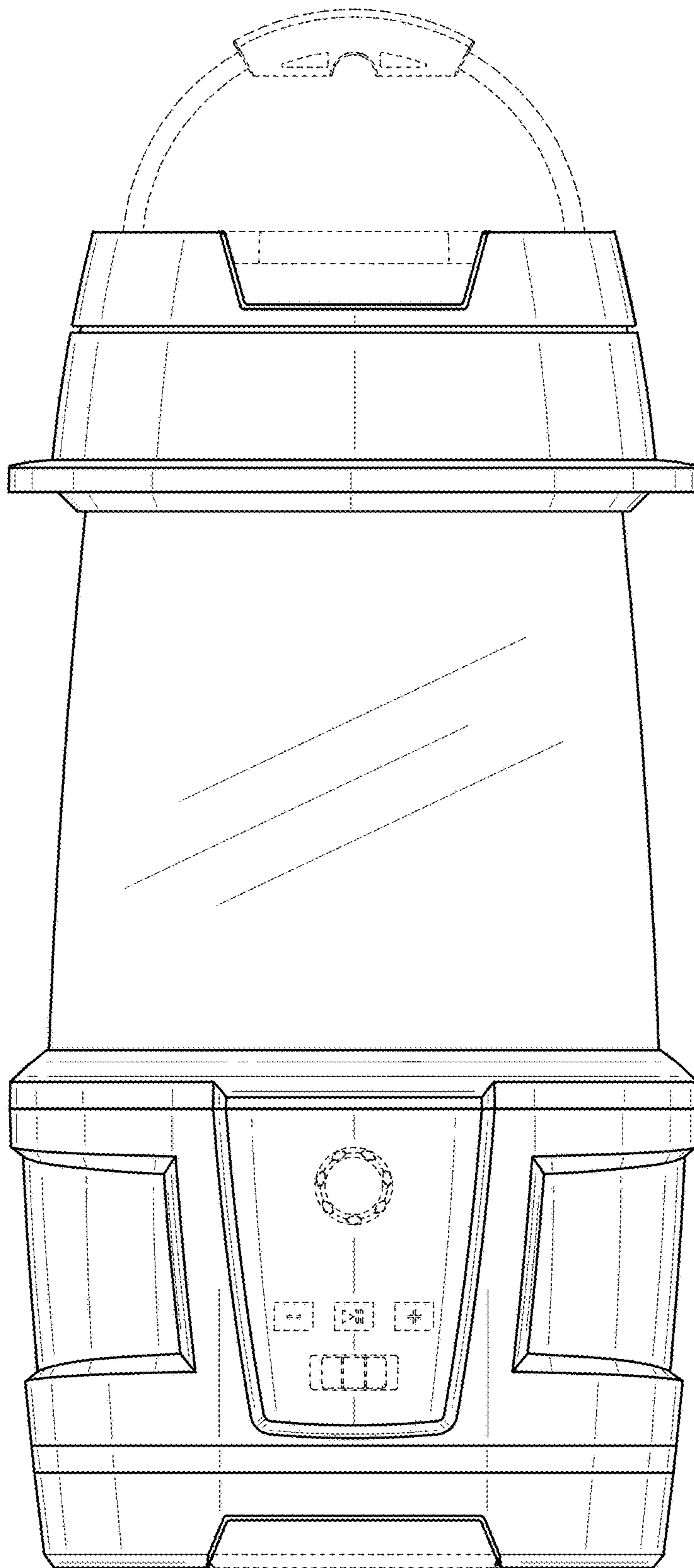


FIG. 7

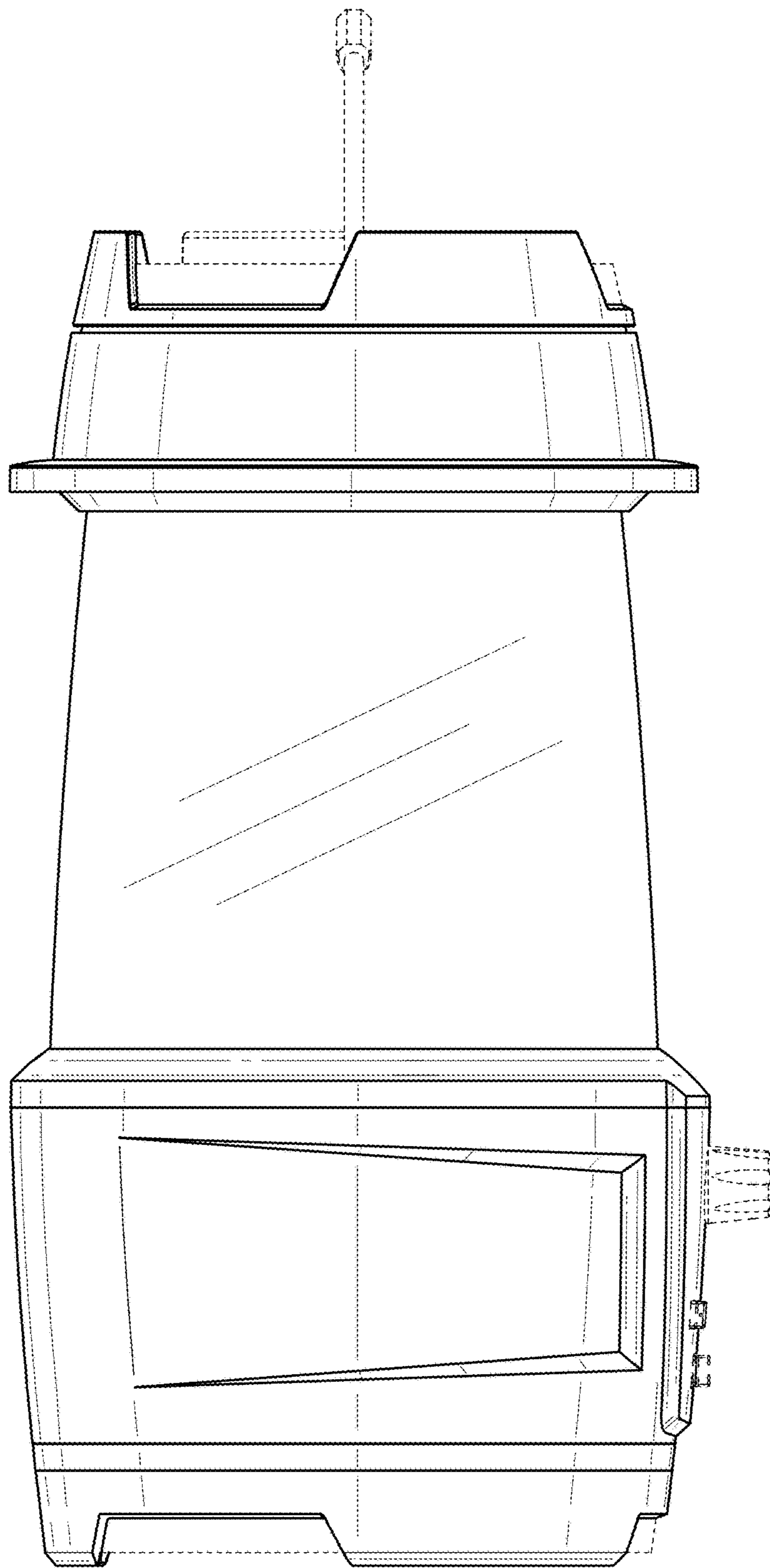


FIG. 8

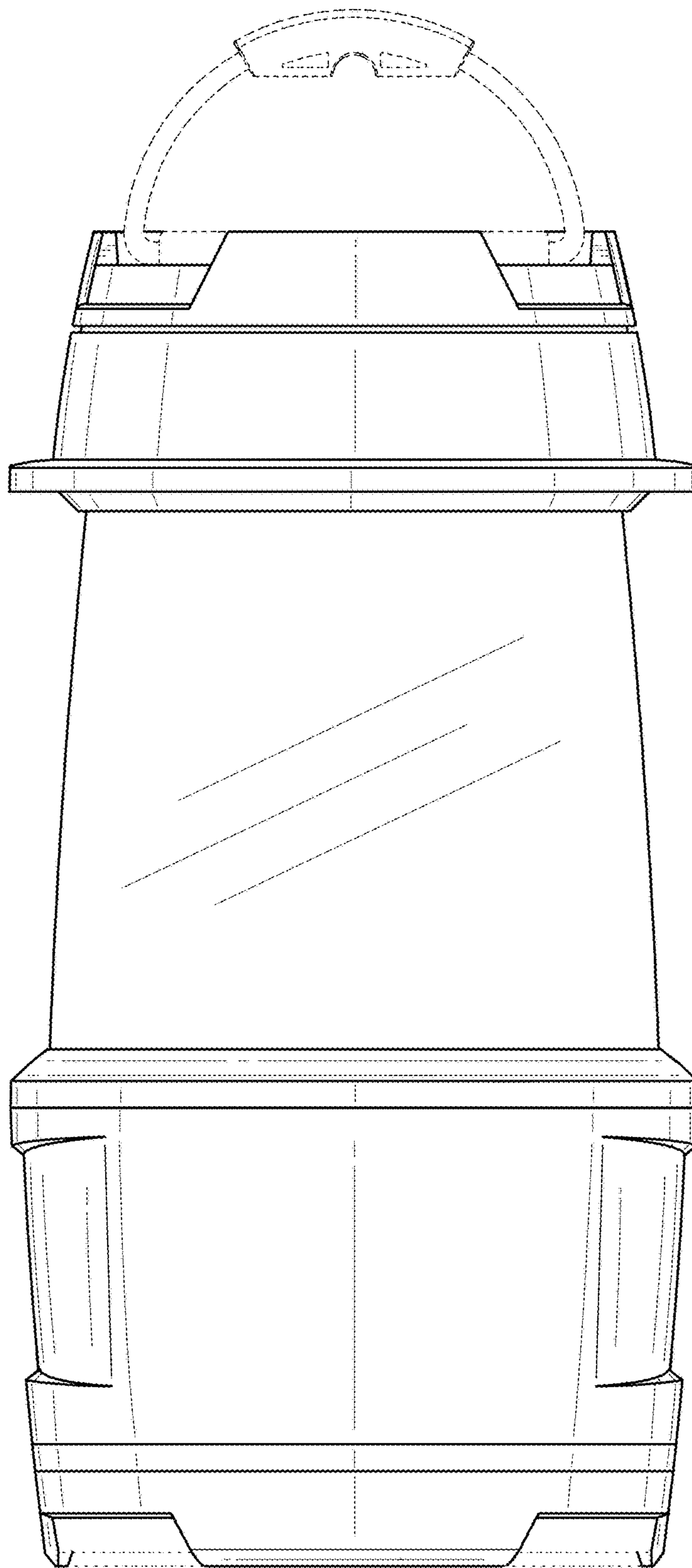


FIG. 9

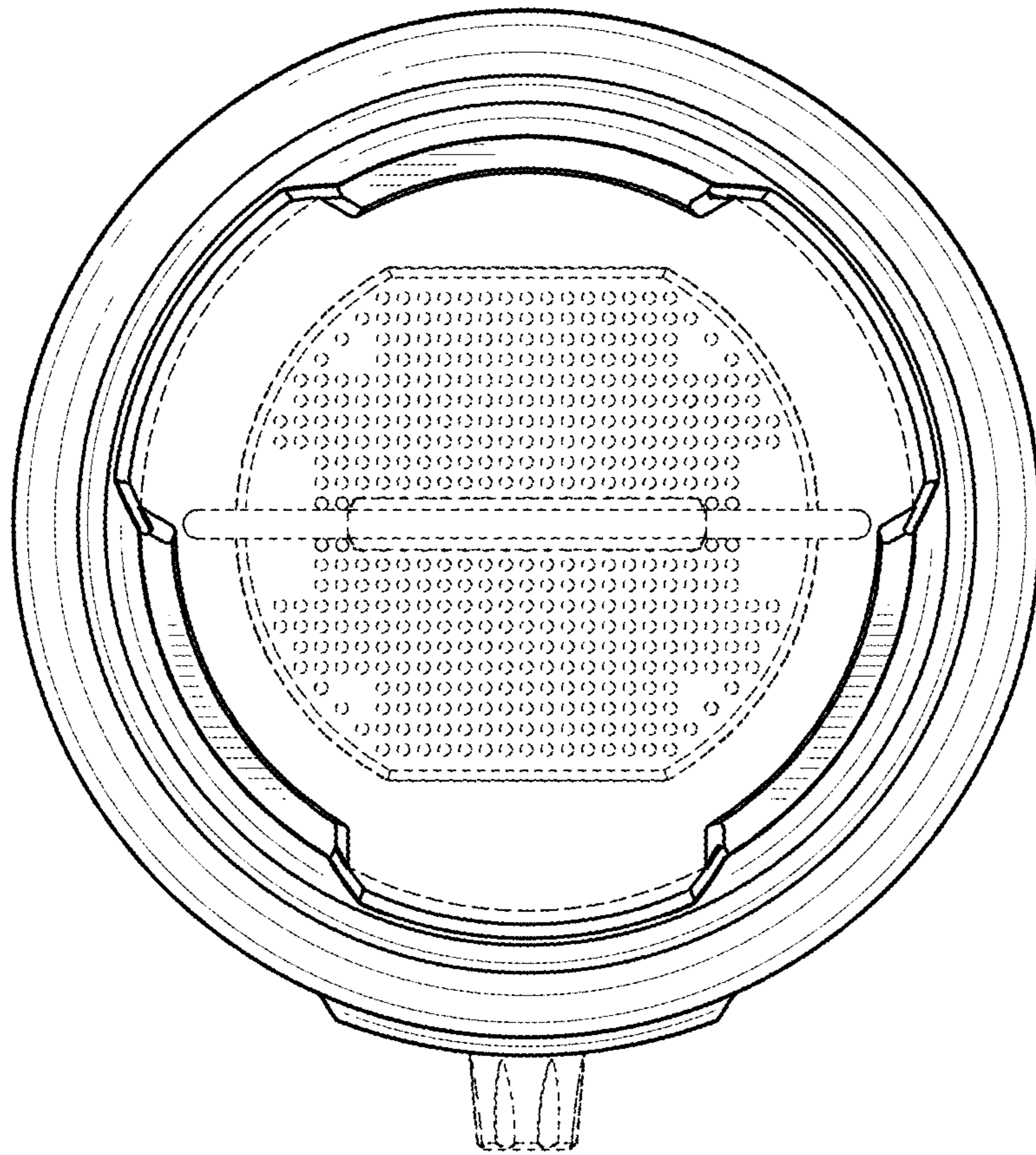


FIG. 10