



US00D794234S

(12) **United States Design Patent** (10) **Patent No.:** **US D794,234 S**
Levy et al. (45) **Date of Patent:** **** Aug. 8, 2017**

(54) **FLASHLIGHT**
(71) Applicant: **NAVAJO MANUFACTURING COMPANY, INC.**, Denver, CO (US)
(72) Inventors: **Gordon Levy**, Golden, CO (US); **Ming Shan**, Thornton, CO (US); **Shawn Shelton**, Highlands Ranch, CO (US)
(73) Assignee: **Navajo Manufacturing Company, Inc.**, Denver, CO (US)
(**) Term: **15 Years**
(21) Appl. No.: **29/555,430**
(22) Filed: **Feb. 22, 2016**

D538,457 S 3/2007 Kovacik et al.
D543,301 S 5/2007 Chen
7,220,012 B2 5/2007 Liu
D556,926 S 12/2007 Thirouin
7,325,944 B2 2/2008 Kovacik et al.
7,338,189 B2 3/2008 Kovacik et al.
D567,977 S 4/2008 Jianwei
D567,978 S 4/2008 Jianwei
7,517,107 B2 4/2009 Dallas et al.
D596,326 S 7/2009 Jiang
D631,178 S 1/2011 Kovacik et al.
8,033,681 B2 10/2011 Brass et al.
D648,054 S 11/2011 Zhuang
D651,731 S 1/2012 Xu
D661,417 S 6/2012 Kung
8,414,142 B2 4/2013 Tucker et al.
D691,310 S 10/2013 Zhou et al.
8,628,210 B2 1/2014 Tucker et al.
D708,376 S 7/2014 Crowe et al.
2007/0030672 A1 2/2007 Offiler et al.
2008/0174991 A1 7/2008 Tucker
2008/0304254 A1 12/2008 Canino et al.
2010/0254122 A1 10/2010 Bayat et al.

Related U.S. Application Data

(63) Continuation-in-part of application No. 29/502,582, filed on Sep. 17, 2014, now Pat. No. Des. 750,303.
(51) **LOC (10) Cl.** **26-02**
(52) **U.S. Cl.**
USPC **D26/37**
(58) **Field of Classification Search**
USPC D26/37-51, 56-60, 67; 362/103-105, 362/184, 194-196, 202-206; D22/117
CPC ... F21L 4/00; F21L 4/005; F21L 4/022; F21L 4/025; F21L 4/027; F21L 7/00; F21L 19/00; F21V 21/084; F21V 21/0085; F21W 2111/10
See application file for complete search history.

Primary Examiner — Sandra Morris
(74) *Attorney, Agent, or Firm* — Studebaker & Brackett PC

(57) **CLAIM**

The ornamental design for a flashlight, as shown and described.

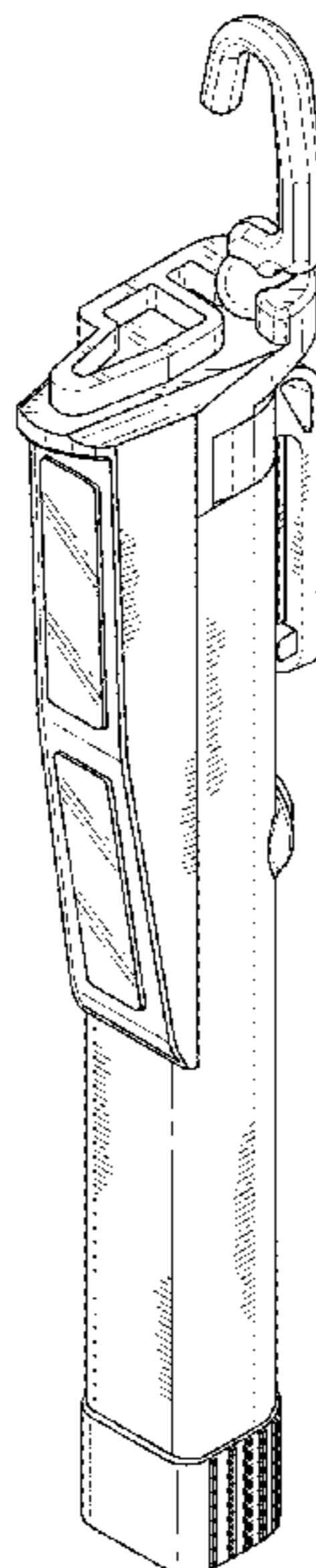
DESCRIPTION

FIG. 1 is a perspective view showing our new design for a flashlight,
FIG. 2 is a front view thereof
FIG. 3 is a rear view thereof,
FIG. 4 is a left side view thereof,
FIG. 5 is a right side view thereof,
FIG. 6 is a top view thereof; and,
FIG. 7 is a bottom view thereof.

(56) **References Cited**
U.S. PATENT DOCUMENTS

5,190,369 A 3/1993 Pace
5,568,968 A 10/1996 Jaramillo
D505,217 S 5/2005 Bayat et al.
7,108,403 B1 9/2006 Walters et al.

1 Claim, 3 Drawing Sheets



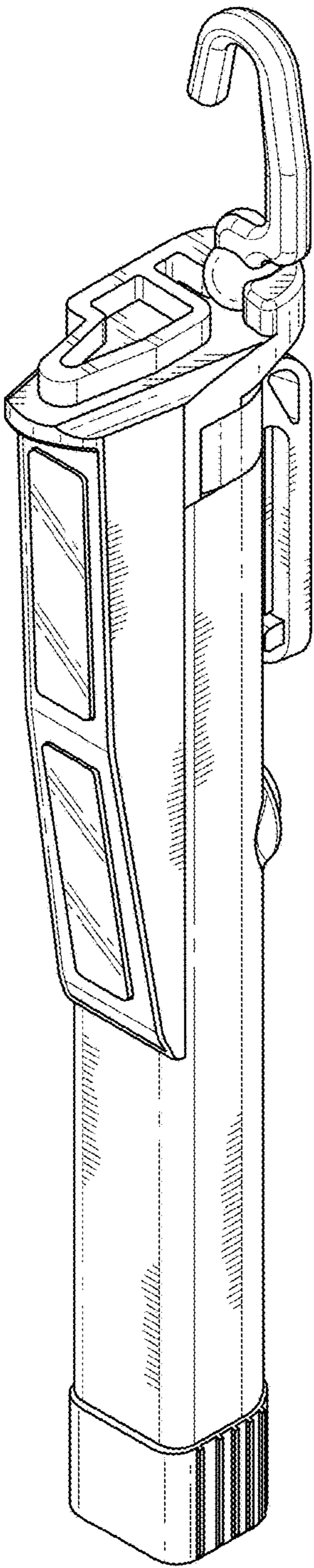


FIG. 1

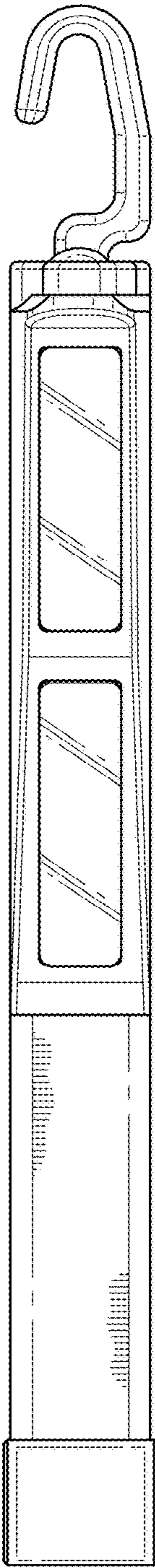


FIG. 2

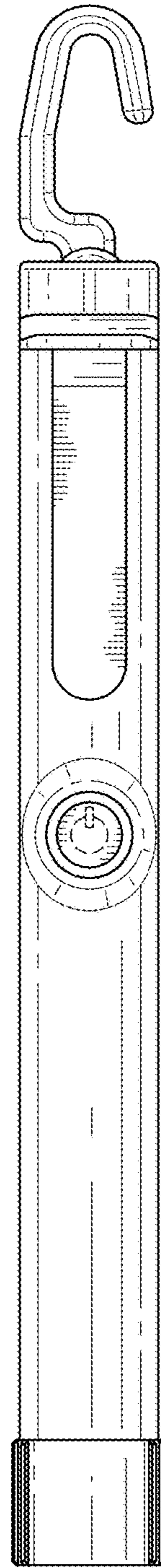


FIG. 3

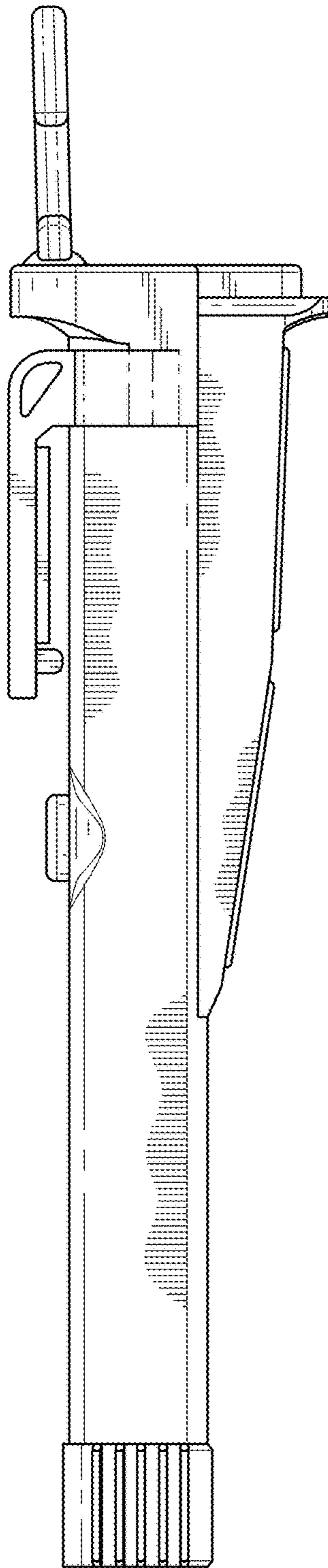


FIG. 4

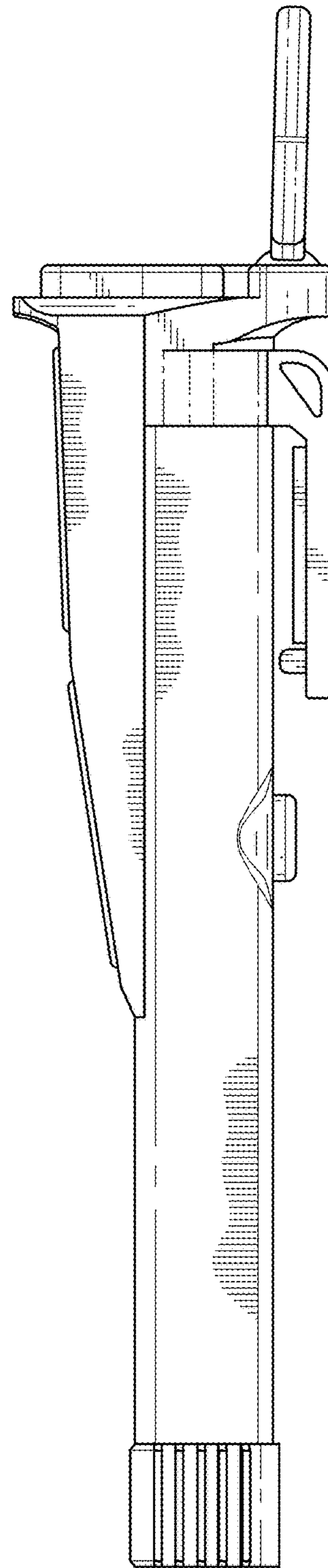


FIG. 5

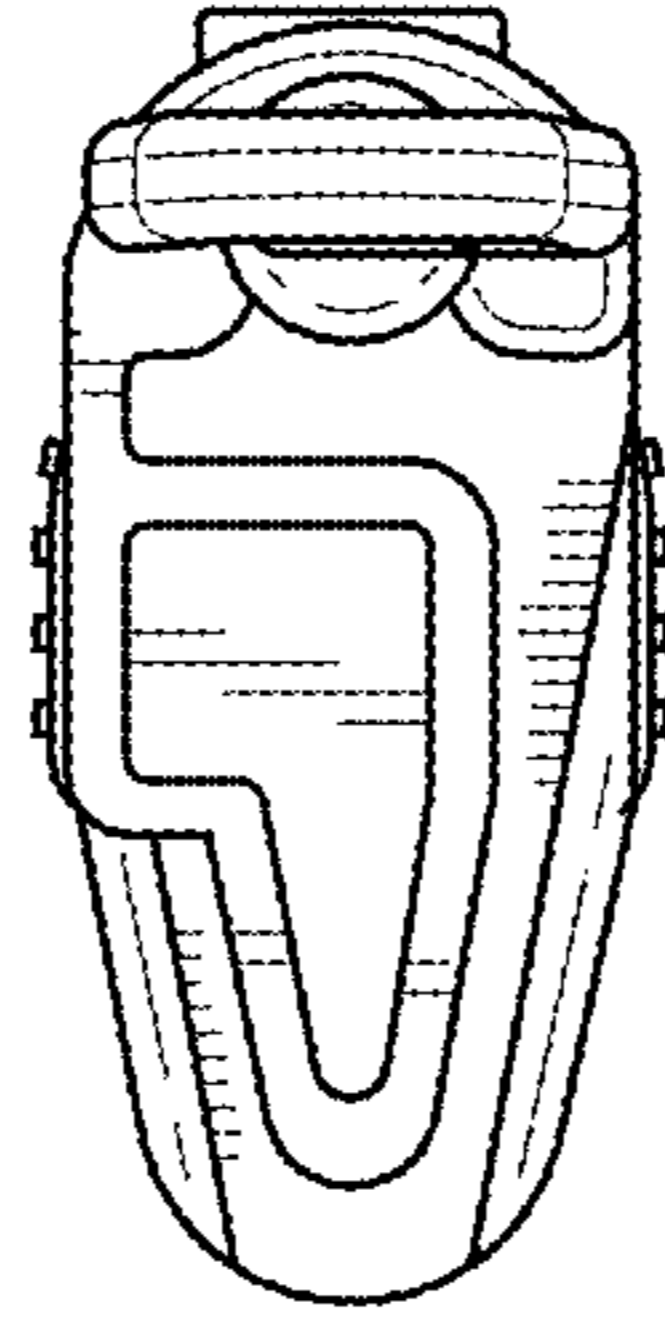


FIG. 6

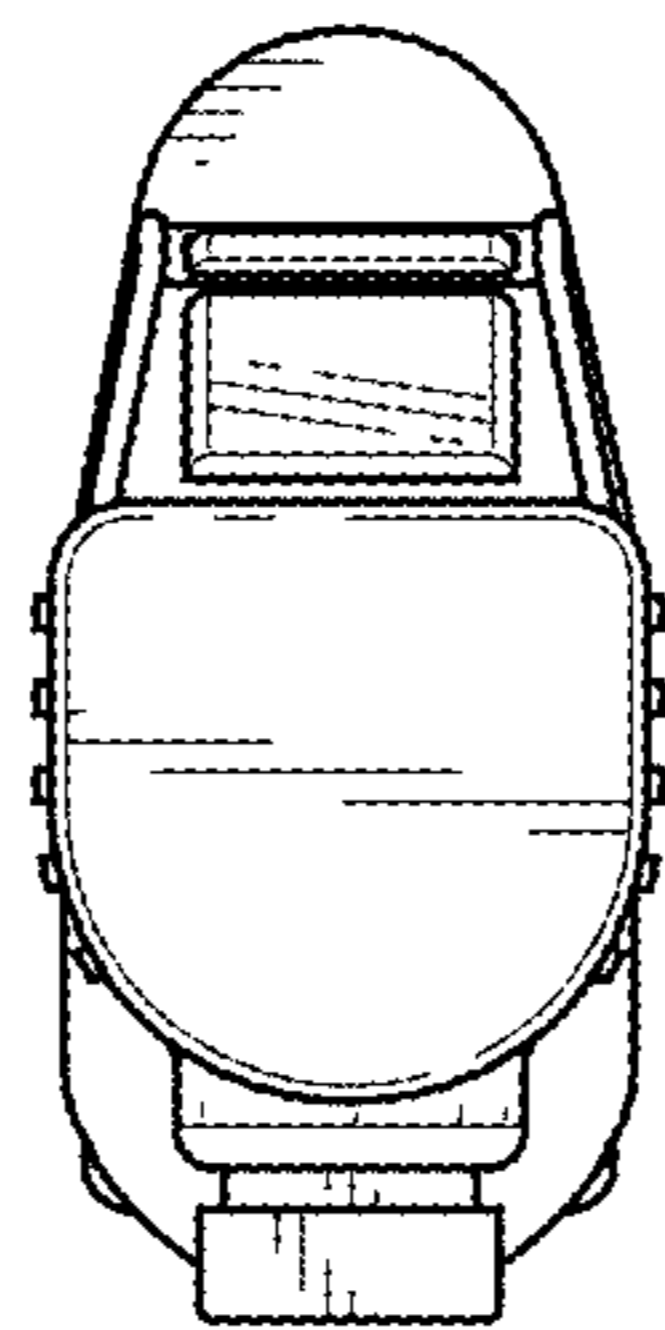


FIG. 7