



US00D794233S

(12) **United States Design Patent** (10) **Patent No.:** **US D794,233 S**  
**Chen et al.** (45) **Date of Patent:** **\*\* Aug. 8, 2017**

(54) **VEHICLE LAMP**

(71) Applicants: **Wei-Tso Chen**, Tainan (TW);  
**Hsi-Hsien Tsai**, Tainan (TW);  
**Kuo-Yang Yeh**, Tainan (TW)

(72) Inventors: **Wei-Tso Chen**, Tainan (TW);  
**Hsi-Hsien Tsai**, Tainan (TW);  
**Kuo-Yang Yeh**, Tainan (TW)

(73) Assignee: **LUCIDITY ENTERPRISE CO., LTD.**, Annan District, Tainan (TW)

(\*\*) Term: **15 Years**

(21) Appl. No.: **29/570,057**

(22) Filed: **Jul. 5, 2016**

(51) **LOC (10) Cl.** ..... **26-06**

(52) **U.S. Cl.**  
USPC ..... **D26/31**

(58) **Field of Classification Search**  
USPC ..... D26/28-36; 362/80-83, 267-269,  
362/459-468, 475-478, 485-487  
CPC ..... F21S 48/00; F21S 48/10; F21S 48/115;  
F21S 48/1233; F21S 48/1266; F21S  
48/1388; F21S 48/2268; F21V 21/04;  
B60C 9/13; B60C 9/135; B60C 9/1375  
See application file for complete search history.

(56) **References Cited**

U.S. PATENT DOCUMENTS

D527,475 S \* 8/2006 Hall ..... D26/31  
D564,110 S \* 3/2008 Huang ..... D26/31  
D603,536 S \* 11/2009 Tsai ..... D26/31

\* cited by examiner

*Primary Examiner* — Marcus Jackson

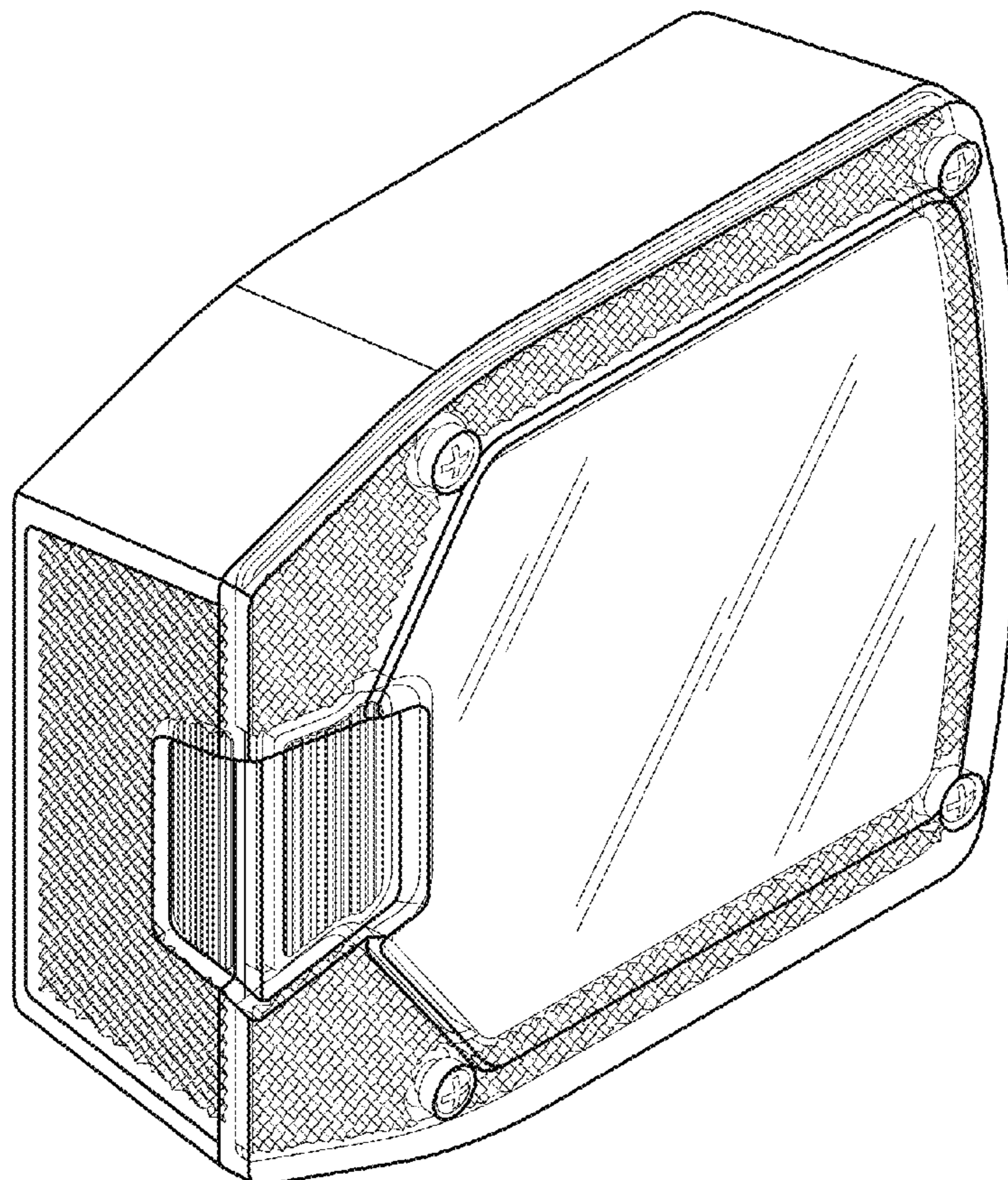
(57) **CLAIM**

The ornamental design for a vehicle lamp, as shown and described.

**DESCRIPTION**

FIG. 1 is a perspective view of a vehicle lamp showing my design;  
FIG. 2 is a front elevational view thereof;  
FIG. 3 is a rear elevational view thereof;  
FIG. 4 is a left side elevational view thereof;  
FIG. 5 is a right side elevational view thereof;  
FIG. 6 is a top plan view thereof; and,  
FIG. 7 is a bottom plan view.

**1 Claim, 7 Drawing Sheets**



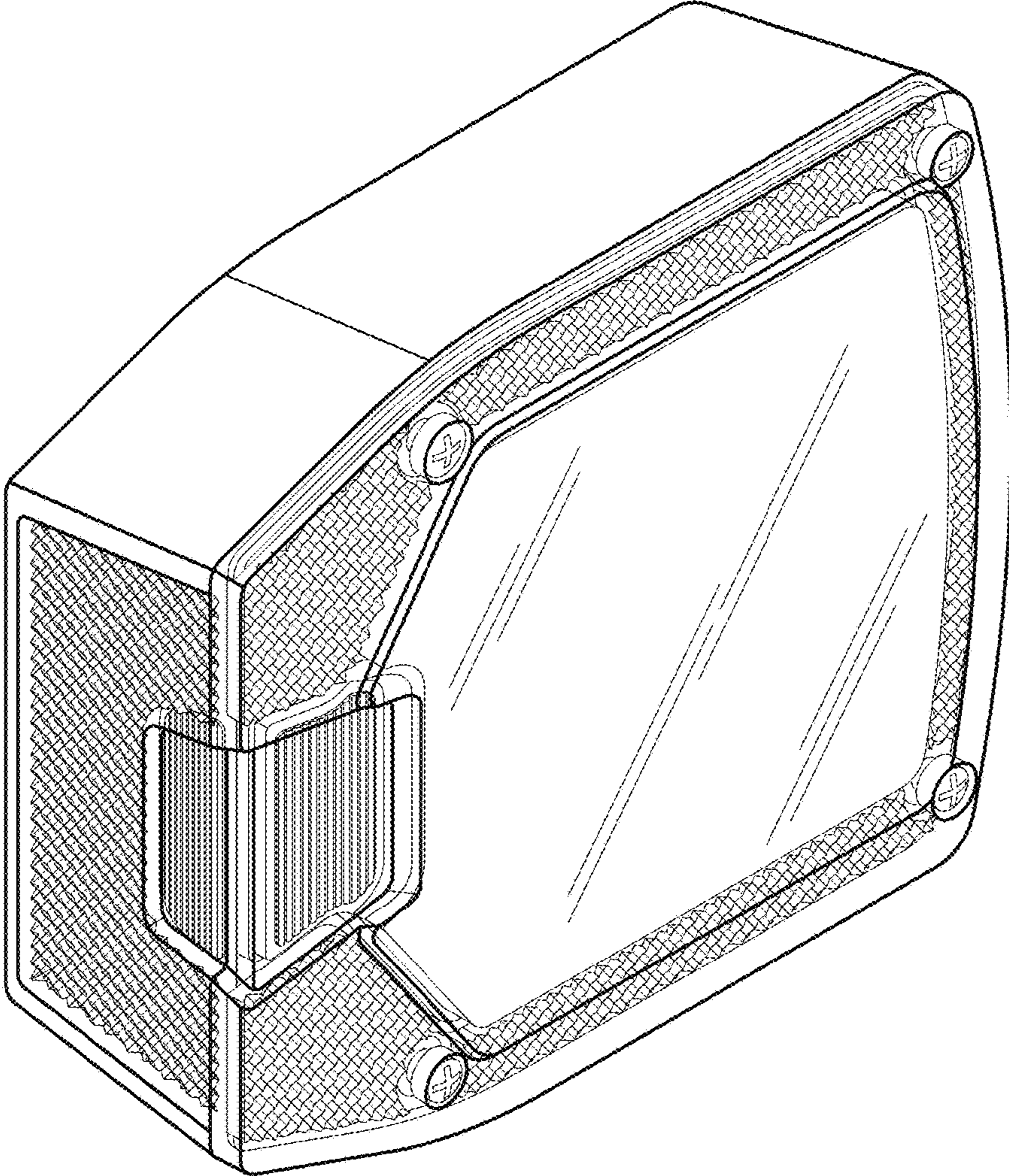


FIG.1

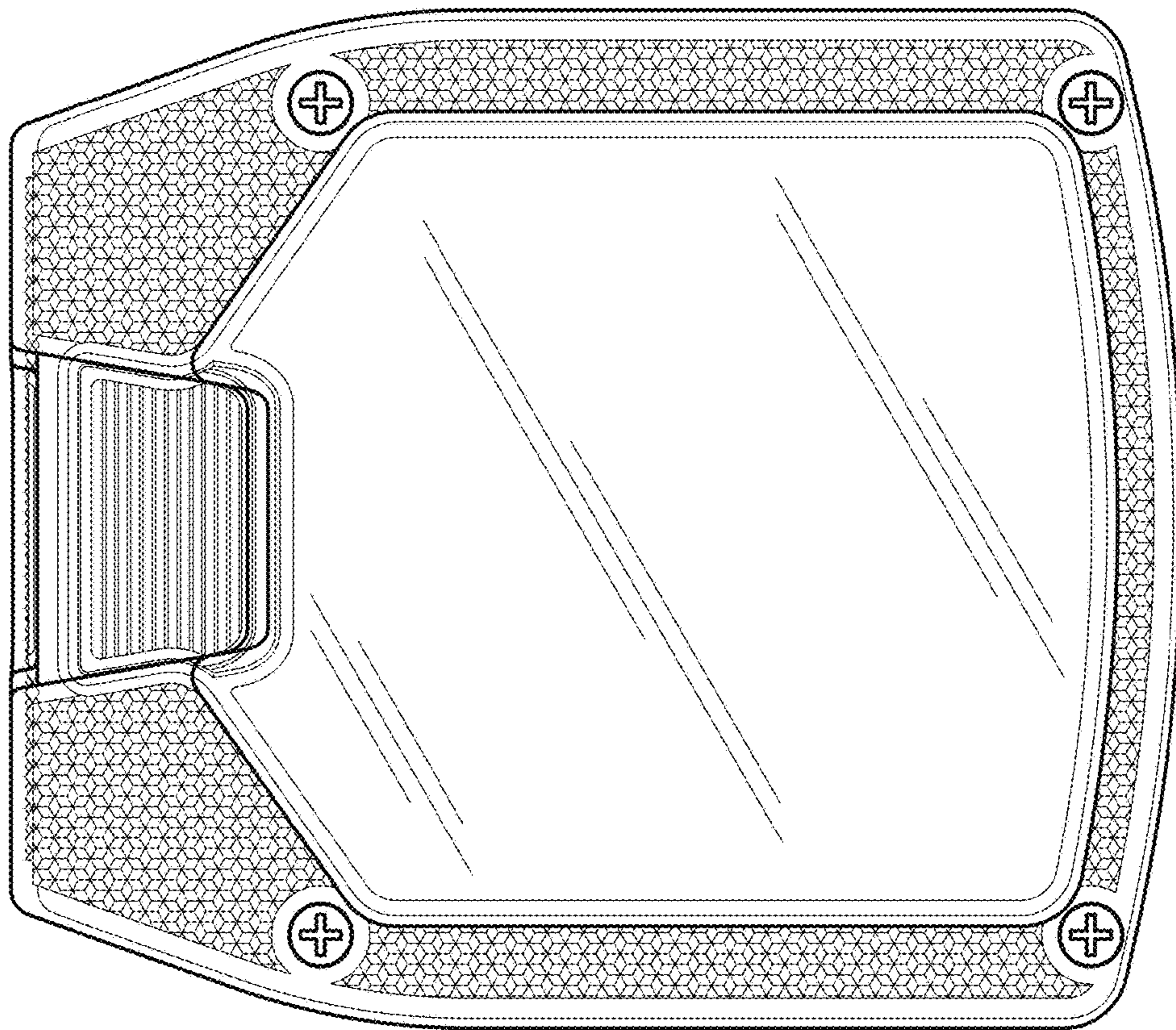


FIG. 2

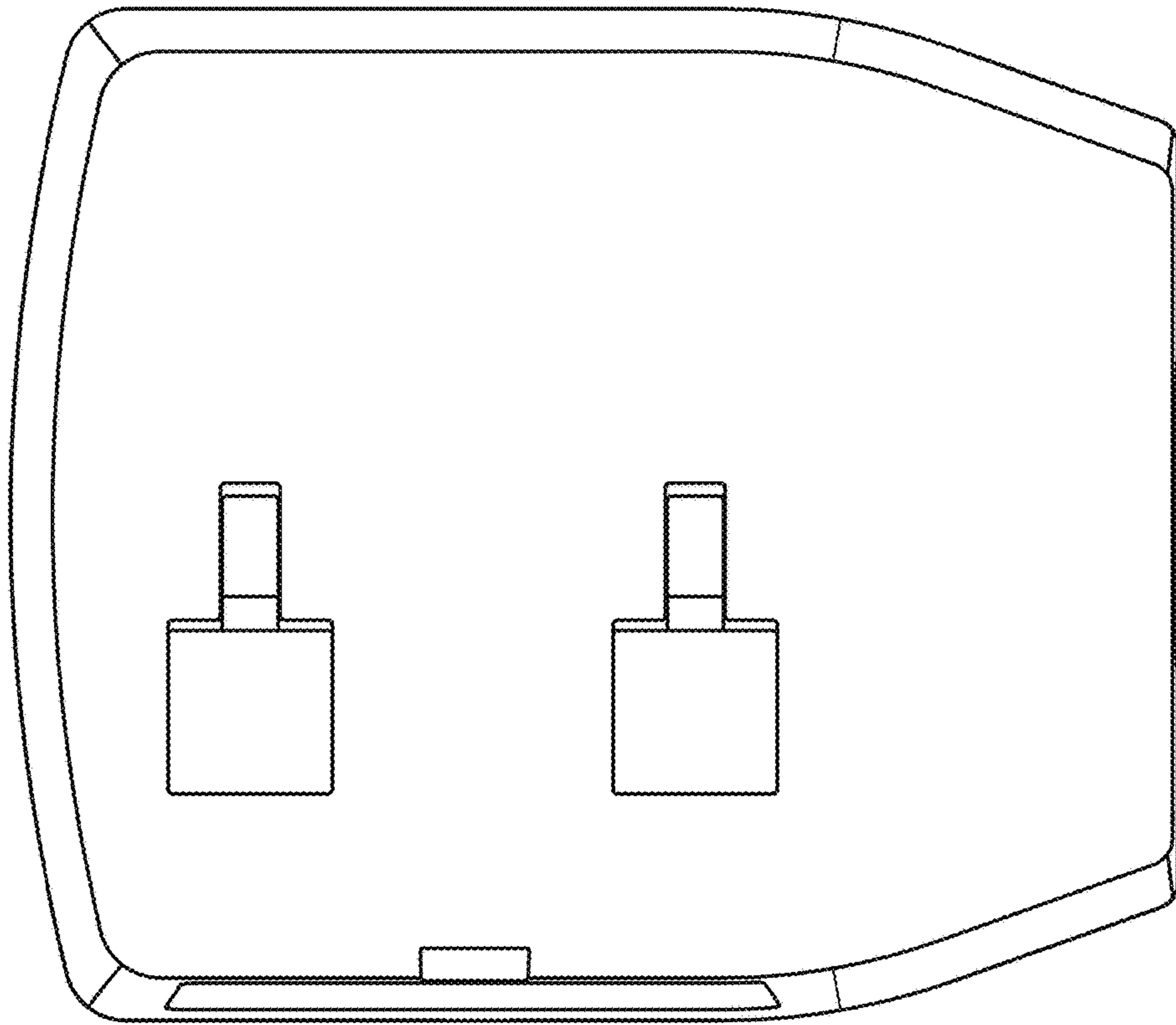


FIG.3

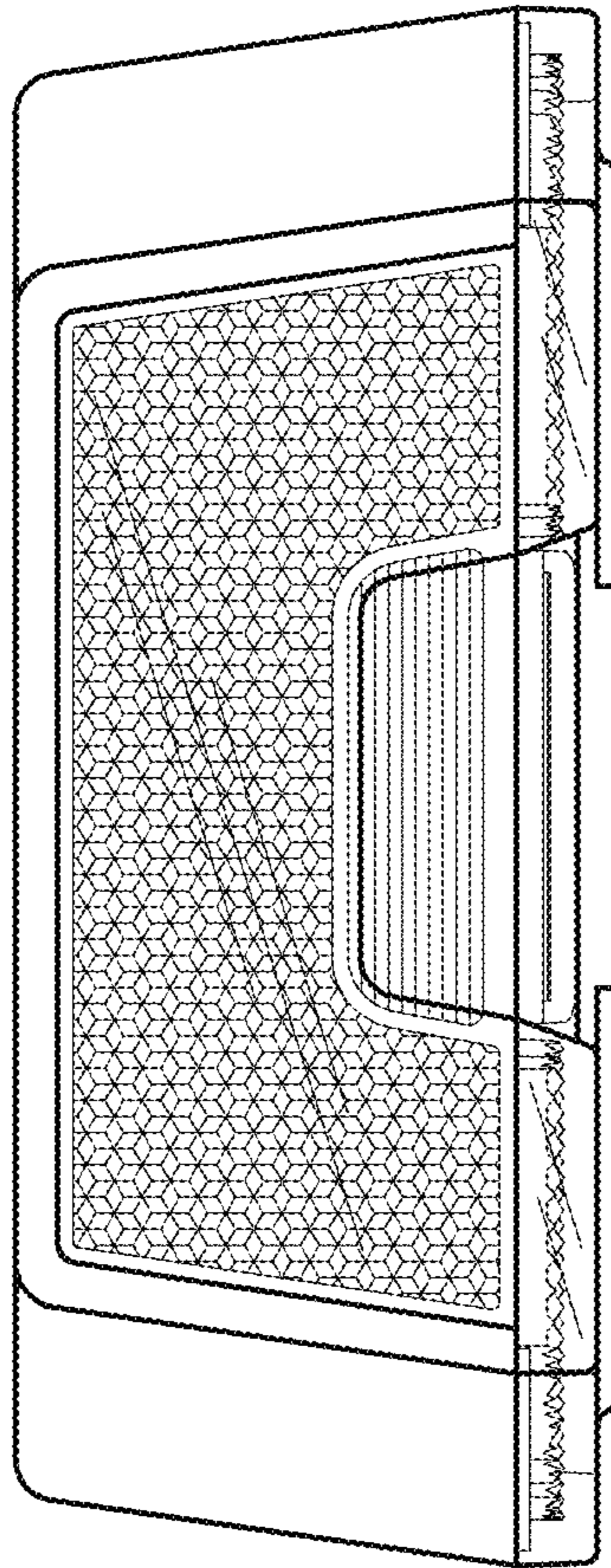


FIG.4

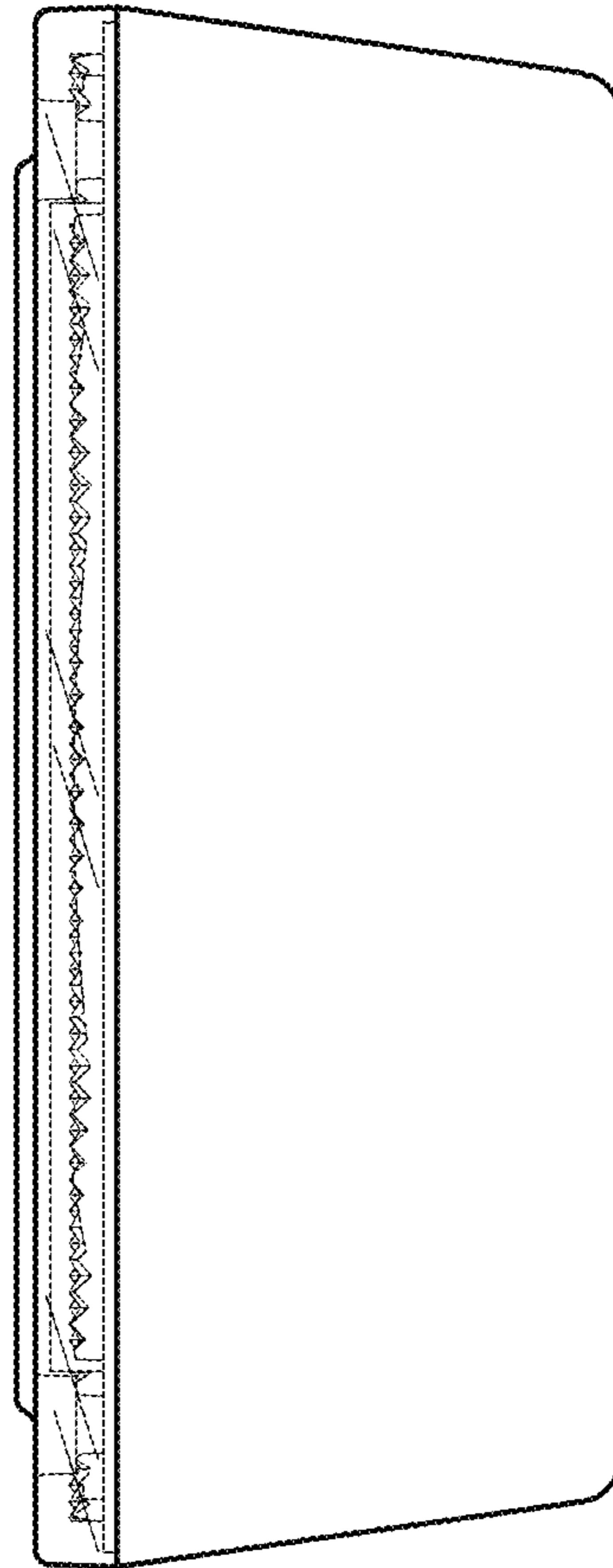


FIG.5

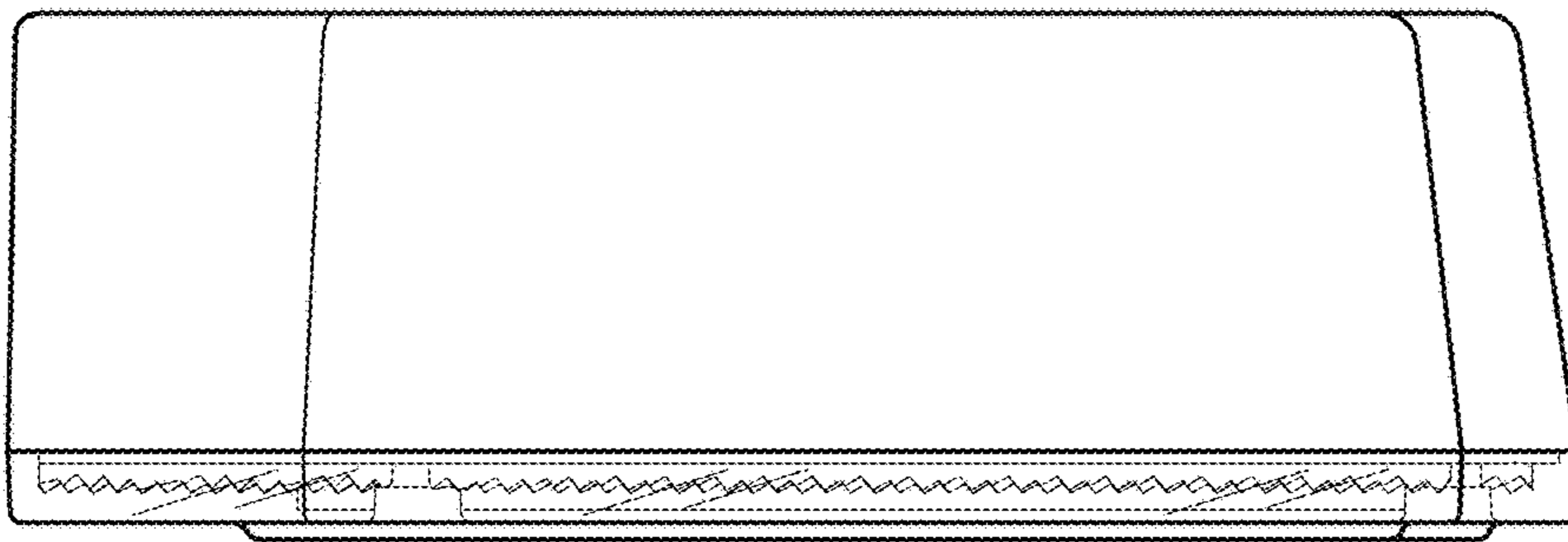


FIG.6

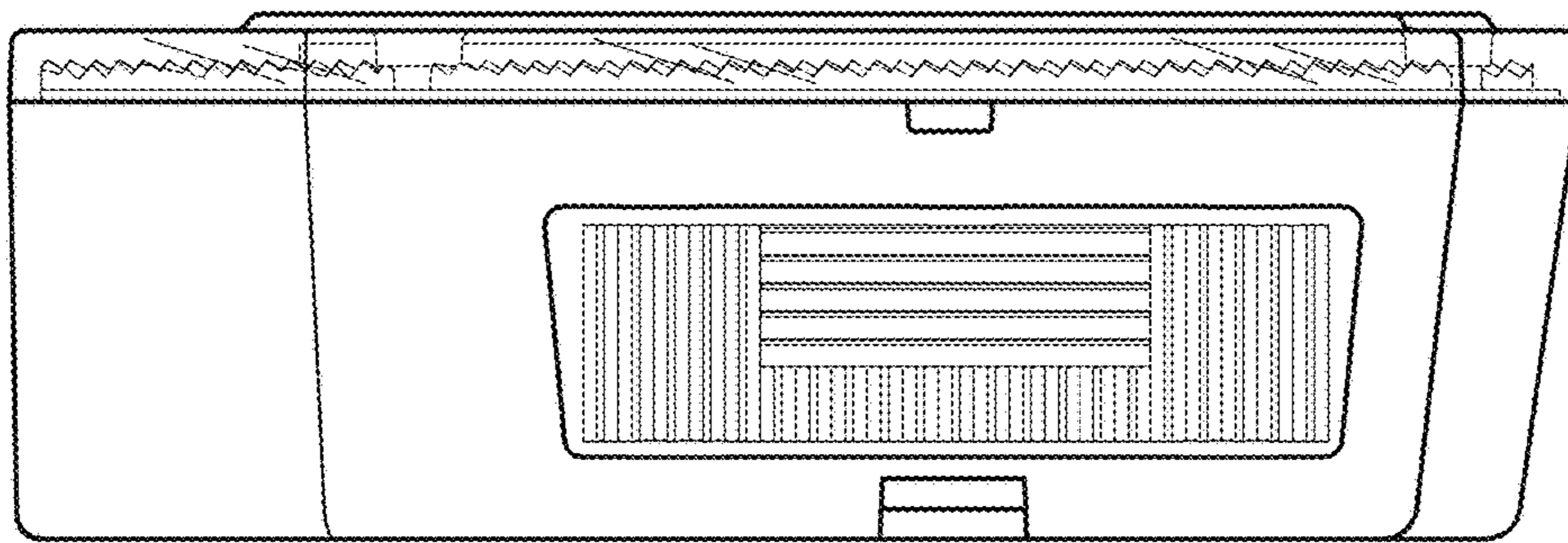


FIG.7