



US00D794232S

(12) **United States Design Patent** (10) **Patent No.:** **US D794,232 S**
Lai (45) **Date of Patent:** **** Aug. 8, 2017**

(54) **VEHICLE HEADLIGHT**

D685,503 S * 7/2013 Gardner D25/119
D695,169 S * 12/2013 Endo D12/173
D699,643 S * 2/2014 Chae D12/173
D702,164 S * 4/2014 Campbell D12/173

(71) Applicant: **Ching-Tsung Lai**, Tainan (TW)

(72) Inventor: **Ching-Tsung Lai**, Tainan (TW)

* cited by examiner

(**) Term: **15 Years**

Primary Examiner — Marcus Jackson

(21) Appl. No.: **29/576,183**

(74) *Attorney, Agent, or Firm* — Alexander Chen, Esq.

(22) Filed: **Aug. 31, 2016**

(51) **LOC (10) Cl.** **26-06**

(57) **CLAIM**

(52) **U.S. Cl.**

USPC **D26/28**

An ornamental design for an vehicle headlight, as shown and described.

(58) **Field of Classification Search**

USPC D26/28–36; 362/80–83, 267–269,
362/459–468, 475–478, 485–487

CPC F21S 48/00; F21S 48/10; F21S 48/115;
F21S 48/1233; F21S 48/1266; F21S

48/1388; F21S 48/2268; F21V 21/04;

B60C 9/13; B60C 9/135; B60C 9/1375

See application file for complete search history.

DESCRIPTION

FIG. 1 is a perspective view of an vehicle headlight. The dash line included denotes environment and is not part of the claimed design.

FIG. 2 is a front view thereof;

FIG. 3 is a side view thereof; and,

FIG. 4 is a top view thereof.

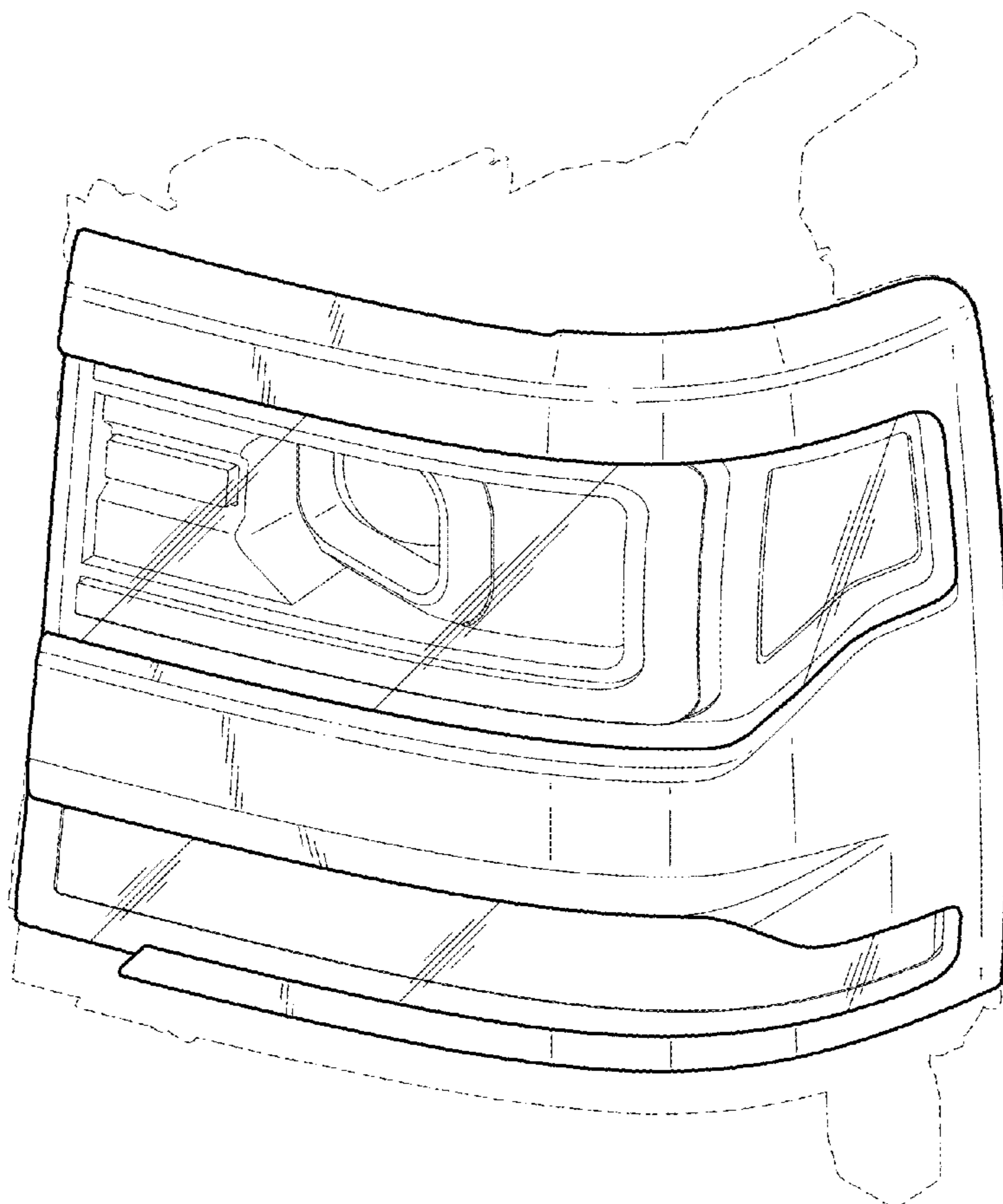
(56) **References Cited**

U.S. PATENT DOCUMENTS

D552,768 S * 10/2007 Leclercq D26/28

D683,286 S * 5/2013 Fuchigami D12/173

1 Claim, 4 Drawing Sheets



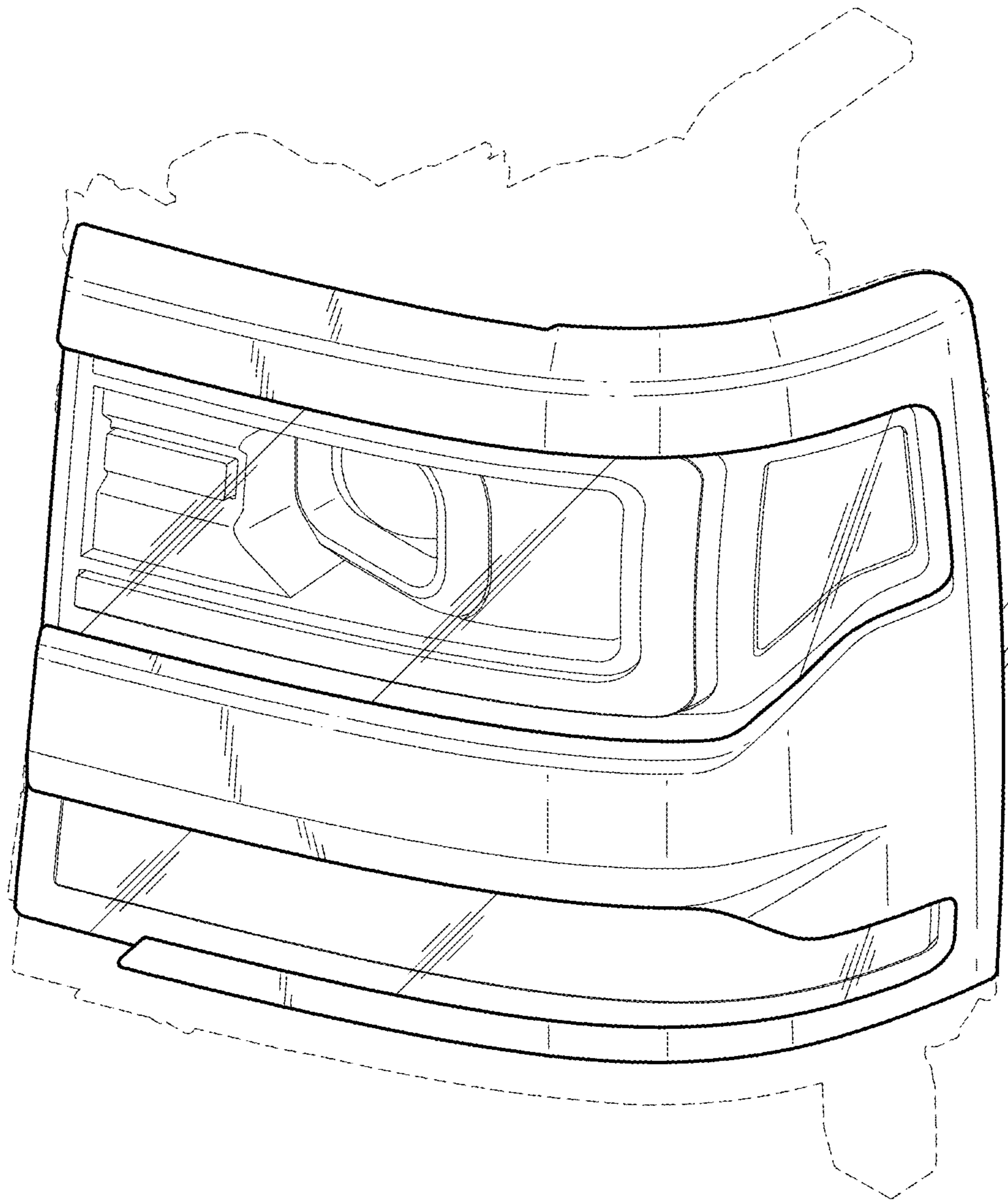


FIG. 1

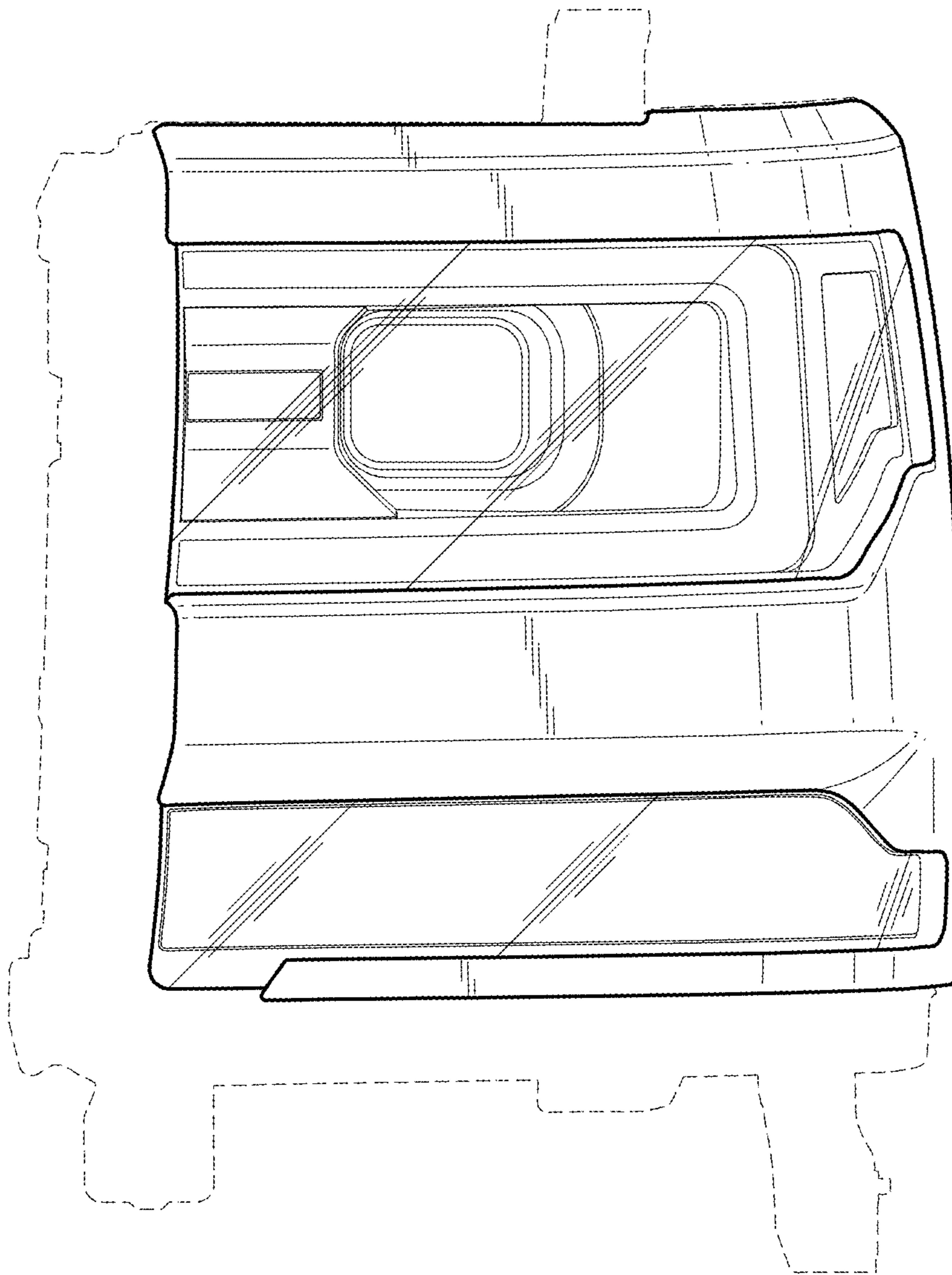


FIG. 2

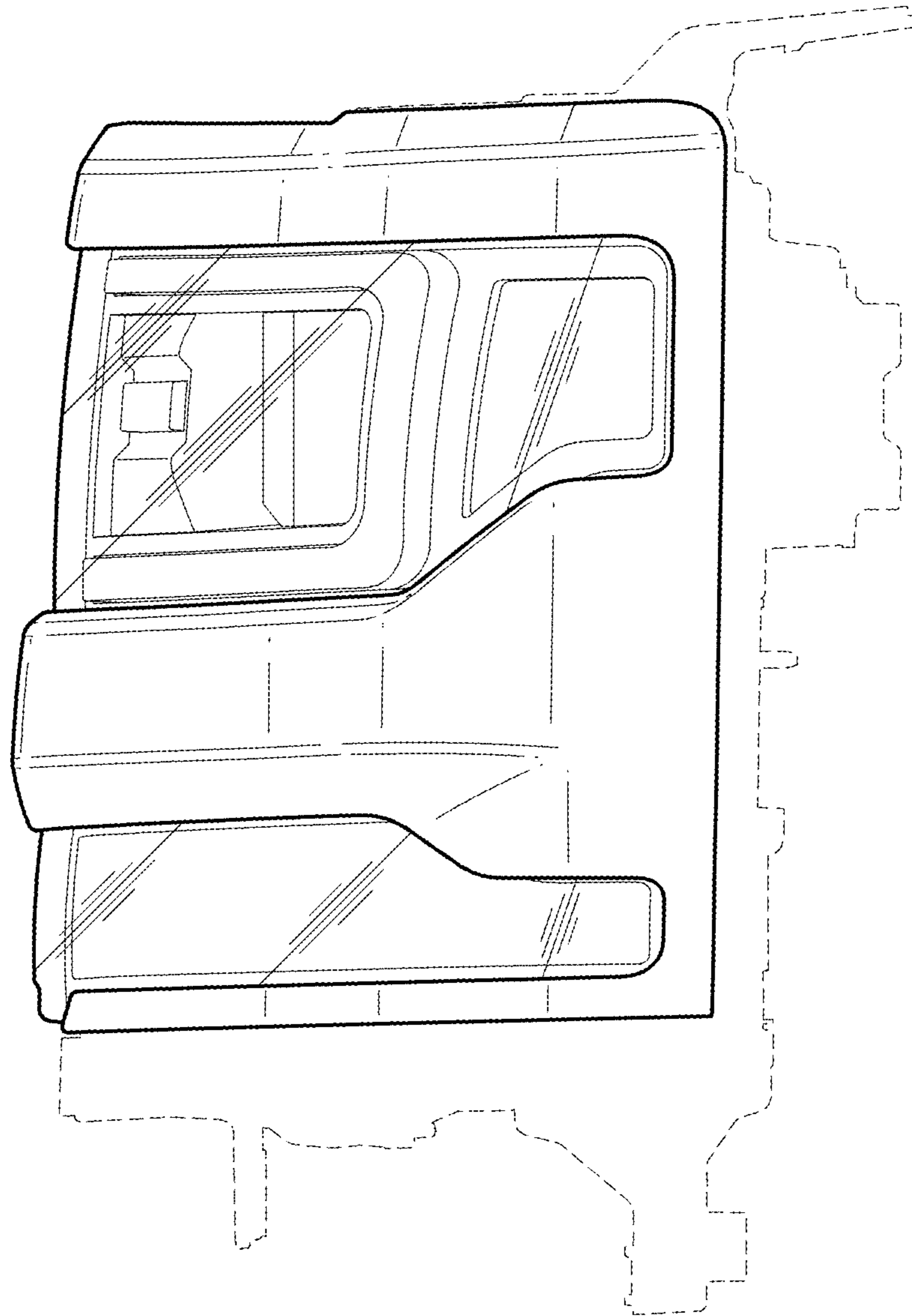


FIG. 3

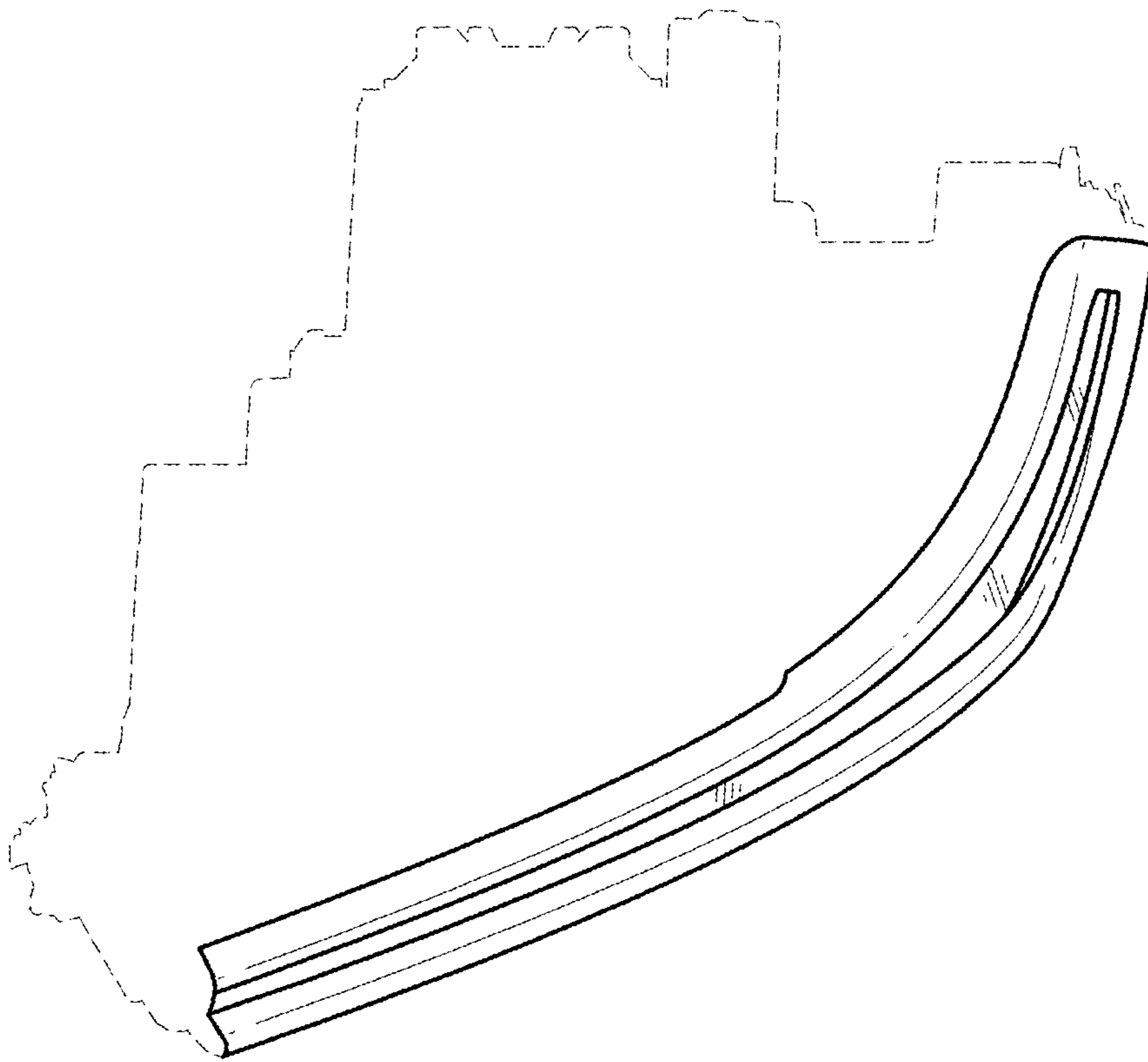


FIG. 4