



US00D794231S

(12) **United States Design Patent** (10) **Patent No.:** **US D794,231 S**
Yokoi et al. (45) **Date of Patent:** **** Aug. 8, 2017**

(54) **FRONT COMBINATION LAMP FOR A MOTOR VEHICLE**

(71) Applicants: **Satoshi Yokoi**, Nagoya (JP); **Manabu Kojima**, Anjo (JP); **Taketoshi Aoki**, Nagoya (JP)

(72) Inventors: **Satoshi Yokoi**, Nagoya (JP); **Manabu Kojima**, Anjo (JP); **Taketoshi Aoki**, Nagoya (JP)

(73) Assignee: **Toyota Jidosha Kabushiki Kaisha**, Toyota-shi, Aichi-ken (JP)

(**) Term: **15 Years**

(21) Appl. No.: **29/565,396**

(22) Filed: **May 20, 2016**

(30) **Foreign Application Priority Data**

Nov. 27, 2015 (JP) 2015-026475

(51) **LOC (10) Cl.** **26-07**

(52) **U.S. Cl.**
USPC **D26/28**

(58) **Field of Classification Search**
USPC D26/28-36; 362/459-468, 475-478, 362/485-487
CPC F21S 48/00; F21S 48/10; F21S 48/115; F21S 48/225; F21S 48/1233; F21S 48/1266; F21S 48/1388; F21S 48/2268; F21V 21/04
See application file for complete search history.

(56) **References Cited**

U.S. PATENT DOCUMENTS

D679,429 S * 4/2013 Frenzel D26/28
D685,116 S * 6/2013 Kido D26/28
D702,380 S * 4/2014 Kobayashi D26/28
D707,860 S * 6/2014 Futschik D26/28
D746,496 S * 12/2015 Loeb D26/28

D747,821 S * 1/2016 Yoshida D26/28
D755,425 S * 5/2016 Kong D26/28
D759,273 S * 6/2016 Ogihara D26/28
D761,986 S * 7/2016 Obatake D26/28
D762,890 S * 8/2016 Wheel D26/28
D763,485 S * 8/2016 Wheel D26/28
D779,090 S * 2/2017 Giolito D26/28

OTHER PUBLICATIONS

Netcarshow.com, URL: <http://www.netcarshow.com/lexus/2015-nx/>; Model: Lexus NX (2015); Mfg.: Toyota, available on at least Nov. 6, 2015.

Netcarshow.com, URL: <http://www.netcarshow.com/citroen/2015-ds3/>; Model: Citroen DS3 (2015); Mfg.: Citroen; available on at least Nov. 6, 2015.

* cited by examiner

Primary Examiner — Angela J Lee

(74) *Attorney, Agent, or Firm* — Finnegan, Henderson, Farabow, Garrett & Dunner, L.L.P.

(57) **CLAIM**

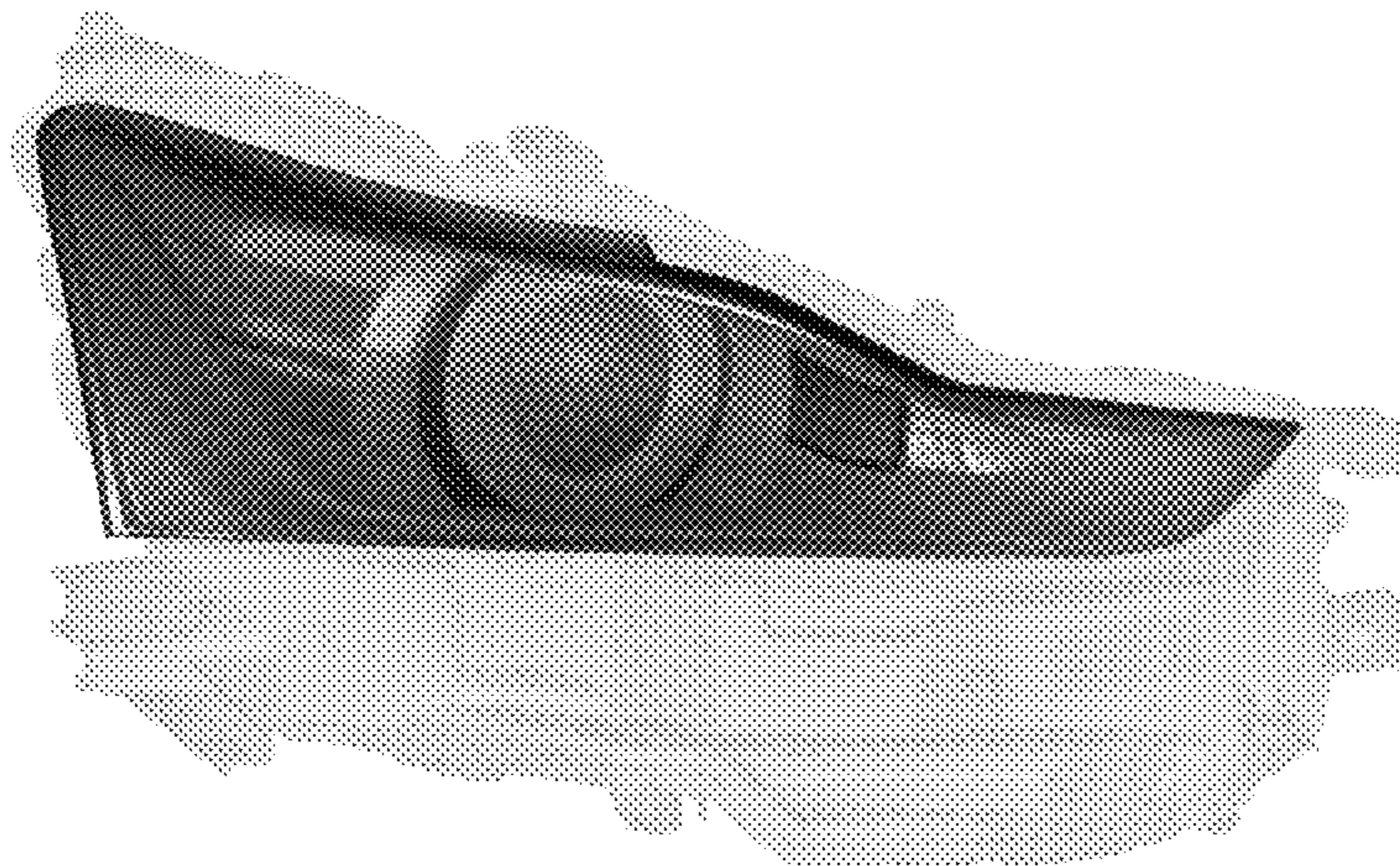
The ornamental design for a front combination lamp of a motor vehicle, shown and described.

DESCRIPTION

FIG. 1 is a front perspective view of a front combination lamp for a motor vehicle showing our new design; FIG. 2 is a front view thereof; FIG. 3 is a rear view thereof; FIG. 4 is a right side view thereof; FIG. 5 is a left side view thereof; FIG. 6 is a top view thereof; and, FIG. 7 is a bottom view thereof.

Our design includes the mirror image of the embodiment depicted. The de-emphasized and halftone portions shown in the photographs illustrate environmental structure for the front combination lamp for a motor vehicle that forms no part of the claimed design.

1 Claim, 7 Drawing Sheets



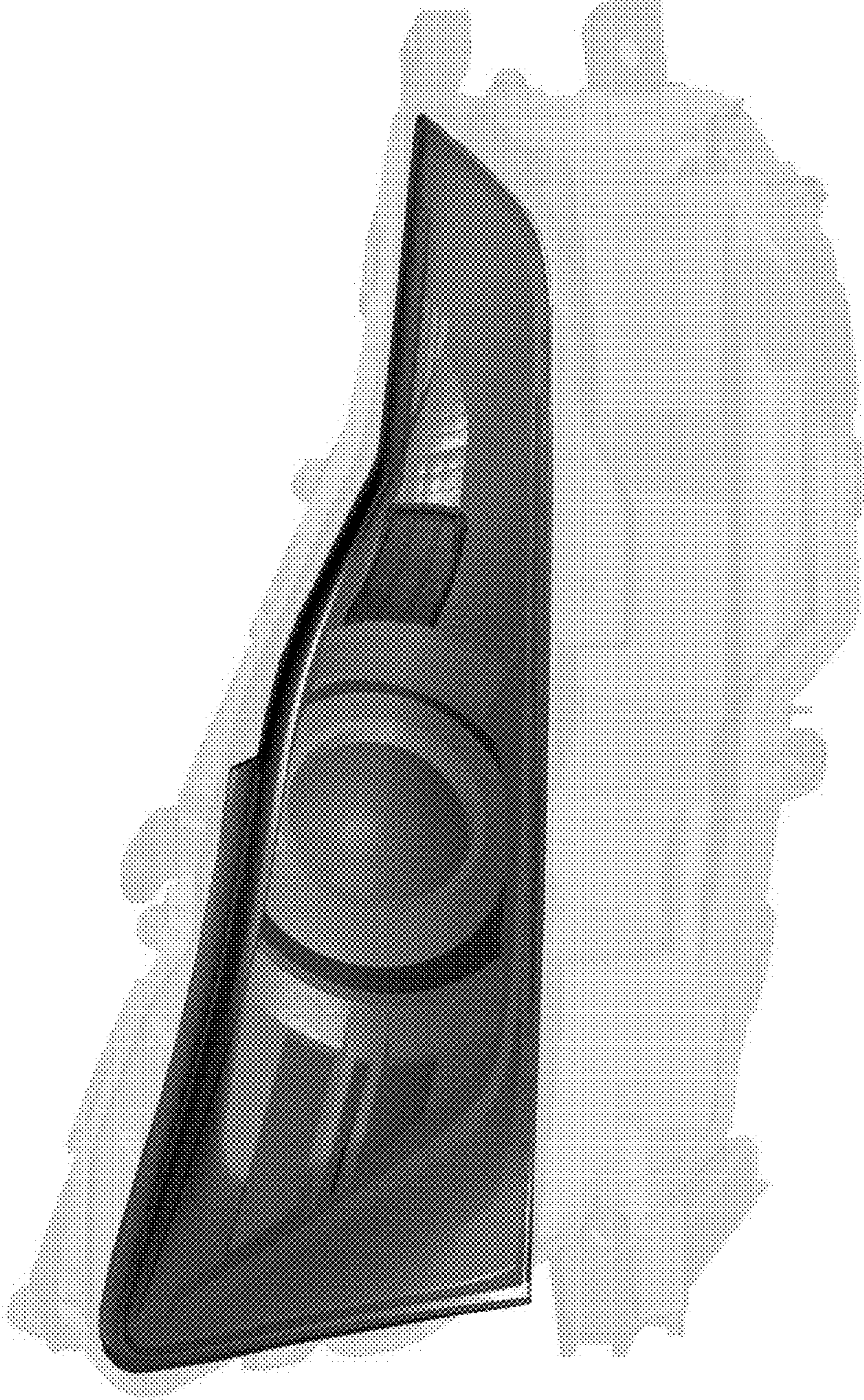


FIG. 1

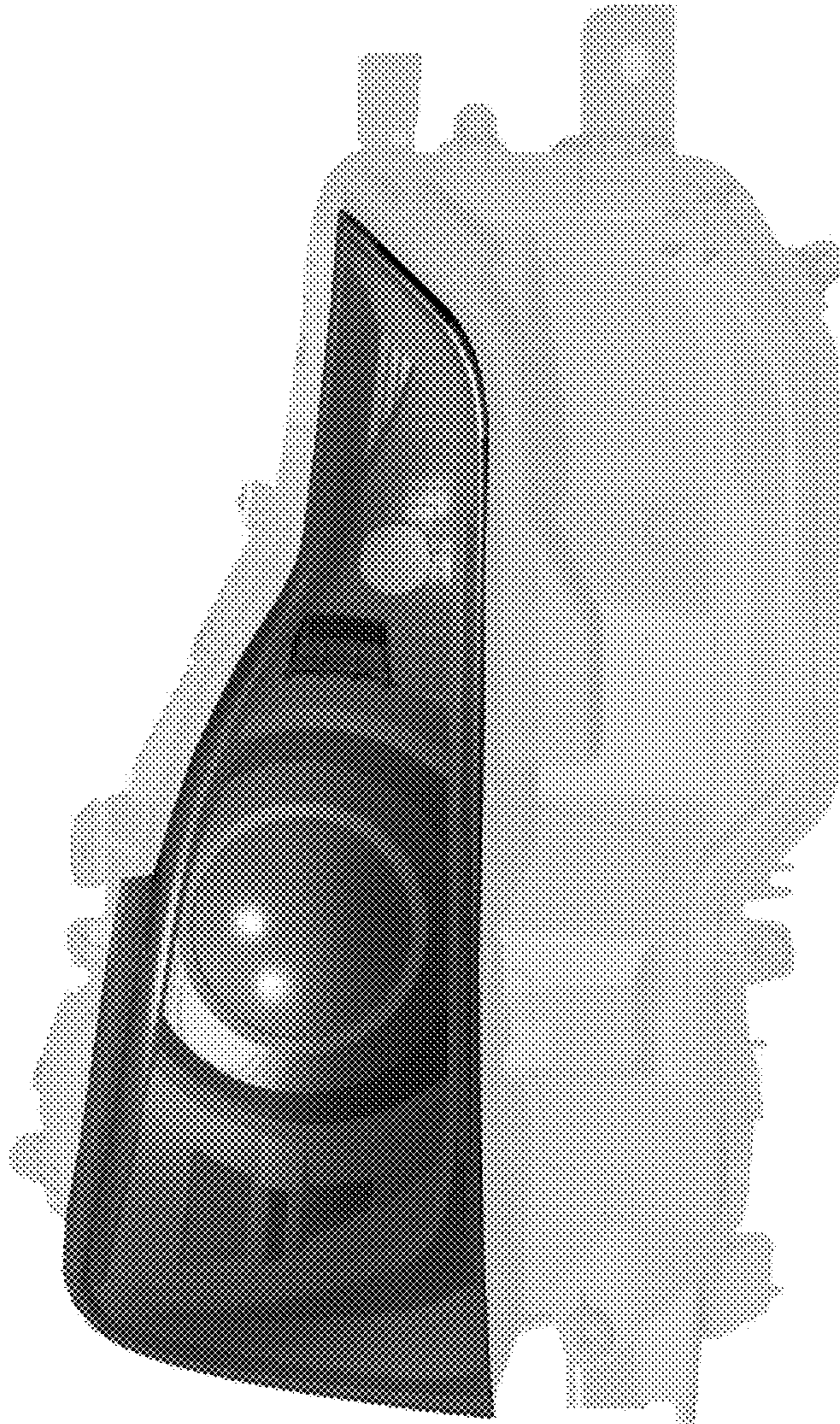


FIG. 2

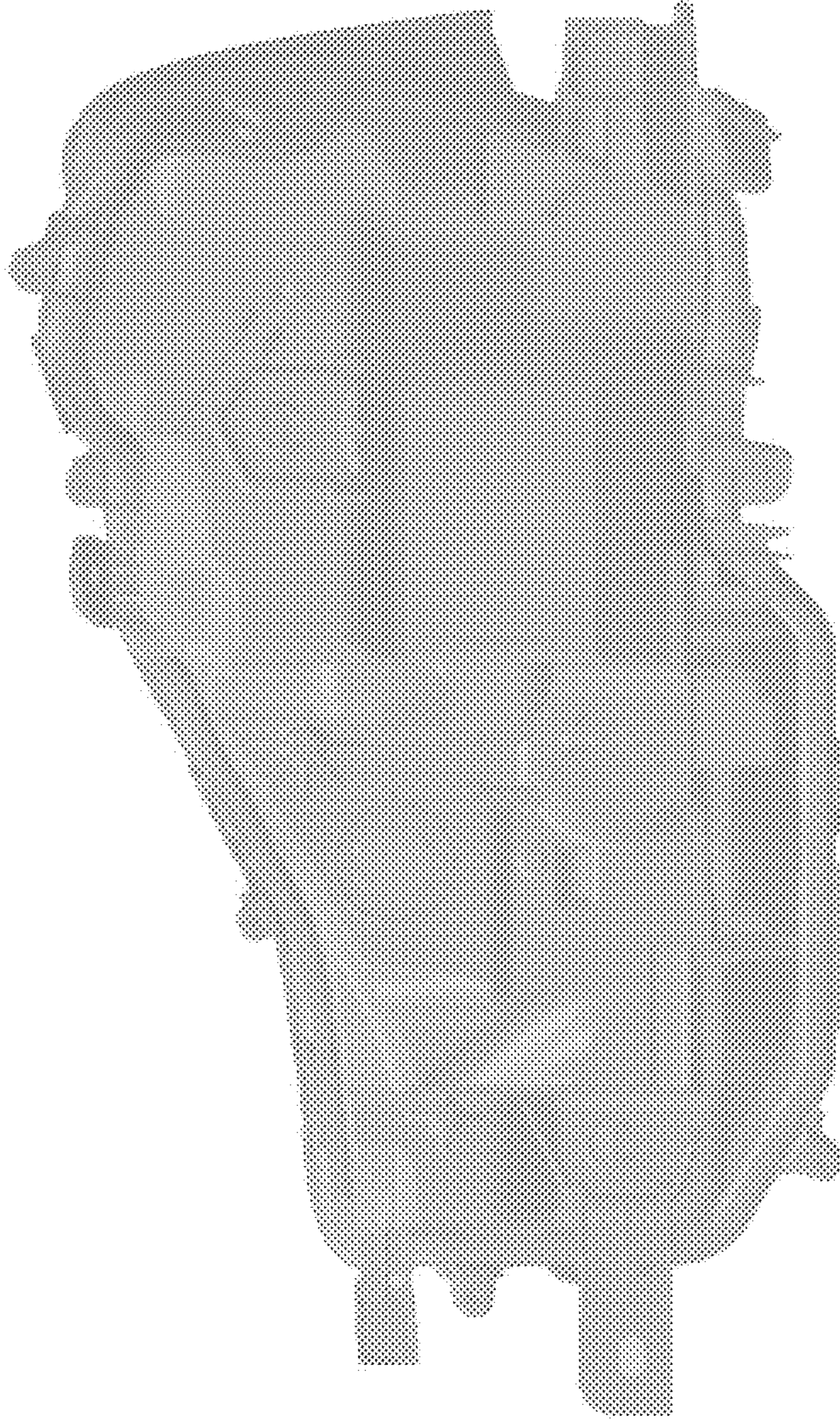


FIG. 3

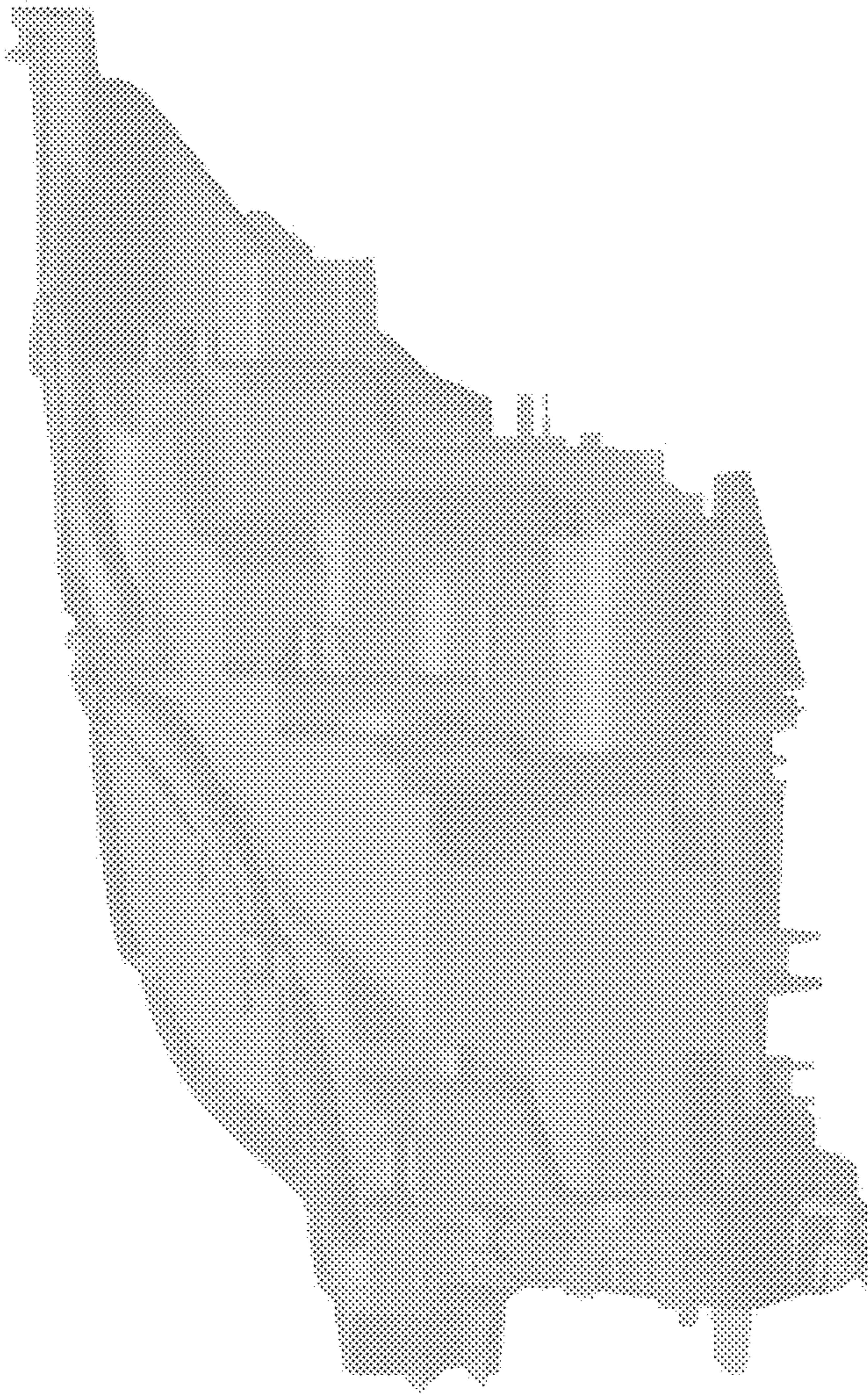


FIG. 4

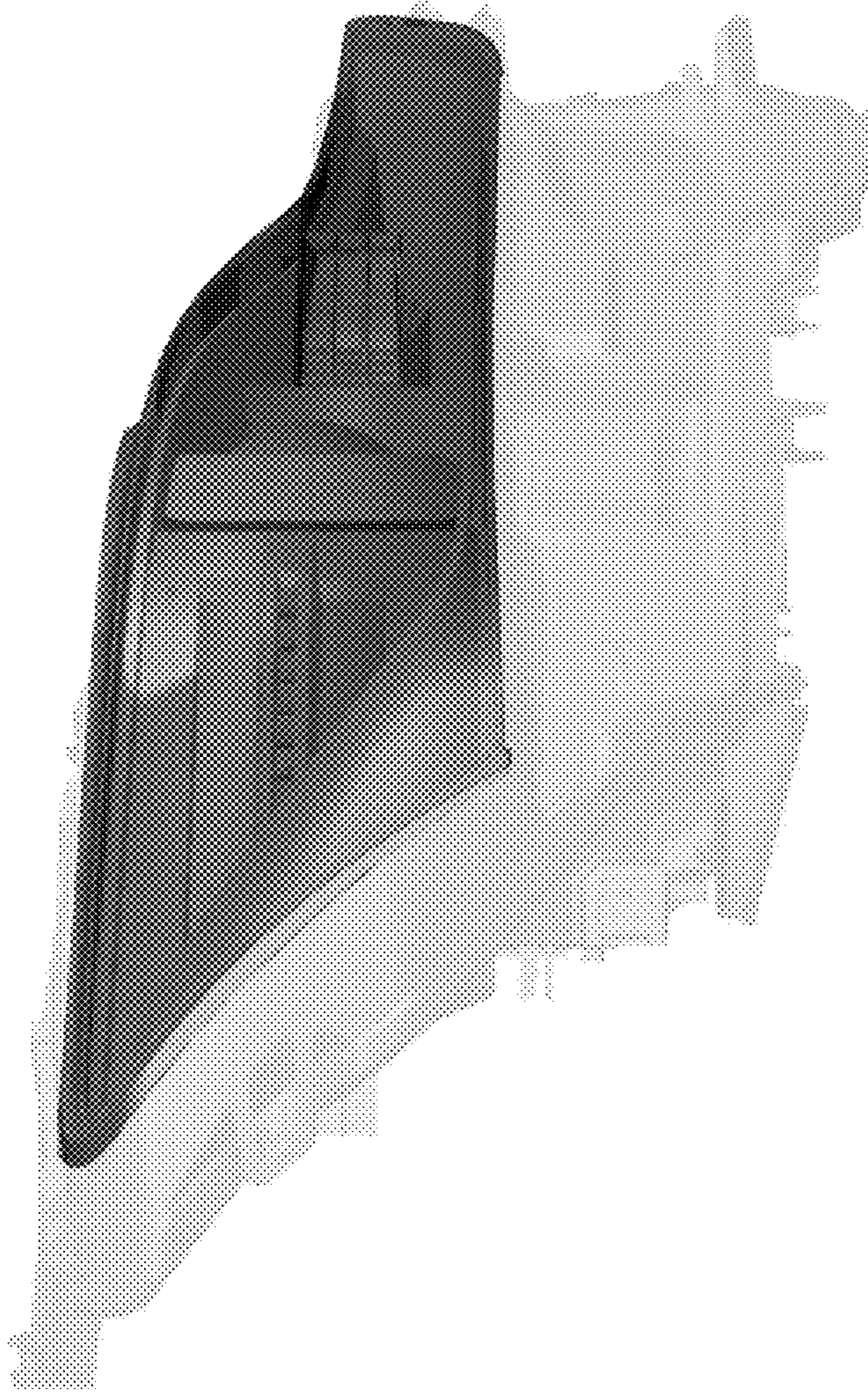


FIG. 5



FIG. 6



FIG. 7