



US00D794228S

(12) **United States Design Patent**
Unnikrishnan et al.

(10) **Patent No.:** **US D794,228 S**

(45) **Date of Patent:** **** Aug. 8, 2017**

(54) **WARMER**

(71) Applicant: **S. C. Johnson & Son, Inc.**, Racine, WI (US)

(72) Inventors: **Aparna Unnikrishnan**, Vernon Hills, IL (US); **Matthew Burtonwood**, Denby Dale (GB)

(73) Assignee: **S. C. Johnson & Son, Inc.**, Racine, WI (US)

(**) Term: **15 Years**

(21) Appl. No.: **29/546,374**

(22) Filed: **Nov. 20, 2015**

(51) **LOC (10) Cl.** **26-01**

(52) **U.S. Cl.**
USPC **D26/9; D23/366; D26/22**

(58) **Field of Classification Search**
USPC **D26/6-10, 20, 22, 23; D23/362-366; D7/355, 366, 407, 515, 526-530; D9/428, 516, 552-557**

CPC . **B01D 2257/708; B01D 2258/06; A61L 9/22; A61L 9/205; A61L 2209/14**
See application file for complete search history.

(56) **References Cited**

U.S. PATENT DOCUMENTS

D280,242 S *	8/1985	Burket	D26/134
D318,227 S *	7/1991	Halm	D23/366
D370,068 S *	5/1996	Lui	D26/9
D417,018 S *	11/1999	Soller	D26/11
D425,424 S *	5/2000	Cheng	D9/520
D429,828 S *	8/2000	Schultz	D26/9
D447,256 S *	8/2001	Ratia	D26/9
D450,244 S *	11/2001	Rashid	D9/502
D466,755 S *	12/2002	Henry	D7/323

D546,123 S *	7/2007	Yelland	D7/509
D562,638 S *	2/2008	Hamberger	D7/529
D599,899 S *	9/2009	Thompson	D23/366
D631,579 S *	1/2011	Franklin	D26/22
D659,049 S *	5/2012	Harshman	D11/146
D676,755 S *	2/2013	Hein	D9/519
D682,448 S *	5/2013	Nugent	D26/22
D735,255 S *	7/2015	Sickinger	D15/144.2
D741,648 S *	10/2015	Wahl	D23/366
D757,556 S *	5/2016	Lesueur	D9/520
D775,899 S *	1/2017	Maple	D7/523
2015/0117056 A1 *	4/2015	Hsiao	F21V 33/0004 362/611
2016/0375168 A1 *	12/2016	Hsiao	A61L 9/03 392/390

* cited by examiner

Primary Examiner — Thomas Johannes

Assistant Examiner — Keith Frank

(57) **CLAIM**

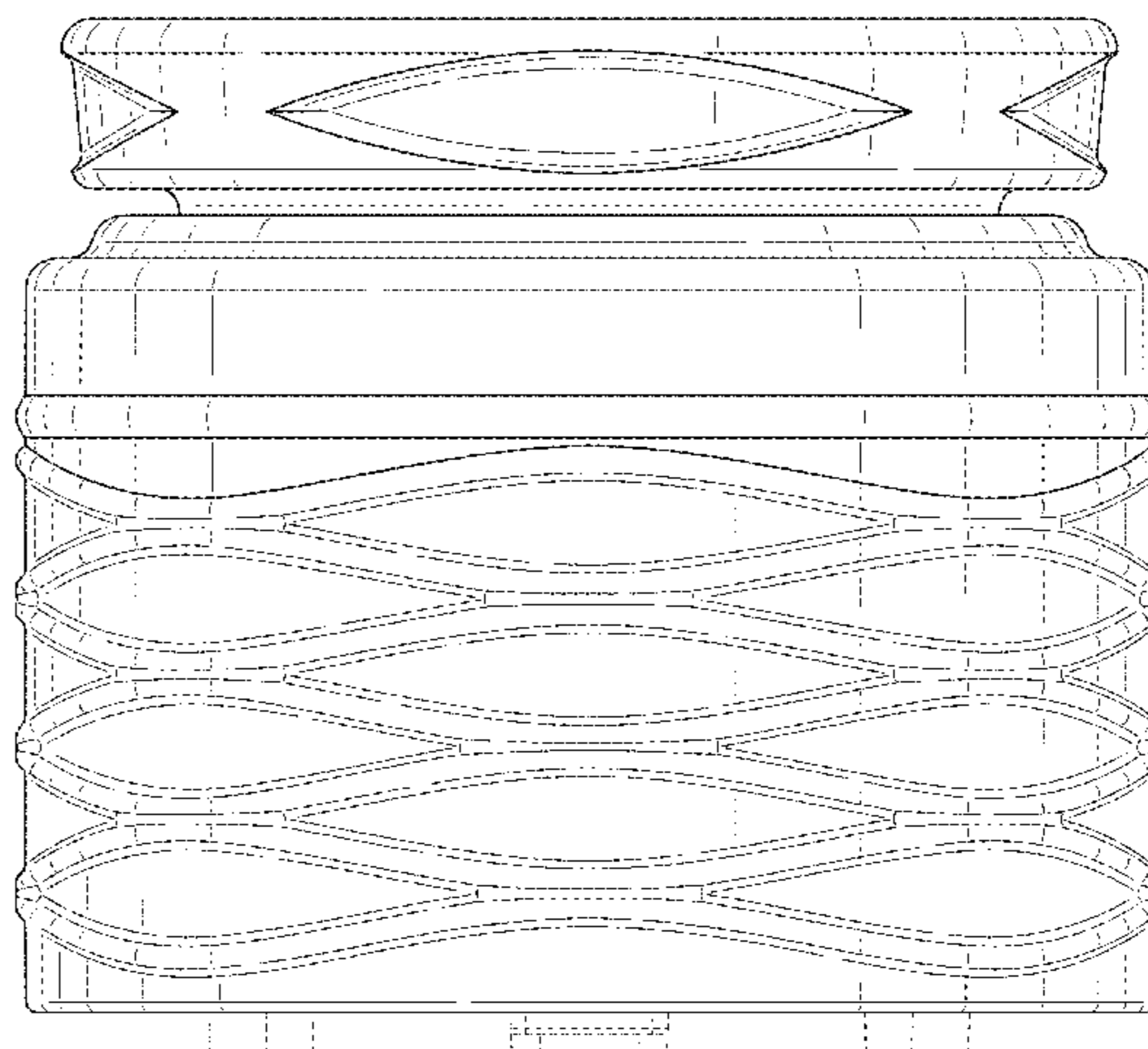
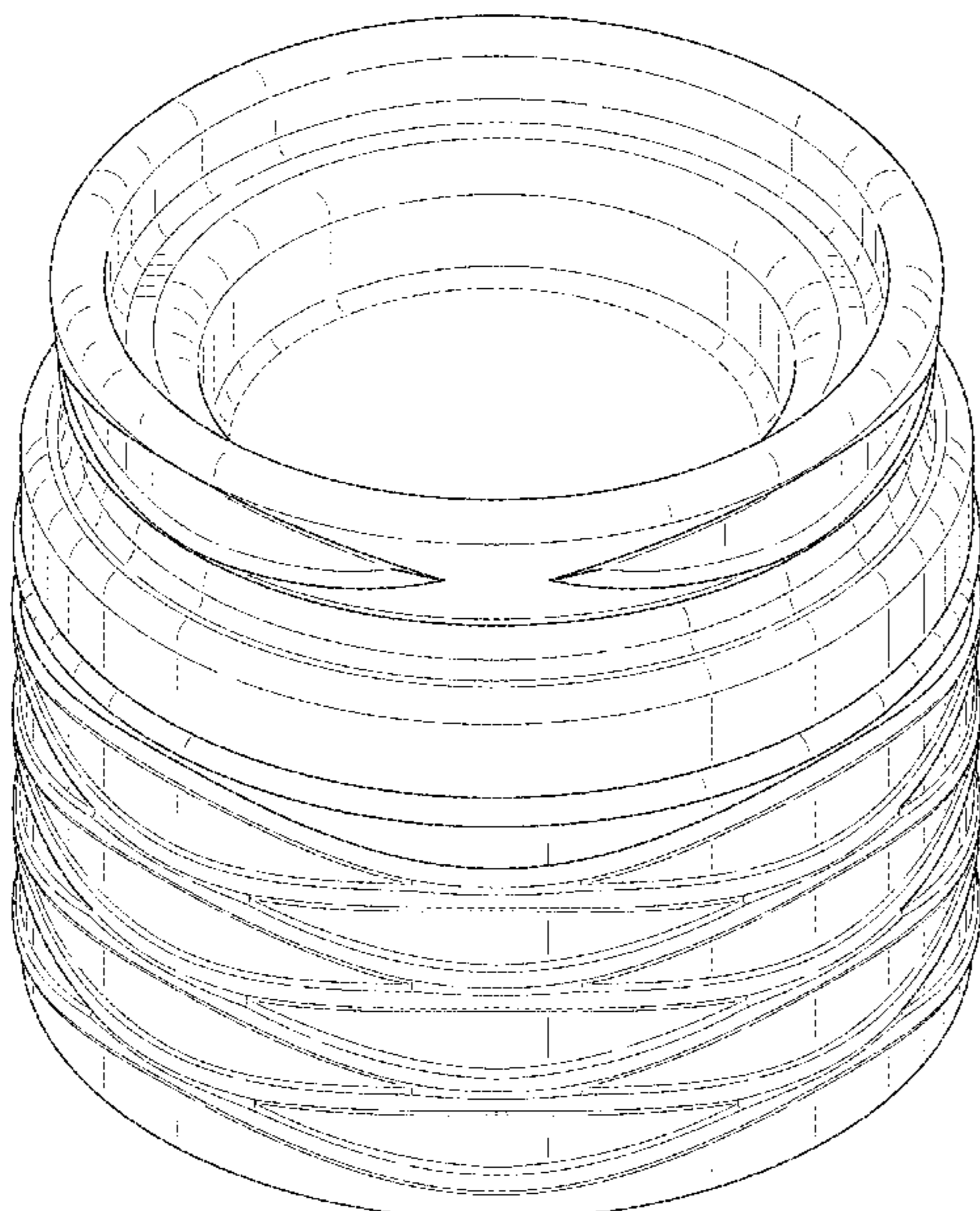
The ornamental design for a warmer, as shown and described.

DESCRIPTION

FIG. 1 is an isometric view of a top, front, and left side of a warmer showing our new ornamental design; FIG. 2 is a front elevational view thereof; FIG. 3 is a rear elevational view thereof; FIG. 4 is a right side elevational view thereof; FIG. 5 is a left side elevational view thereof; FIG. 6 is a top plan view thereof; and, FIG. 7 is a bottom plan view thereof.

The dash-dash broken lines are included for the purpose of illustrating portions of the warmer that form no part of the claimed design. The dot-dash broken lines are included for the purposes of illustrating a boundary line that forms no part of the claimed design.

1 Claim, 7 Drawing Sheets



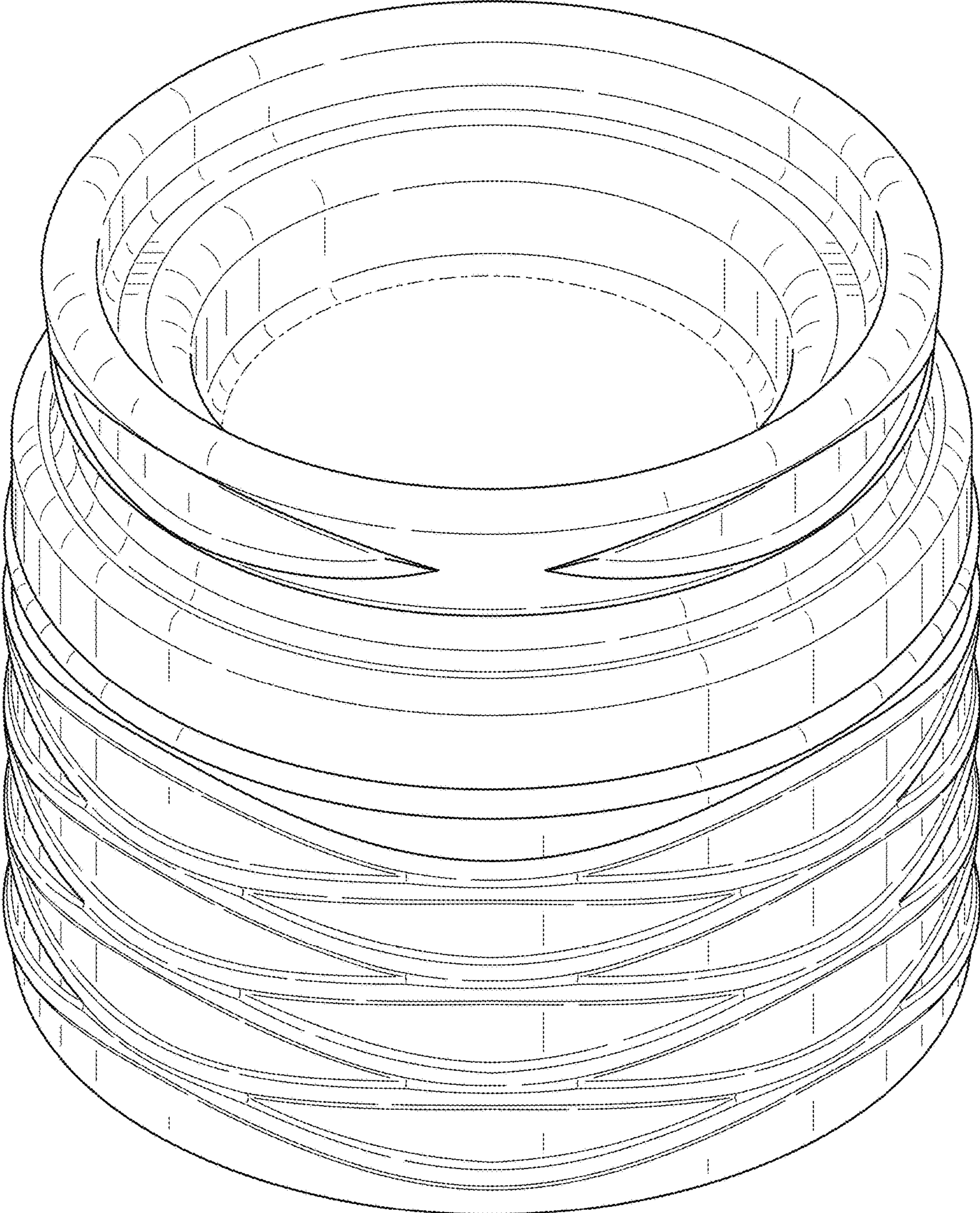


FIG. 1

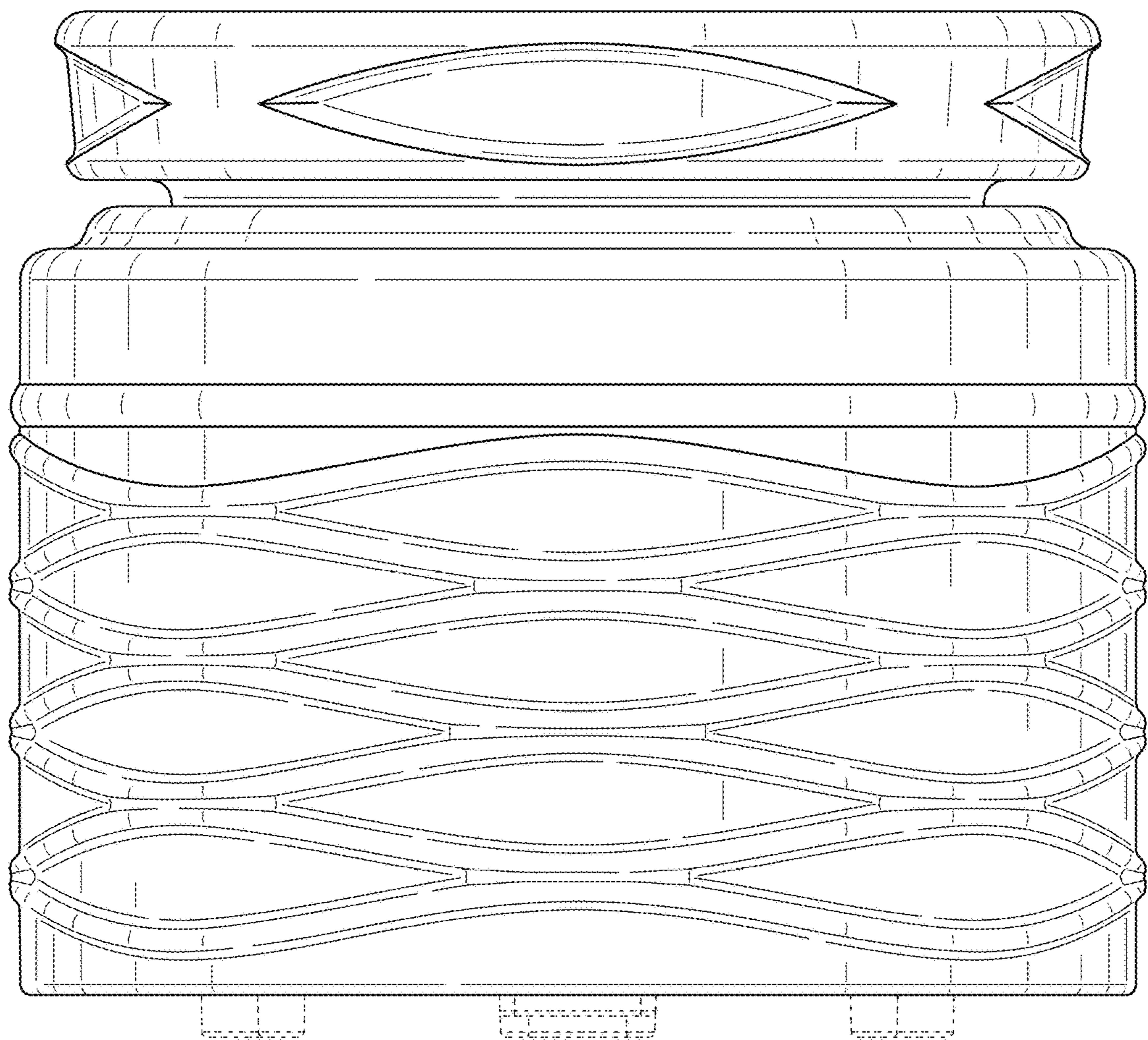


FIG. 2

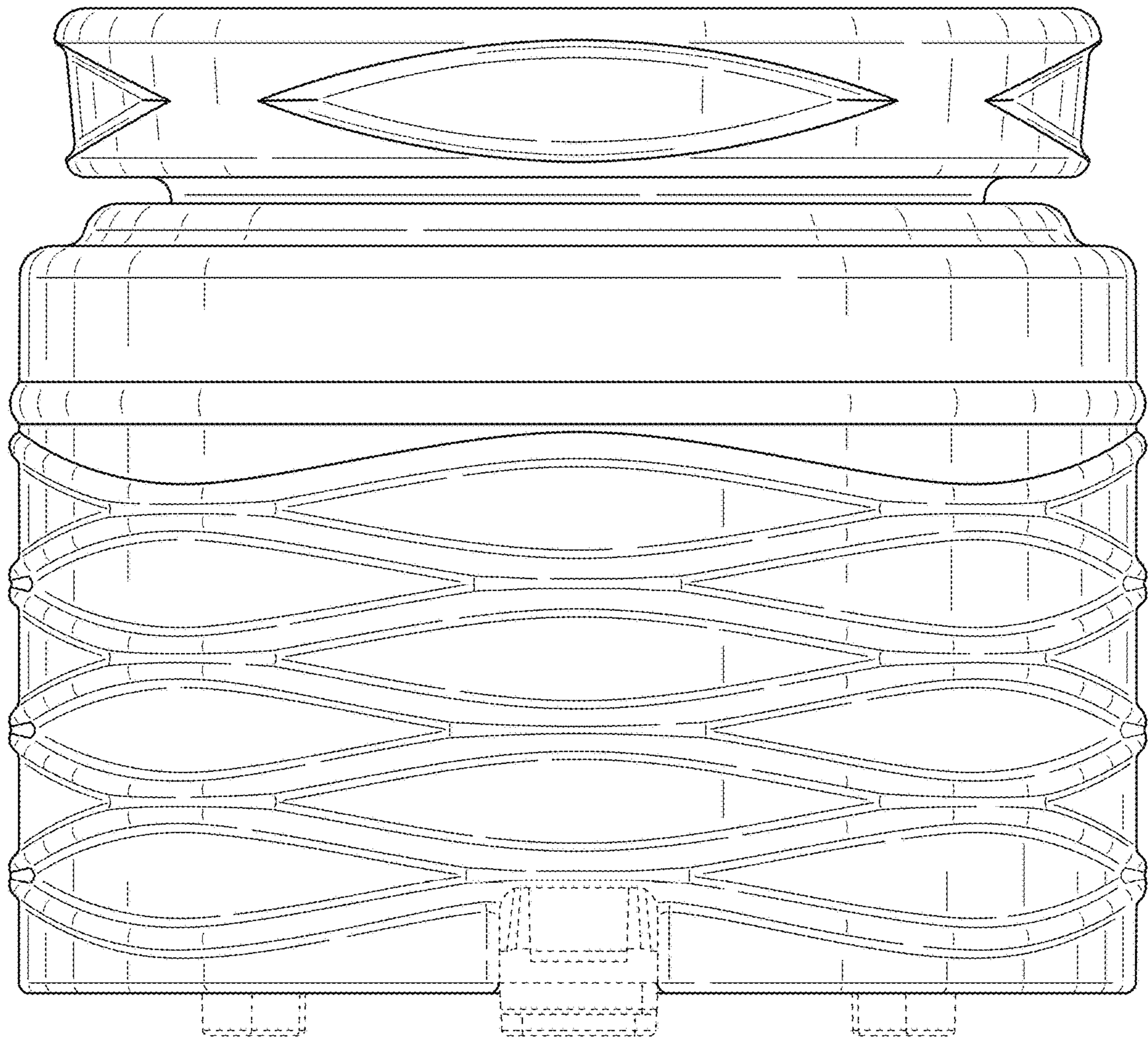


FIG. 3

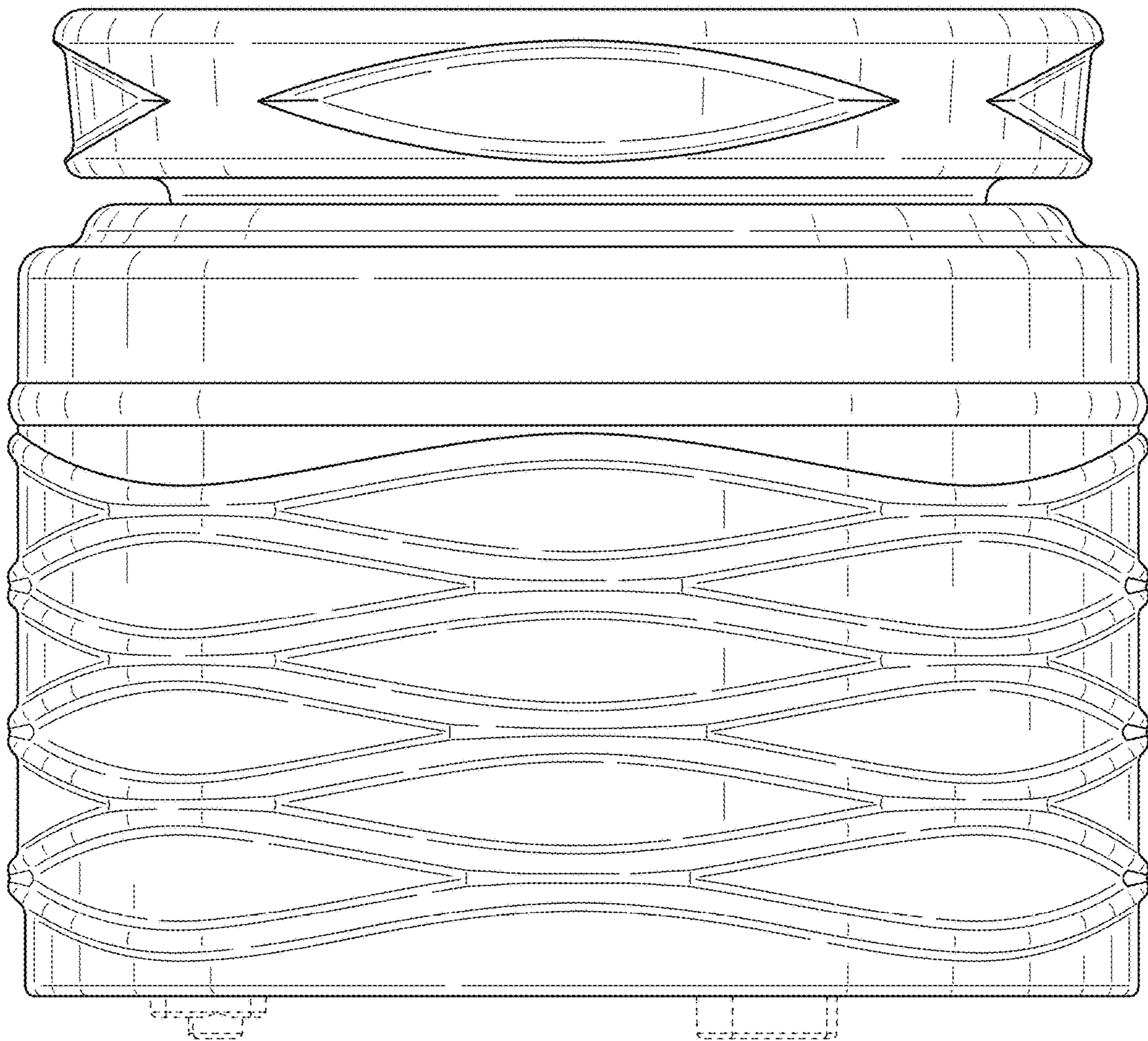


FIG. 4

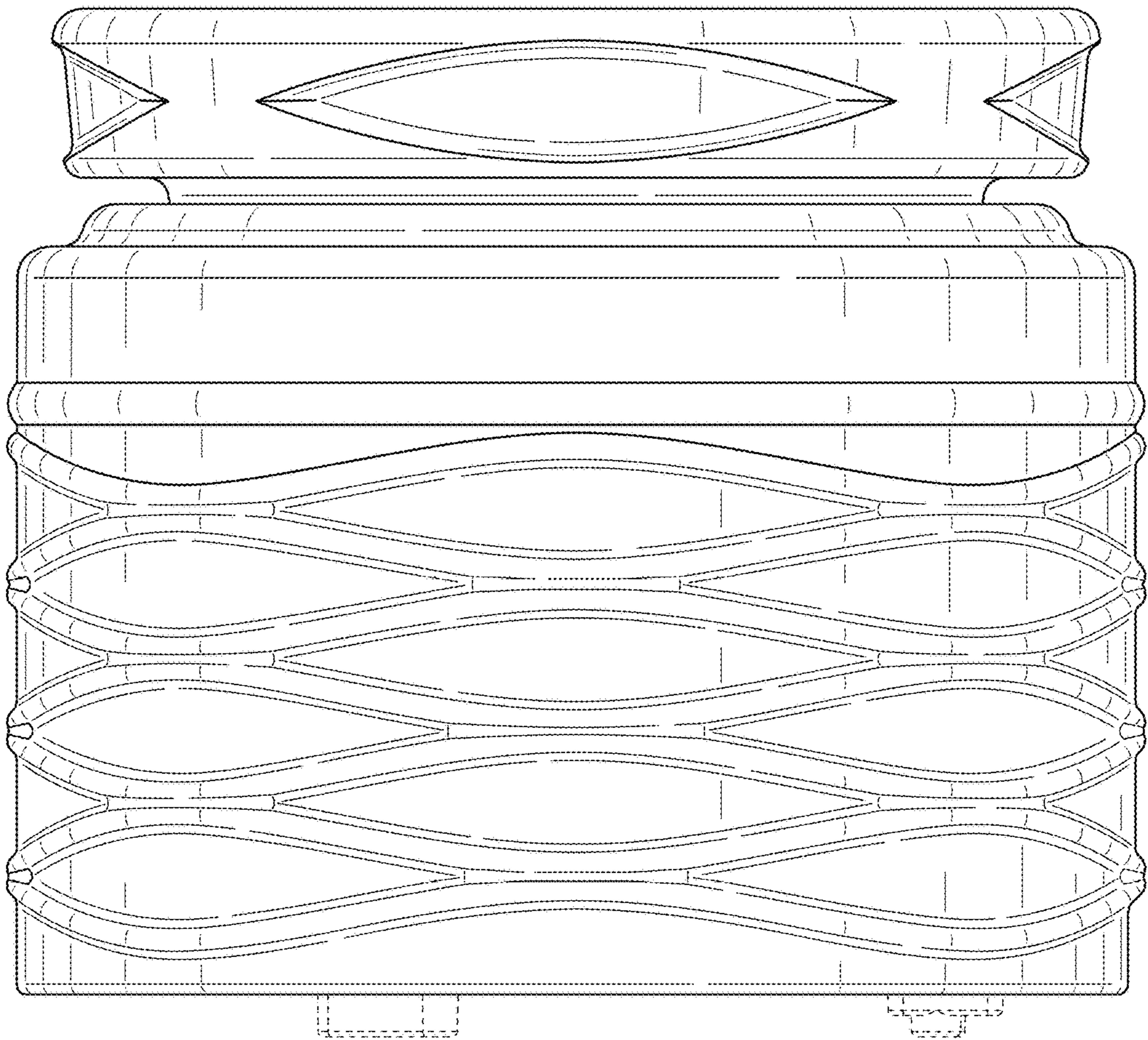


FIG. 5

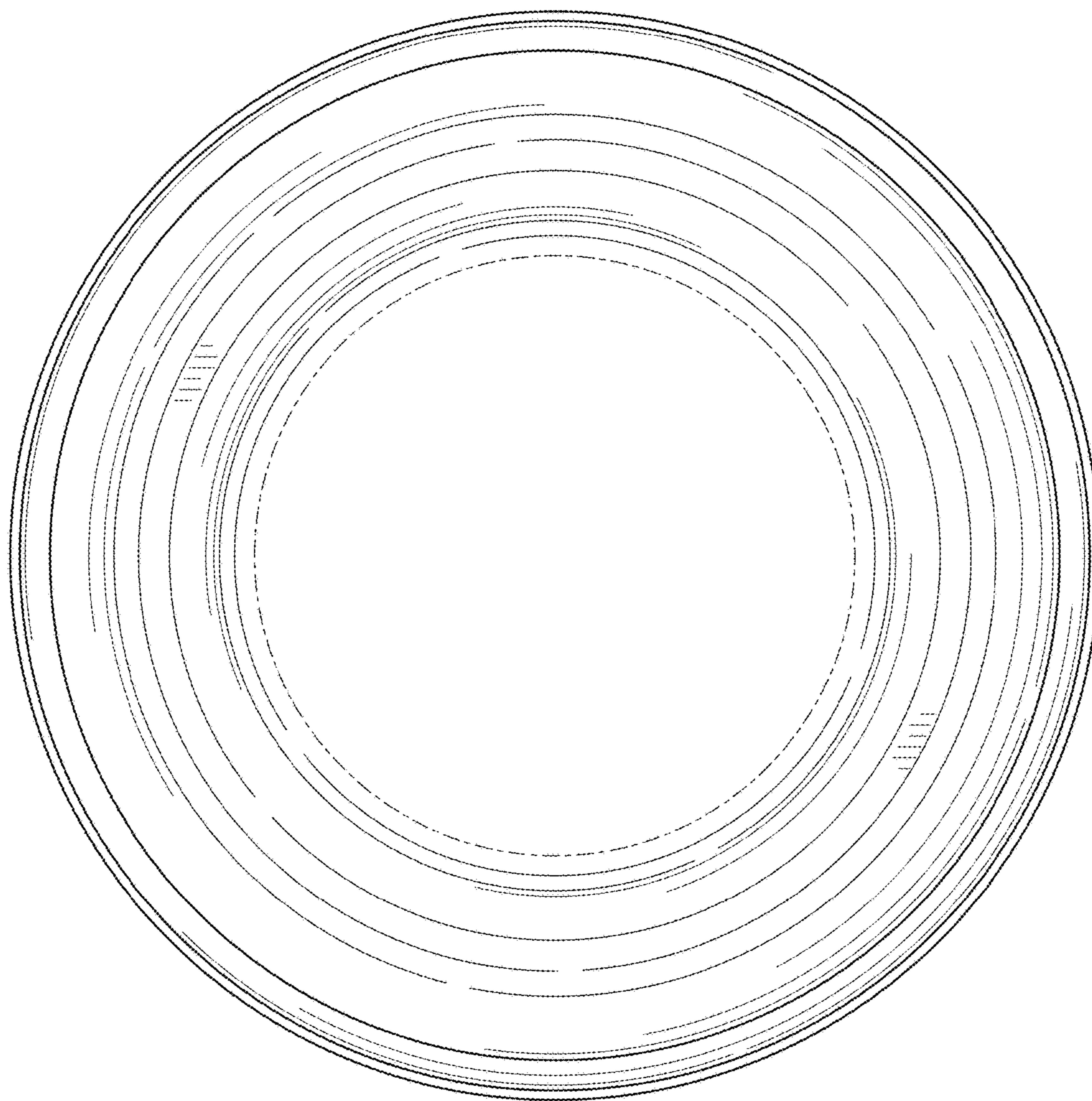


FIG. 6

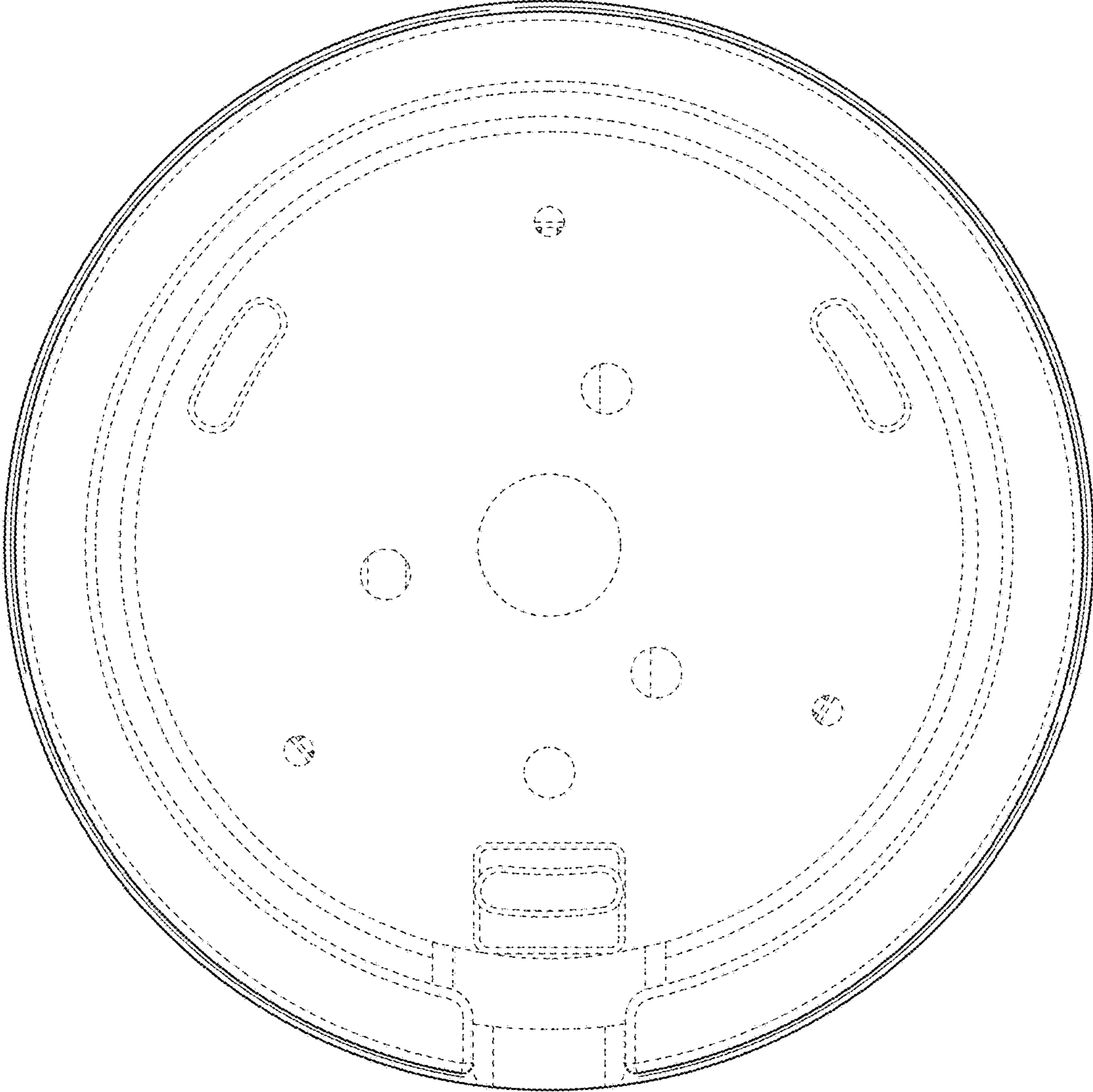


FIG. 7