



US00D794226S

(12) **United States Design Patent**  
**Englert et al.**

(10) **Patent No.:** **US D794,226 S**

(45) **Date of Patent:** **\*\* Aug. 8, 2017**

(54) **SPHERICAL LENS FOR A CAMERA**

(71) Applicant: **SPHERE OPTICS COMPANY, LLC**,  
Syracuse, NY (US)

(72) Inventors: **Robert S. Englert**, Jamesville, NY  
(US); **Meyer J. Giordano**, Syracuse,  
NY (US)

(73) Assignee: **SPHERE OPTICS COMPANY, LLC**,  
Syracuse, NY (US)

(\*\*) Term: **15 Years**

(21) Appl. No.: **29/558,207**

(22) Filed: **Mar. 16, 2016**

(51) **LOC (10) Cl.** ..... **26-04**

(52) **U.S. Cl.**  
USPC ..... **D26/2**

(58) **Field of Classification Search**  
USPC ..... D26/1-4; 313/313, 315, 316, 317, 318,  
313/493; 315/52, 53, 56, 57, 58  
CPC ..... H01R 5/00; H01R 13/46; H01R 31/048;  
H01R 31/02; H01J 5/16; H01J 1/02;  
H01J 15/00; H01J 5/48; H01J 5/50; H01J  
19/54; F21V 5/00  
See application file for complete search history.

(56) **References Cited**

**U.S. PATENT DOCUMENTS**

D532,532 S \* 11/2006 Maxik ..... D26/2  
D610,271 S \* 2/2010 Bi ..... D26/2

D616,120 S \* 5/2010 Wada ..... D26/2  
D631,571 S \* 1/2011 Bobel ..... D26/2  
D634,030 S \* 3/2011 Bobel ..... D26/2  
D646,802 S \* 10/2011 Guohui ..... D26/2

\* cited by examiner

*Primary Examiner* — Marcus Jackson

(74) *Attorney, Agent, or Firm* — Patrick J. Daugherty;  
Driggs, Hogg, Daugherty & Del Zoppo Co., LPA

(57) **CLAIM**

We claim the ornamental design for a spherical lens for a camera, as shown and described.

**DESCRIPTION**

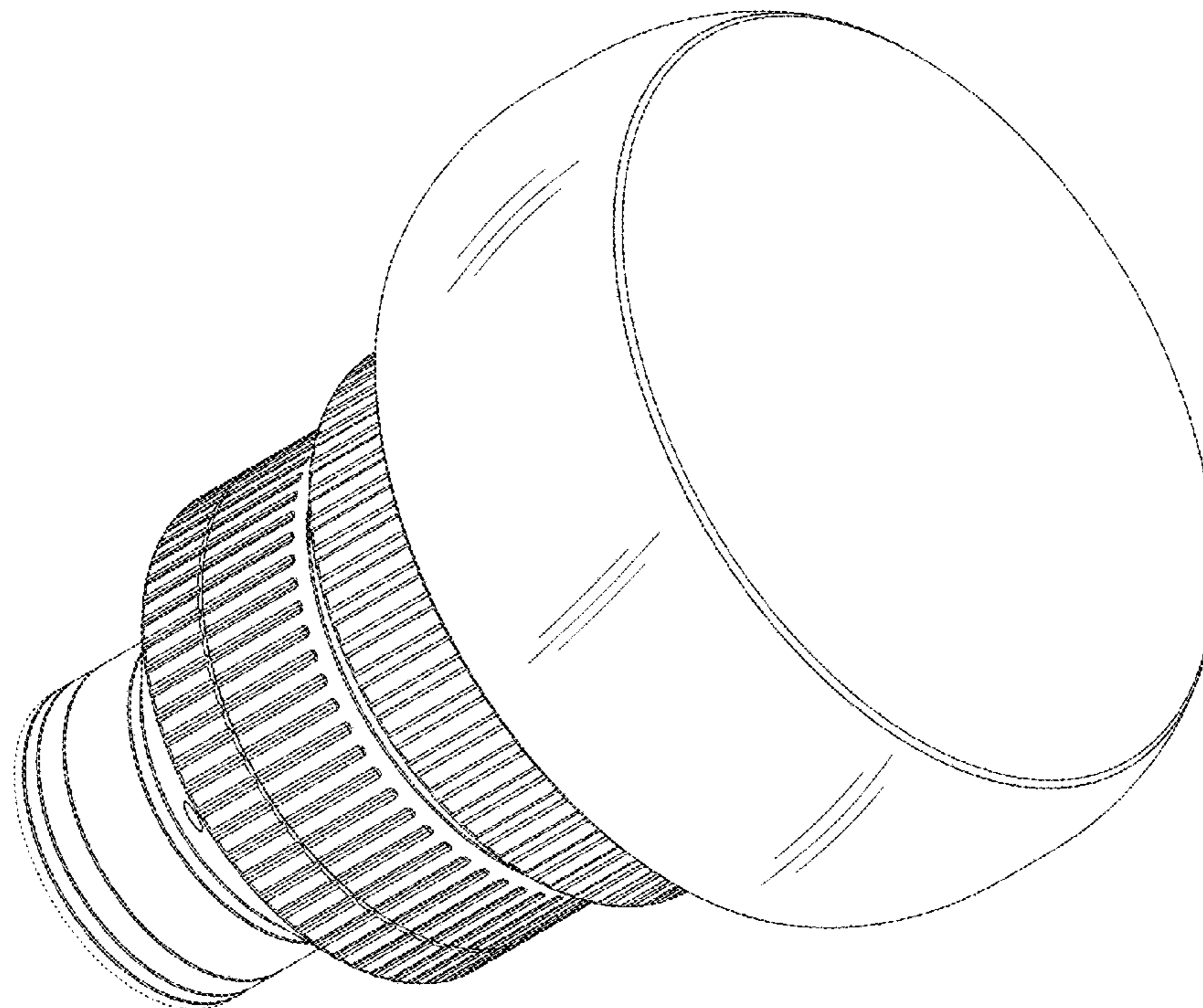
FIG. 1 is a front view of the spherical lens for a camera, wherein oblique line shading indicates transparent outer body surfaces, and wherein the back side, left side and right side views of the lens assembly are mirror image/symmetrical relative to each other;

FIG. 2 is a top side view of the spherical lens for a camera; FIG. 3 is a bottom side view of the spherical lens for a camera; and,

FIG. 4 is a left side perspective view of the spherical lens for a camera.

Any broken line(s) shown are for illustrative purposes only and form no part of the claimed design.

**1 Claim, 4 Drawing Sheets**



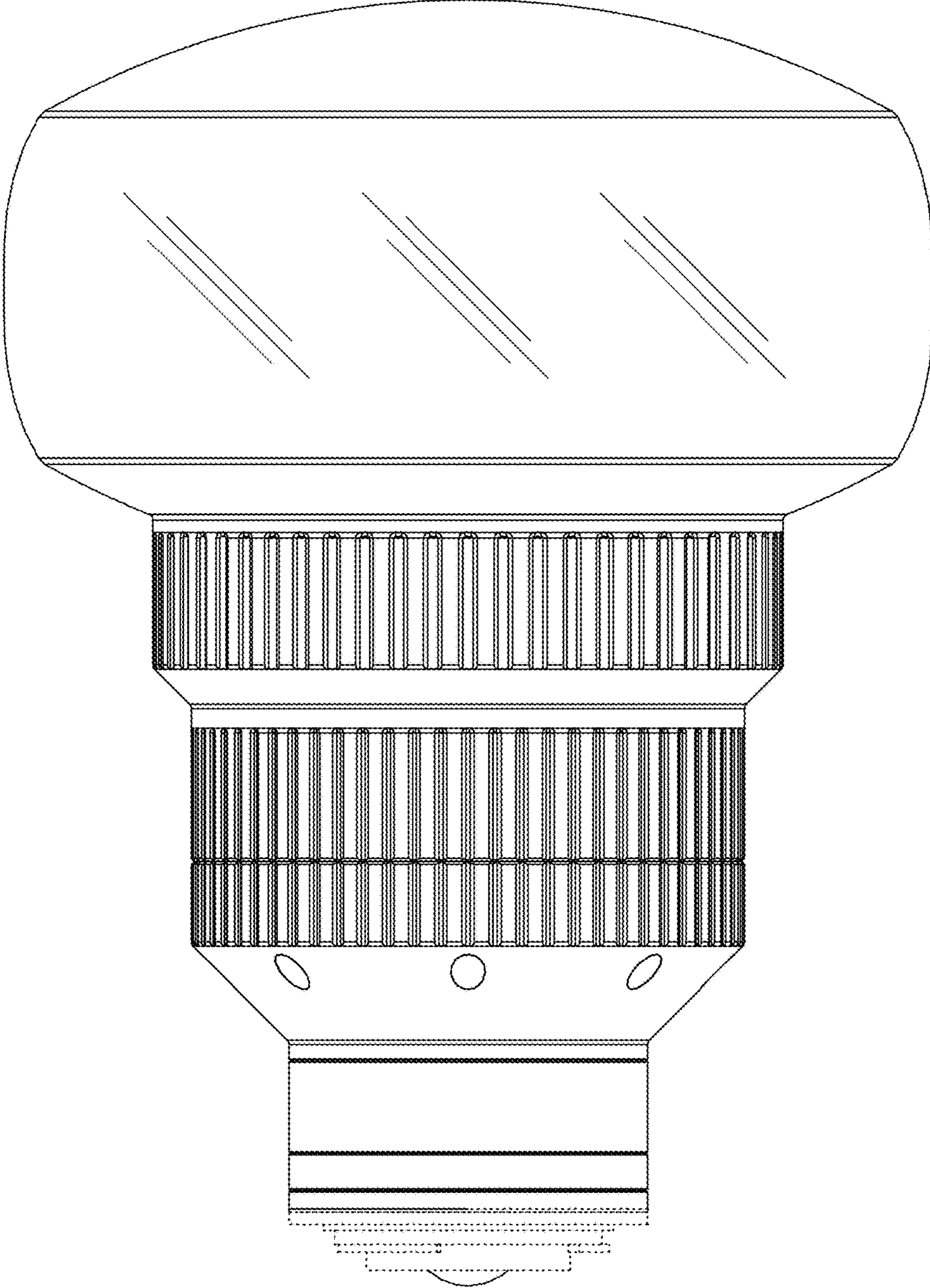


FIG. 1

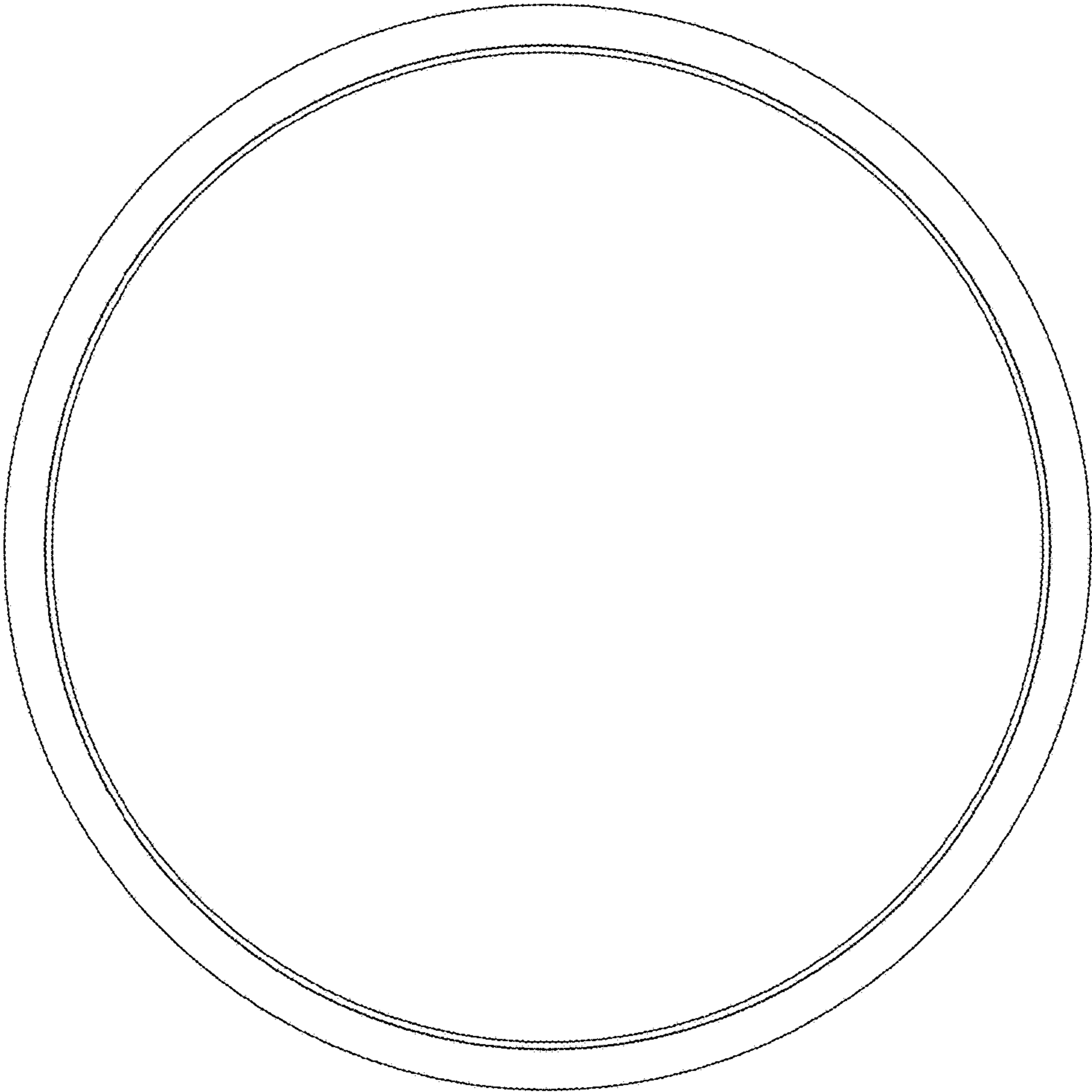


FIG. 2

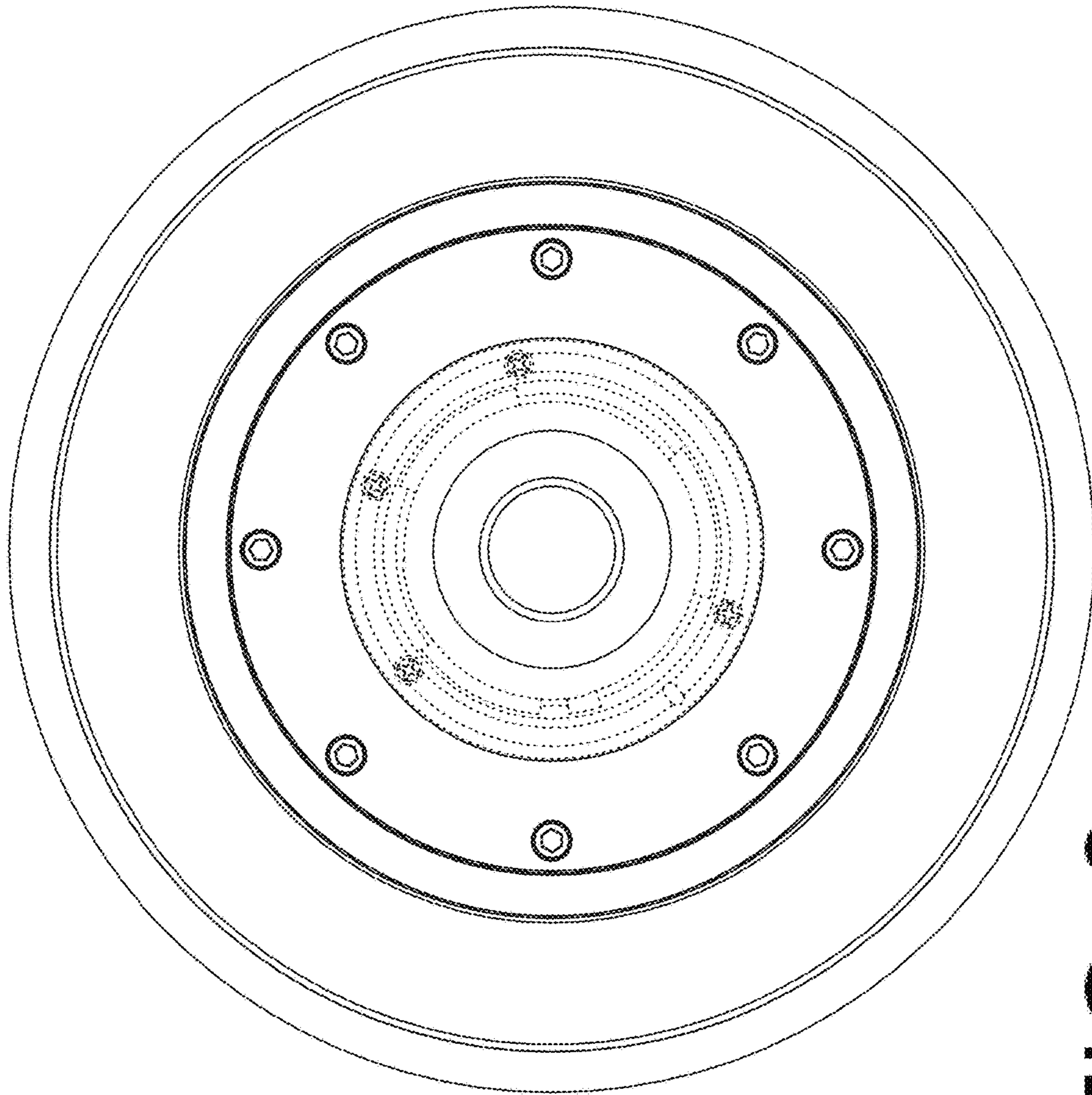


FIG. 3

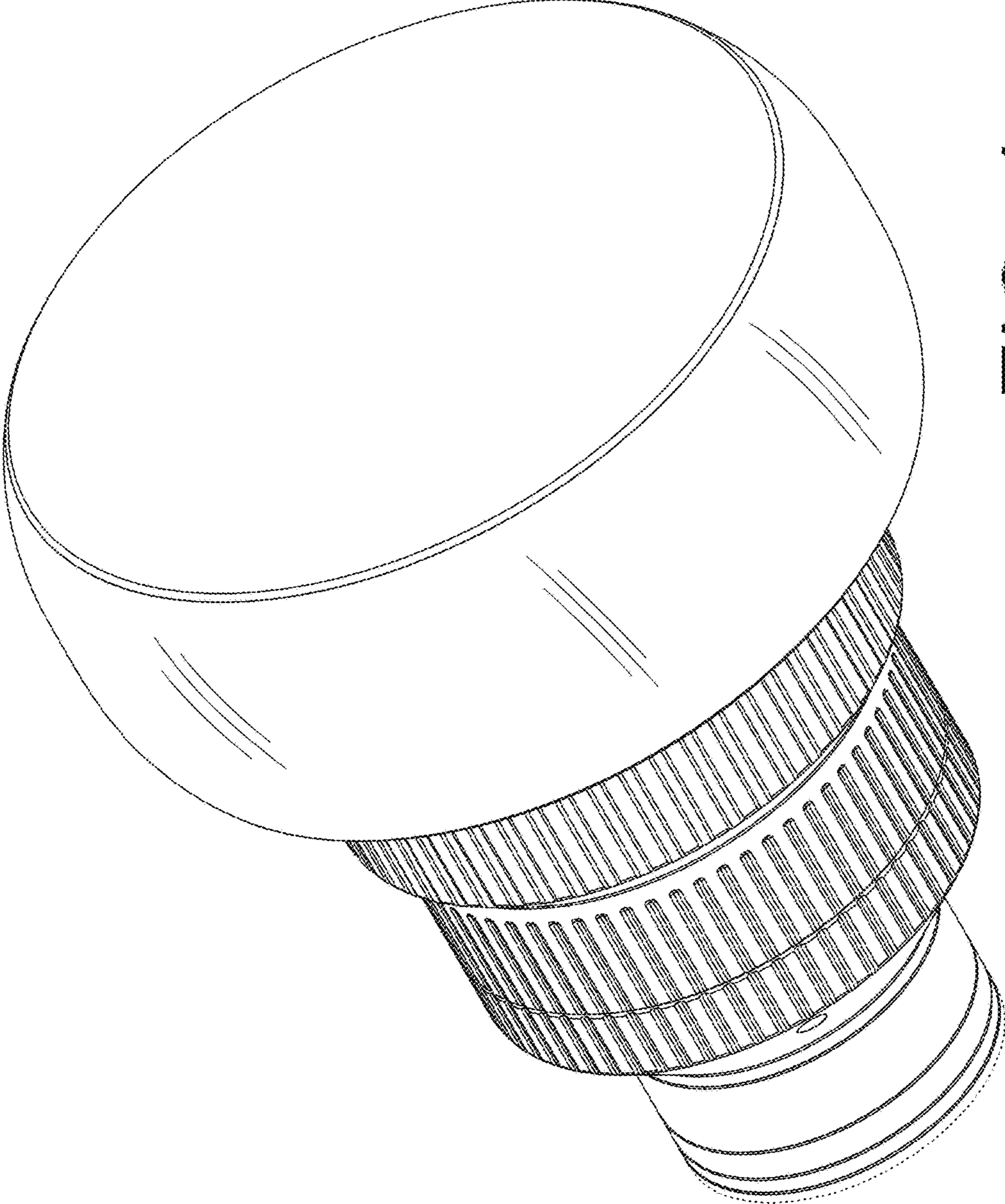


FIG. 4