



US00D794219S

(12) **United States Design Patent** (10) **Patent No.:** **US D794,219 S**
Tel-Oren et al. (45) **Date of Patent:** **** Aug. 8, 2017**

(54) **MODULAR BUILDING ROOF PANEL**

FOREIGN PATENT DOCUMENTS

(71) Applicant: **Biotekt USA LLC**, Colfax, WI (US)

CO 29874 12/2013

(72) Inventors: **Adiel Tel-Oren**, Colfax, WI (US);
Manuel Lago Granger, Cali (CO)

OTHER PUBLICATIONS

(73) Assignee: **BIOTEKT USA, LLC**, Colfax, WI (US)

<https://www.youtube.com/watch?v=lw8lqpl9EDs> Posted Mar. 11, 2017.*

(**) Term: **15 Years**

* cited by examiner

(21) Appl. No.: **29/562,399**

Primary Examiner — Susan Bennett Hattan

Assistant Examiner — Leanne Was-Englehart

(22) Filed: **Apr. 26, 2016**

(74) *Attorney, Agent, or Firm* — Dietz Law Office LLC

(51) **LOC (10) Cl.** **25-02**

(52) **U.S. Cl.**
USPC **D25/56**

(58) **Field of Classification Search**
USPC D25/35, 55, 56, 58, 60, 61, 138, 139,
D25/141; 52/13, 16, 73, 80.2, 95, 260,
52/282.4
CPC E04B 7/105

See application file for complete search history.

(57) **CLAIM**

The ornamental design for a modular building roof panel, as shown and described.

DESCRIPTION

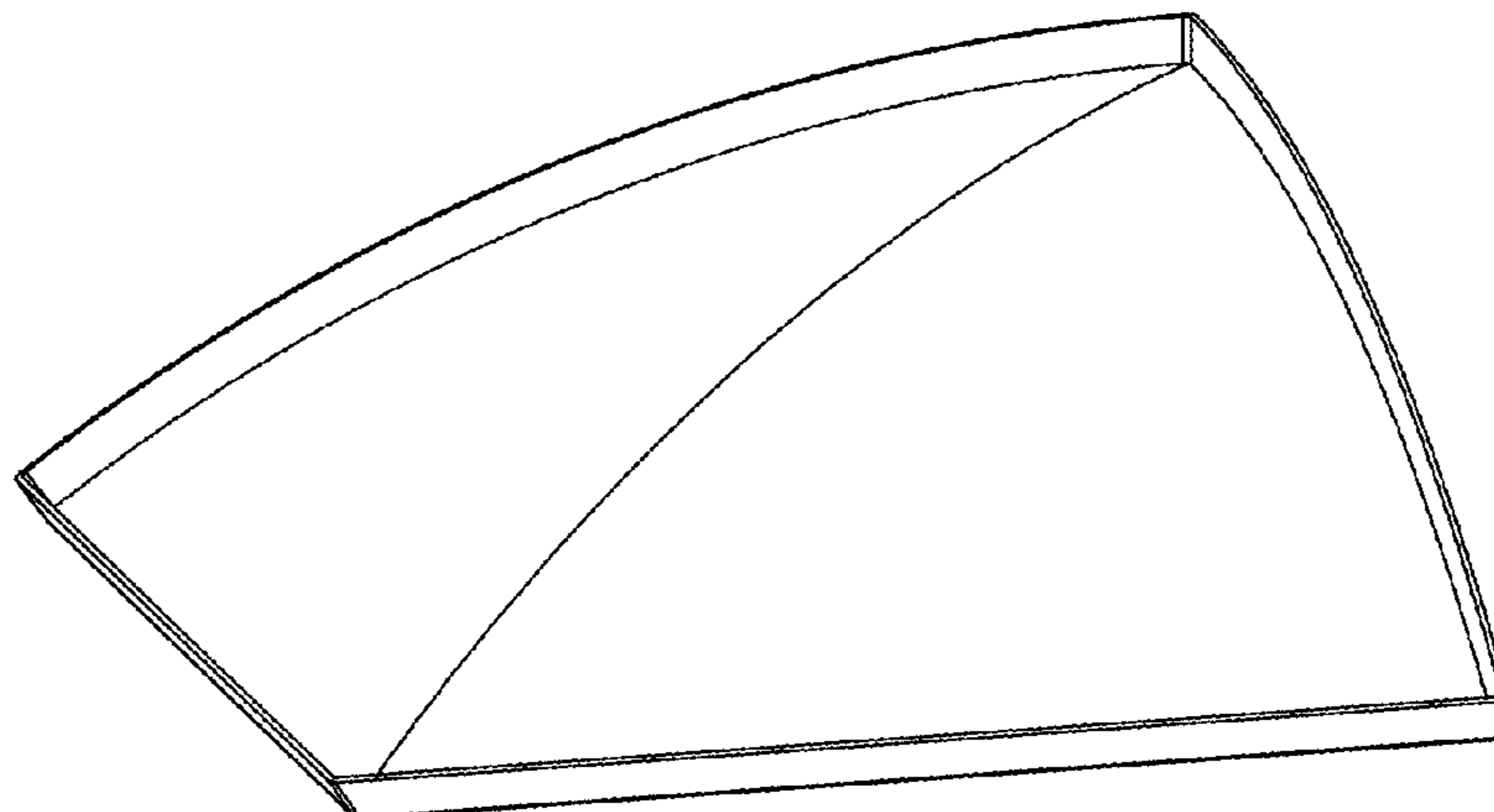
FIG. 1 is a front upper perspective view of the modular building roof panel of the present invention; FIG. 2 is a front elevational view of the modular building roof panel of the present invention shown in FIG. 1; FIG. 3 is a back elevational view of the modular building roof panel of the present invention shown in FIG. 1; FIG. 4 is a left side elevational view of the modular building roof panel of the present invention shown in FIG. 1; FIG. 5 is a right side elevational view of the modular building roof panel of the present invention shown in FIG. 1; FIG. 6 is a top plan view of the modular building roof panel of the present invention shown in FIG. 1; FIG. 7 is a bottom plan view of the modular building roof panel of the present invention shown in FIG. 1; and, FIG. 8 is a back lower perspective view of the modular building roof panel of the present invention shown in FIG. 1.

(56) **References Cited**

U.S. PATENT DOCUMENTS

- 3,090,162 A * 5/1963 Baroni E04B 7/105
52/13
- 3,299,585 A * 1/1967 Wilkins E04B 1/32
52/13
- 3,729,876 A * 5/1973 Kolozsvary E04B 1/34378
52/394
- D382,348 S * 8/1997 Dattner D25/1
- D400,266 S * 10/1998 Dattner D25/35
- D683,048 S 5/2013 Yoder et al.
- D683,469 S 5/2013 Yoder et al.
- D708,348 S 7/2014 Yoder et al.
- D708,349 S 7/2014 Yoder et al.
- D727,531 S 4/2015 Gill et al.
- 2010/0313490 A1 * 12/2010 Park E04B 1/3205
52/80.1
- 2013/0061539 A1 * 3/2013 Ellen E04B 7/102
52/80.2

1 Claim, 8 Drawing Sheets



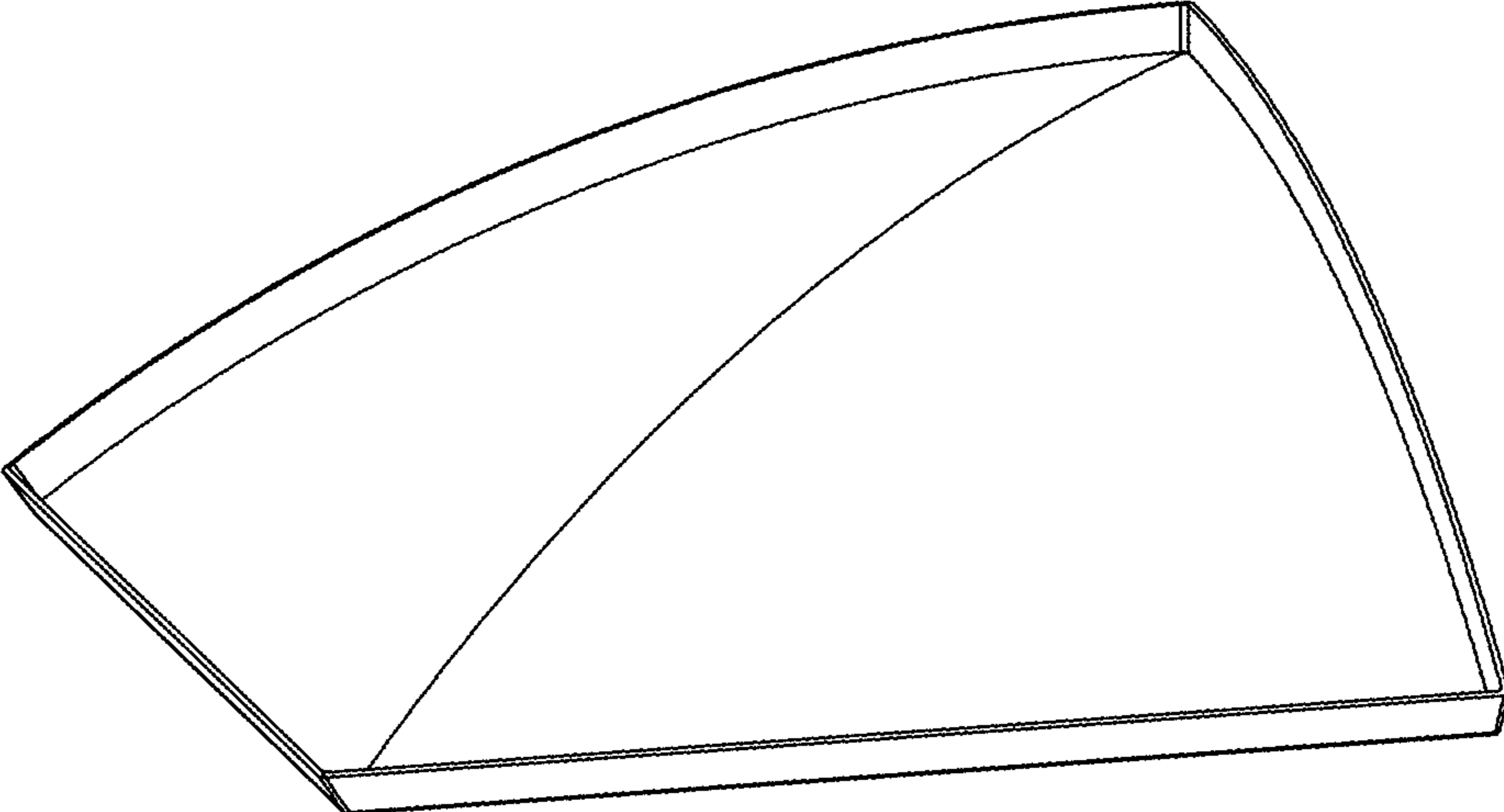


FIG. 1

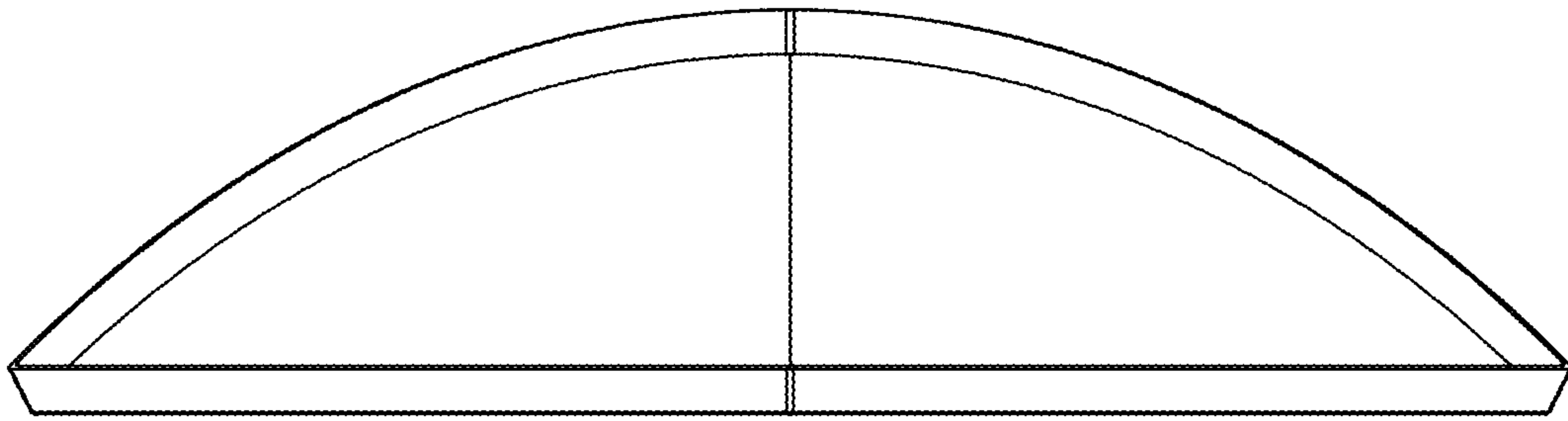


FIG. 2

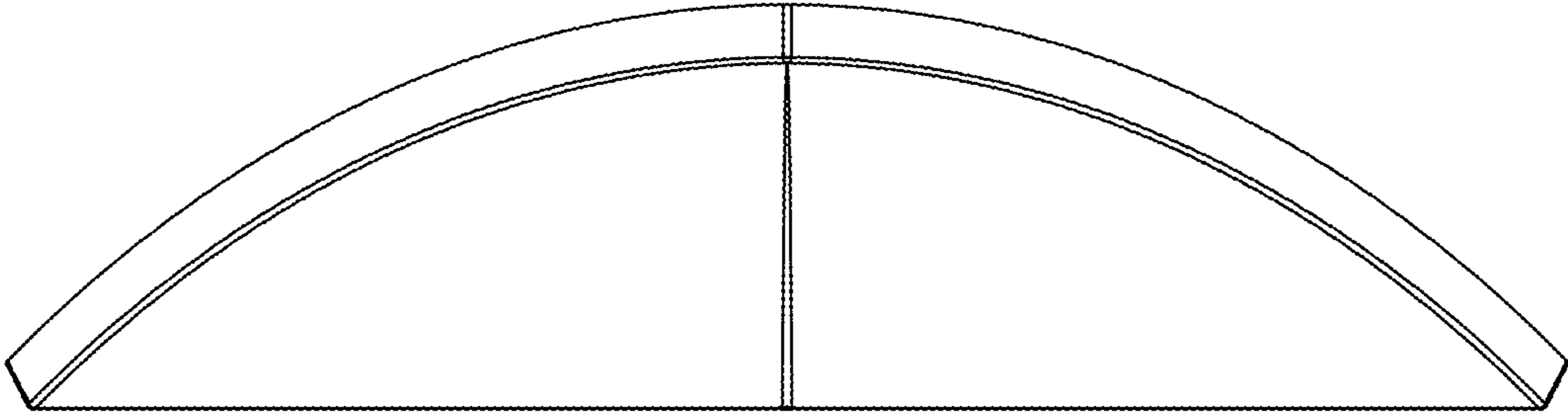


FIG. 3

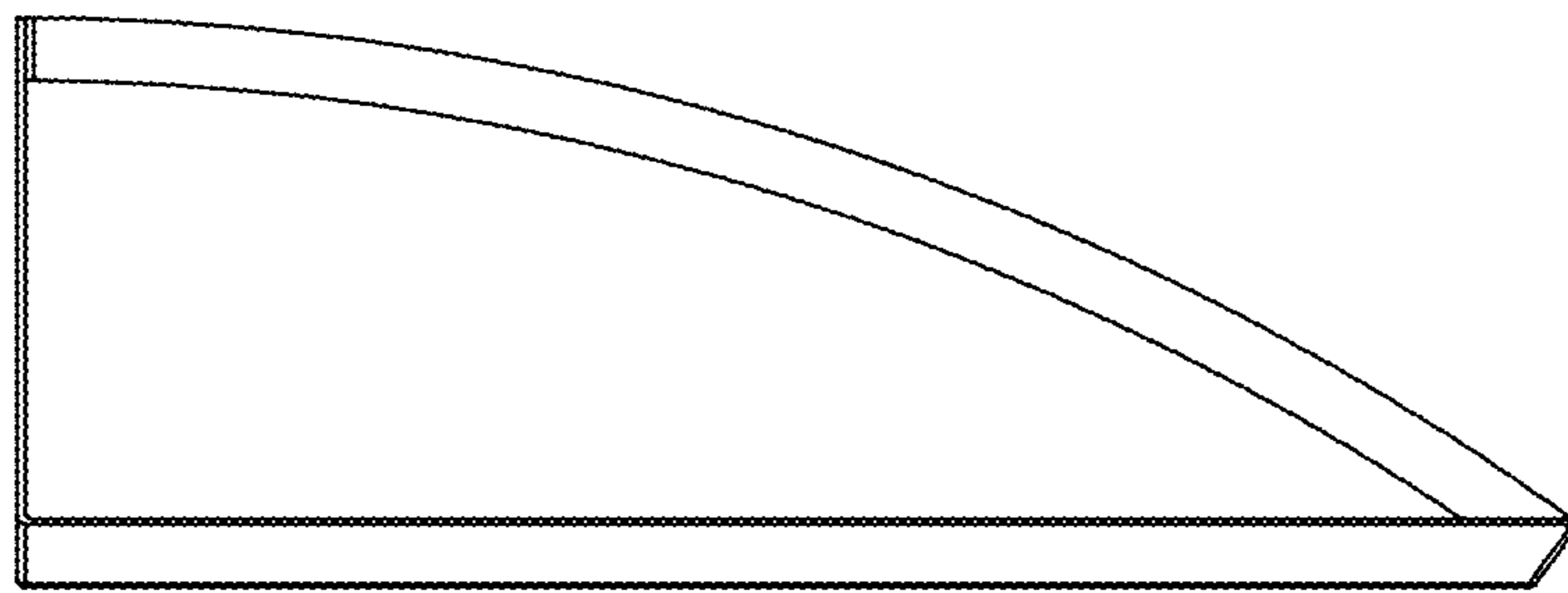


FIG. 4

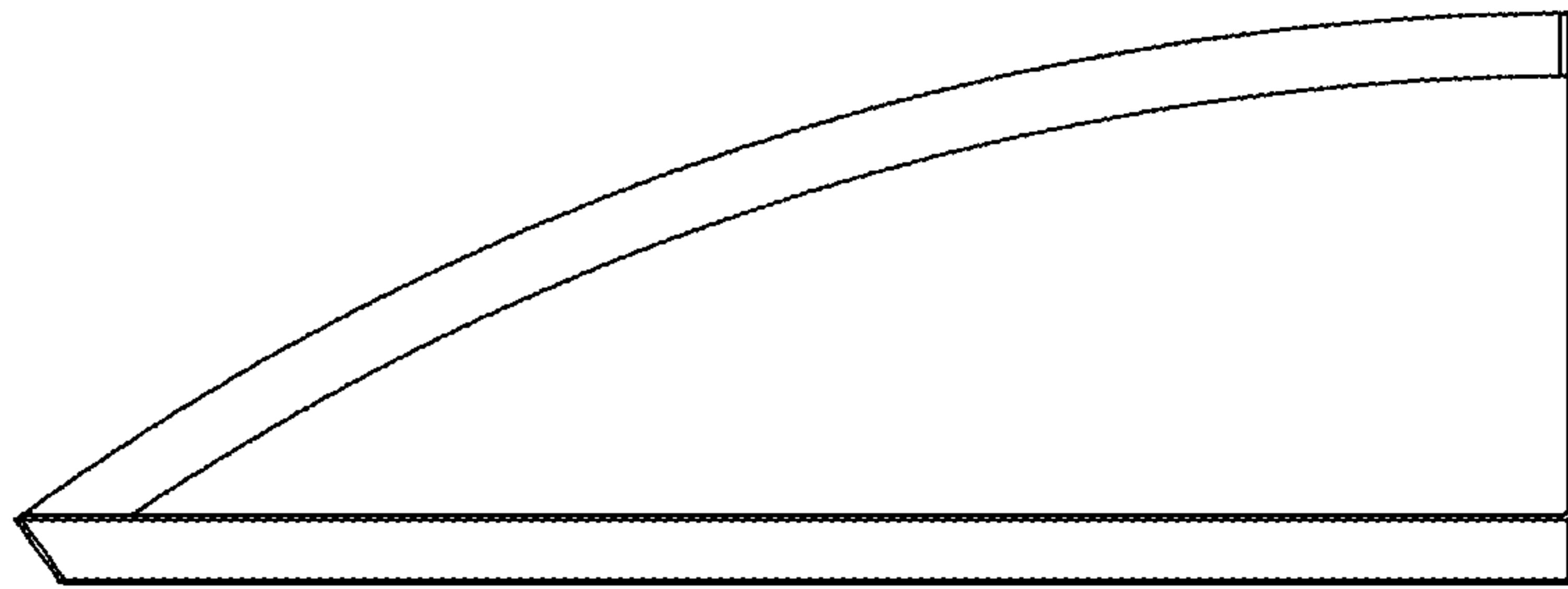


FIG. 5

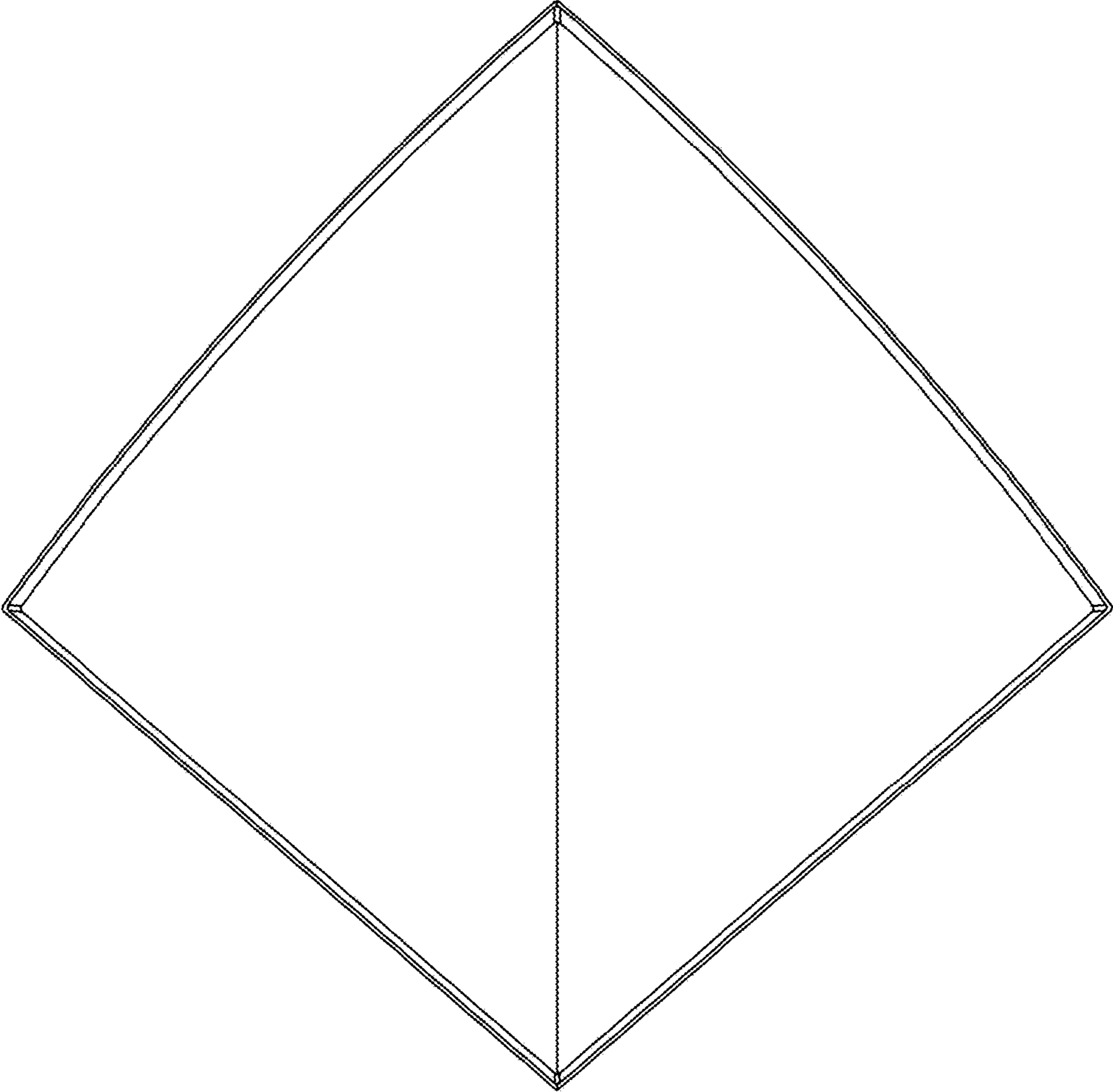


FIG. 6

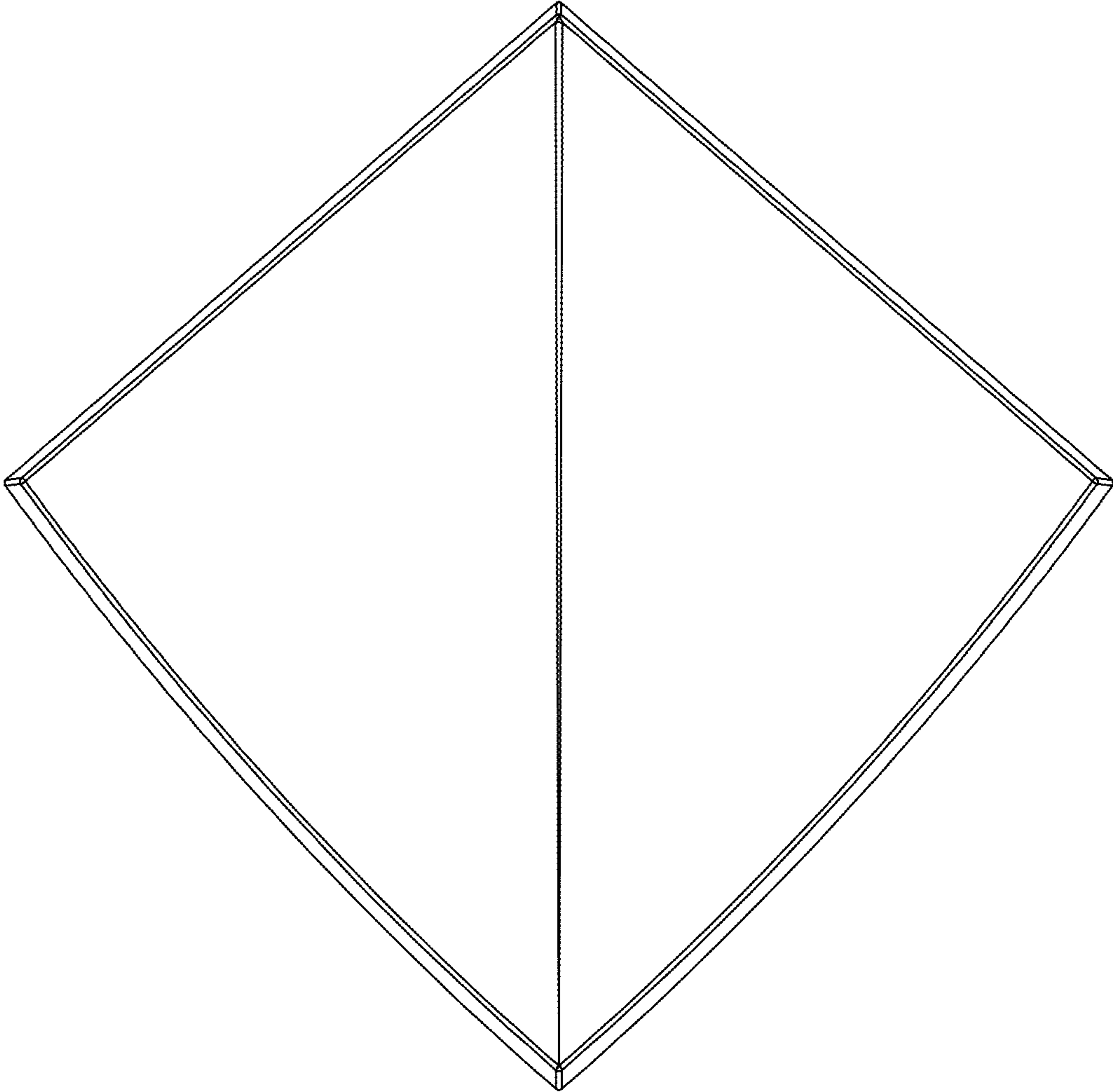


FIG. 7

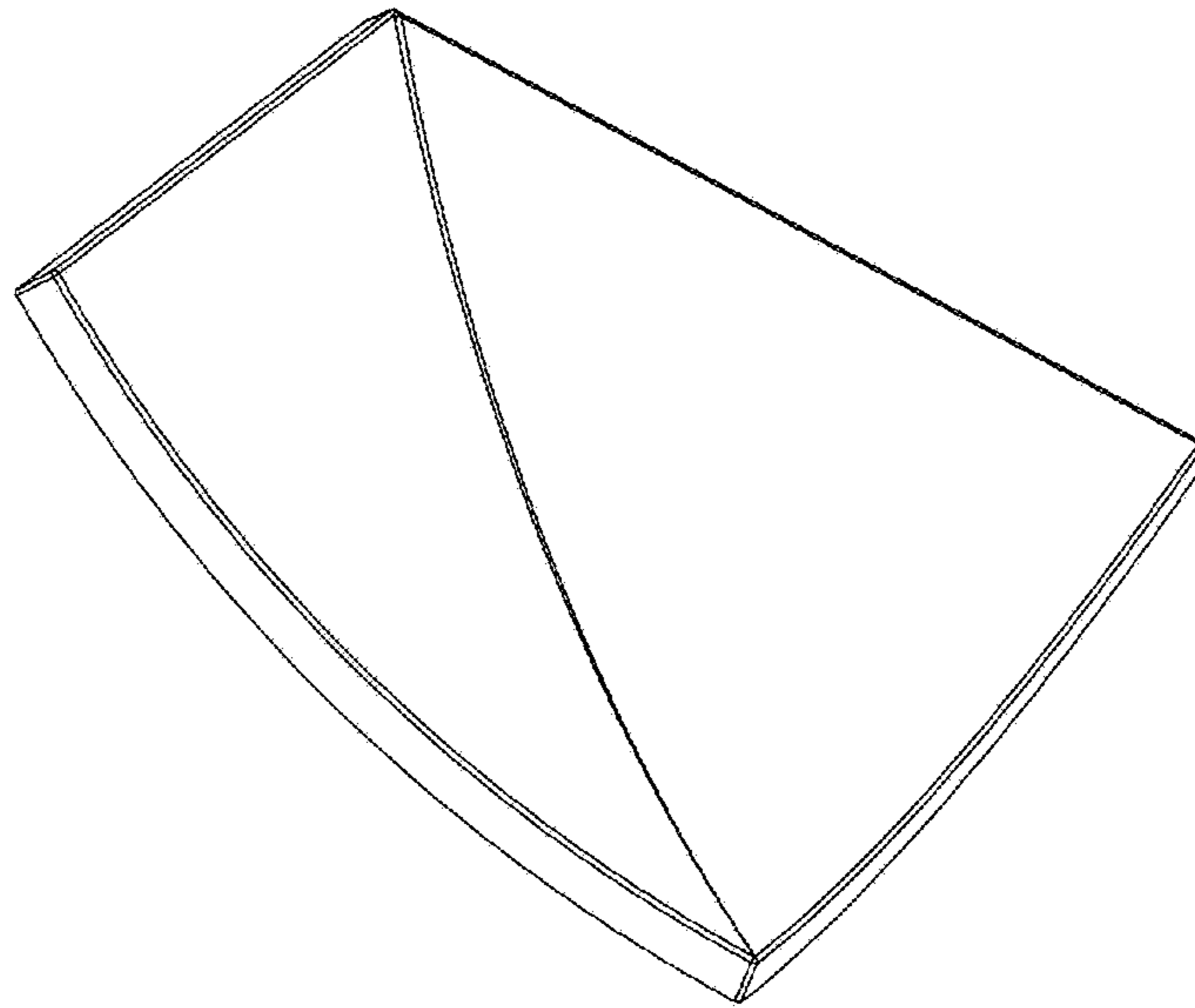


FIG. 8