



US00D794217S

(12) **United States Design Patent** (10) **Patent No.:** **US D794,217 S**  
**Tel-Oren et al.** (45) **Date of Patent:** **\*\* Aug. 8, 2017**

(54) **MODULAR BUILDING WINDOW PANEL**

FOREIGN PATENT DOCUMENTS

(71) Applicant: **Biotekt USA LLC**, Colfax, WI (US)

CO 29874 12/2013

(72) Inventors: **Adiel Tel-Oren**, Colfax, WI (US);  
**Manuel Lago Granger**, Cali (CO)

OTHER PUBLICATIONS

(73) Assignee: **BIOTEKT USA, LLC**, Colfax, WI (US)

<https://www.youtube.com/watch?v=lw8lqpl9EDs> Posted Mar. 11, 2017.\*

<http://www.biotekt.com/systems-1-1/> Retrieved Mar. 15, 2017.\*

(\*\*) Term: **15 Years**

\* cited by examiner

(21) Appl. No.: **29/562,400**

*Primary Examiner* — Susan Bennett Hattan

*Assistant Examiner* — Leanne Was-Englehart

(22) Filed: **Apr. 26, 2016**

(74) *Attorney, Agent, or Firm* — Dietz Law Office LLC

(51) **LOC (10) Cl.** ..... **25-01**

(52) **U.S. Cl.**  
USPC ..... **D25/48.7**

(57) **CLAIM**

The ornamental design for a modular building window panel, as shown and described.

(58) **Field of Classification Search**  
USPC ..... D25/47.1, 48.1, 48.2, 48.3, 48.7, 60;  
52/90.1, 136, 173.3, 250, 454  
See application file for complete search history.

**DESCRIPTION**

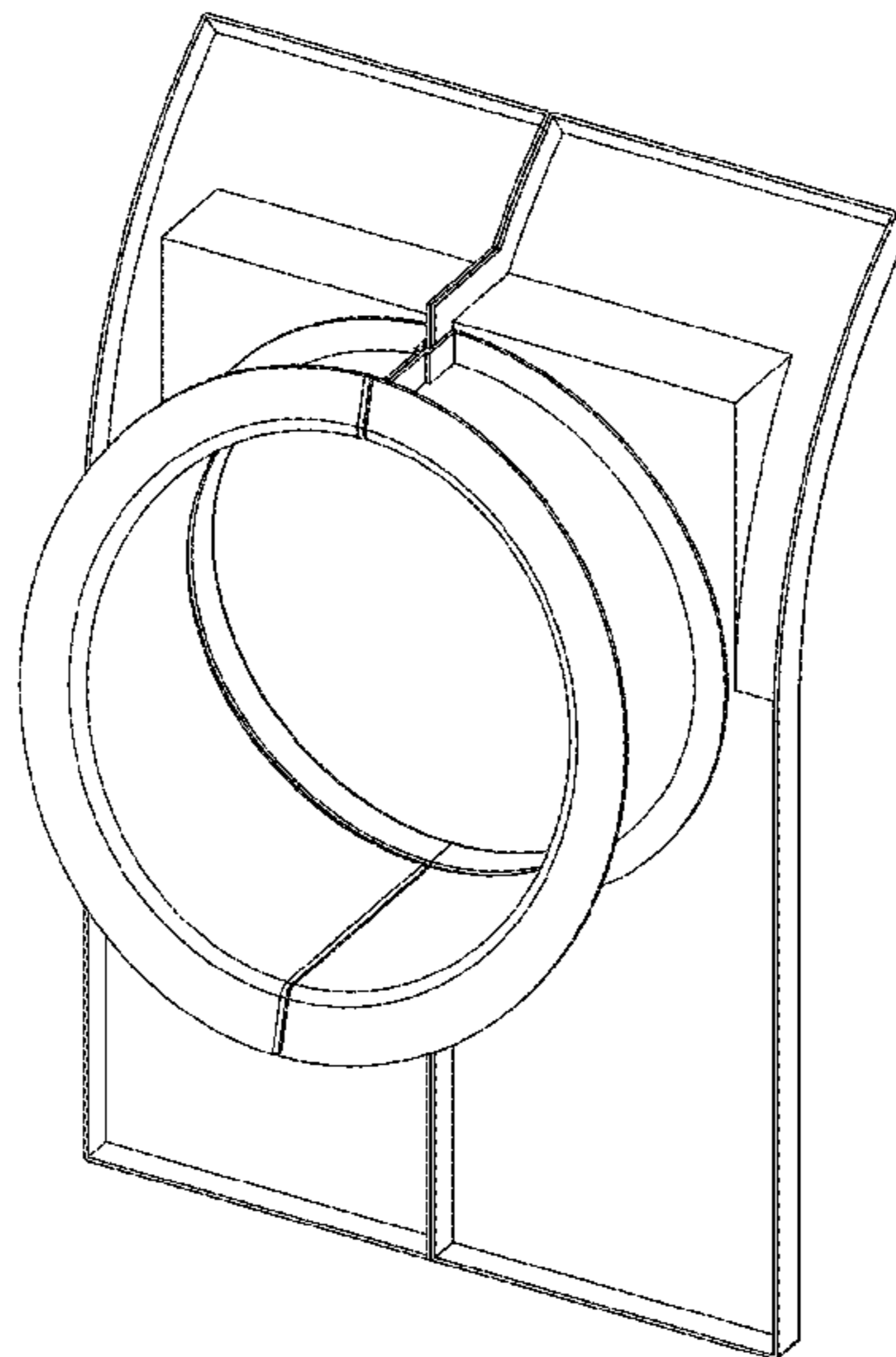
(56) **References Cited**

U.S. PATENT DOCUMENTS

D174,122 S *	3/1955	Graham	.....	D25/19
3,147,736 A *	9/1964	Daniel	.....	A01K 1/033
				119/482
D237,964 S *	12/1975	Choponis	.....	D25/16
D629,917 S *	12/2010	Kitagawa	.....	D25/35
D683,048 S	5/2013	Yoder et al.		
D683,469 S	5/2013	Yoder et al.		
D708,348 S	7/2014	Yoder et al.		
D708,349 S	7/2014	Yoder et al.		
D727,531 S	4/2015	Gill et al.		
D739,614 S *	9/2015	Ausman	.....	D30/121
2009/0013615 A1 *	1/2009	Kitagawa	.....	E04B 1/3205
				52/79.12
2010/0313490 A1 *	12/2010	Park	.....	E04B 1/3205
				52/80.1

FIG. 1 is a front upper perspective view of the modular building window panel of the present invention; FIG. 2 is a front elevational view of the modular building window panel of the present invention shown in FIG. 1; FIG. 3 is a back elevational view of the modular building window panel of the present invention shown in FIG. 1; FIG. 4 is a left side elevational view of the modular building window panel of the present invention shown in FIG. 1; FIG. 5 is a right side elevational view of the modular building window panel of the present invention shown in FIG. 1; FIG. 6 is a top plan view of the modular building window panel of the present invention shown in FIG. 1; FIG. 7 is a bottom plan view of the modular building window panel of the present invention shown in FIG. 1; and, FIG. 8 is a back lower perspective view of the modular building window panel of the present invention shown in FIG. 1.

**1 Claim, 8 Drawing Sheets**



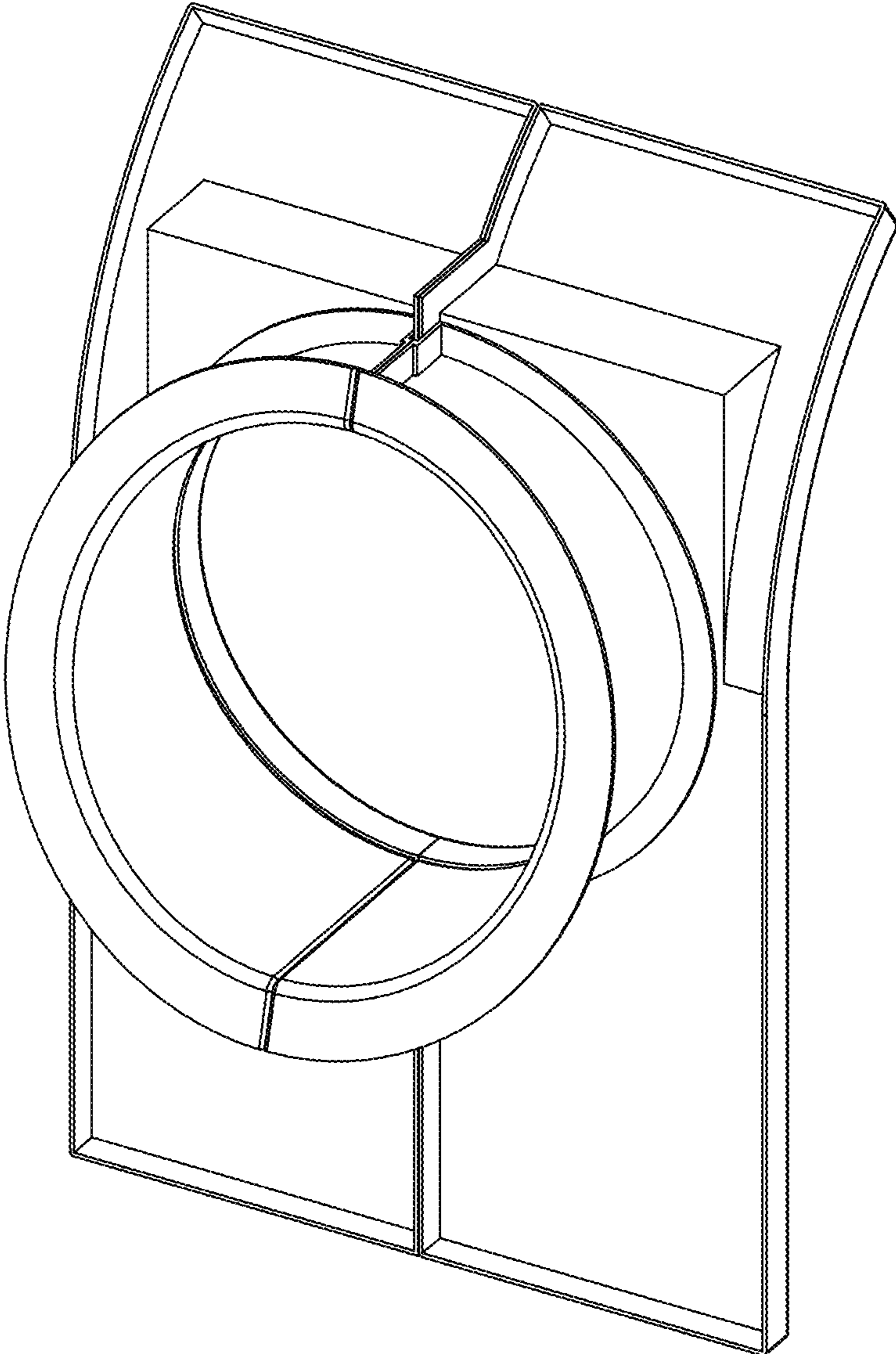


FIG. 1

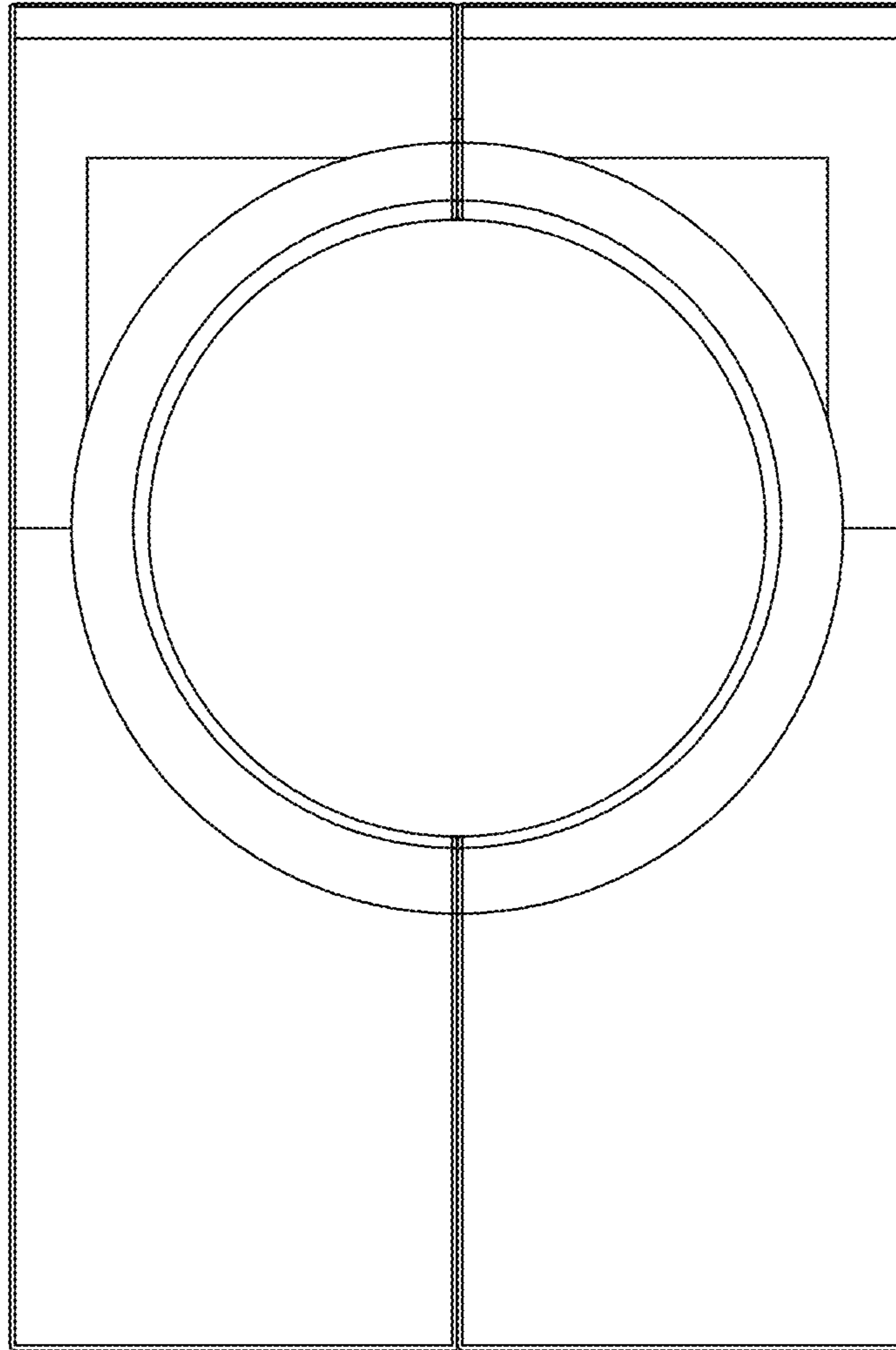


FIG. 2

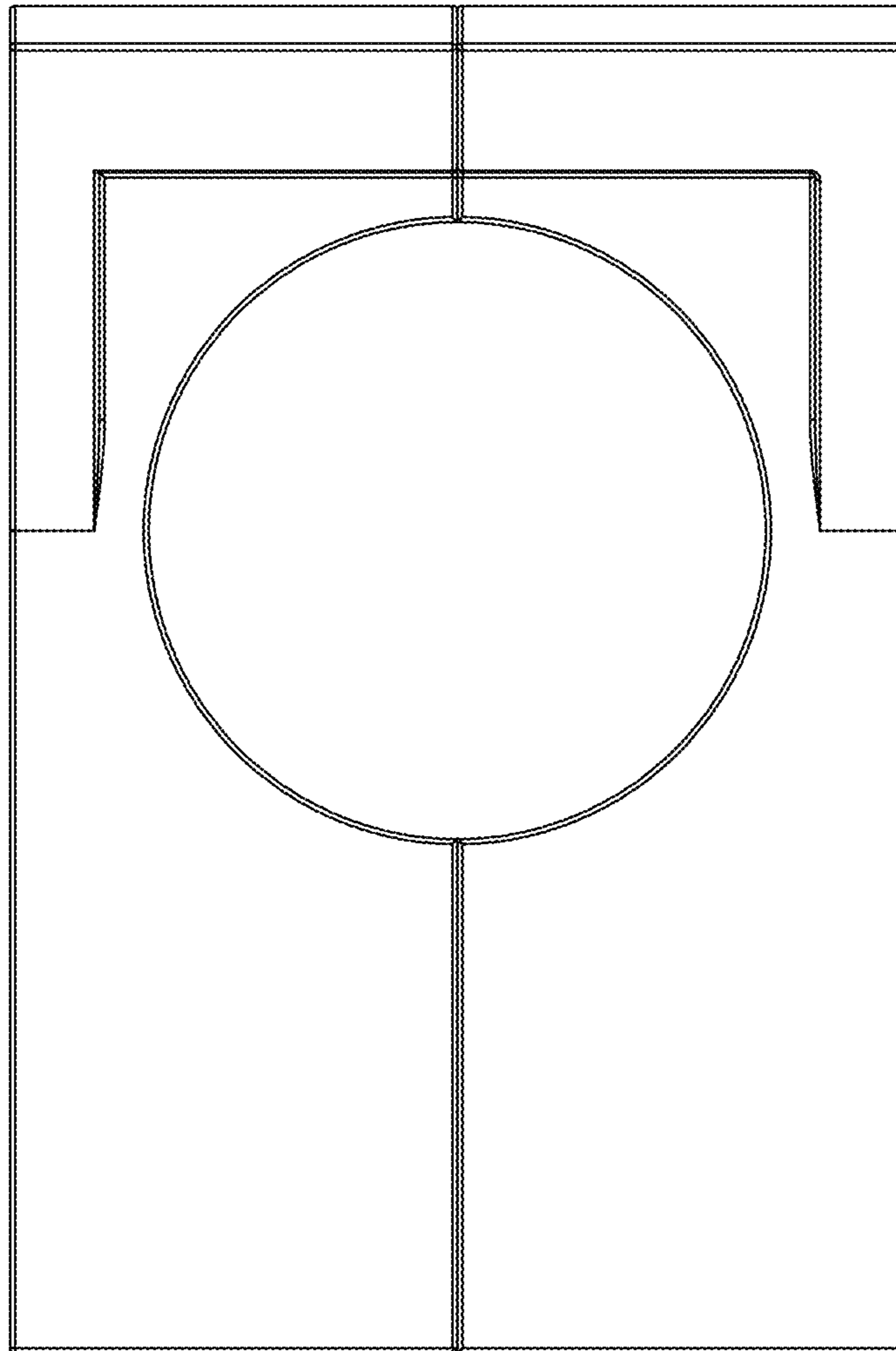


FIG. 3

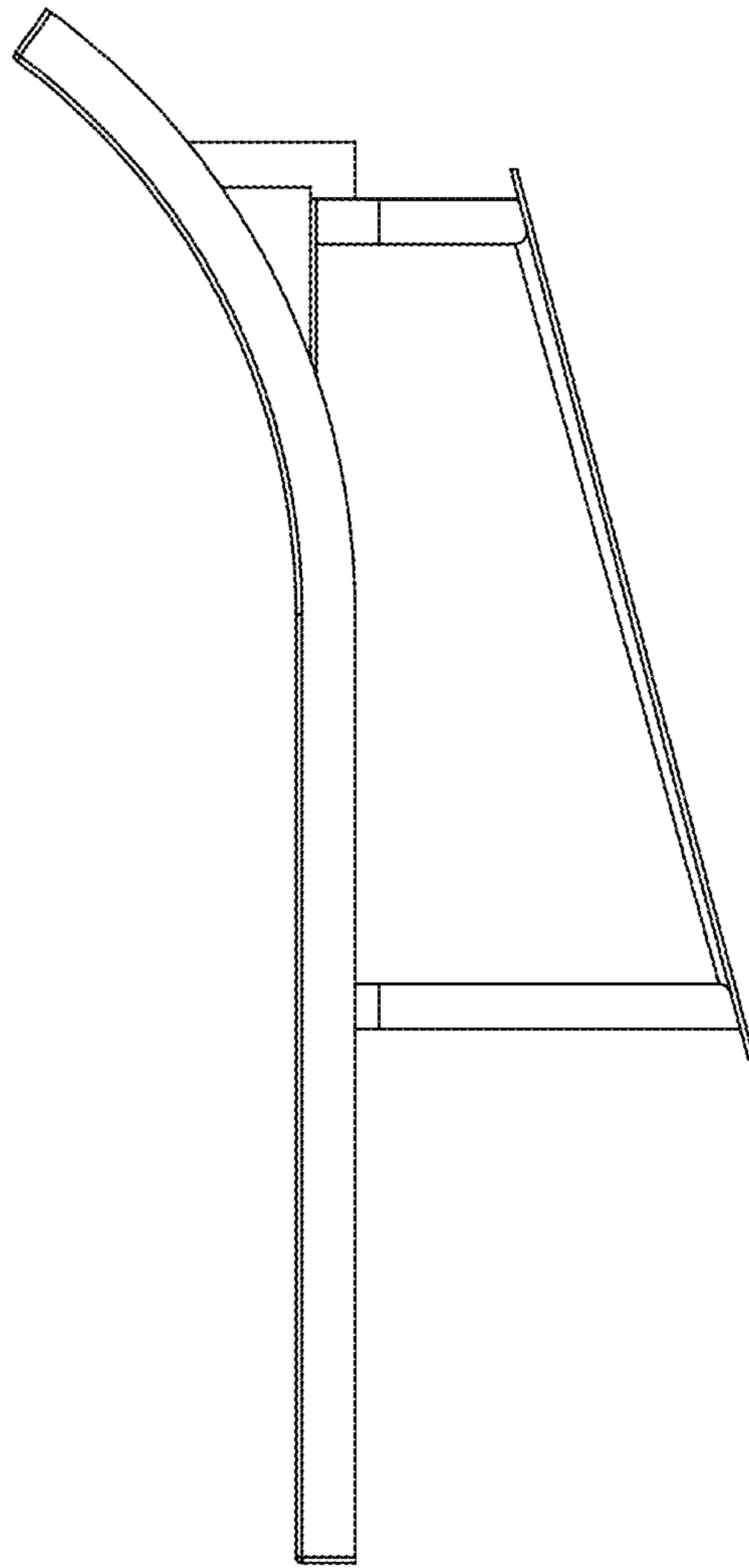


FIG. 4

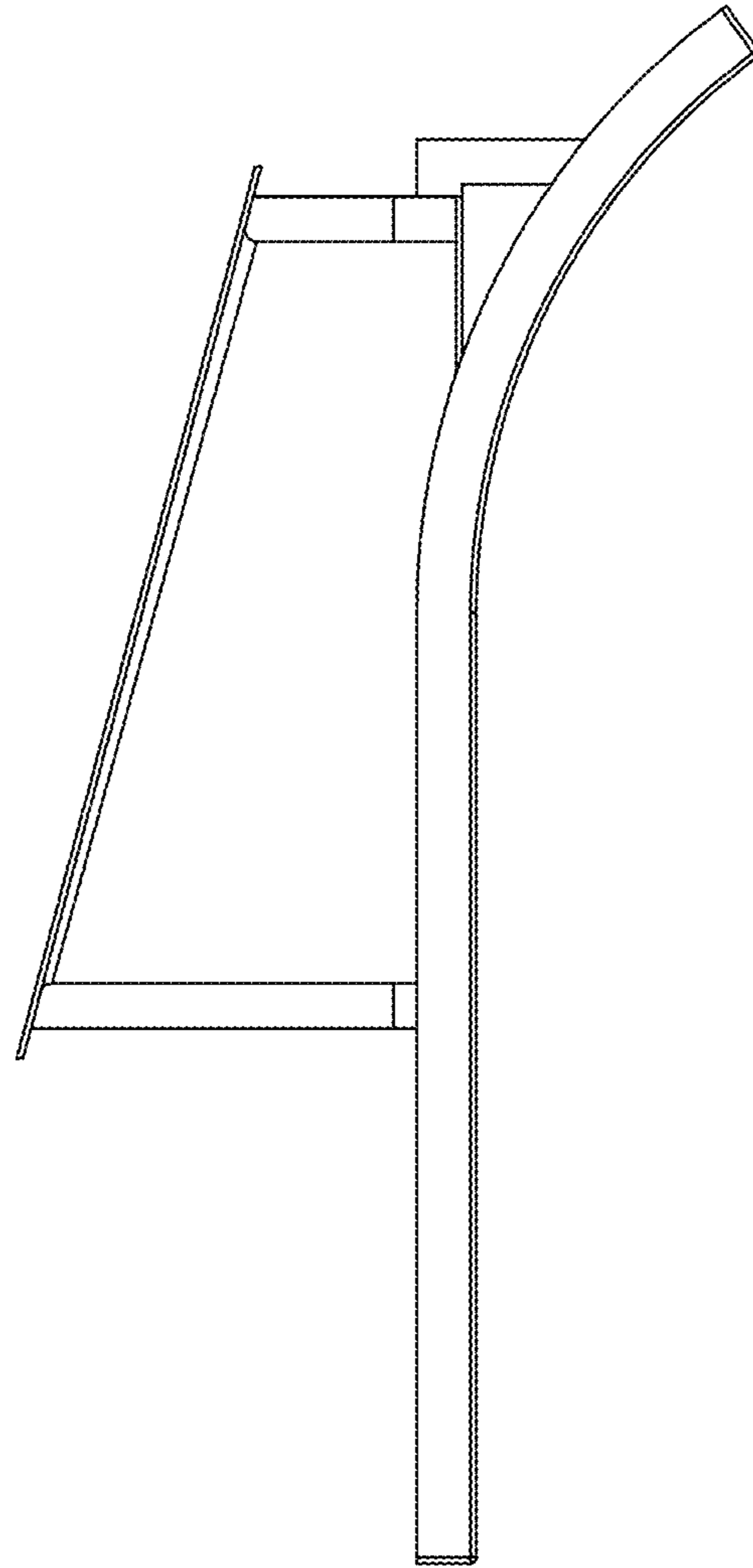


FIG. 5

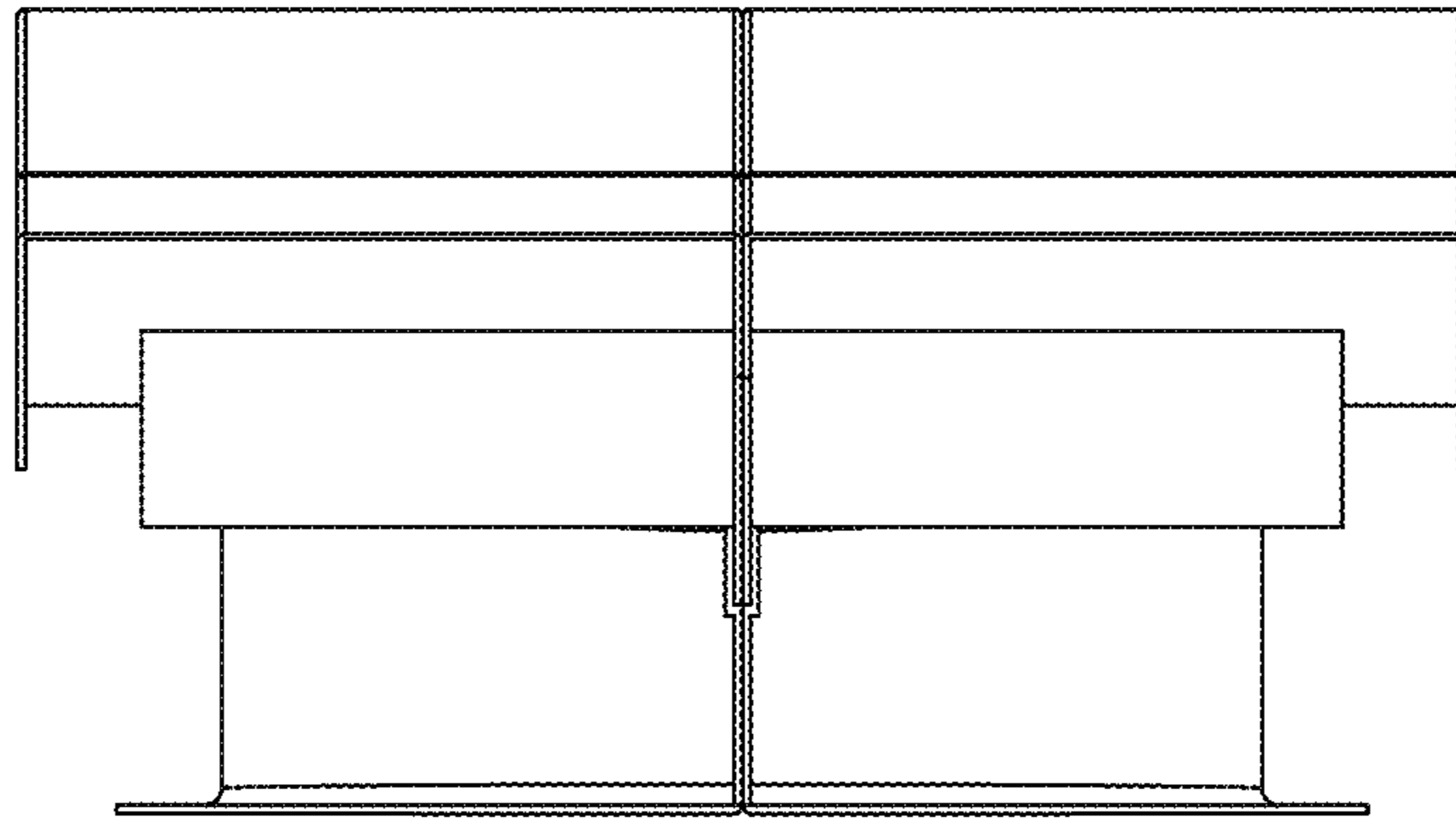


FIG. 6



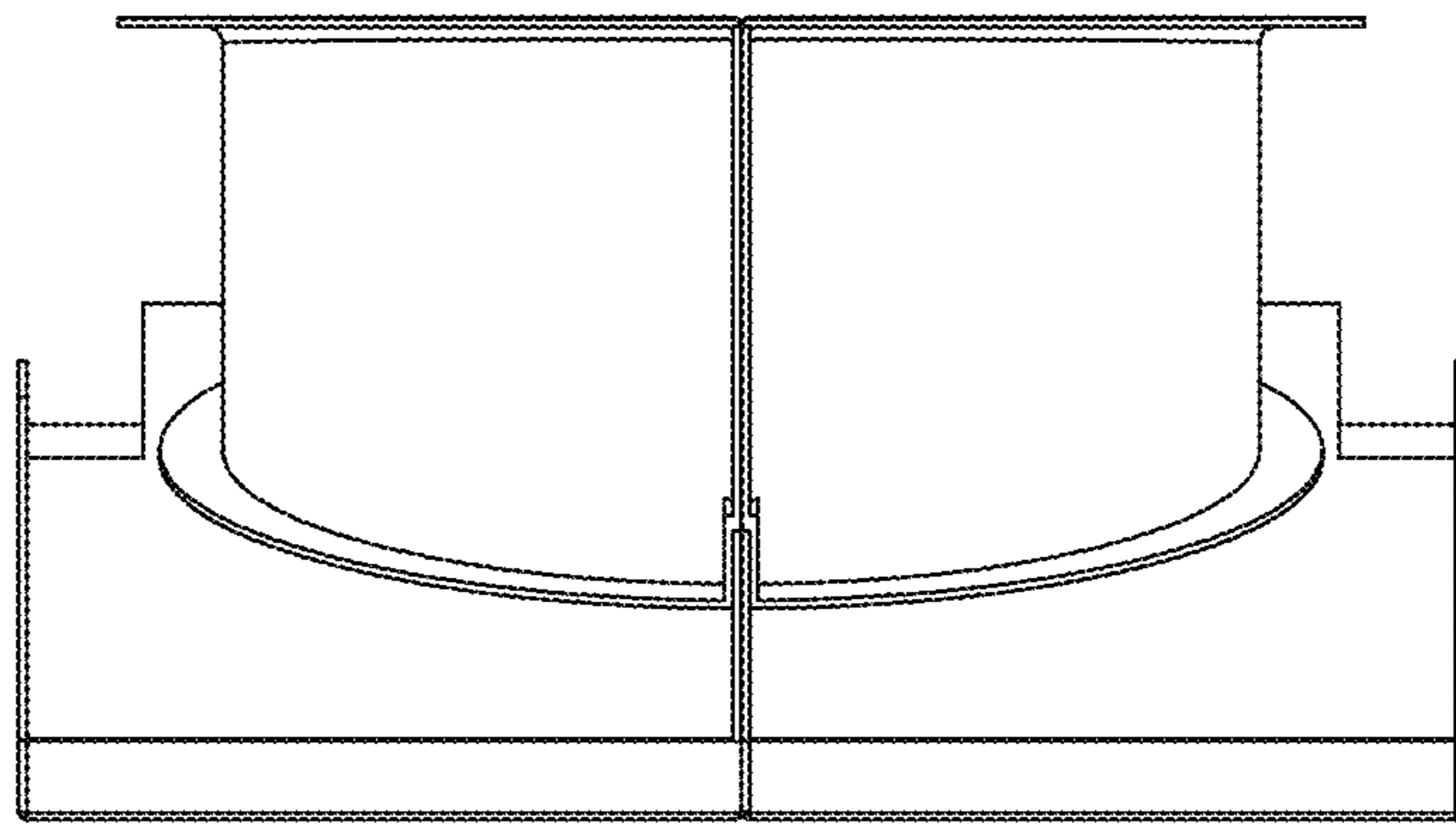


FIG. 7



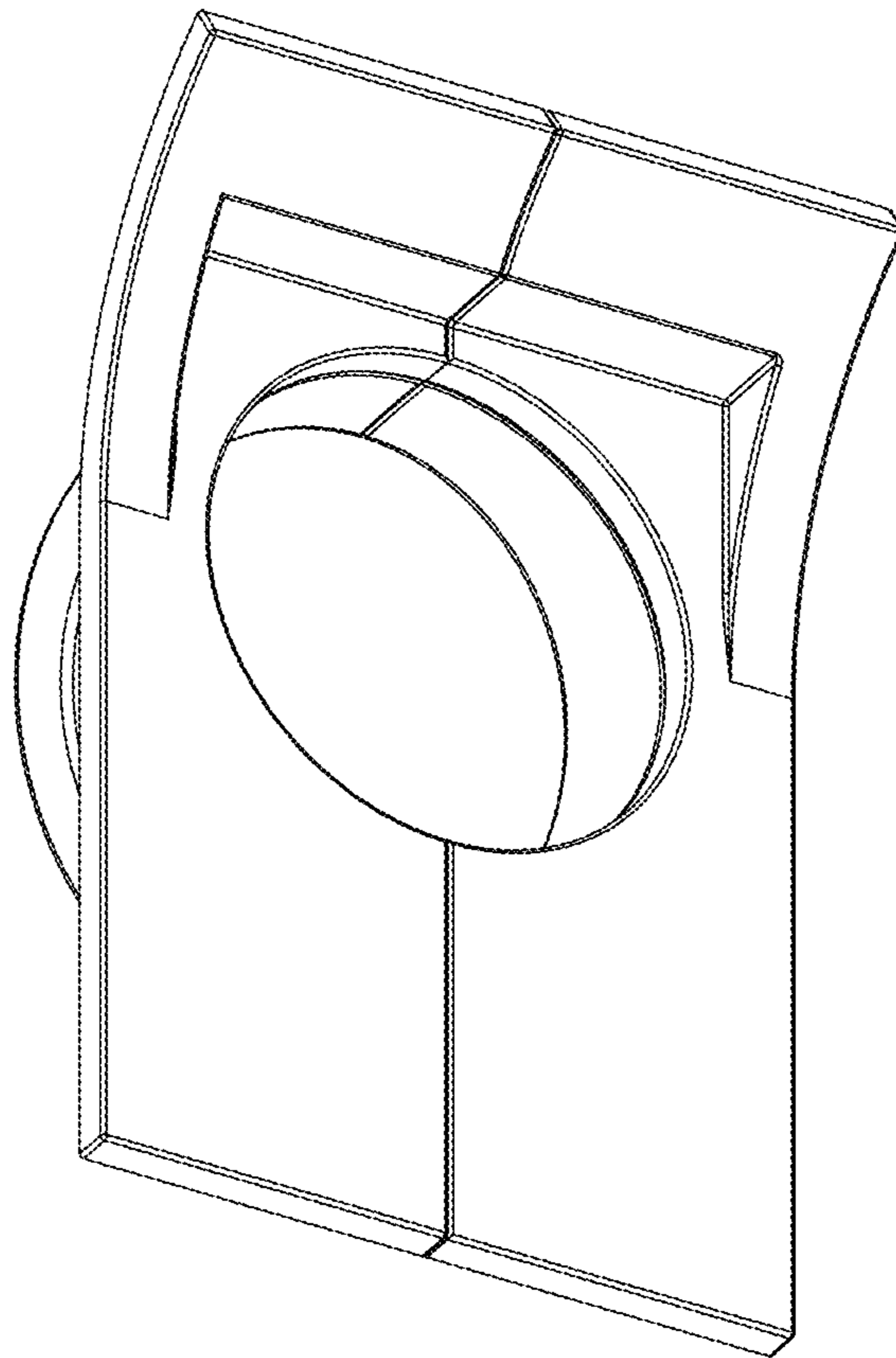


FIG. 8