



US00D794215S

(12) **United States Design Patent** (10) **Patent No.:** **US D794,215 S**
Reutlinger et al. (45) **Date of Patent:** **** Aug. 8, 2017**

(54) **SLIDE ON DOOR BOTTOM**
(71) Applicant: **M-D Building Products, Inc.,**
Oklahoma City, OK (US)
(72) Inventors: **Robert Reed Reutlinger,** Edmond, OK
(US); **Kipp Collins,** Oklahoma City,
OK (US); **Howard McClure,**
Statesboro, GA (US)
(73) Assignee: **M-D Building Products, Inc.,**
Oklahoma City, OK (US)

D623,767 S * 9/2010 Antonic D25/119
D665,922 S * 8/2012 Yoder D25/61
D665,923 S * 8/2012 Yoder D25/61
D665,924 S * 8/2012 Yoder D25/61
D665,925 S * 8/2012 Yoder D25/61
8,726,575 B1 5/2014 Vulpitta
2007/0261312 A1* 11/2007 Kuppler A62C 3/14
49/470

(**) Term: **15 Years**

(21) Appl. No.: **29/547,205**

(22) Filed: **Dec. 1, 2015**

(51) **LOC (10) Cl.** **25-02**

(52) **U.S. Cl.**
USPC **D25/48.3**

(58) **Field of Classification Search**
USPC D25/48.3, 61, 164, 199; 49/484.1;
52/96, 283, 634, 639, 643, 690
CPC E06B 7/2305; E06B 7/2316
See application file for complete search history.

(56) **References Cited**

U.S. PATENT DOCUMENTS

5,056,263 A 10/1991 Bies
D554,774 S * 11/2007 Antonic D25/119

OTHER PUBLICATIONS

<http://www.homedepot.com/p/M-D-Building-Products-2-375-in-x-36-in-Clear-Cinch-Slide-On-Door-Seal-43338/207095735> earliest review Oct. 12, 2016.*

* cited by examiner

Primary Examiner — Susan Bennett Hattan
Assistant Examiner — Leanne Was-Englehart
(74) *Attorney, Agent, or Firm* — Sean O'Connell, PLLC

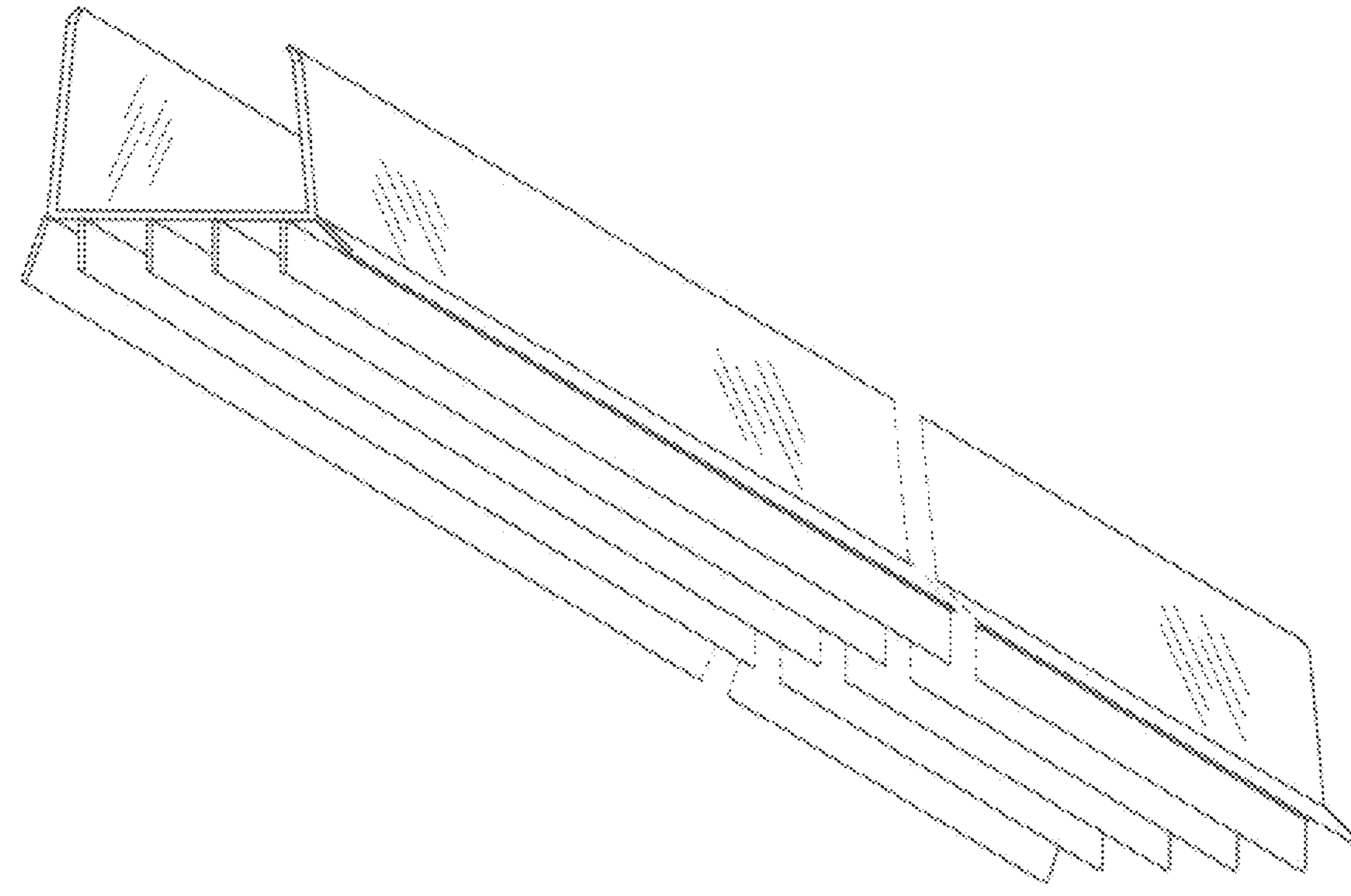
(57) **CLAIM**

The ornamental design for a slide on door bottom, as shown and described.

DESCRIPTION

FIG. 1 is an isometric view of the slide on door bottom.
FIG. 2 is an end view thereof.
FIG. 3 is a right side elevation view thereof.
FIG. 4 is a left side elevation view thereof.
FIG. 5 is a plan view of the door bottom; and,
FIG. 6 is a bottom view thereof.
The broken lines depict break line boundaries that form no part of the claimed design.

1 Claim, 2 Drawing Sheets



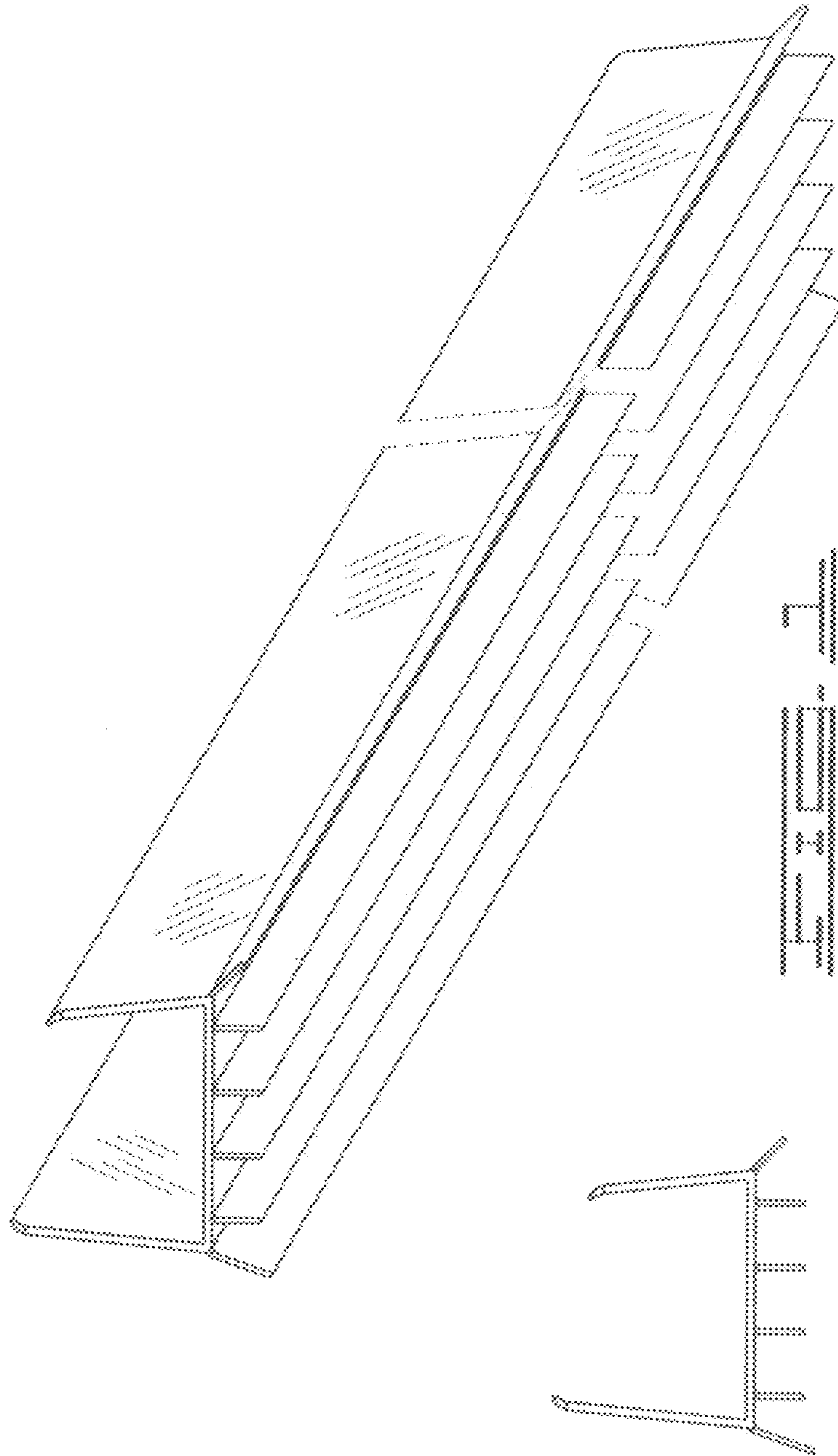


FIG. 1

FIG. 2

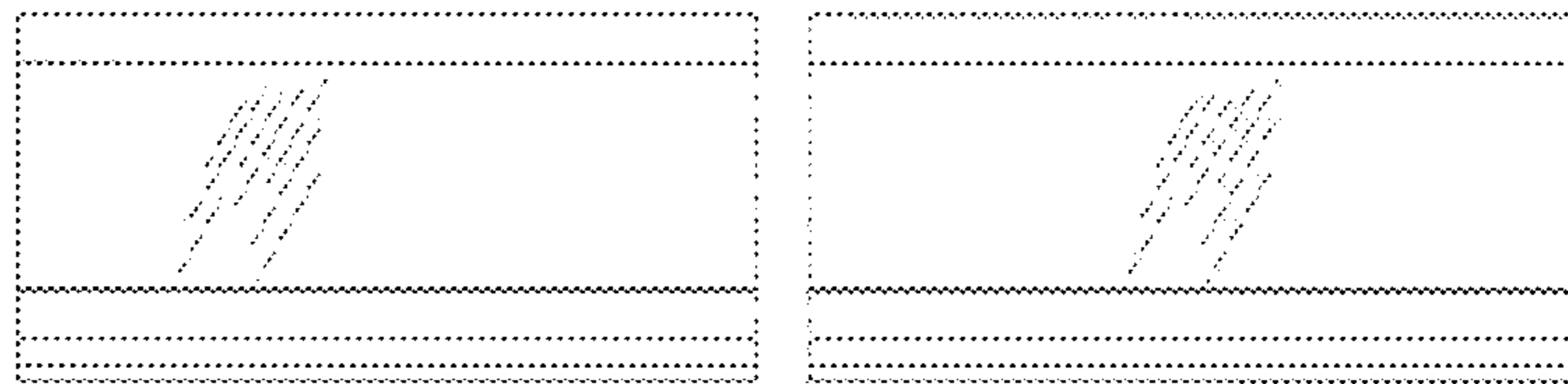


FIG. 3

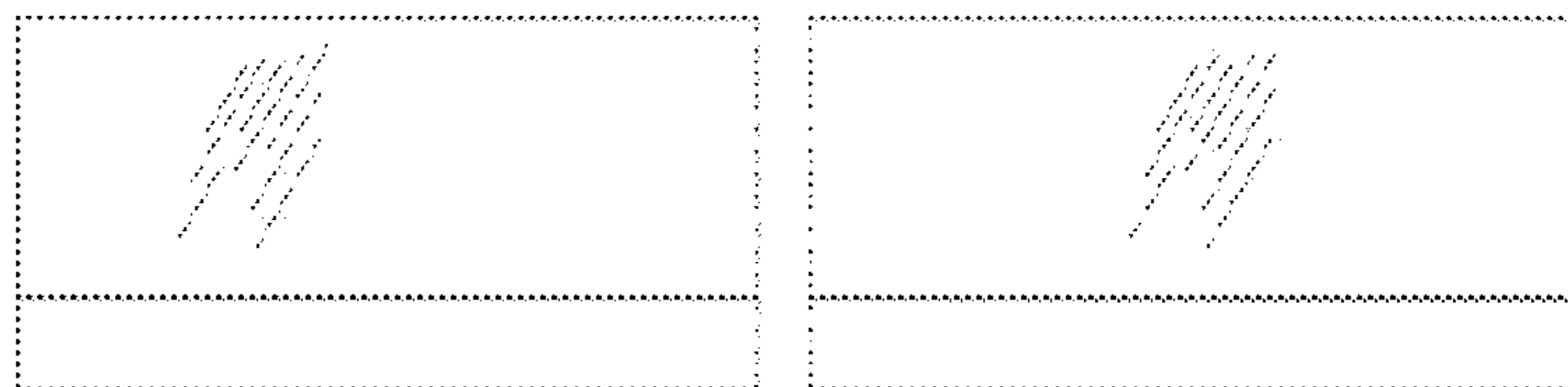


FIG. 4

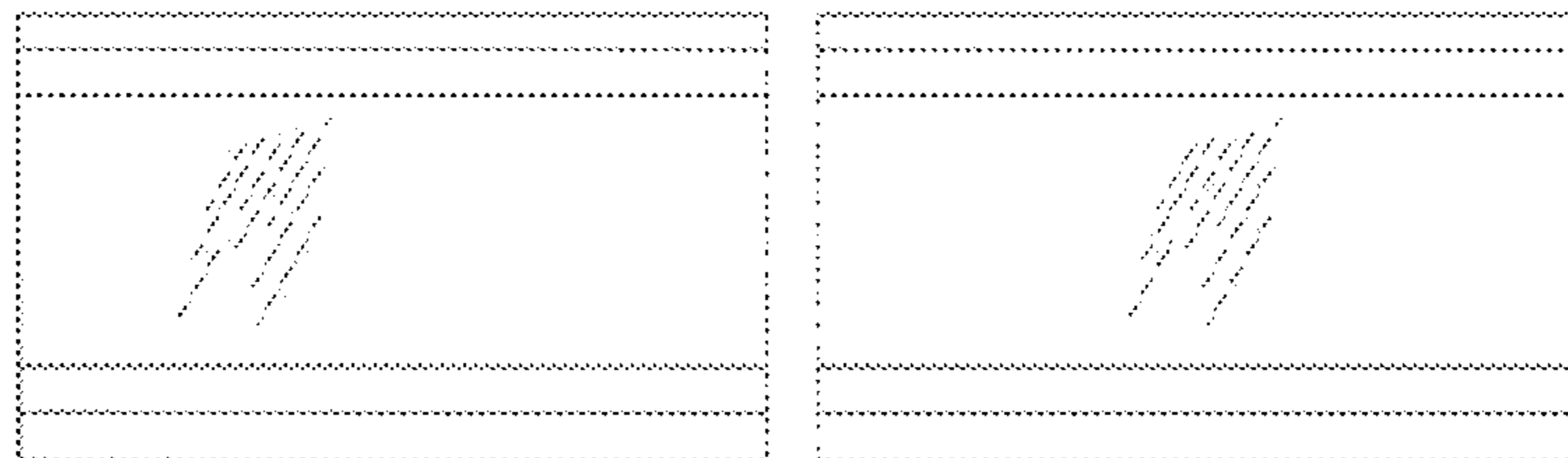


FIG. 5

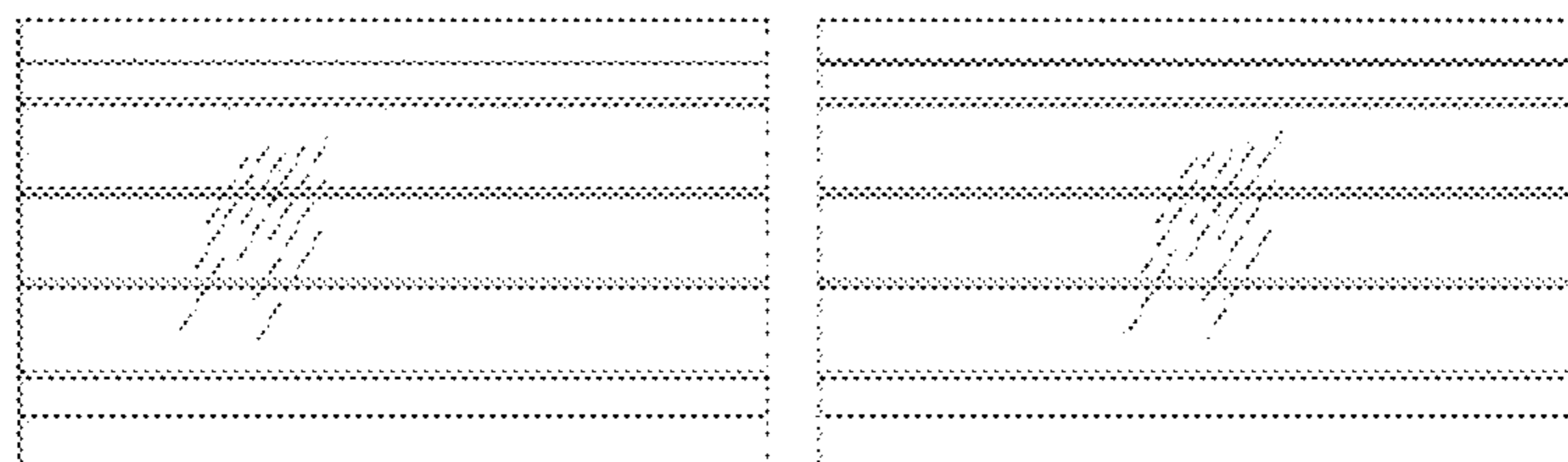


FIG. 6