



US00D794209S

(12) **United States Design Patent**
Hsieh

(10) **Patent No.:** **US D794,209 S**

(45) **Date of Patent:** **** Aug. 8, 2017**

(54) **LOW-FREQUENCY TREATMENT DEVICE**
(71) Applicant: **Nitto Technology Inc.**, Taichung (TW)
(72) Inventor: **Chu Yu Hsieh**, Taichung (TW)
(73) Assignee: **Nitto Technology Inc.**, Taichung (TW)

(**) Term: **15 Years**

(21) Appl. No.: **29/558,441**

(22) Filed: **Mar. 17, 2016**

(51) **LOC (10) Cl.** **24-01**

(52) **U.S. Cl.**
USPC **D24/200; D24/209**

(58) **Field of Classification Search**
USPC D24/107, 158, 160, 186, 200, 206, 209,
D24/210; D28/44.1
CPC .. A61N 1/36021; A61N 1/403; A61N 1/0617;
A61F 7/007
See application file for complete search history.

(56) **References Cited**

U.S. PATENT DOCUMENTS

D400,249 S * 10/1998 Holubar D24/107
D411,004 S * 6/1999 Muller D24/107
6,302,901 B1 * 10/2001 Lu A61F 7/007
607/100

D475,463 S * 6/2003 Leyde D24/200
D505,726 S * 5/2005 Ryan D24/200
D556,334 S * 11/2007 Chen D24/209
D593,684 S * 6/2009 Kapadya D24/200
D597,214 S * 7/2009 Savage D24/209
D728,776 S * 5/2015 Rogers D24/107
D757,955 S * 5/2016 Johnson D24/209

* cited by examiner

Primary Examiner — Anhdao Doan

(74) *Attorney, Agent, or Firm* — C. G. Mersereau;
Nikolai & Mersereau, P.A.

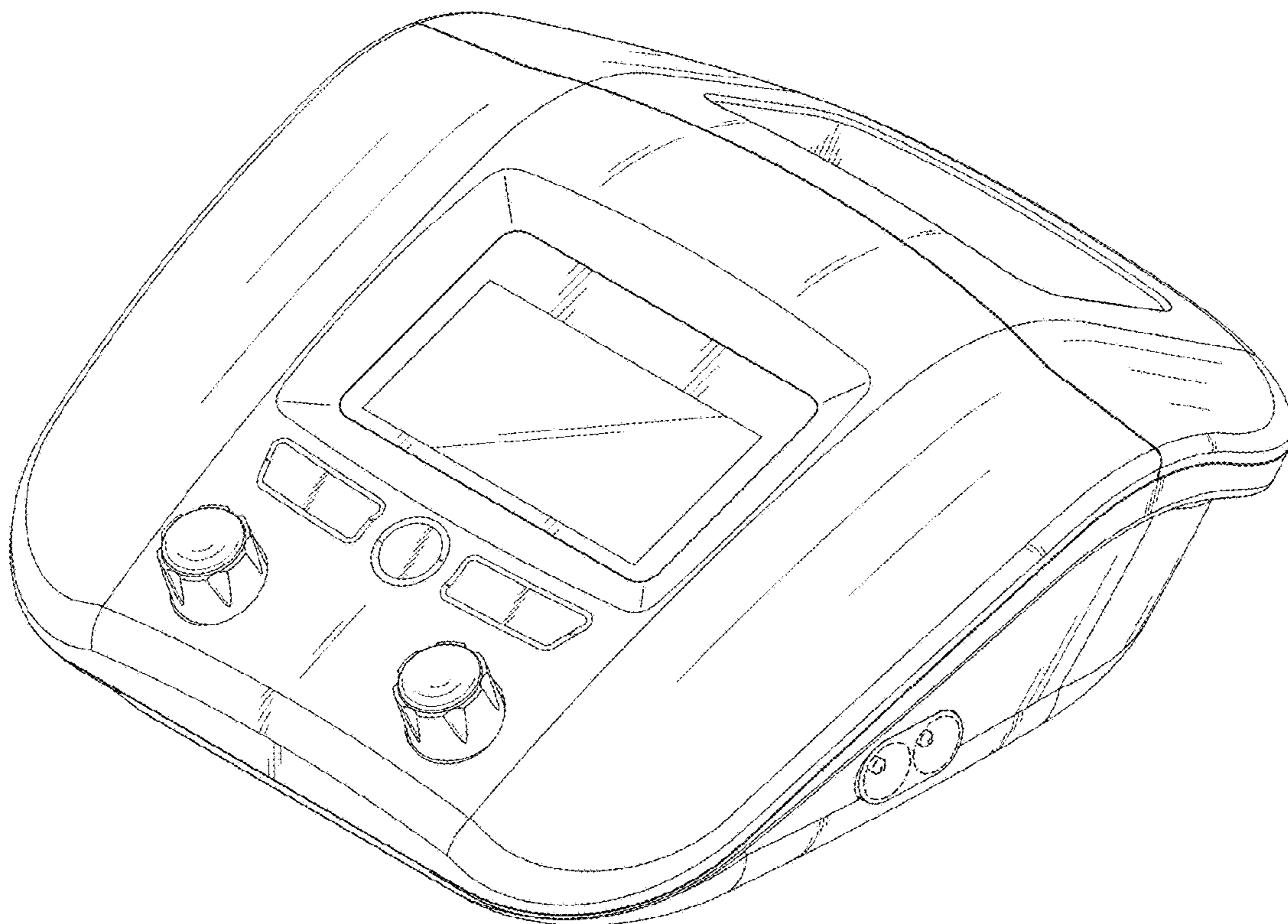
(57) **CLAIM**

The ornamental design for a low-frequency treatment device, as shown and described.

DESCRIPTION

FIG. 1 is a perspective view of a low-frequency treatment device showing my new design;
FIG. 2 is a front elevational view thereof;
FIG. 3 is a rear elevational view thereof;
FIG. 4 is a left side view thereof;
FIG. 5 is a right side view thereof;
FIG. 6 is a top plan view thereof;
FIG. 7 is a bottom plan view thereof;
FIG. 8 is a bottom perspective view thereof; and,
FIG. 9 is a perspective view of using status thereof.
The broken lines illustrate portions of the low-frequency treatment device that form no part of the claimed design.

1 Claim, 9 Drawing Sheets



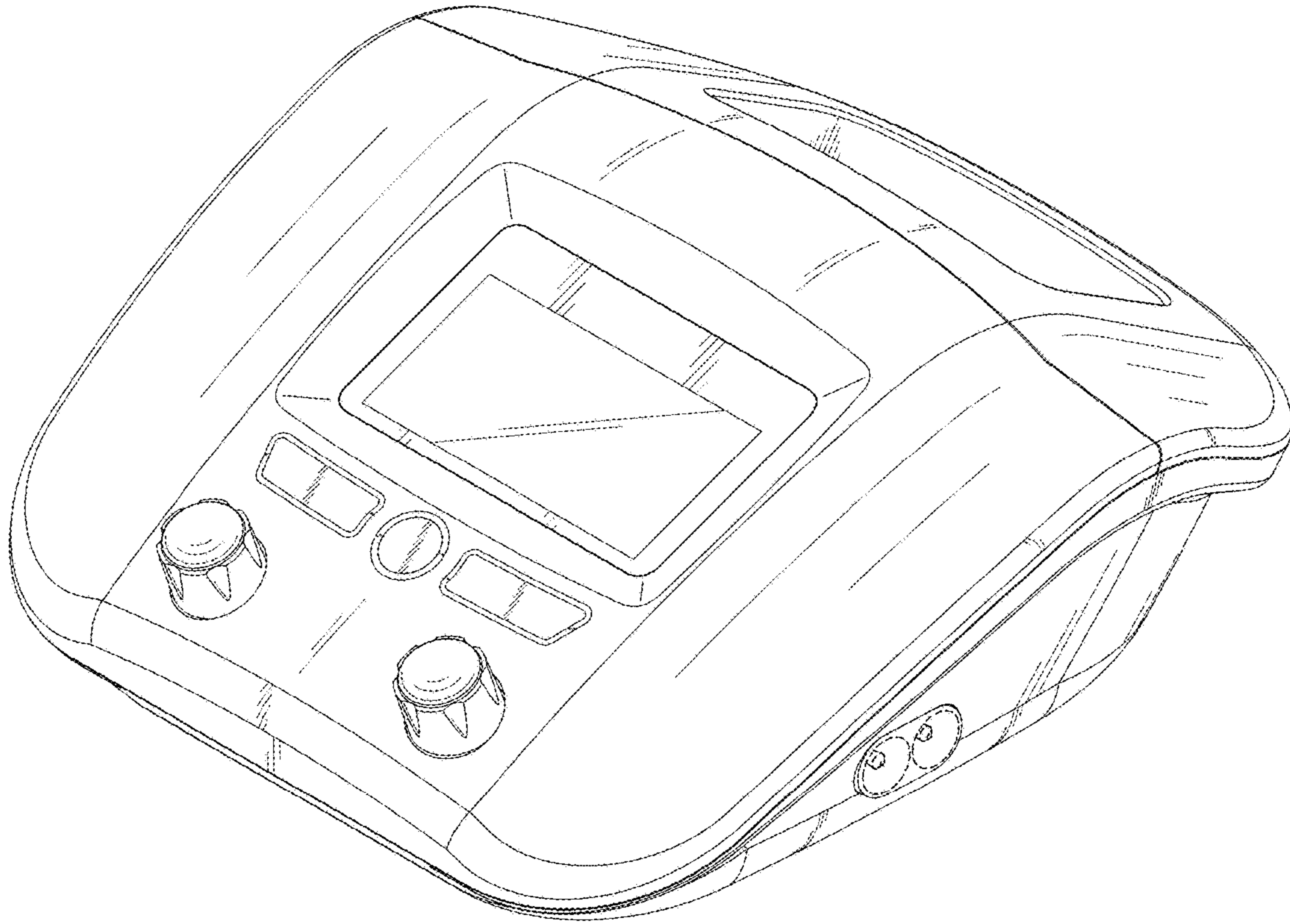


FIG. 1

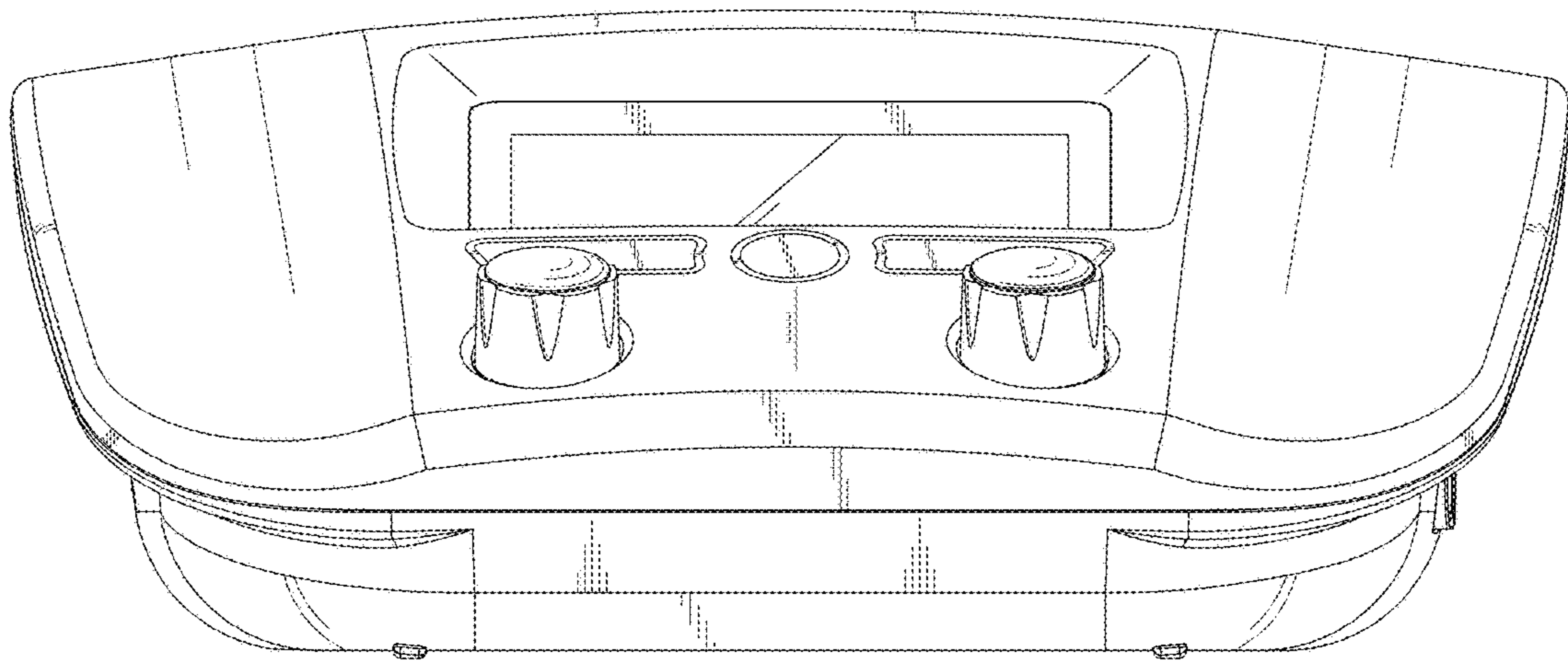


FIG. 2

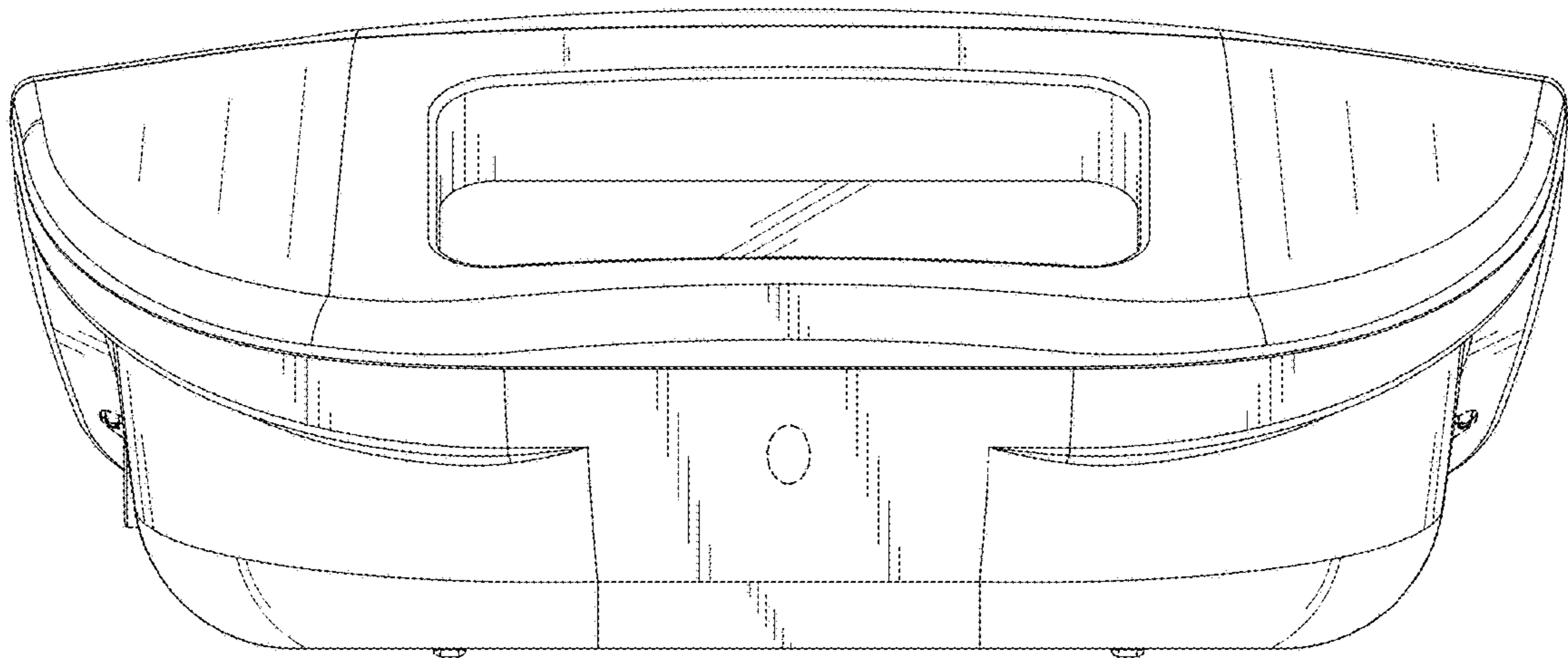


FIG. 3

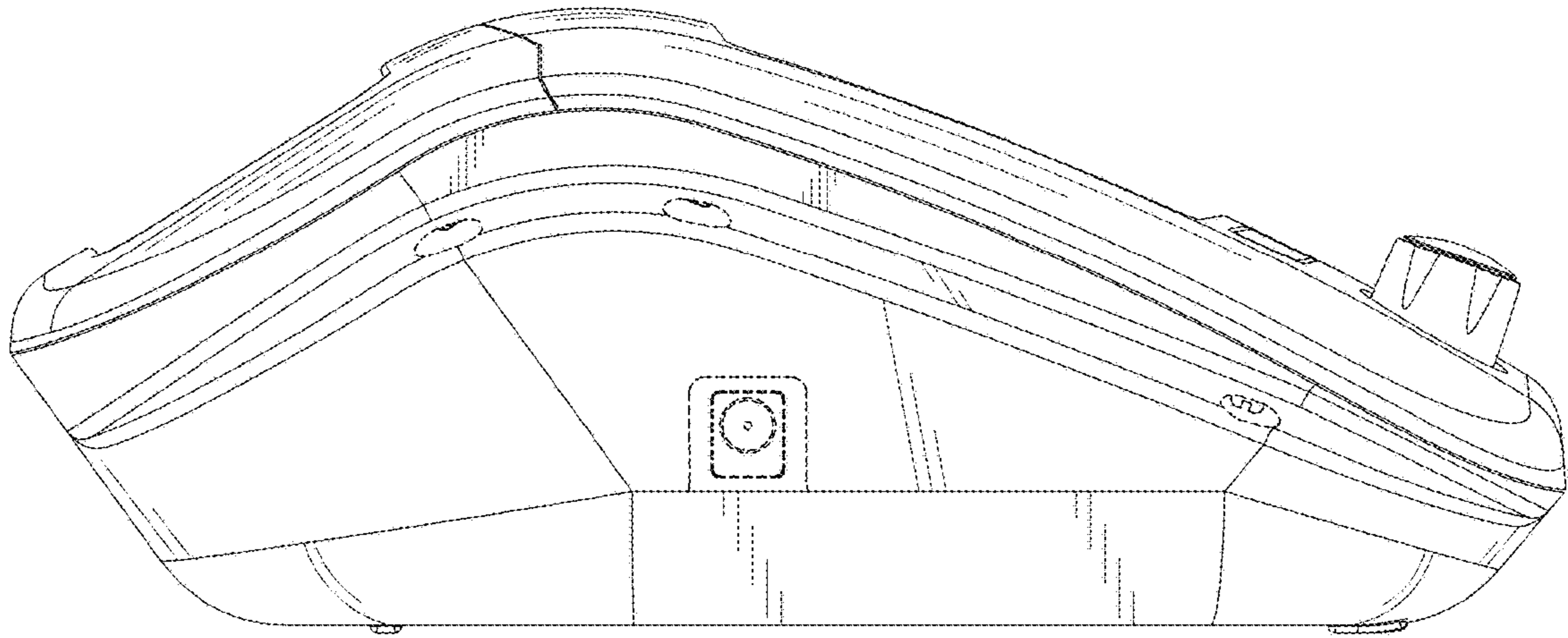


FIG. 4

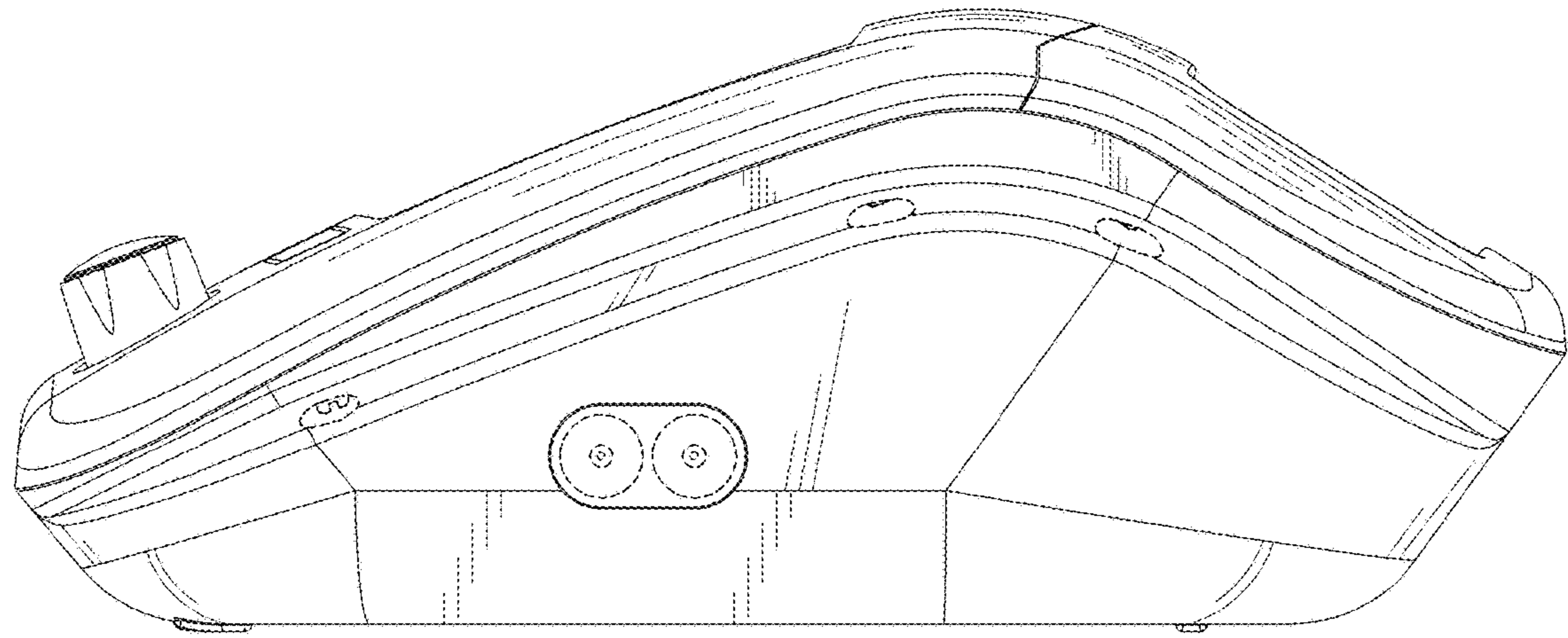


FIG. 5

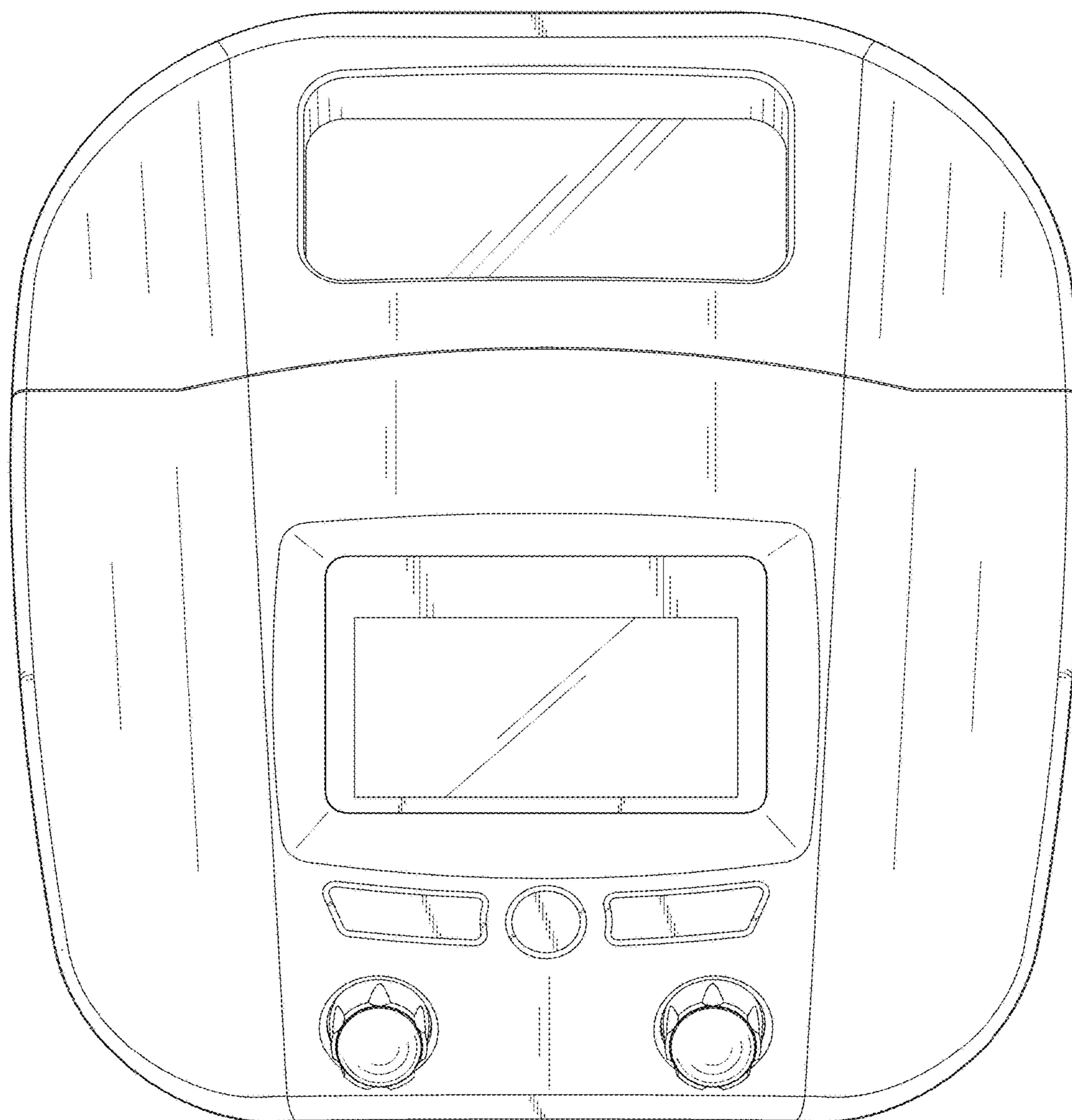


FIG. 6

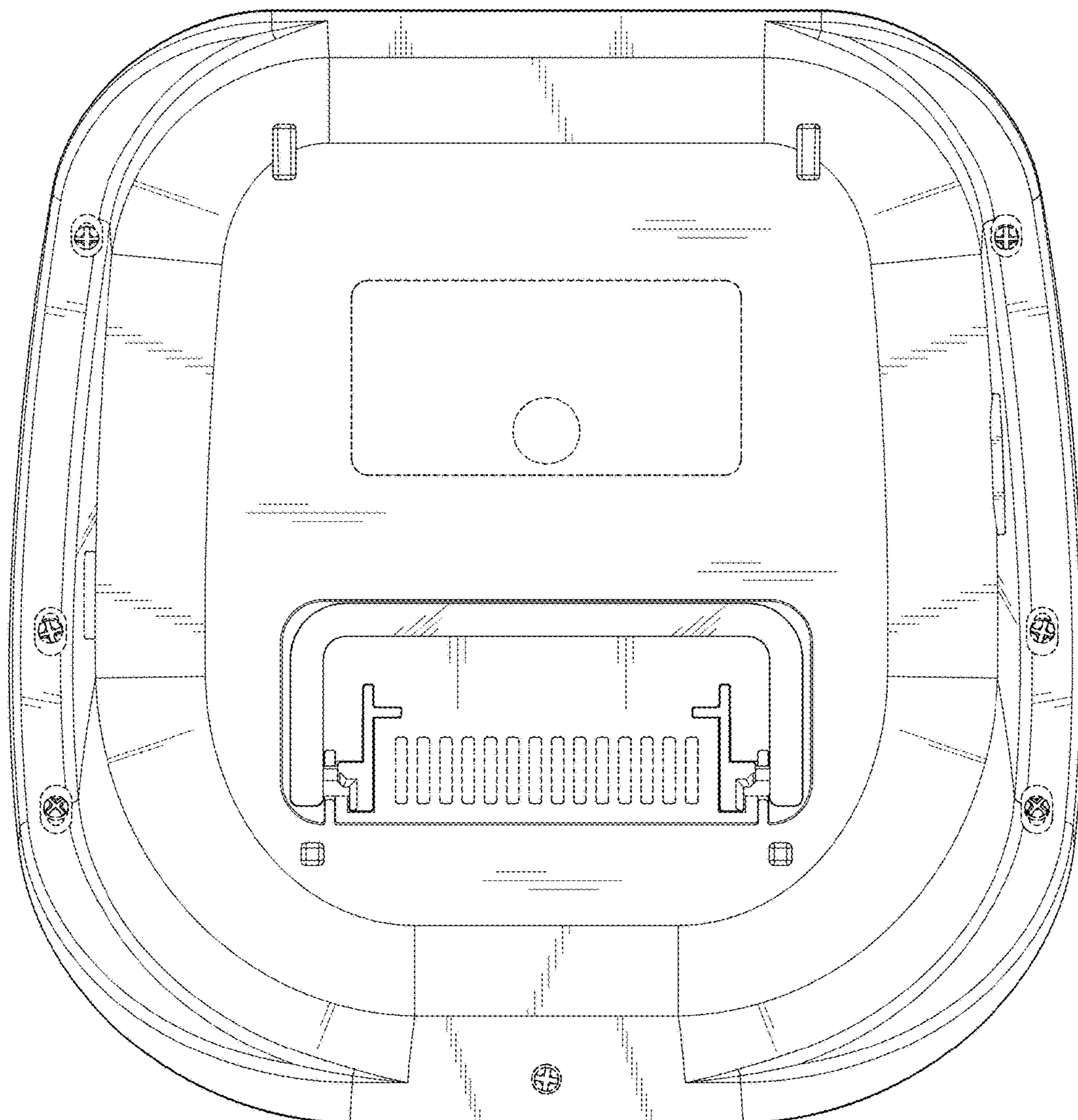


FIG. 7

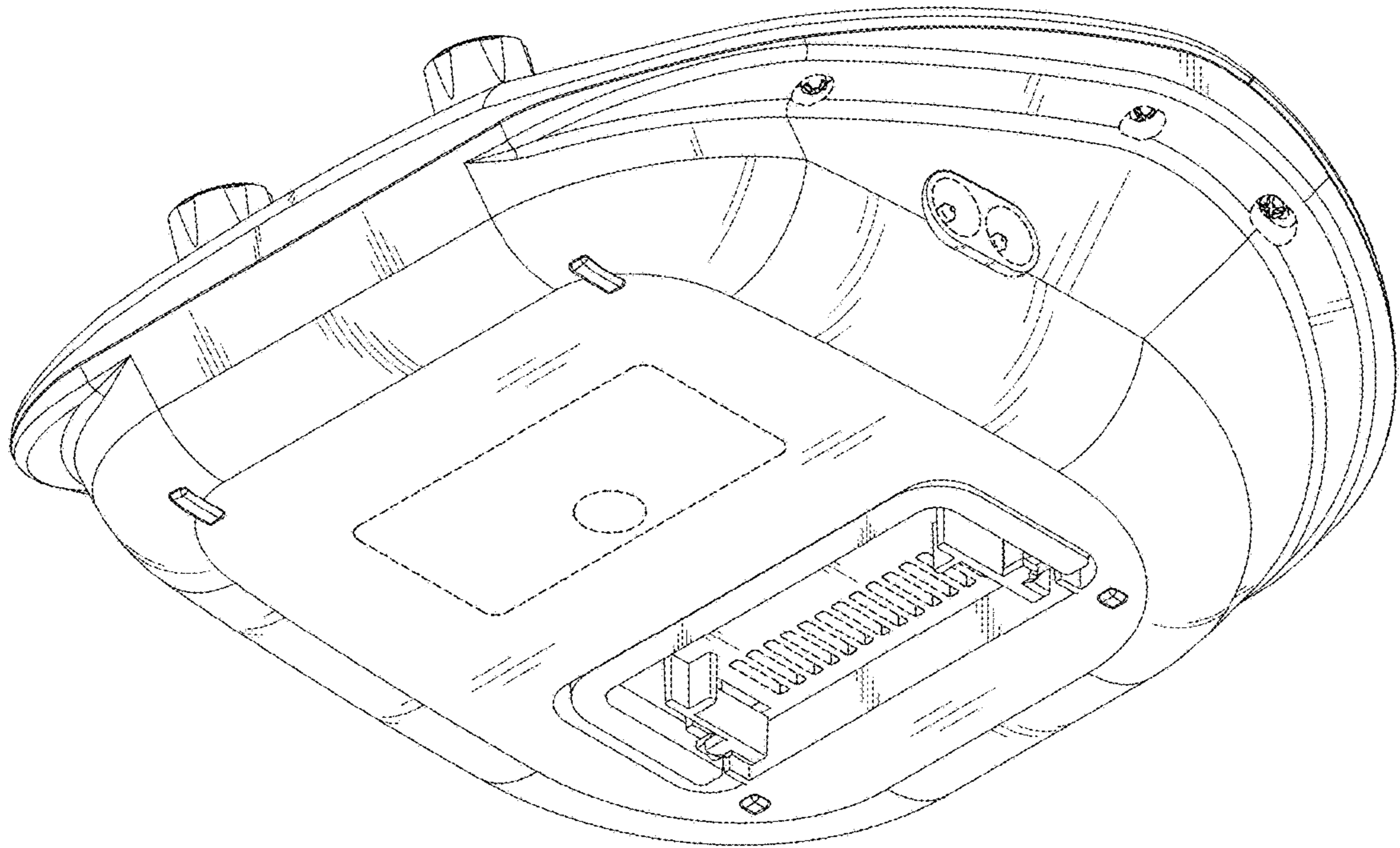


FIG. 8

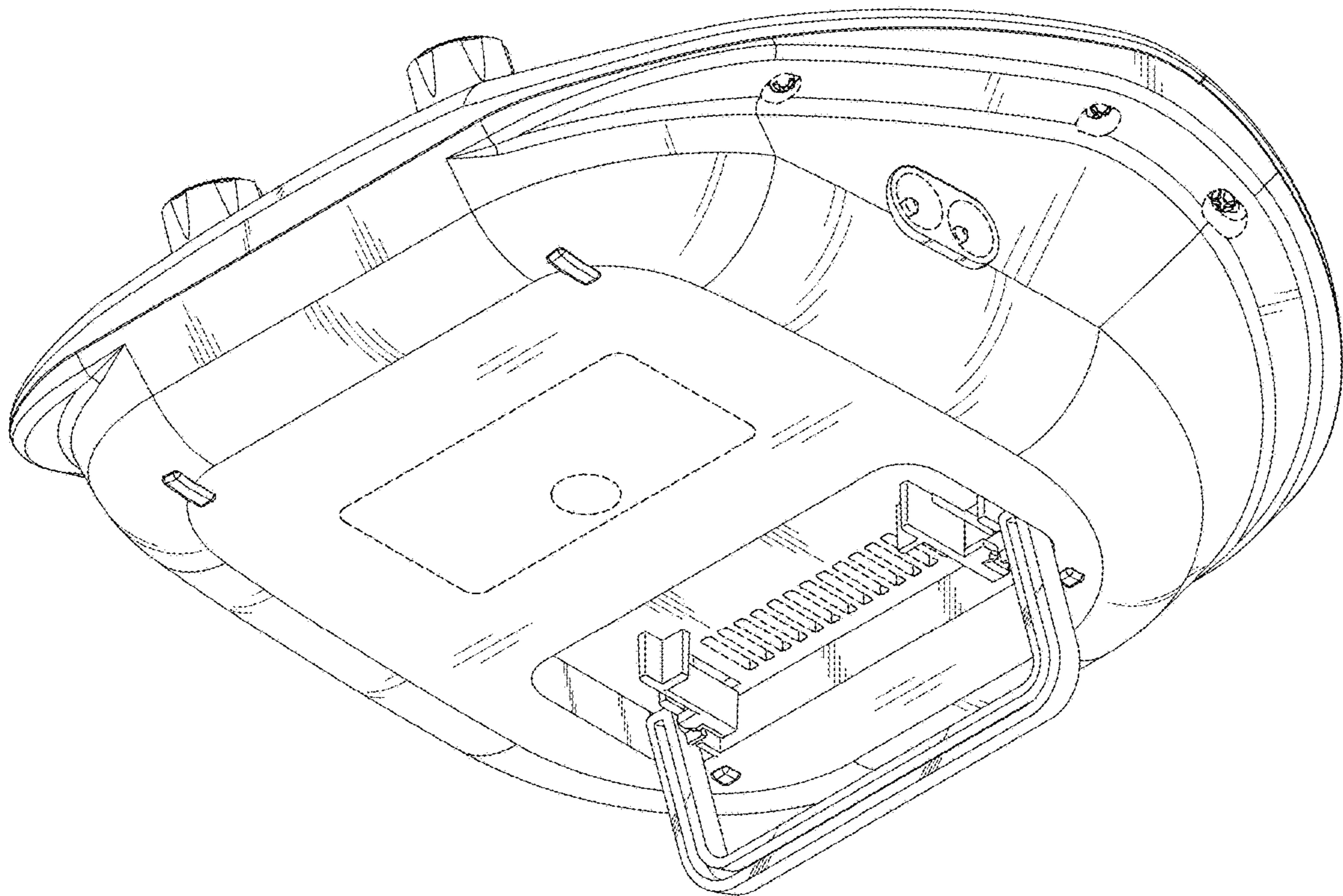


FIG. 9