



US00D794207S

(12) **United States Design Patent**  
**Flanagan et al.**

(10) **Patent No.:** **US D794,207 S**

(45) **Date of Patent:** **\*\* Aug. 8, 2017**

(54) **CASING OF A HAND HELD ULTRASONIC  
FLAW DETECTOR INSTRUMENT**

(71) Applicants: **Coleman Flanagan**, Marlborough, MA  
(US); **Ronald Scott Collicutt**,  
Northbridge, MA (US); **David Joyce**,  
Chelmsford, MA (US); **Erich Henjes**,  
East Walpole, MA (US)

(72) Inventors: **Coleman Flanagan**, Marlborough, MA  
(US); **Ronald Scott Collicutt**,  
Northbridge, MA (US); **David Joyce**,  
Chelmsford, MA (US); **Erich Henjes**,  
East Walpole, MA (US)

(73) Assignee: **OLYMPUS SCIENTIFIC  
SOLUTIONS AMERICAS INC.**,  
Waltham, MA (US)

(\*\*) Term: **15 Years**

(21) Appl. No.: **29/559,753**

(22) Filed: **Mar. 31, 2016**

(51) **LOC (10) Cl.** ..... **24-02**

(52) **U.S. Cl.**  
USPC ..... **D24/186**

(58) **Field of Classification Search**  
USPC ..... D24/158-161, 185, 186, 107; D10/78  
CPC ... A61B 8/4444; A61B 8/4455; A61B 8/4483;  
A61B 8/4461; G01N 23/04; G01N  
23/087; G01N 2223/301  
See application file for complete search history.

(56) **References Cited**

**U.S. PATENT DOCUMENTS**

5,068,883 A \* 11/1991 DeHaan ..... G01V 5/0025  
250/498.1  
D461,895 S \* 8/2002 Barnes ..... D24/158

D549,830 S \* 8/2007 Behar ..... D24/186  
D603,968 S \* 11/2009 Brefka ..... D24/186  
D727,505 S \* 4/2015 Choudhary ..... D24/158  
D767,764 S \* 9/2016 Chamberlain ..... D24/158  
2012/0027175 A1\* 2/2012 Radley ..... G01V 5/0016  
378/82  
2013/0331694 A1\* 12/2013 Barnes ..... A61B 5/0402  
600/437  
2015/0057952 A1\* 2/2015 Coombs ..... G01N 35/00584  
702/38  
2015/0212018 A1\* 7/2015 Shields ..... G01N 23/223  
378/44

\* cited by examiner

*Primary Examiner* — Anhdao Doan

(74) *Attorney, Agent, or Firm* — C. Tricia Liu

(57) **CLAIM**

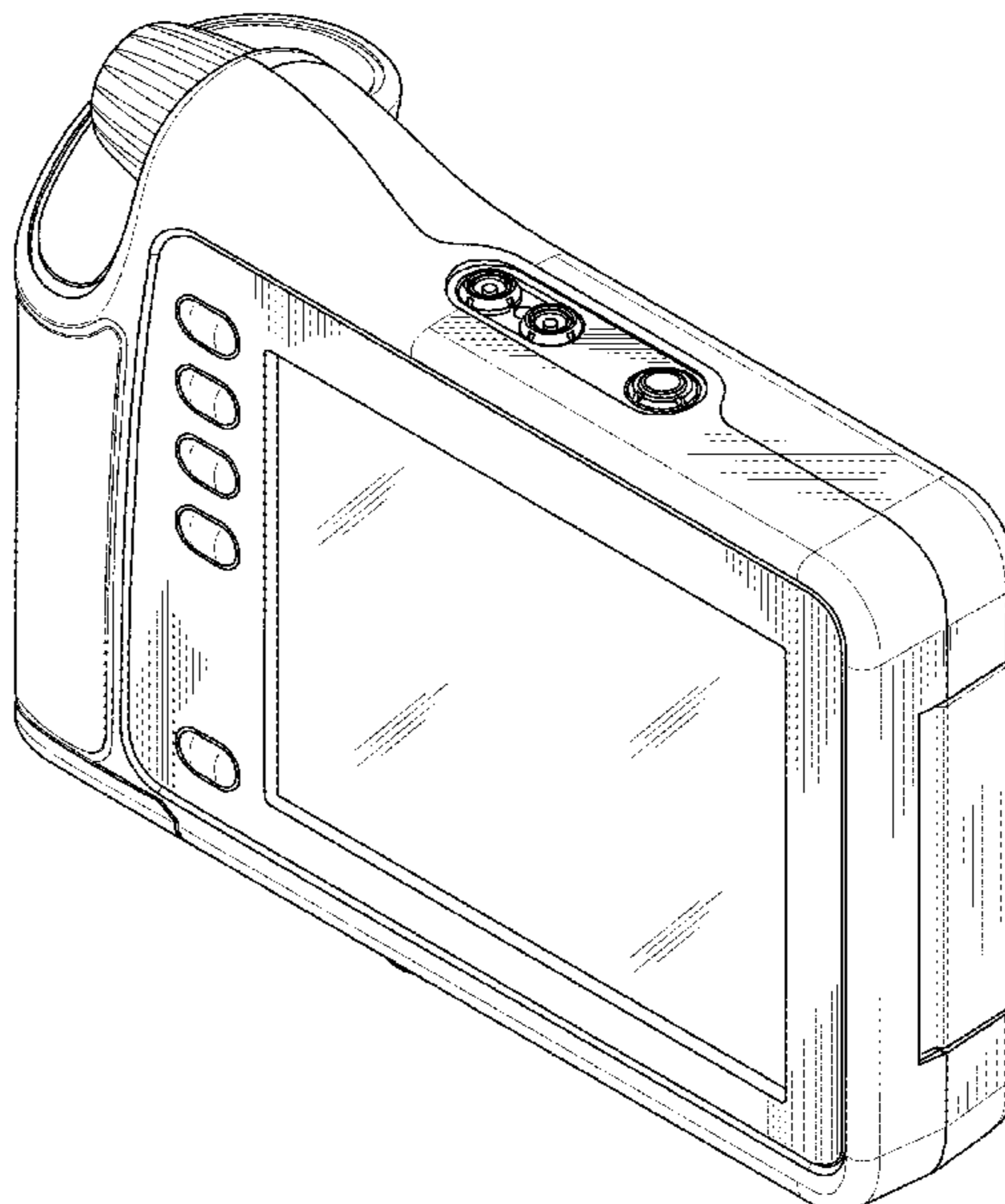
The ornamental design for a casing of a hand held ultrasonic  
flaw detector instrument, as shown and described.

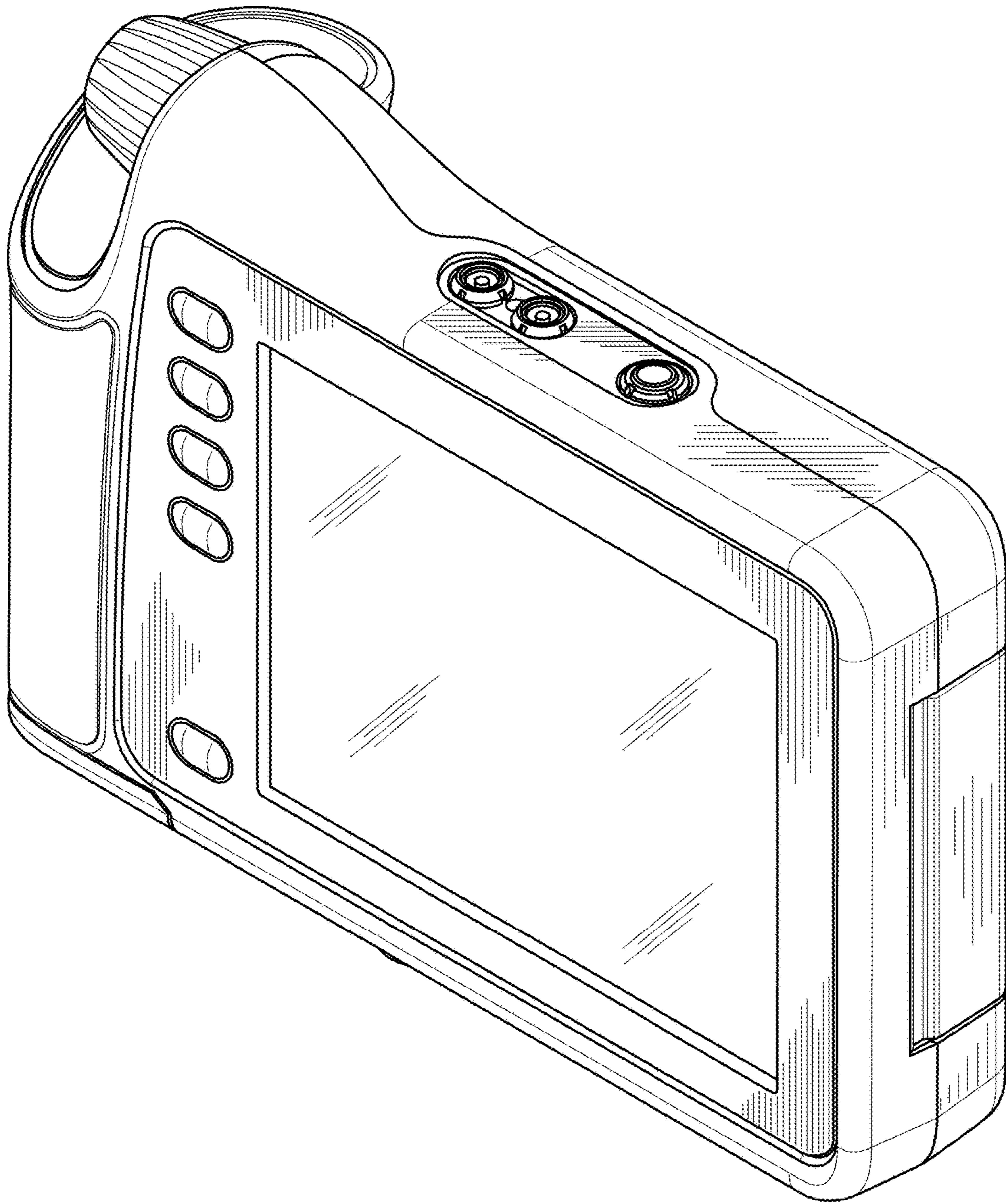
**DESCRIPTION**

FIG. 1 is an isometric view of a casing of a hand held  
ultrasonic flaw detector instrument;  
FIG. 2 is front view thereof;  
FIG. 3 is back view thereof;  
FIG. 4 is left side view thereof;  
FIG. 5 is right side view thereof;  
FIG. 6 is top view thereof; and,  
FIG. 7 is bottom view thereof.

The broken lines illustrate portions of the casing of a hand  
held ultrasonic flaw detector instrument that form no part of  
the claimed design.

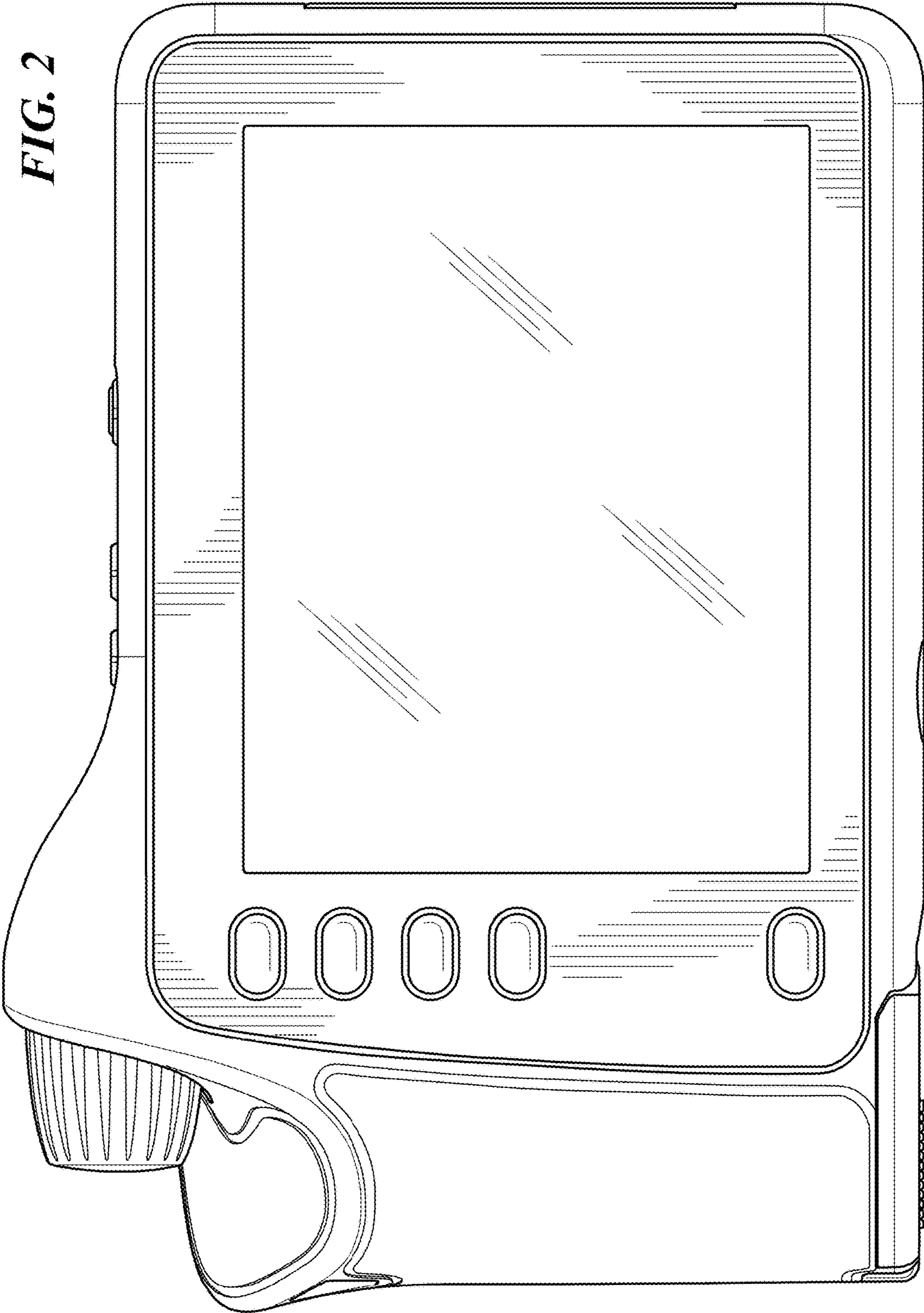
**1 Claim, 6 Drawing Sheets**

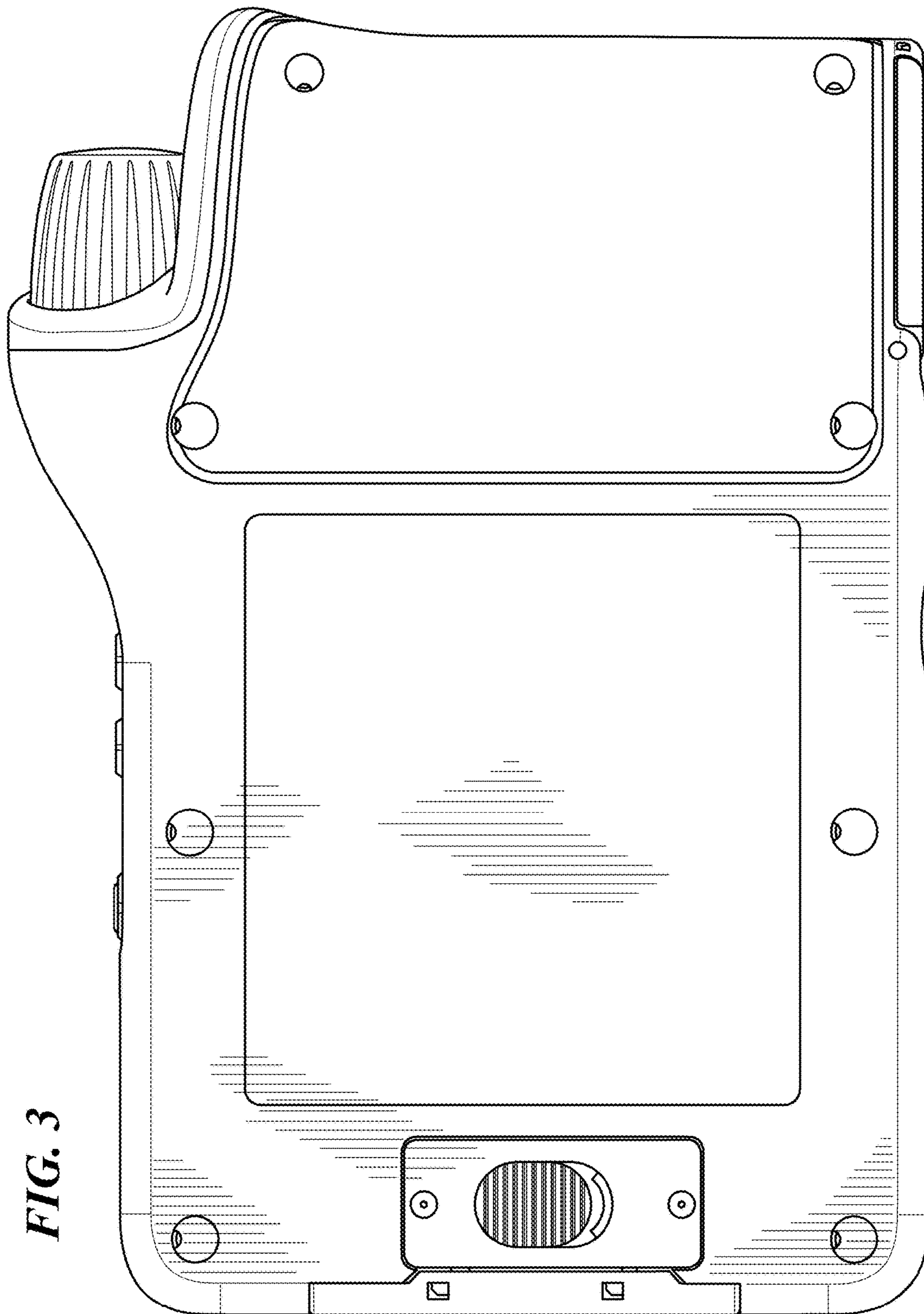




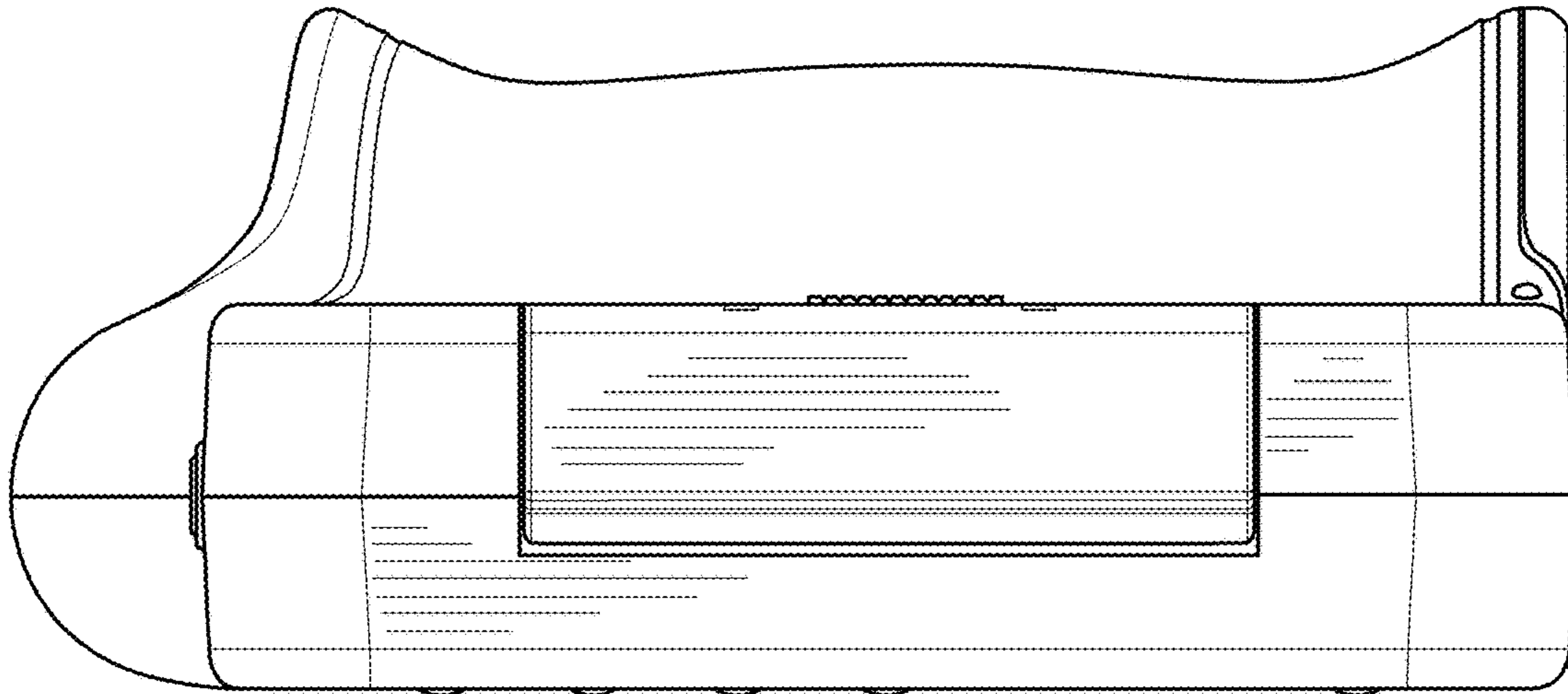
**FIG. 1**

**FIG. 2**

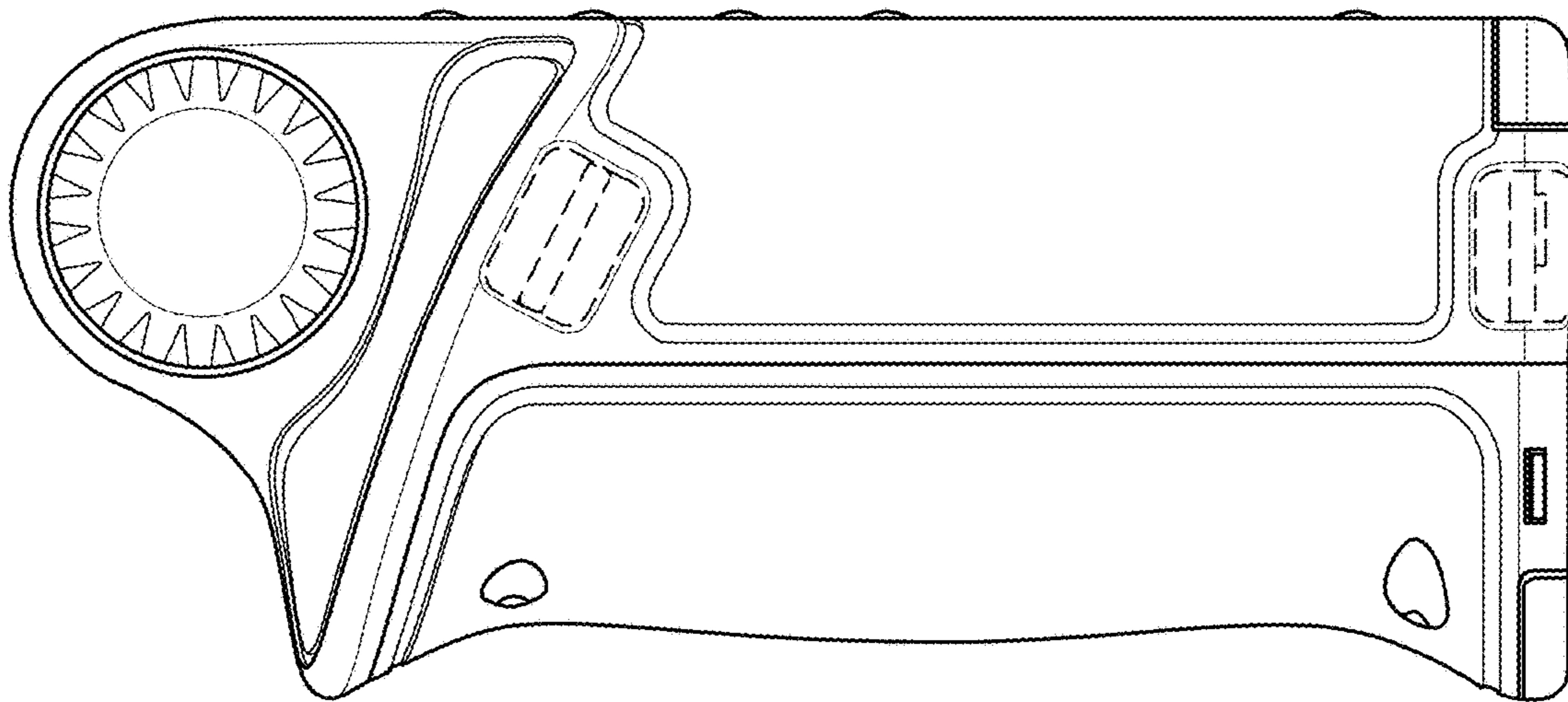




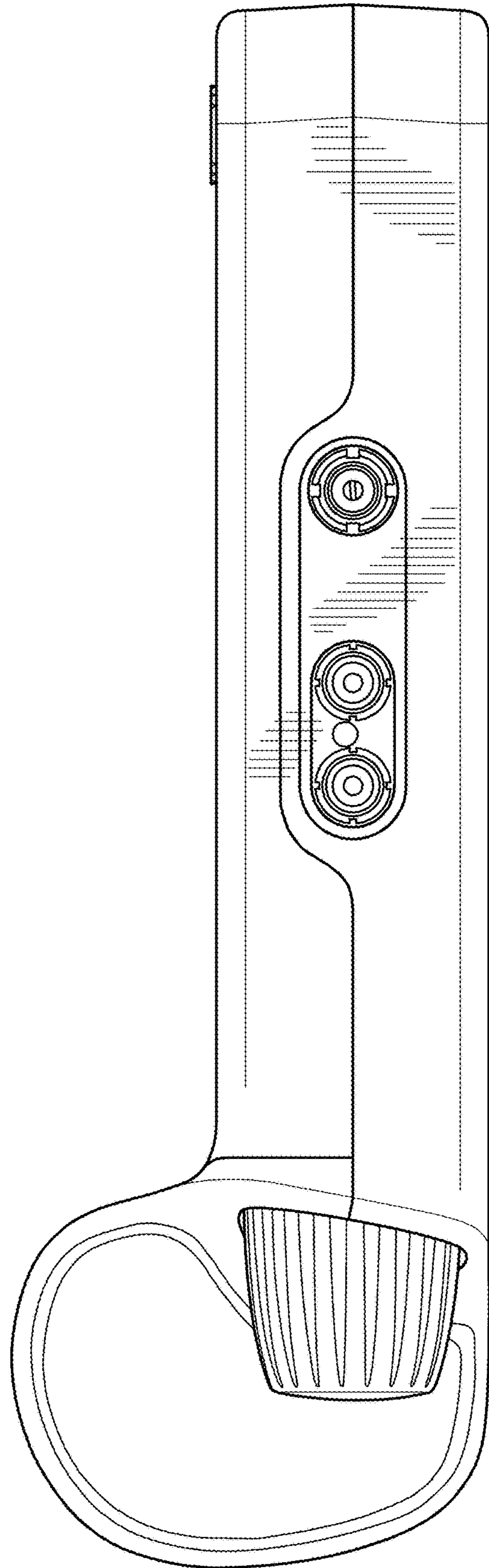
**FIG. 3**



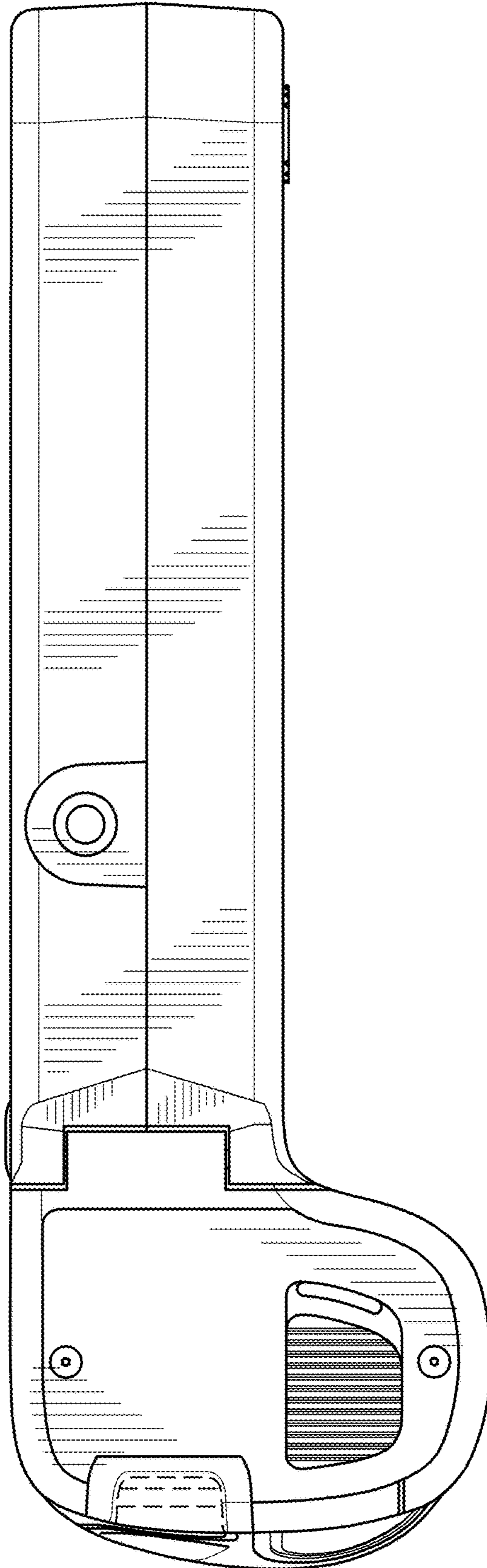
**FIG. 5**



**FIG. 4**



**FIG. 6**



**FIG. 7**