

US00D794205S

(12) **United States Design Patent** (10) **Patent No.:** **US D794,205 S**
Naber et al. (45) **Date of Patent:** **** Aug. 8, 2017**

(54) **COT FASTENER**
(71) Applicant: **Stryker Corporation**, Kalamazoo, MI (US)
(72) Inventors: **Brandon David Naber**, Portage, MI (US); **Kurosh Nahavandi**, Portage, MI (US)
(73) Assignee: **Stryker Corporation**, Kalamazoo, MI (US)

5,092,722 A 3/1992 Reazer, III et al.
5,205,601 A 4/1993 Ferris
5,913,559 A 6/1999 Sexton et al.
7,287,794 B2 10/2007 Bourgraf, Jr. et al.
7,478,855 B2* 1/2009 Lambarth A61G 1/0262
296/20
7,549,690 B2* 6/2009 Bourgraf A61G 1/06
296/65.04
8,056,950 B2* 11/2011 Souke A61G 1/04
5/611

(Continued)

(**) Term: **15 Years**

FOREIGN PATENT DOCUMENTS

(21) Appl. No.: **29/536,593**

GB 2297730 A 8/1996
WO 2014123692 A1 8/2014
WO 2014124471 A1 8/2014

(22) Filed: **Aug. 18, 2015**

OTHER PUBLICATIONS

(51) **LOC (10) Cl.** **24-01**

Stryker Corporation Power-Load TM Power-Loading Cot Fastener System Brochure, dated 2011.

(52) **U.S. Cl.**

USPC **D24/184**; D12/14

(58) **Field of Classification Search**

USPC D24/183-184; D12/14, 133, 162, 223, D12/406; 296/19, 20, 65.04, 65.13, 296/65.14, 24.38; 410/7, 8, 77, 66, 69, 410/80, 104; 5/86.1, 511, 611

CPC ... A61G 1/02; A61G 1/04; A61G 1/06; A61G 1/048; A61G 1/013; A61G 1/0212; A61G 1/0237; A61G 1/0262; A61G 1/0293; A61G 1/0567; A61G 3/001; A61G 3/003; A61G 3/02; A61G 3/0236; A61G 3/0245; A61G 3/0254; A61G 3/0272; A61G 3/029; A61G 3/0816; A61G 3/0833; A61G 3/0875; A61G 3/0883; A61G 3/0891; B60N 2/0742; B60N 2/0745; B60N 2/12

See application file for complete search history.

Primary Examiner — Ian Simmons
Assistant Examiner — Mark Cavanna
(74) *Attorney, Agent, or Firm* — Warner Norcross & Judd LLP

(57) **CLAIM**

The ornamental design for a cot fastener, as shown and described.

DESCRIPTION

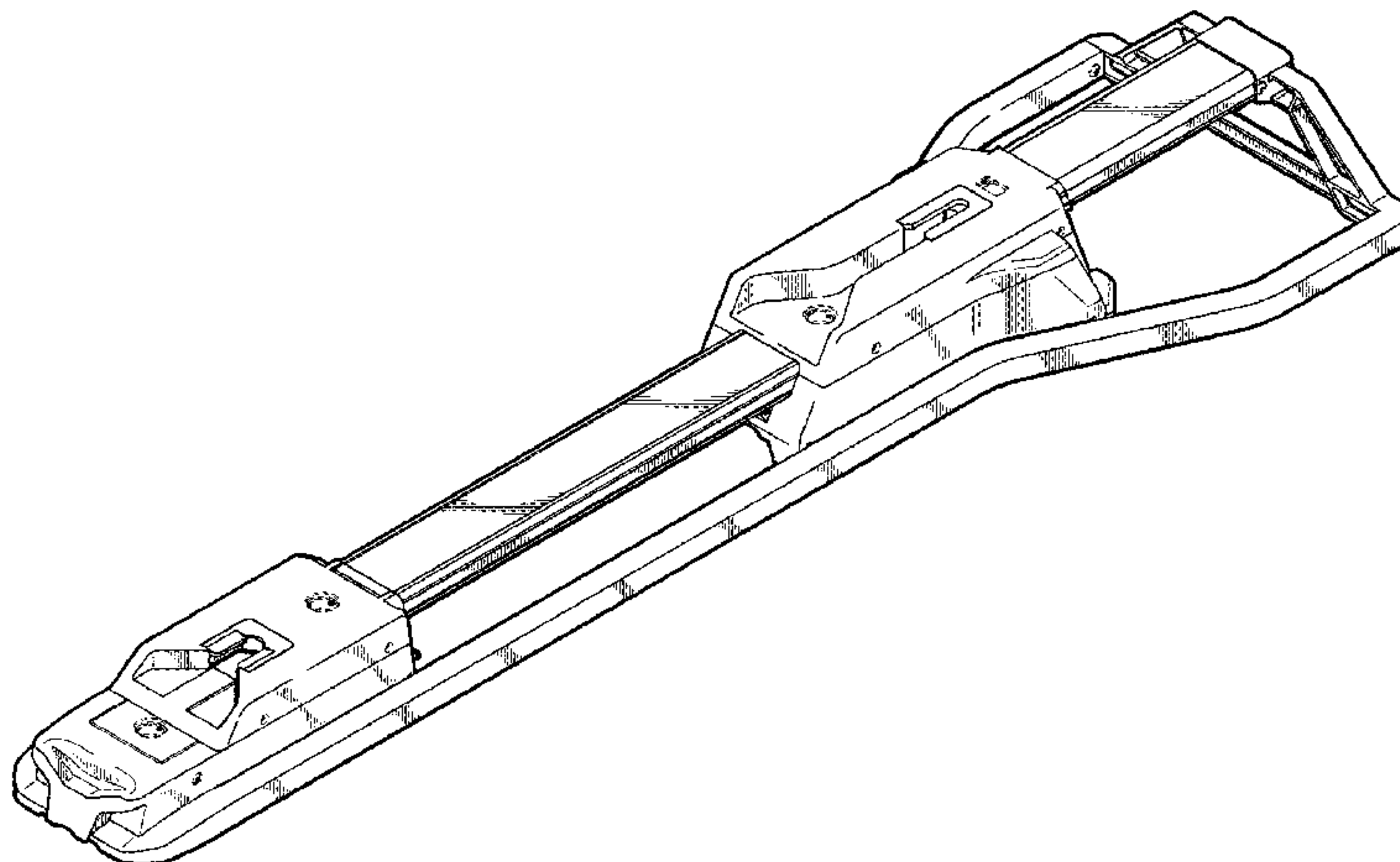
FIG. 1 is a perspective view of a cot fastener; FIG. 2 is a front elevation view thereof; FIG. 3 is a left side elevation view thereof; FIG. 4 is a rear elevation view thereof; FIG. 5 is a right side elevation view thereof; FIG. 6 is a top plan view thereof; and, FIG. 7 is a bottom plan view thereof. The broken lines represent portions of the structure that forms no part of the claim.

(56) **References Cited**

U.S. PATENT DOCUMENTS

2,558,056 A * 6/1951 Mitchell A61G 3/0891
296/19
3,918,554 A * 11/1975 Bourgraf A61G 3/0891
296/19

1 Claim, 4 Drawing Sheets



(56)

References Cited

U.S. PATENT DOCUMENTS

8,382,181 B2 * 2/2013 Bourgraf A61G 3/003
296/65.14
8,439,416 B2 * 5/2013 Lambarth A61G 1/0262
296/20
8,444,195 B2 * 5/2013 Bourgraf A61G 3/0272
5/611
RE44,884 E * 5/2014 Lambarth A61G 1/0567
5/611
9,364,376 B2 * 6/2016 Crawford A61G 3/0254
9,456,939 B2 10/2016 Lambarth et al.
9,545,345 B1 * 1/2017 Akers, Jr. A61G 3/0245
2017/0035628 A1 * 2/2017 Naber A61G 1/013

* cited by examiner

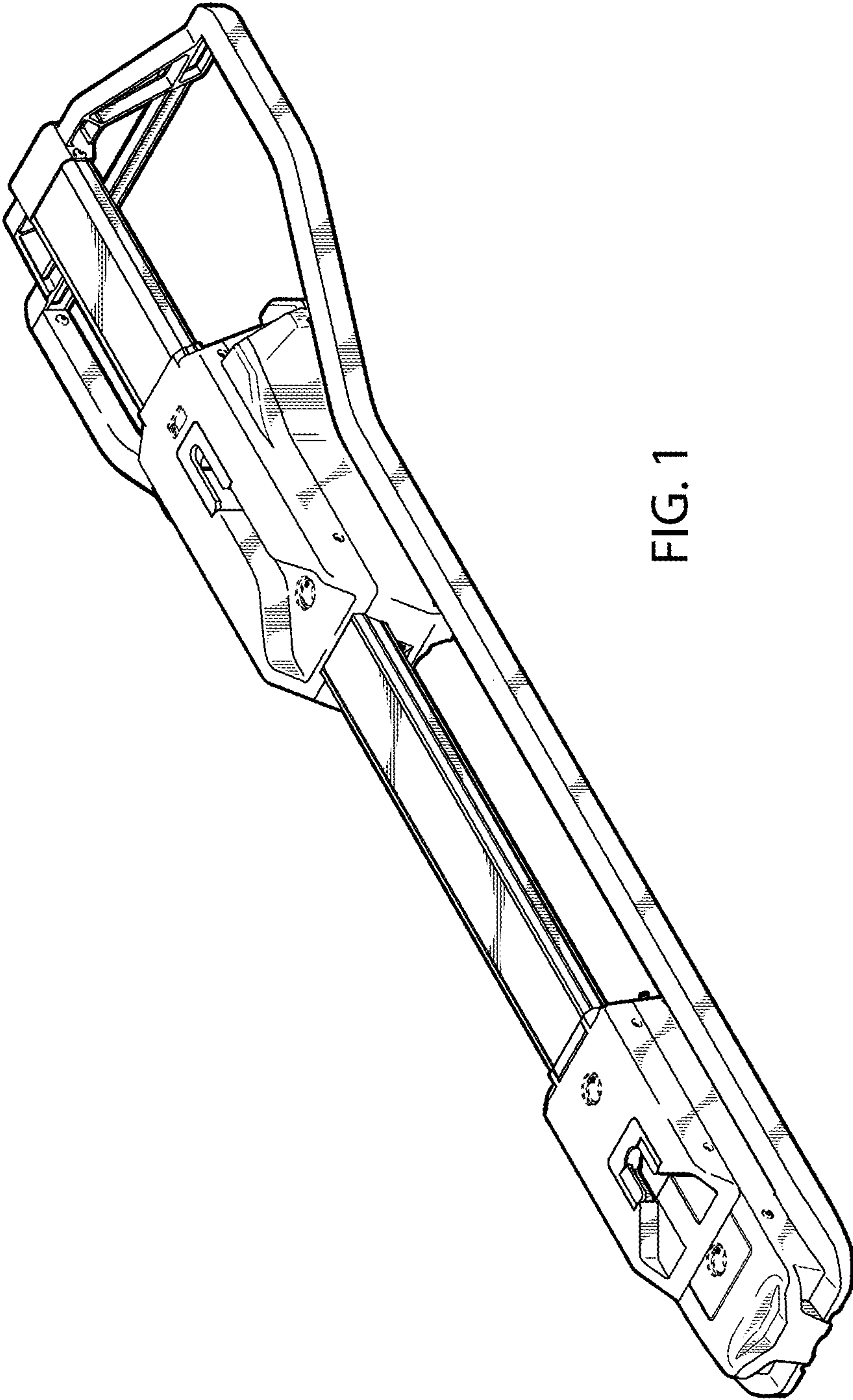


FIG. 1

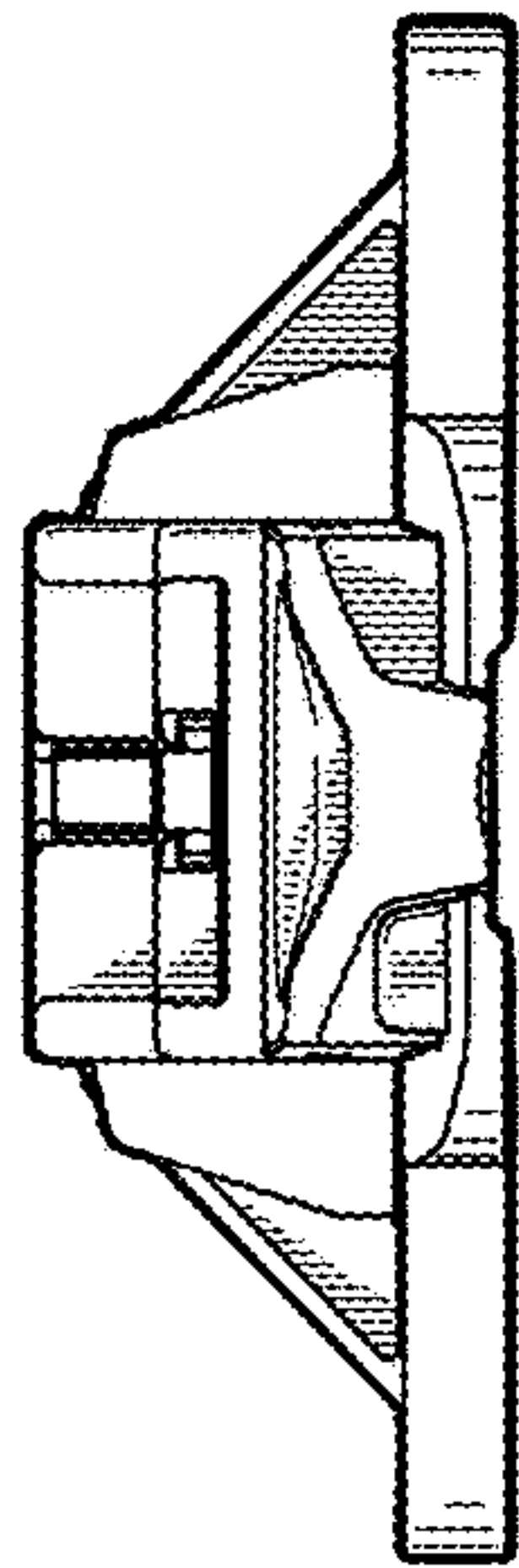


FIG. 2

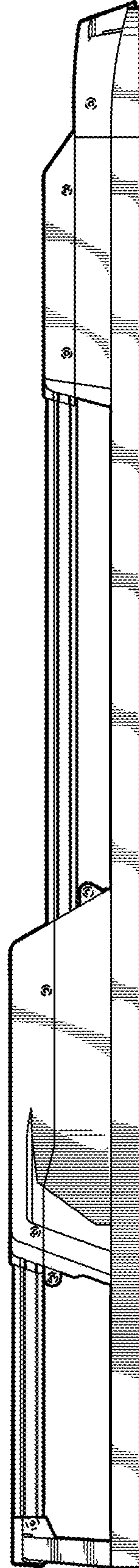


FIG. 3

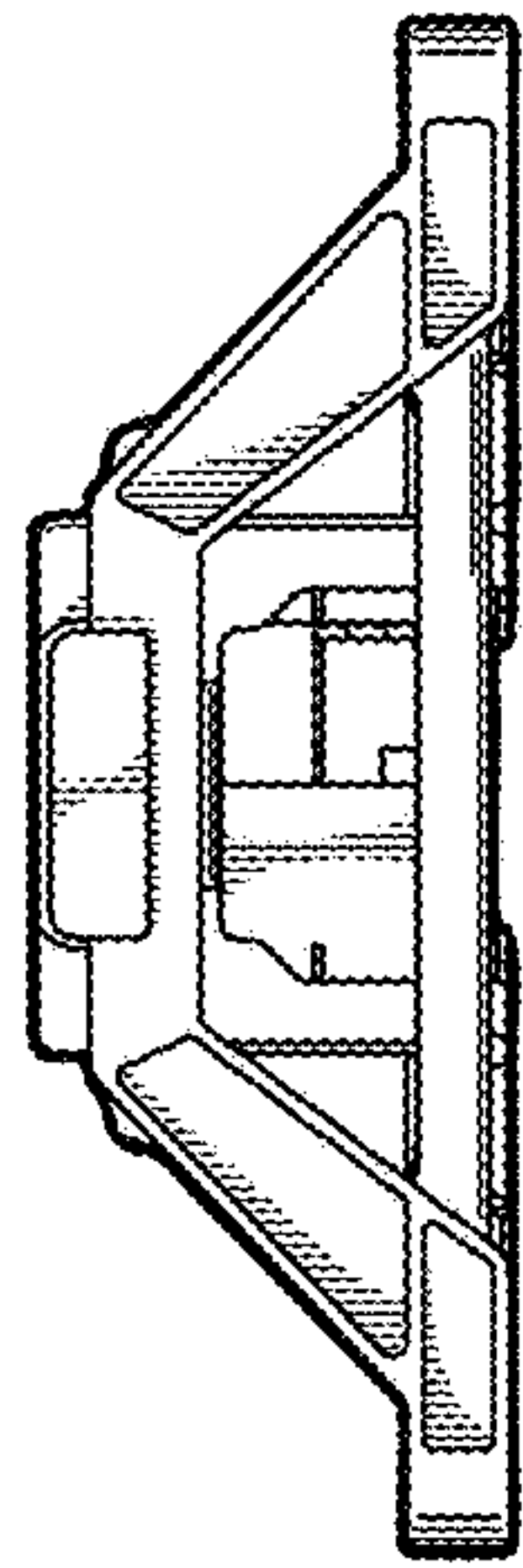


FIG. 4

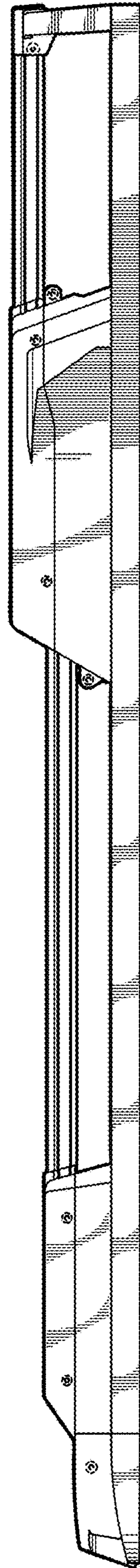


FIG. 5

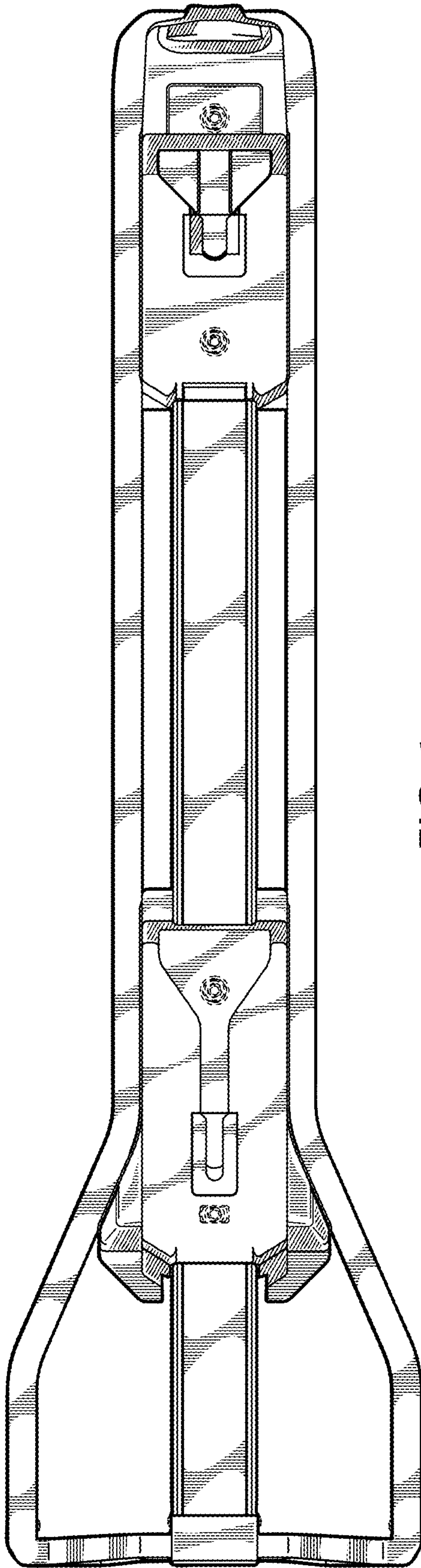


FIG. 6

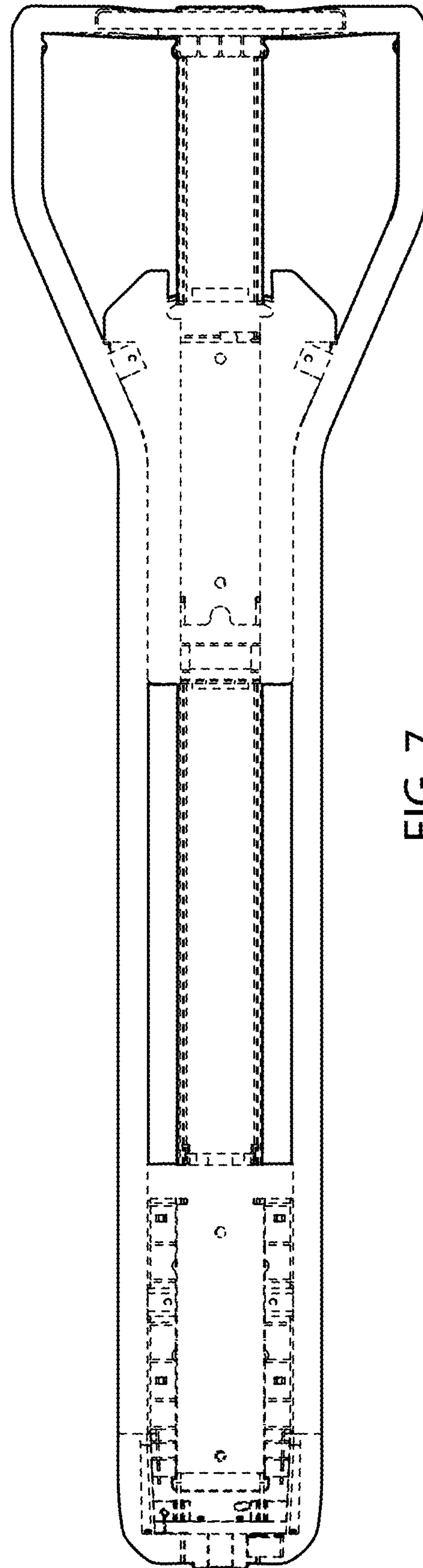


FIG. 7

UNITED STATES PATENT AND TRADEMARK OFFICE
CERTIFICATE OF CORRECTION

PATENT NO. : D794,205 S
APPLICATION NO. : 29/536593
DATED : August 8, 2017
INVENTOR(S) : Brandon David Naber et al.

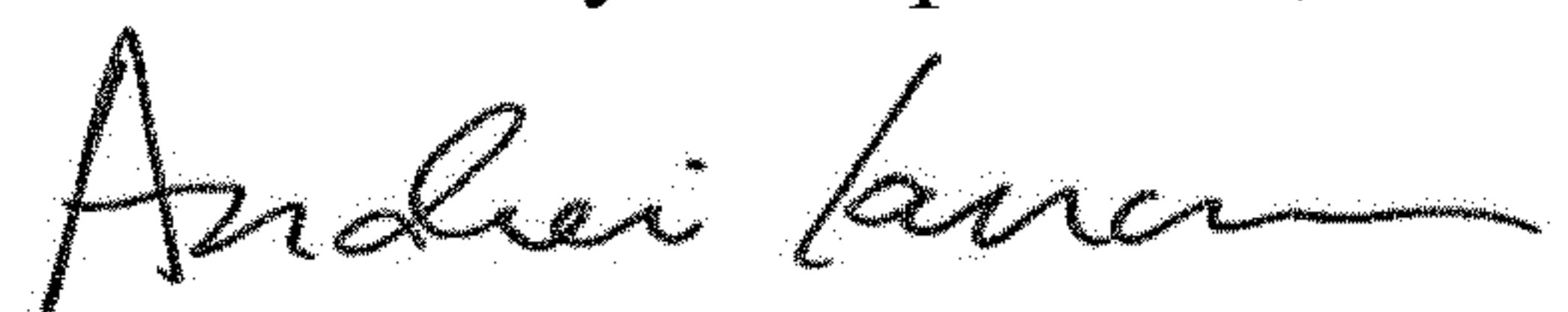
Page 1 of 1

It is certified that error appears in the above-identified patent and that said Letters Patent is hereby corrected as shown below:

On the Title Page

Item (72) Please add the following after Kurosh Nahavandi, Portage, MI (US) -- Nathan Wray Matheny, Portage, MI (US); Michael T. Brubaker, Portage, MI (US); Charles Louis Crouch, Plainwell, MI (US); Jason James Wroblewski, Kalamazoo, MI (US); Clifford Edwin Lambarth, Portage, MI (US)
--

Signed and Sealed this
Fifteenth Day of September, 2020



Andrei Iancu
Director of the United States Patent and Trademark Office