



US00D794204S

(12) **United States Design Patent** (10) **Patent No.:** **US D794,204 S**
Lajtai et al. (45) **Date of Patent:** **** Aug. 8, 2017**

(54) **SHOULDER POSITIONING DEVICE**

(71) Applicant: **KARL STORZ GmbH & Co. KG**,
Tuttlingen (DE)

(72) Inventors: **George Lajtai**, Klagenfurt (AT); **Yann Thouement**, Les Essarts le Roi (FR);
Kerstin Lautemann, Braeunlingen (DE); **Sascha Berberich**, Tuttlingen (DE)

(73) Assignee: **KARL STORZ GmbH & Co. KG**,
Tuttlingen (DE)

(**) Term: **14 Years**

(21) Appl. No.: **29/520,966**

(22) Filed: **Mar. 19, 2015**

(30) **Foreign Application Priority Data**

Sep. 19, 2014 (EM) 002541524-0001
Sep. 19, 2014 (EM) 002541524-0002

(51) **LOC (10) Cl.** **24-02**

(52) **U.S. Cl.**
USPC **D24/184**

(58) **Field of Classification Search**
USPC D24/143, 171, 183–185, 188, 190–191,
D24/200
CPC ... A61B 8/40; A61B 19/203; A61B 2017/681;
A61B 5/702; A61B 5/704; A61B 5/706;
A61B 5/708; A61B 6/04; A61B
5/150748; A47C 20/027; A47C 20/025;
A47G 9/10; A47G 2009/1018; A61G
13/0036; A61F 5/04

See application file for complete search history.

(56) **References Cited**

U.S. PATENT DOCUMENTS

2,590,739 A * 3/1952 Wagner A61F 5/04
602/39
3,654,922 A * 4/1972 Outcalt A61H 1/0218
602/32

(Continued)

OTHER PUBLICATIONS

Shoulder Traction Unit—Setup [online]. Kaltec, Aug. 20, 2015
[retrieved on Sep. 12, 2016]. Retrieved from the Internet:< http://www.kaltec.com.au/downloads/stu_inst.pdf>.*

Primary Examiner — Mary Ann Calabrese

Assistant Examiner — Sloan Rozin

(74) *Attorney, Agent, or Firm* — Muncy, Geissler, Olds &
Lowe, P.C.

(57) **CLAIM**

The ornamental design for a shoulder positioning device, as shown and described.

DESCRIPTION

FIG. 1 is a front perspective view of a shoulder positioning device to the present invention.

FIG. 2 is a left side view of the shoulder positioning device of FIG. 1.

FIG. 3 is a right side view of the shoulder positioning device of FIG. 1.

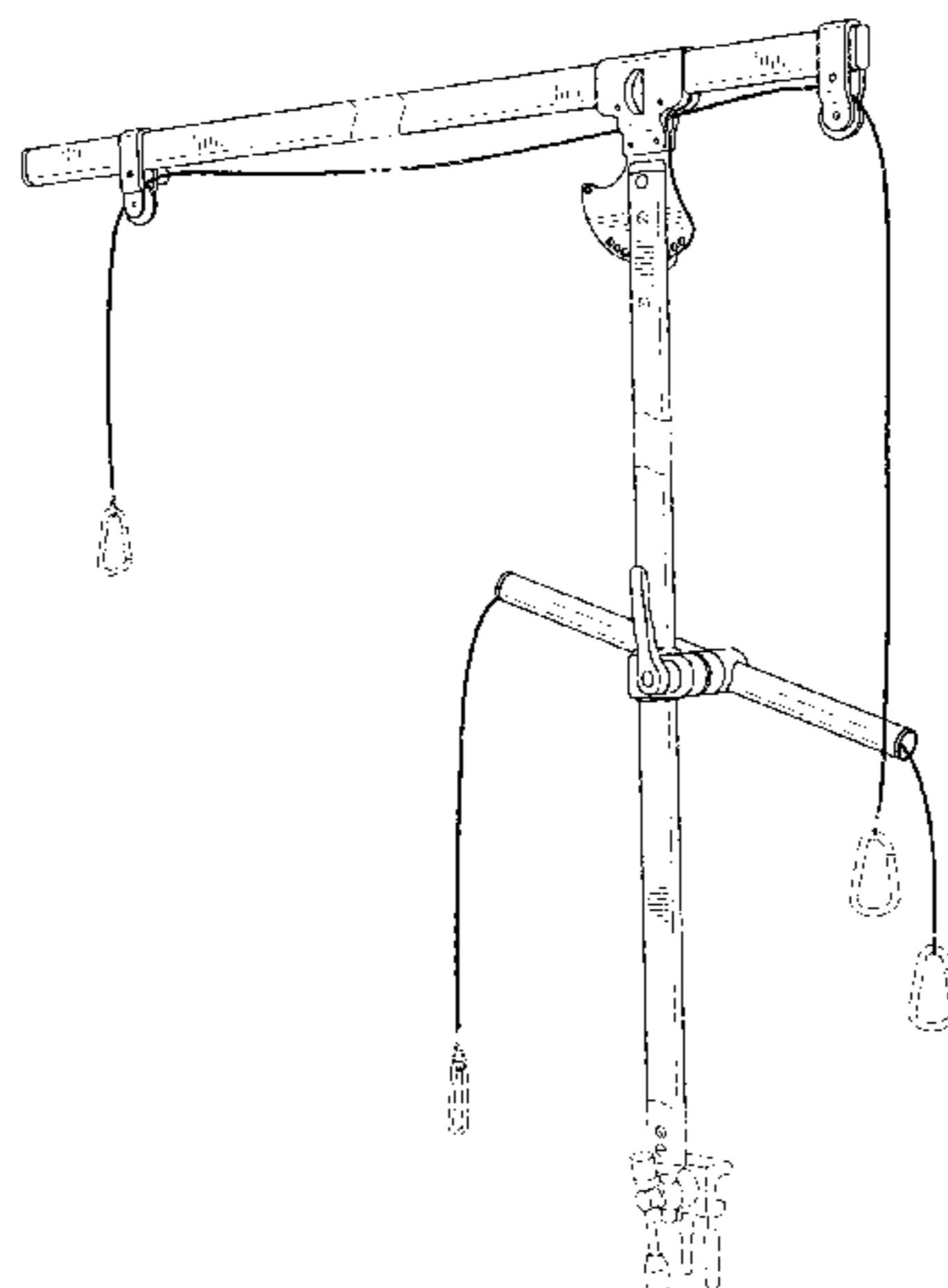
FIG. 4 is a front view of the shoulder positioning device of FIG. 1.

FIG. 5 is a rear view of the shoulder positioning device of FIG. 1.

FIG. 6 is a bottom view of the shoulder positioning device of FIG. 1; and,

FIG. 7 is a top view of the shoulder positioning device of FIG. 1.

(Continued)



The dashed lines illustrate environment that does not form a part of the present invention, and no claim is made to the material illustrated with dashed lines.

The shoulder positioning device is shown with symbolic breaks in its length. The appearance of any portion of the article between the break lines forms no part of the claimed design.

1 Claim, 7 Drawing Sheets

(56)

References Cited

U.S. PATENT DOCUMENTS

3,892,230	A *	7/1975	Baker	A61H 1/0281 601/33
D244,058	S *	4/1977	Kowal	D24/188
4,042,232	A *	8/1977	Lile	A61G 13/12 5/503.1
4,616,637	A *	10/1986	Caspari	A61F 5/04 5/623
D309,184	S *	7/1990	Sanderson	D24/183
5,179,939	A *	1/1993	Donovan	A61H 1/0281 482/4
D565,734	S *	4/2008	Scott	D24/183
D681,215	S *	4/2013	Kessler	D24/188
D713,965	S *	9/2014	Campagna	D24/188
D746,474	S *	12/2015	Koros	D24/128
2002/0082530	A1 *	6/2002	Knoll	A61H 1/0281 601/23
2009/0227929	A1 *	9/2009	Gondringer	A61F 5/04 602/33

* cited by examiner

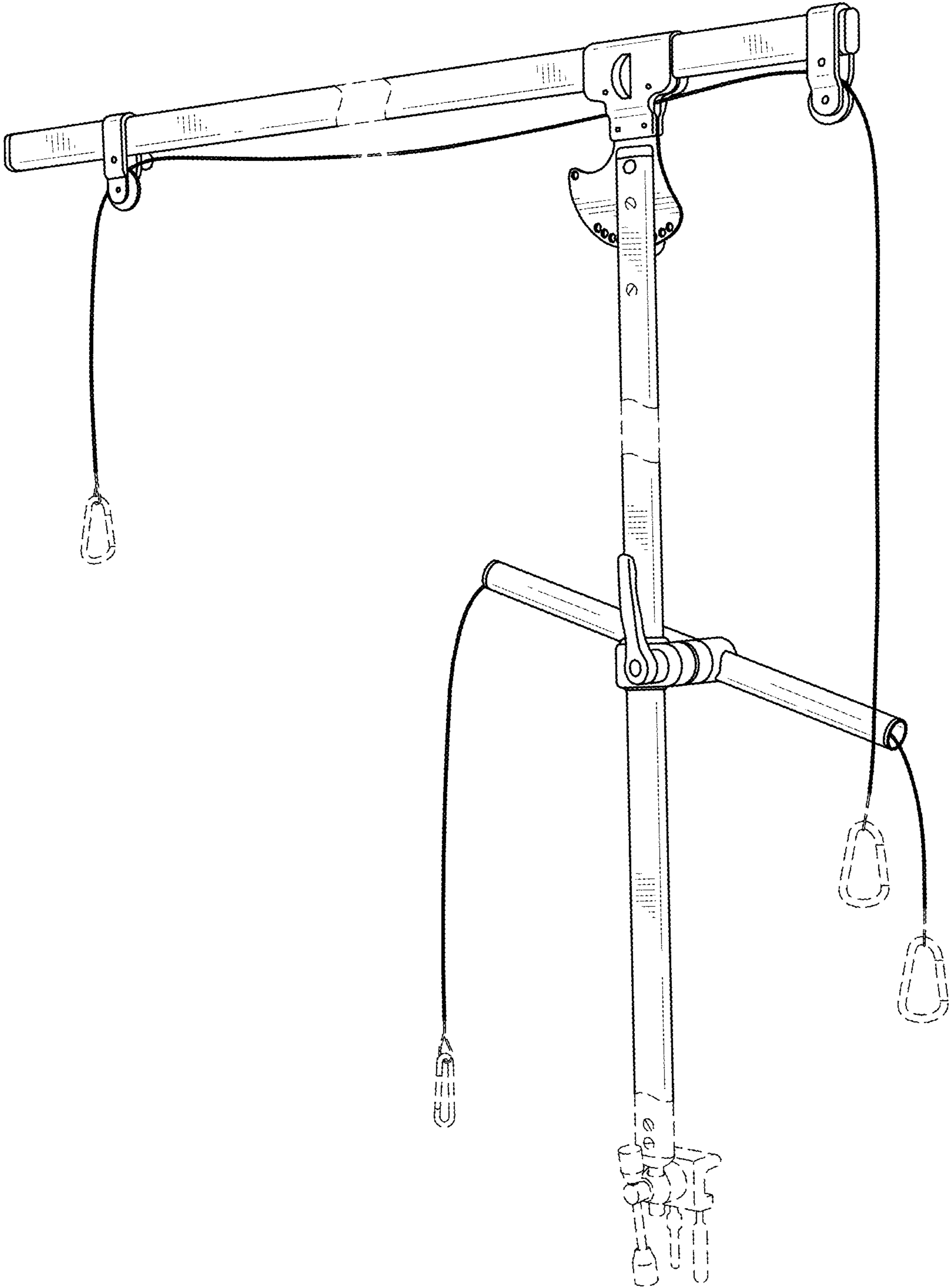


FIG.1

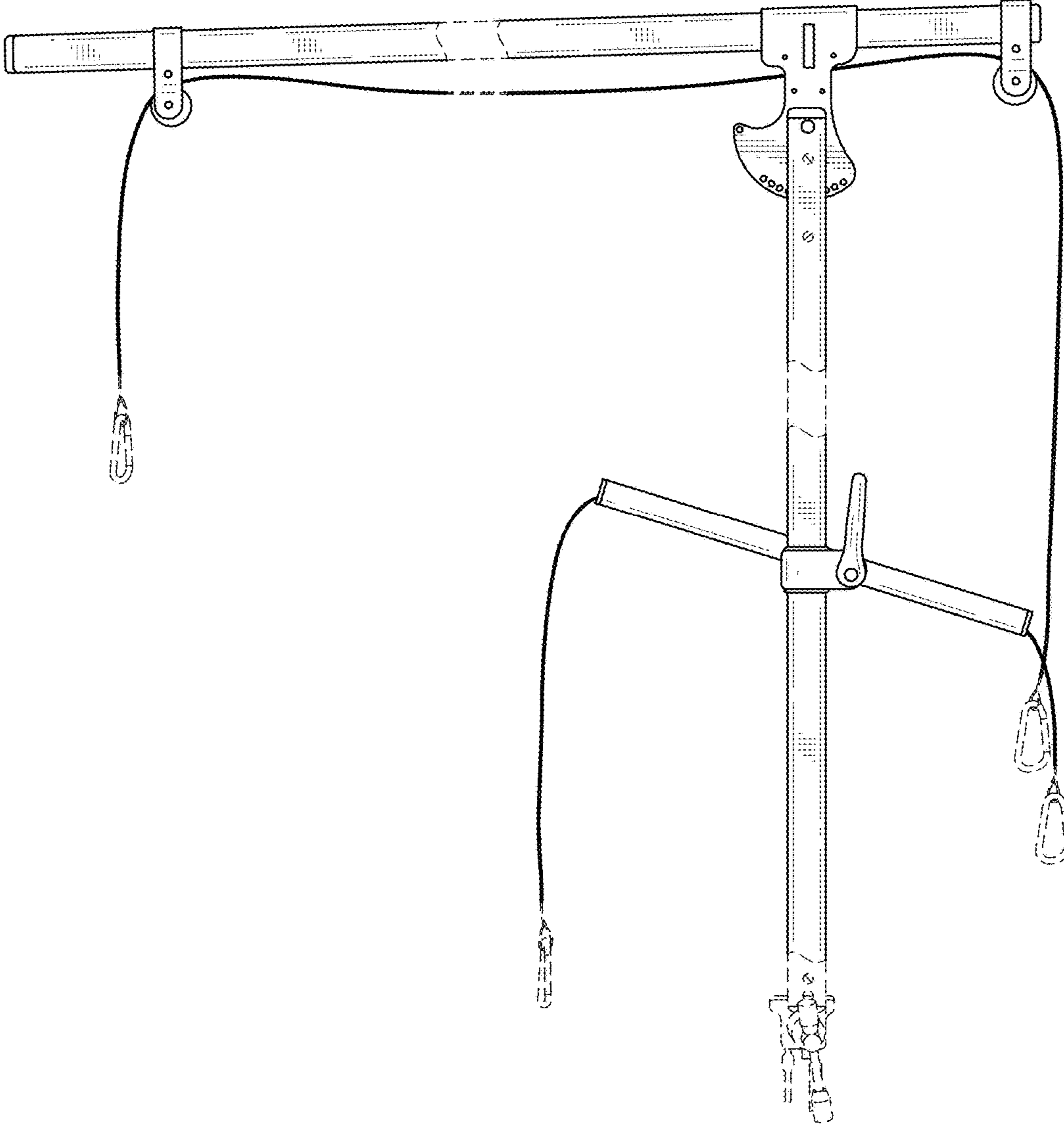


FIG.2

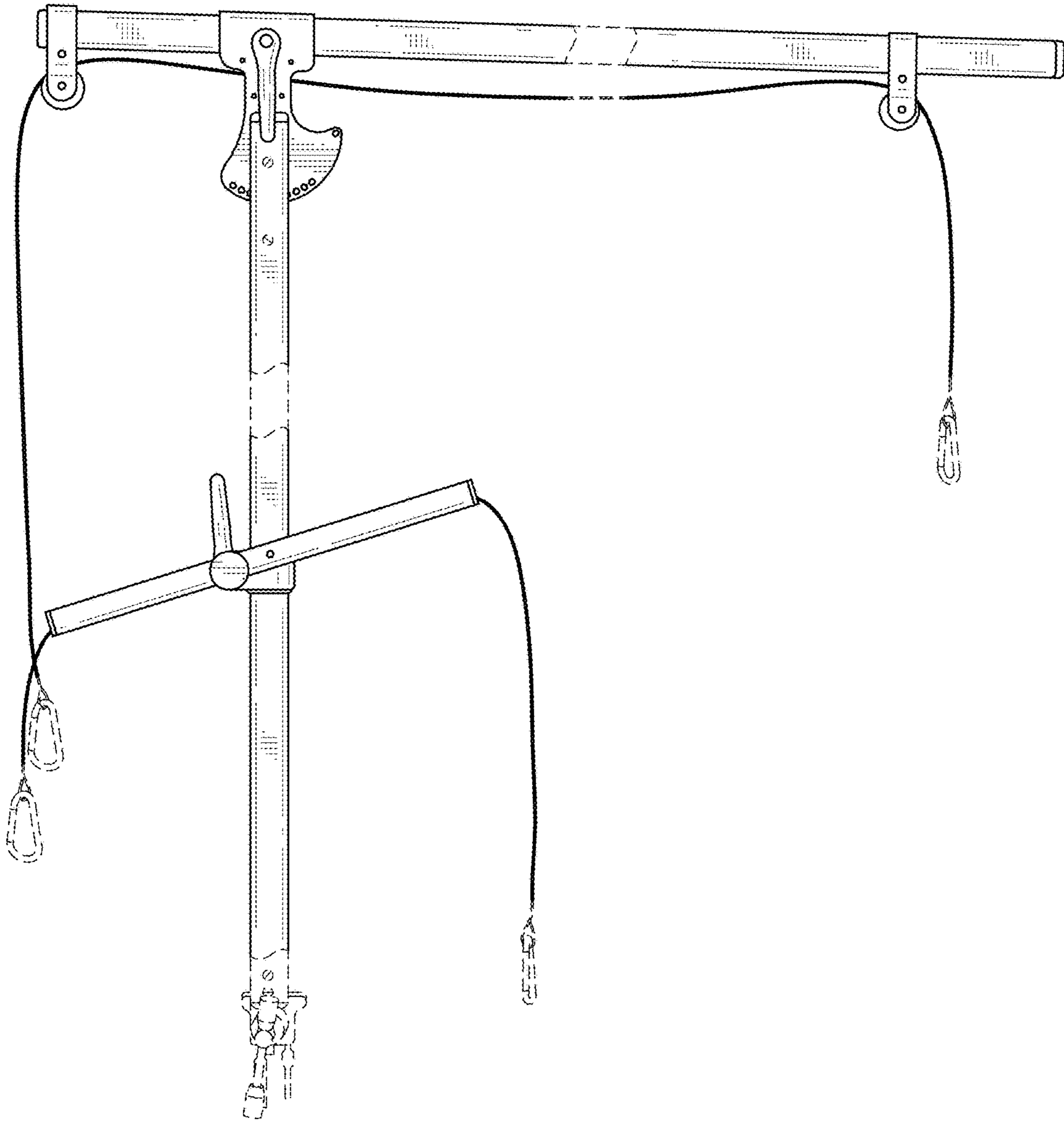


FIG.3

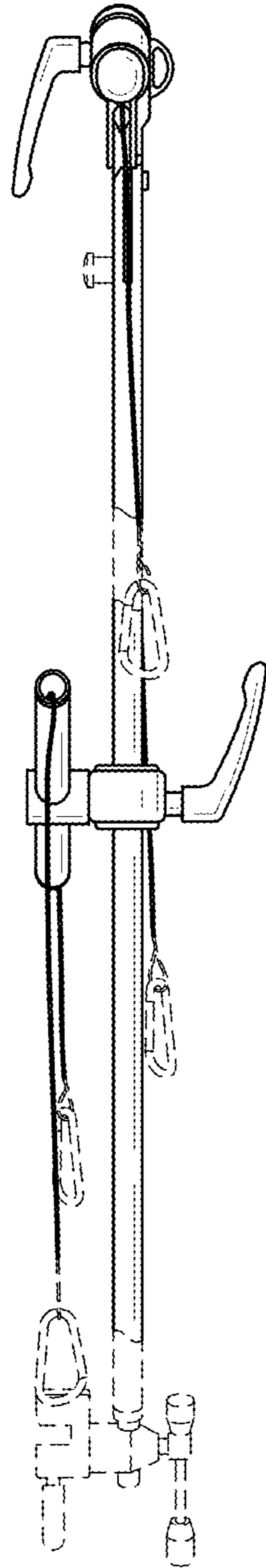


FIG.4

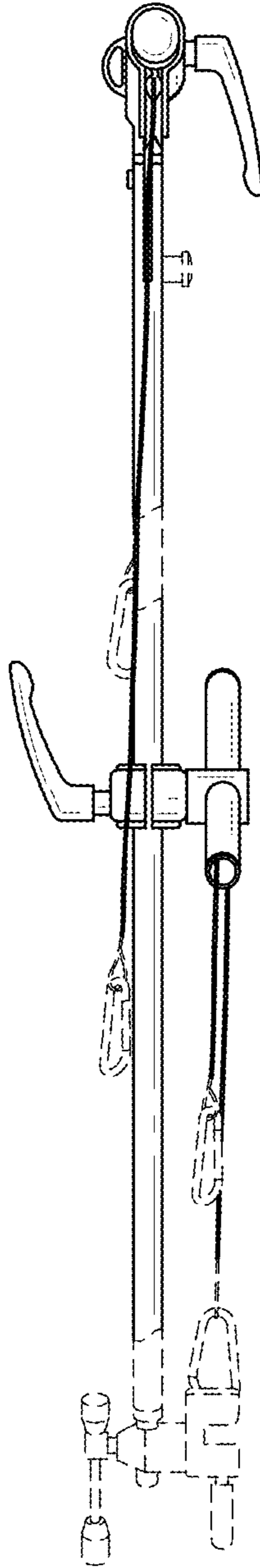


FIG.5

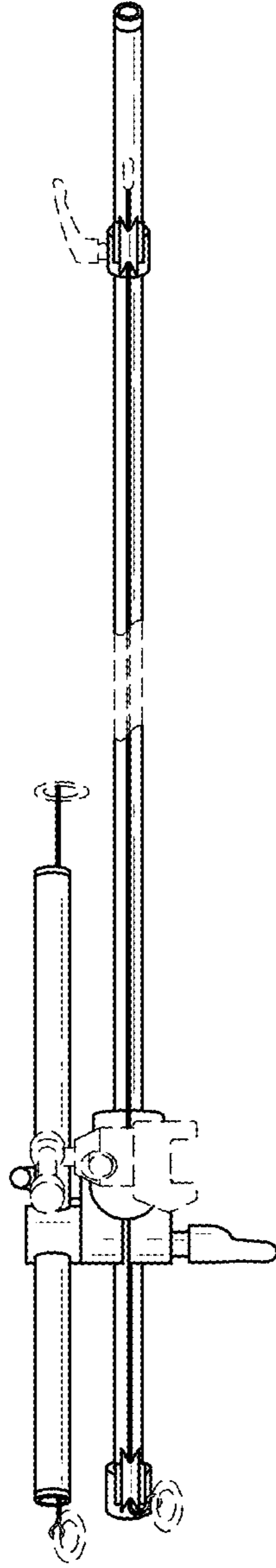


FIG.6

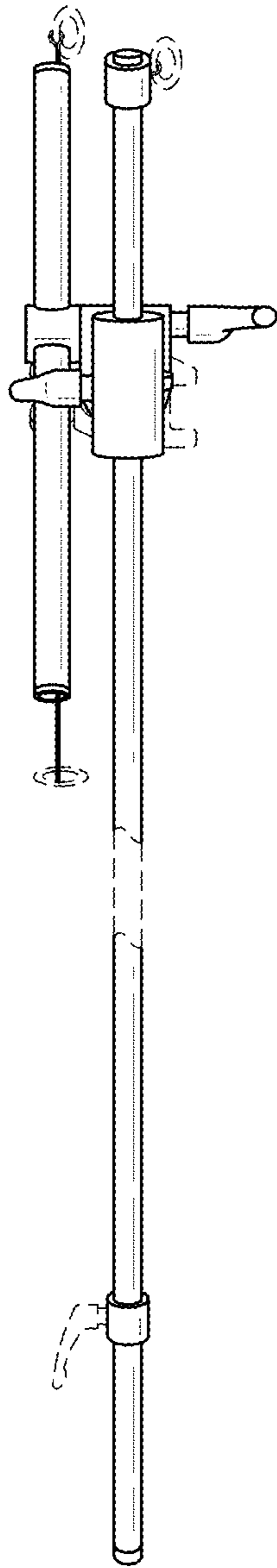


FIG.7