



US00D794202S

(12) **United States Design Patent**
Watzke et al.

(10) **Patent No.:** **US D794,202 S**
(45) **Date of Patent:** **** Aug. 8, 2017**

(54) **OCCLUSIONOM**
(71) Applicant: **Ivoclar Vivadent AG**, Schaan (LI)
(72) Inventors: **Ronny Watzke**, Feldkirch (AT); **Robert Grünenfelder**, Eschen (LI); **Senad Lidan**, Buchs (CH); **Christian Frei**, Naturns (IT); **Stephanie Huth**, Koblach (AT)
(73) Assignee: **Ivoclar Vivadent AG**, Schaan (LI)
(**) Term: **15 Years**
(21) Appl. No.: **29/533,320**
(22) Filed: **Jul. 16, 2015**

(30) **Foreign Application Priority Data**
Jan. 23, 2015 (WO) 868020901
(51) **LOC (10) Cl.** **24-02**
(52) **U.S. Cl.**
USPC **D24/182**
(58) **Field of Classification Search**
USPC D24/176-182
CPC A61C 19/05; A61C 19/045; A61C 19/04;
A61C 11/11; A61C 11/025; A61C 11/06
See application file for complete search history.

(56) **References Cited**
U.S. PATENT DOCUMENTS
1,052,806 A * 2/1913 Evens A61C 19/045
433/73
3,069,774 A * 12/1962 Levy A61C 19/045
433/73
3,577,855 A * 5/1971 Baum A61C 19/045
33/514
4,330,277 A * 5/1982 Beu A61C 19/045
433/73
4,634,377 A * 1/1987 Behrend A61C 19/045
433/68

4,639,220 A * 1/1987 Nara A61C 19/045
433/68
4,681,539 A * 7/1987 Knap A61C 19/045
433/73
4,836,779 A * 6/1989 Beu A61C 19/045
433/73
4,892,480 A * 1/1990 Levandoski A61C 19/045
433/73
4,909,737 A * 3/1990 Lee A61C 19/045
433/69
5,632,619 A * 5/1997 Polz A61C 19/045
433/57
6,582,931 B1 * 6/2003 Kois A61C 19/05
33/513
7,048,539 B2 * 5/2006 Mack A61C 19/045
433/73
2015/0327967 A1 * 11/2015 Baaske A61C 19/045
433/68

* cited by examiner

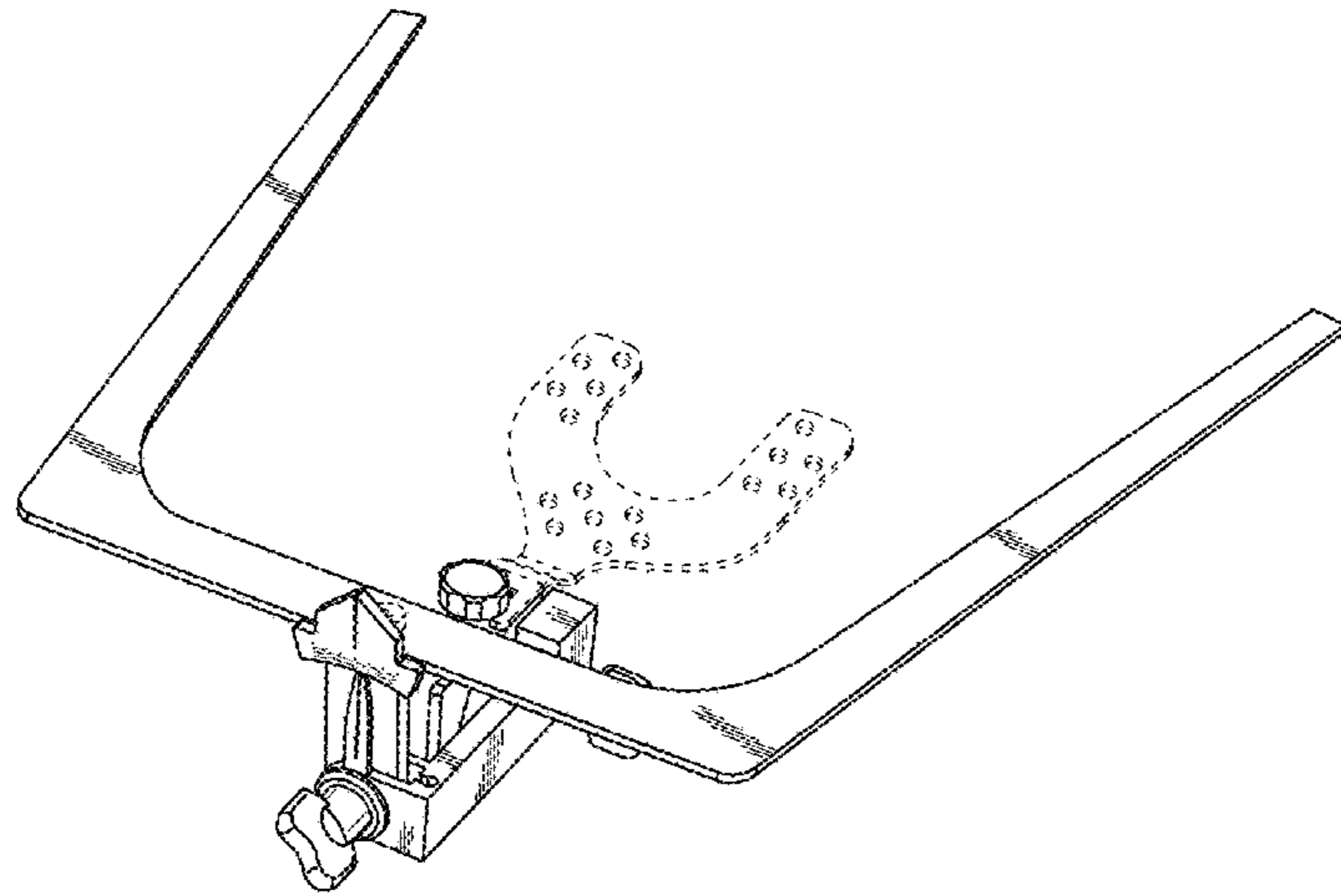
Primary Examiner — Wan Laymon
(74) *Attorney, Agent, or Firm* — Ann M. Knab; Thad McMurray

(57) **CLAIM**
The ornamental design for an occlusionom, as shown and described.

DESCRIPTION

FIG. 1 is a perspective front view of an occlusionom, showing our new design
FIG. 2 is a bottom plan view thereof.
FIG. 3 is a top plan view thereof.
FIG. 4 is a rear view thereof.
FIG. 5 is a front view thereof.
FIG. 6 is a left side view thereof; and,
FIG. 7 is a right side view thereof.
The dot-dot broken line and dash broken line shown in the figures represent portions of the occlusionom that form no part of the claimed design.

1 Claim, 7 Drawing Sheets



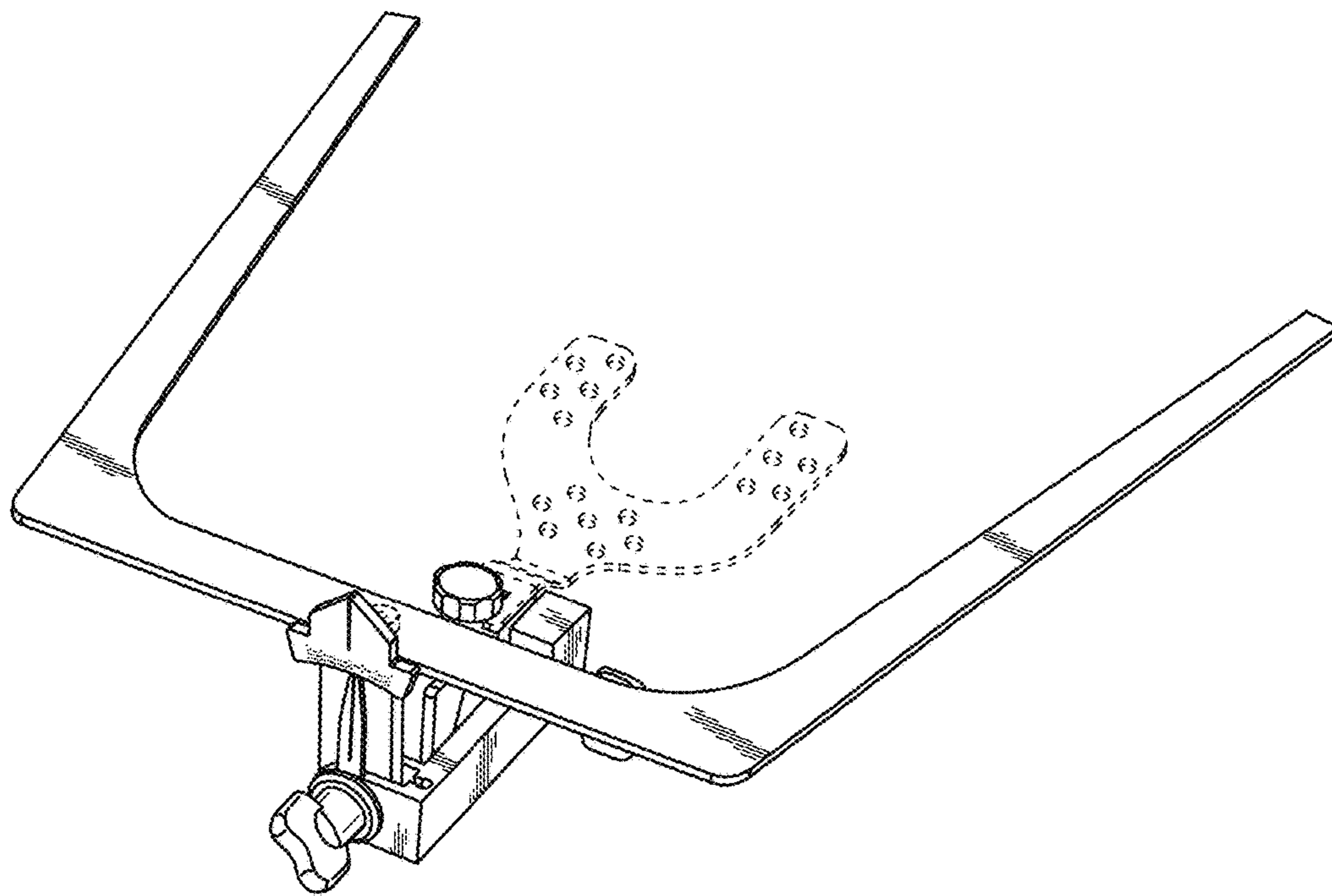


Fig. 1

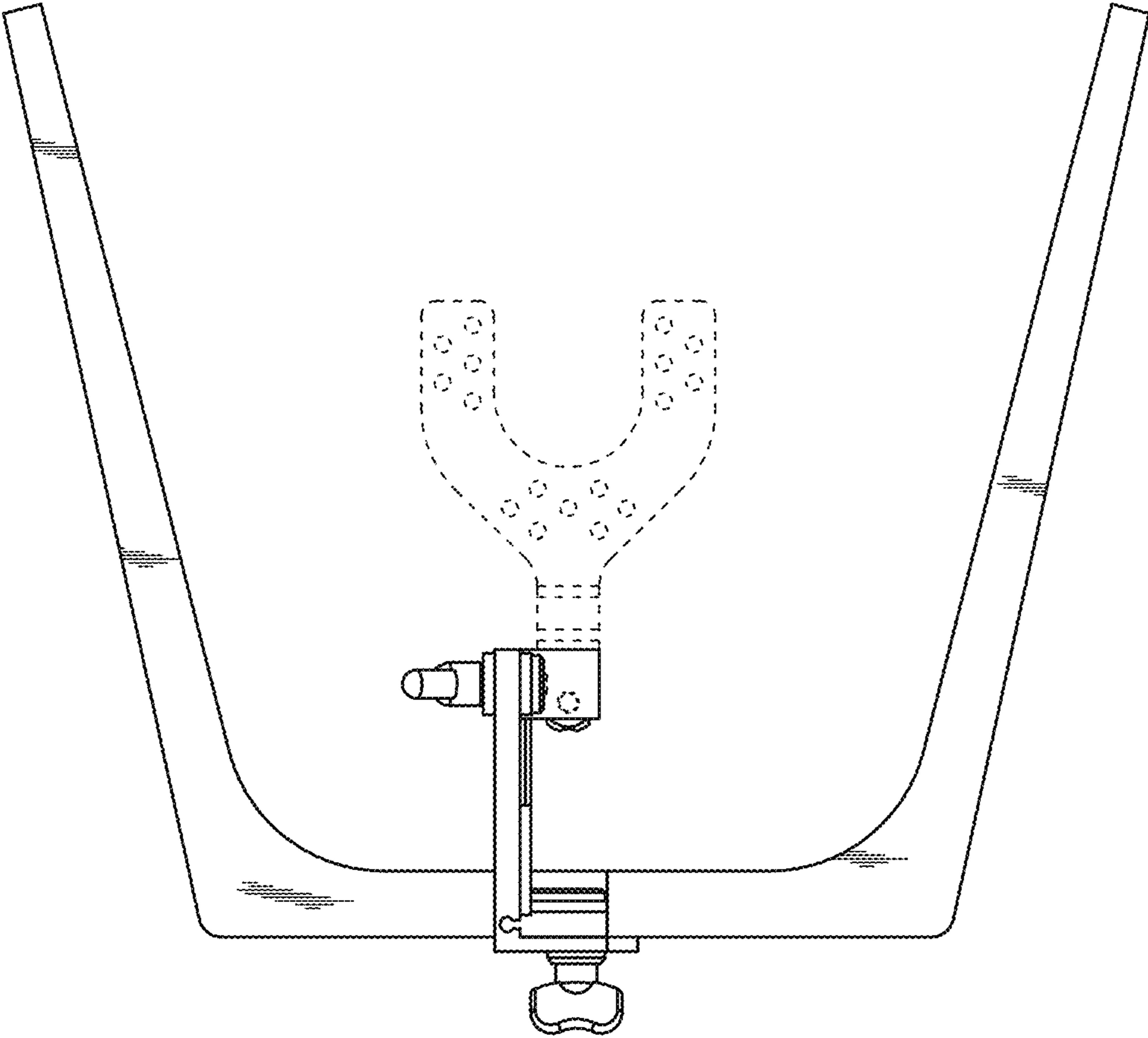


Fig. 2

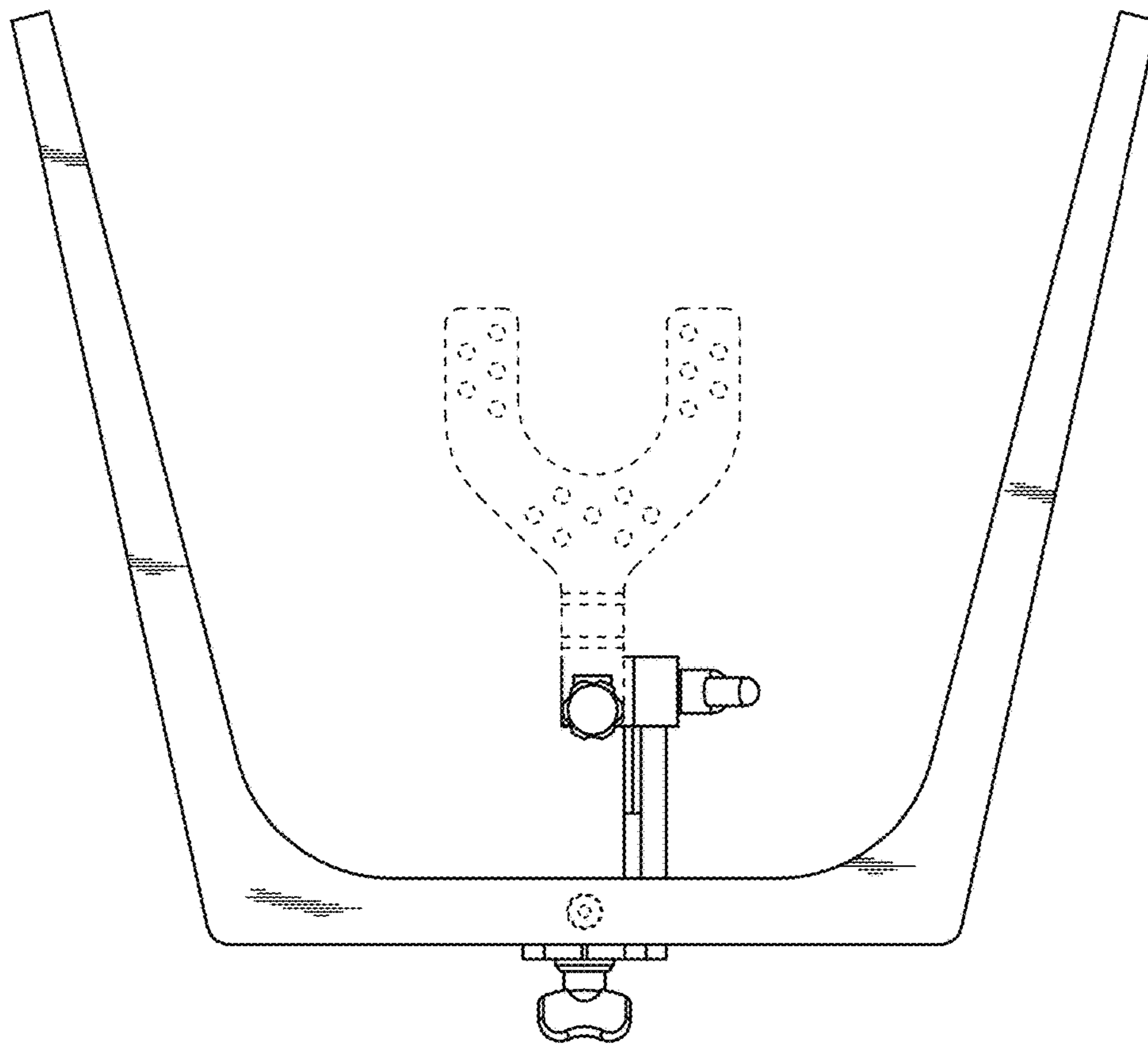


Fig. 3

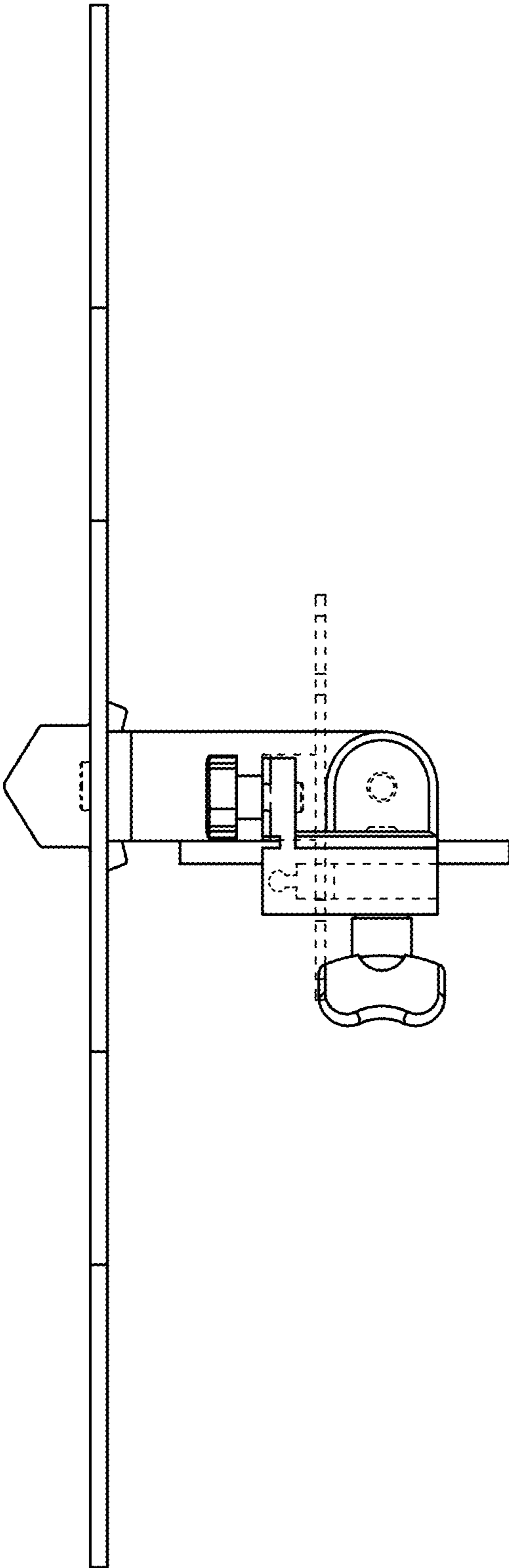


Fig. 4

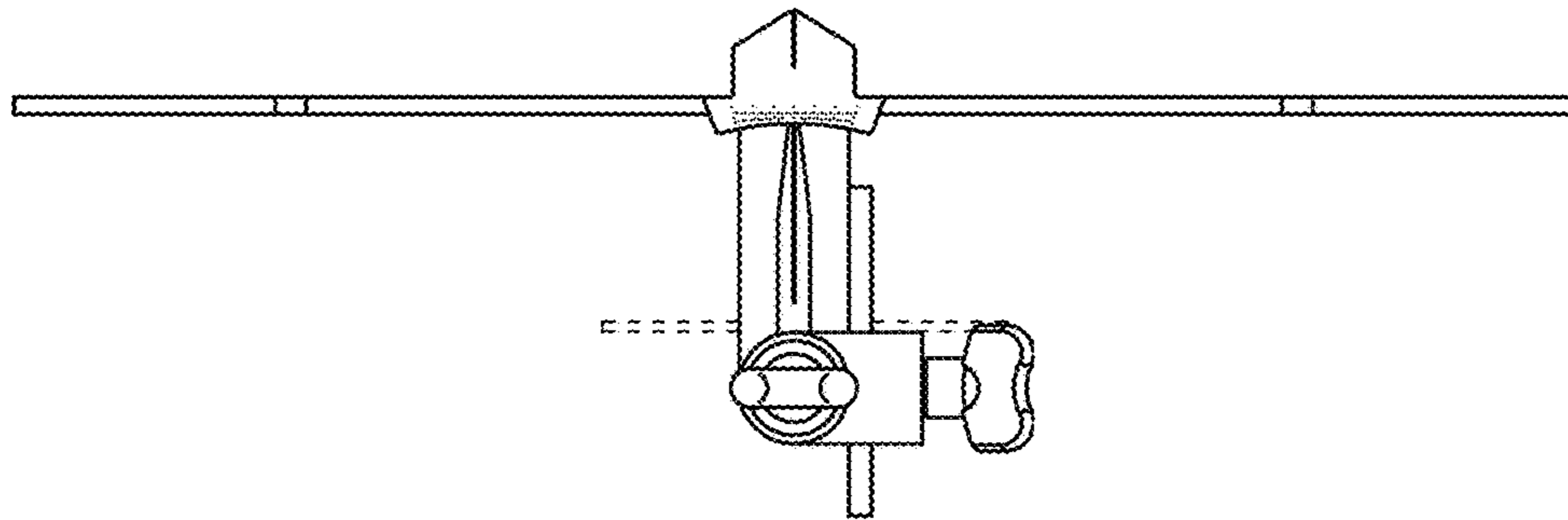


Fig. 5

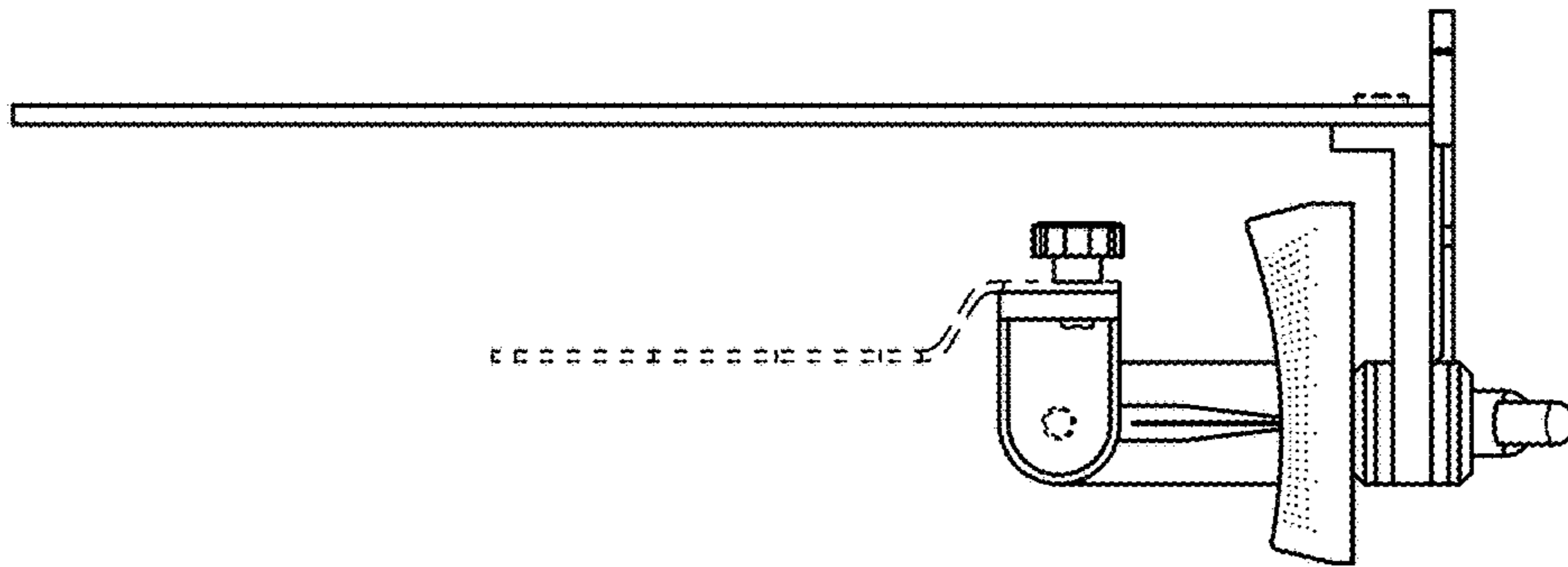


Fig. 6

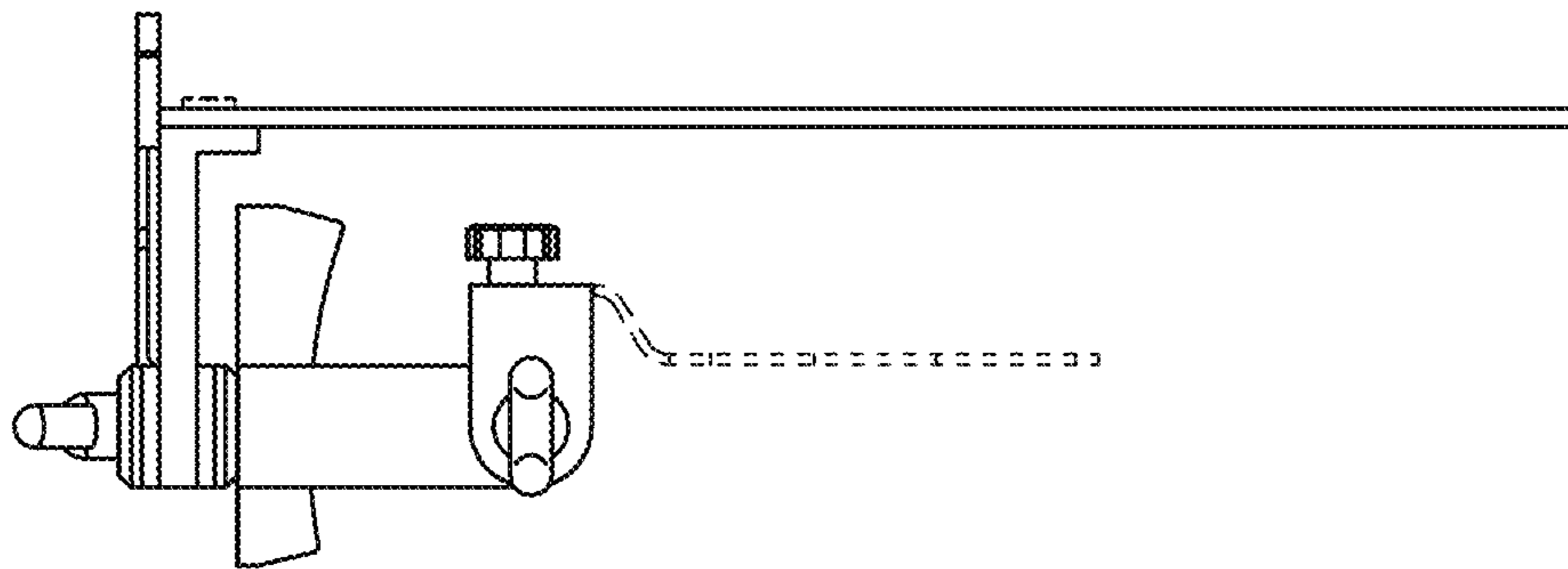


Fig. 7