



US00D794201S

(12) **United States Design Patent** (10) **Patent No.:** **US D794,201 S**
Newhouse et al. (45) **Date of Patent:** **** Aug. 8, 2017**

(54) **MEDICAL DEVICE ELECTRONIC MODULE**

(71) Applicant: **DexCom, Inc.**, San Diego, CA (US)

(72) Inventors: **Todd Andrew Newhouse**, San Diego, CA (US); **Ryan Schoonmaker**, Oceanside, CA (US)

(73) Assignee: **Dexcom, Inc.**, San Diego, CA (US)

(**) Term: **15 Years**

(21) Appl. No.: **29/532,766**

(22) Filed: **Jul. 9, 2015**

(51) **LOC (10) Cl.** **24-01**

(52) **U.S. Cl.**
USPC **D24/169**

(58) **Field of Classification Search**
USPC D24/107, 108, 111, 112, 113, 147, 169,
D24/186, 216, 223, 231; D10/78, 81
CPC G01N 33/66; G01N 33/49; G01N 33/493;
A61B 5/14532; A61B 2560/0412; A61B
2560/0443; A61B 2560/0462; A61M
25/0606; A61M 25/0631; A61M
2005/1585

See application file for complete search history.

(56) **References Cited**

U.S. PATENT DOCUMENTS

D425,990	S	*	5/2000	Gravel	D24/169
D439,657	S	*	3/2001	Bridle	D24/113
D506,007	S	*	6/2005	Best	D24/169
D564,087	S	*	3/2008	Yodfat	D24/108
D581,533	S	*	11/2008	Ruf	D24/146
D612,484	S	*	3/2010	Yodfat	D24/111
D619,245	S	*	7/2010	Moga	D24/113
D673,678	S	*	1/2013	Hong	D24/146
D676,549	S	*	2/2013	Lovell	D24/113
2004/0138588	A1	*	7/2004	Saikley	A61B 5/14532 600/583

2011/0046456	A1	*	2/2011	Hordum	A61M 5/158 600/309
2011/0160669	A1	*	6/2011	Gym	A61M 5/158 604/151
2012/0136299	A1	*	5/2012	Constantineau	A61M 5/158 604/117
2013/0079719	A1	*	3/2013	Gym	A61M 5/158 604/134
2013/0267811	A1		10/2013	Pryor et al.		
2014/0276576	A1	*	9/2014	Cole	A61M 5/158 604/506
2016/0157759	A1	*	6/2016	Yang	A61B 5/0002 600/365
2016/0287150	A1	*	10/2016	Yu	A61B 5/0004

* cited by examiner

Primary Examiner — Anhdao Doan

(74) *Attorney, Agent, or Firm* — Knobbe Martens Olson & Bear LLP

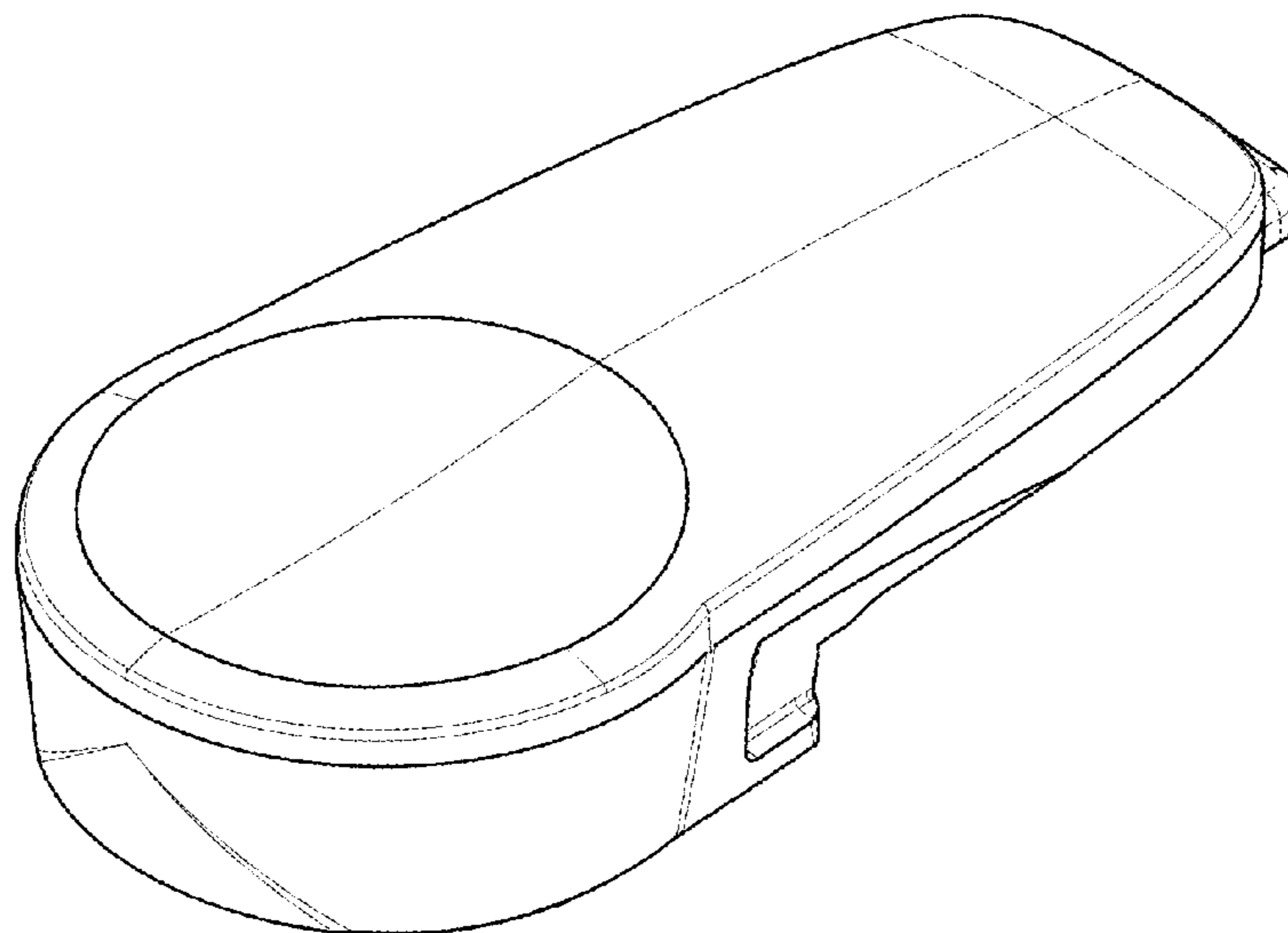
(57) **CLAIM**

The ornamental design for a medical device electronic module, as shown and described.

DESCRIPTION

FIG. 1 is a top perspective view of an embodiment of a medical device electronic module;
FIG. 2 is a bottom perspective view of the electronic module of FIG. 1;
FIG. 3 is a front view of the electronic module of FIG. 1;
FIG. 4 is a rear view of the electronic module of FIG. 1;
FIG. 5 is a right side view of the electronic module of FIG. 1;
FIG. 6 is a left side view of the electronic module of FIG. 1;
FIG. 7 is a top view of the electronic module of FIG. 1; and,
FIG. 8 is a bottom view of the electronic module of FIG. 1.
The broken lines illustrate portions of the medical device electronic module that form no part of the claimed design.

1 Claim, 8 Drawing Sheets



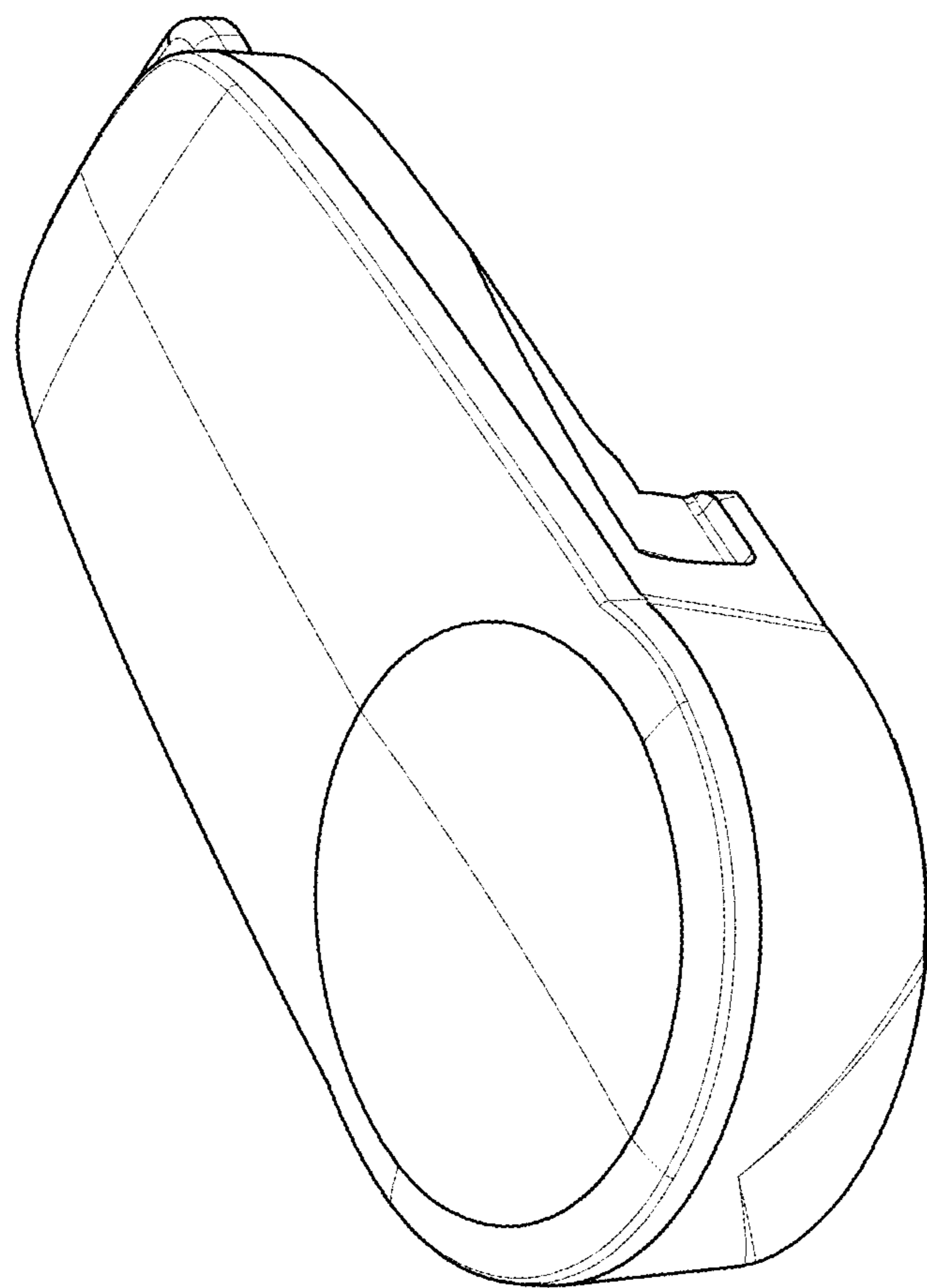


FIG. 1

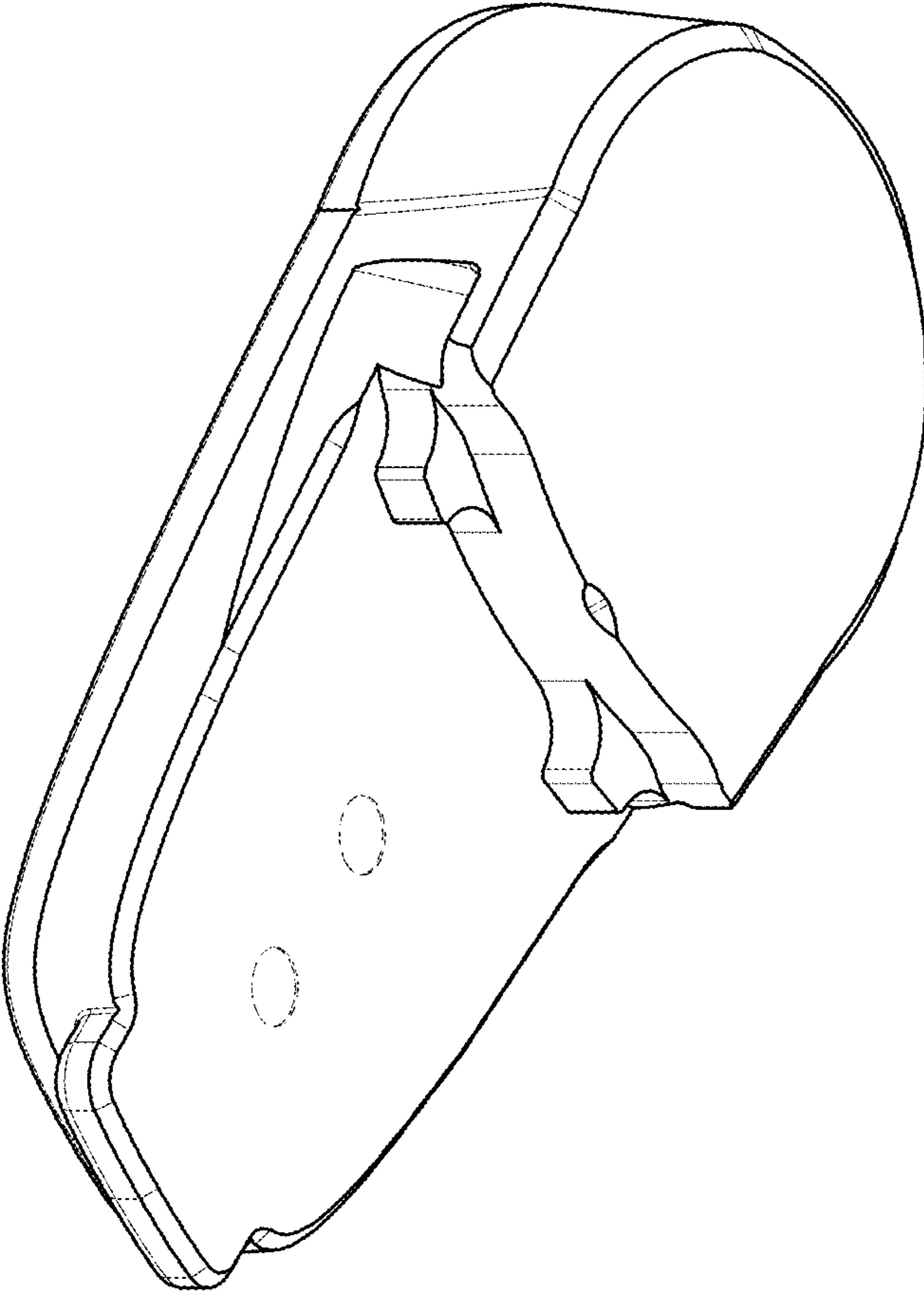


FIG. 2

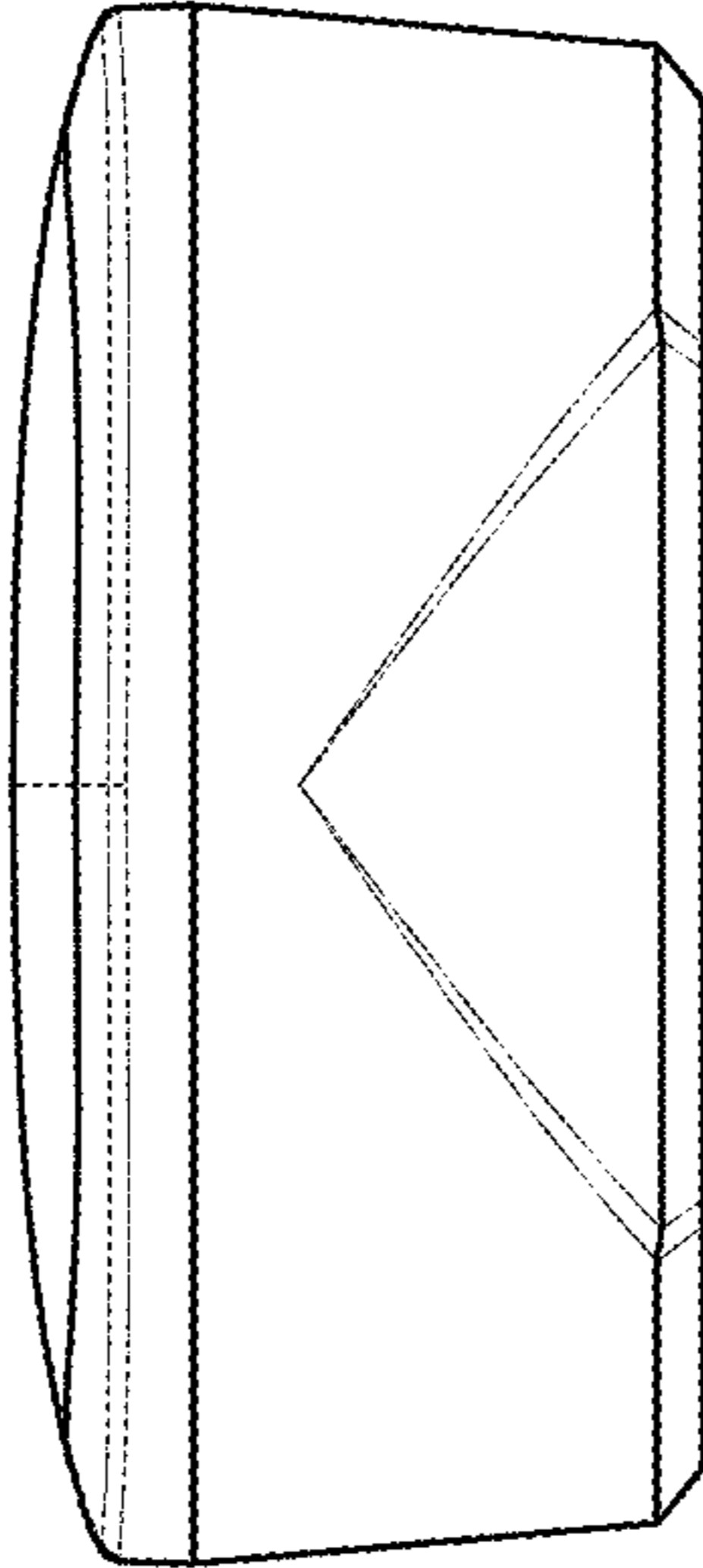


FIG. 3

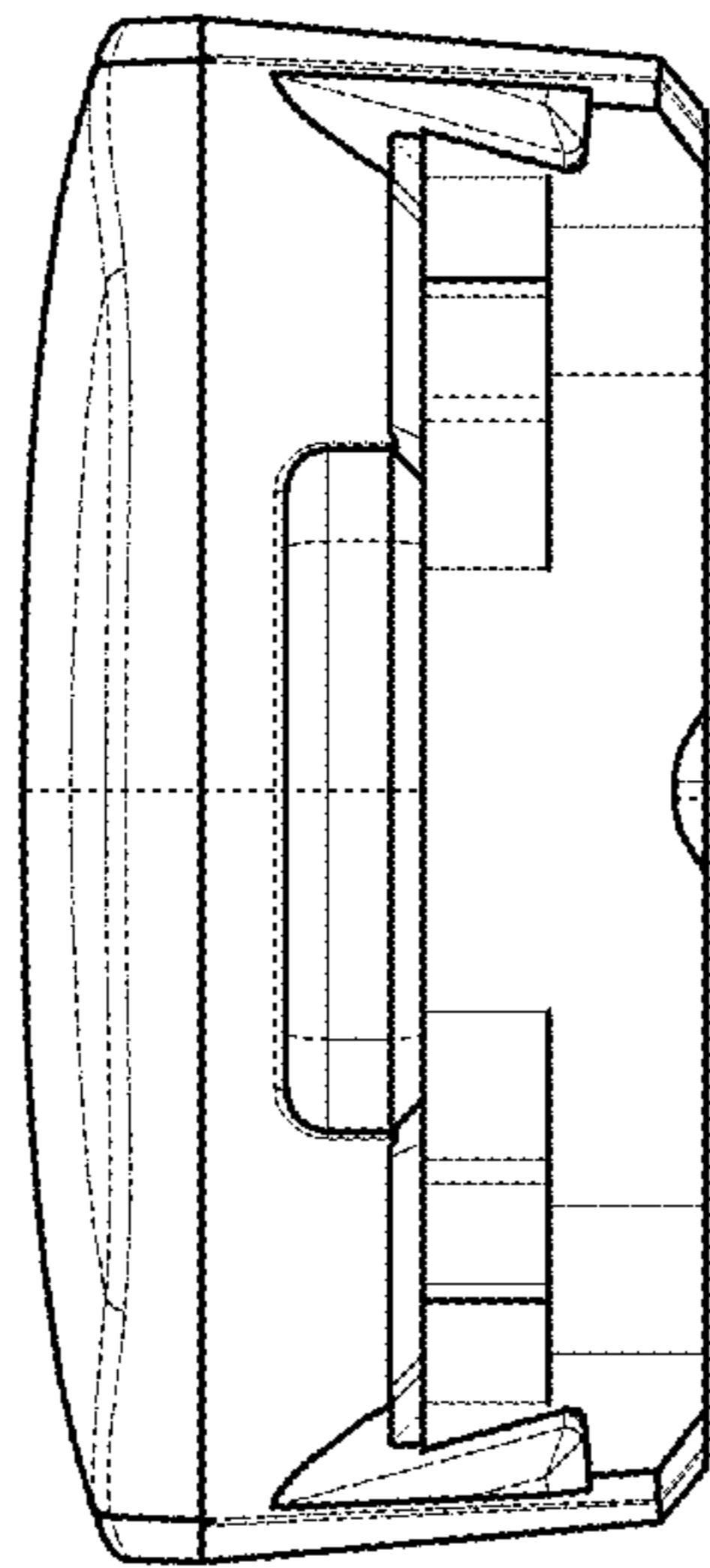


FIG. 4

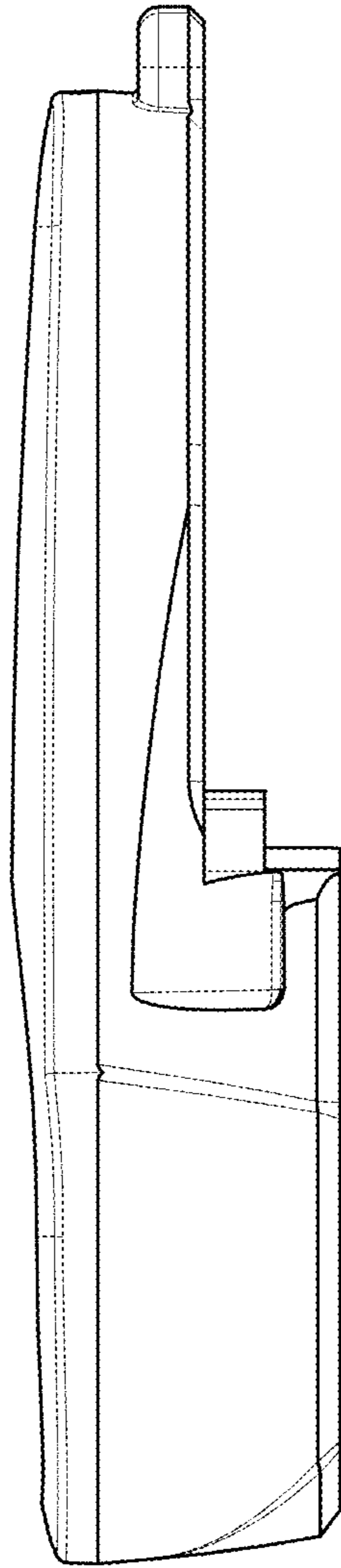


FIG. 5

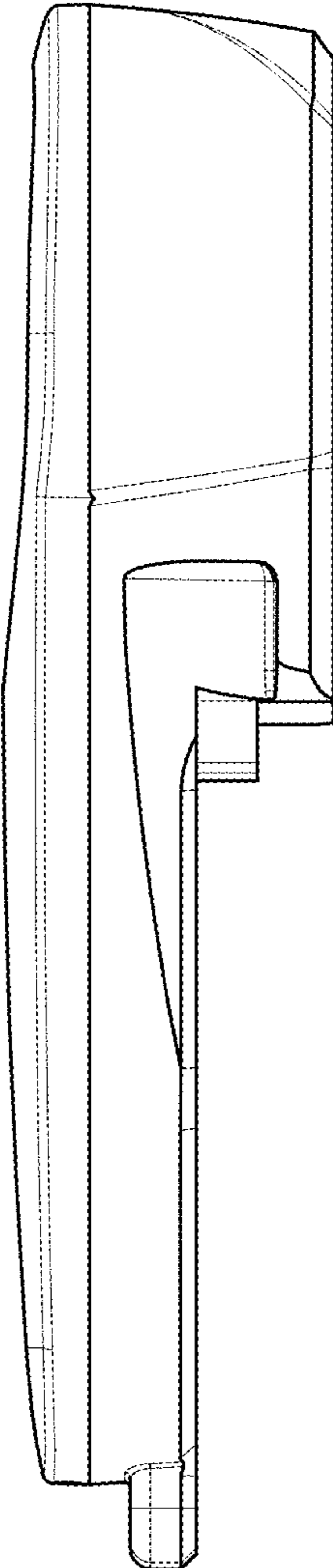


FIG. 6

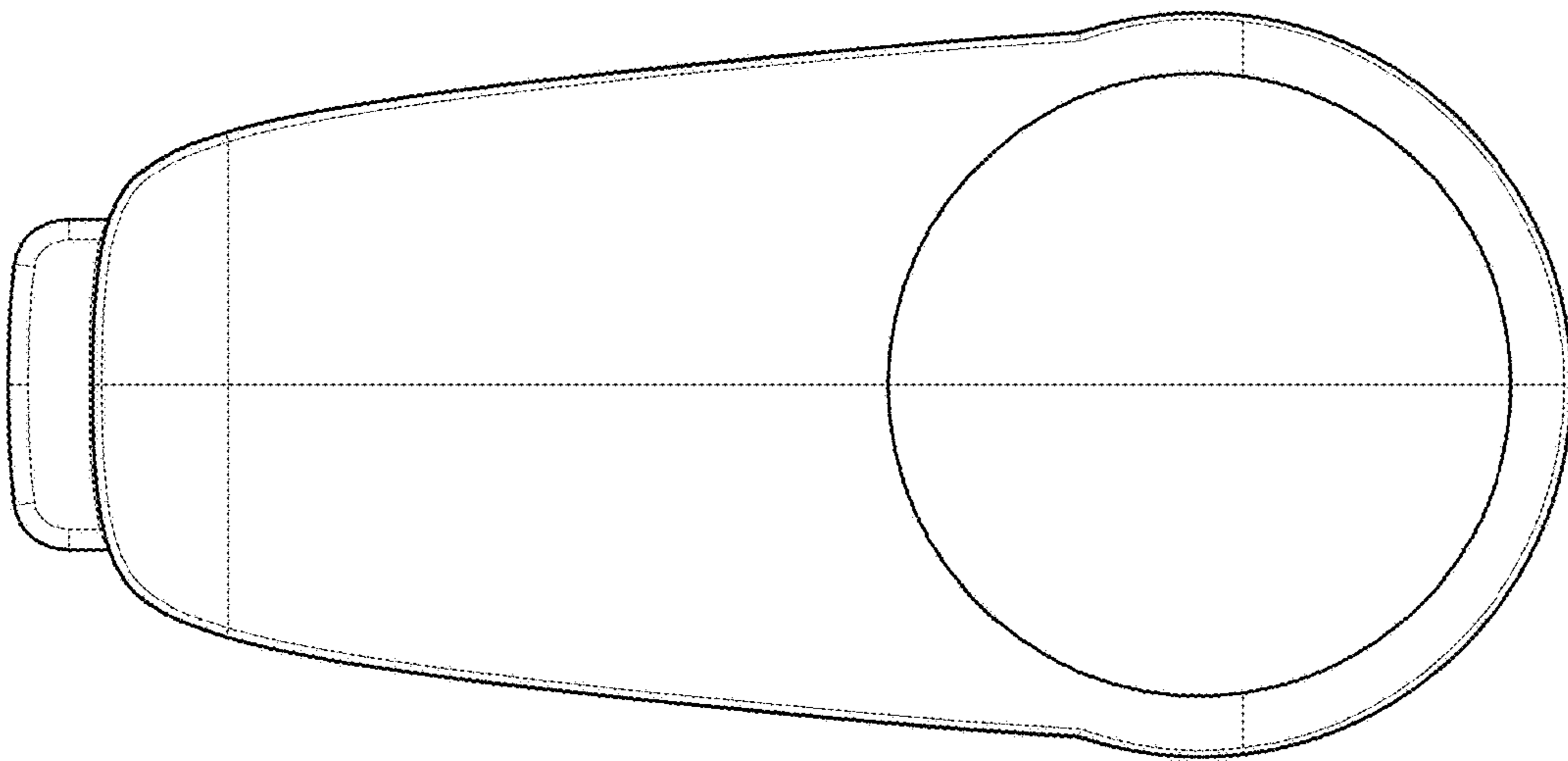


FIG. 7

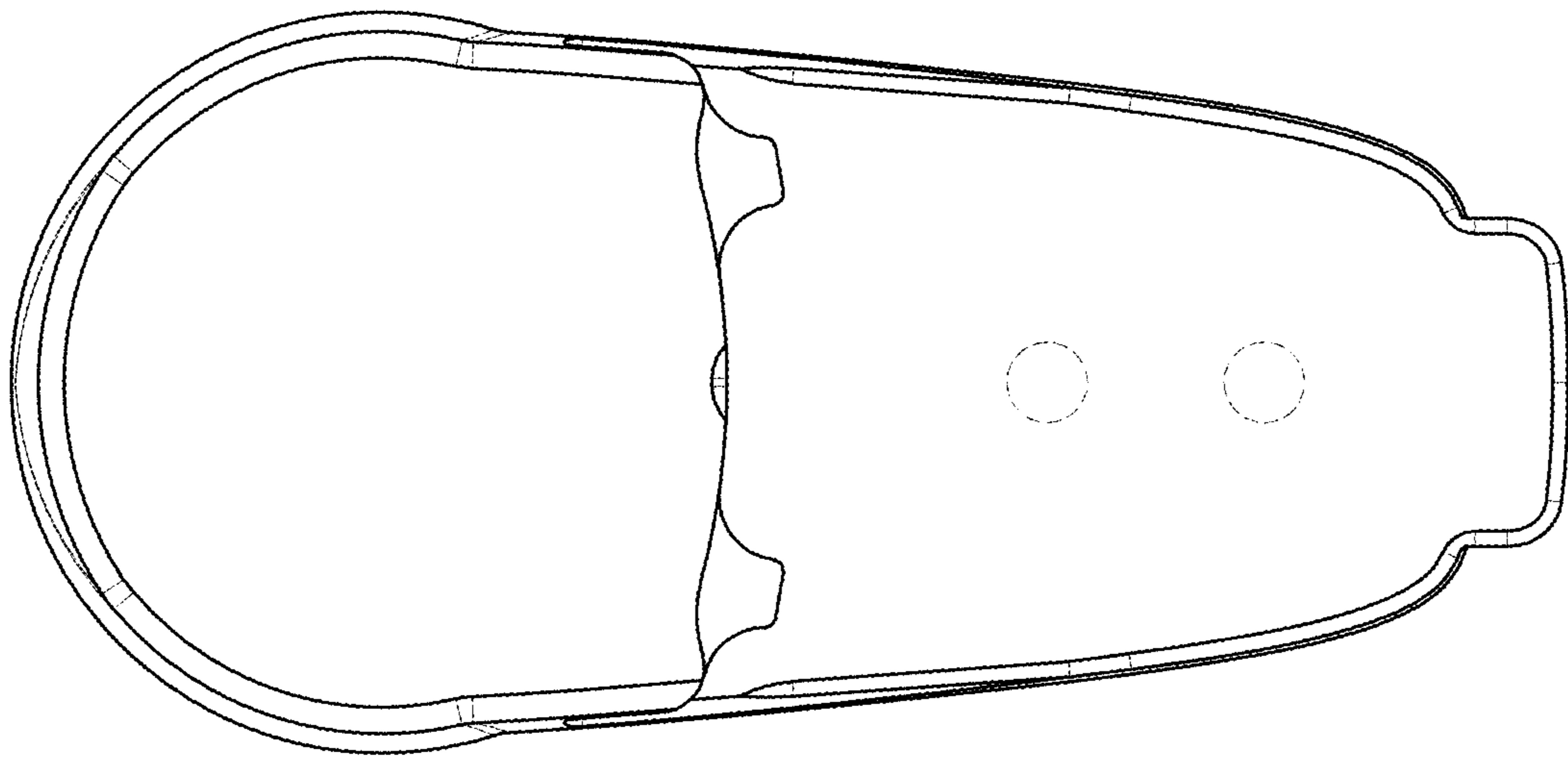


FIG. 8