



US00D794199S

(12) **United States Design Patent** (10) **Patent No.:** **US D794,199 S**
Mizumura et al. (45) **Date of Patent:** **** Aug. 8, 2017**

- (54) **X-RAY TUBE FOR MEDICAL USE** D223,220 S * 3/1972 Johnson et al. D24/158
- (71) Applicant: **Toshiba Electron Tubes & Devices** D290,500 S 6/1987 Makas et al.
- Co., Ltd., Otawara, Tochigi (JP)** 6,352,363 B1 3/2002 Munger et al.
- (72) Inventors: **Yuki Mizumura, Otawara (JP); Masaji** 7,016,472 B2 3/2006 Subraya et al.
- Kanagami, Utsunomiya (JP)** D671,217 S 11/2012 Moon et al.
- (73) Assignee: **Toshiba Electron Tubes & Devices** D702,351 S 4/2014 Li et al.
- Co., Ltd., Otawara, Tochigi (JP)** D726,920 S 4/2015 Ishihara
- D726,921 S 4/2015 Ishihara
- 2008/0187106 A1 8/2008 Grady
- 2008/0260105 A1 10/2008 Schaefer et al.
- 2008/0317210 A1 12/2008 Lu et al.
- 2009/0161830 A1 6/2009 Inazuru

(**) Term: **15 Years**

(21) Appl. No.: **29/575,319**

(22) Filed: **Aug. 24, 2016**

Related U.S. Application Data

(62) Division of application No. 29/537,934, filed on Aug. 31, 2015, now Pat. No. Des. 773,669.

(30) **Foreign Application Priority Data**

May 25, 2015 (JP) 2015-011403
May 25, 2015 (JP) 2015-011428

(51) **LOC (10) Cl.** **24-01**

(52) **U.S. Cl.**
USPC **D24/158**

(58) **Field of Classification Search**
USPC D24/158-161, 186, 107, 209, 210;
D13/180

CPC H05G 1/02; H05G 1/025; H05G 1/04;
H05G 1/06; H05G 1/10; H01J 2235/068;
H01J 35/025

See application file for complete search history.

(56) **References Cited**

U.S. PATENT DOCUMENTS

D176,113 S * 11/1955 Graves D24/158
D177,540 S * 4/1956 Waggoner D24/158

OTHER PUBLICATIONS

Jul. 21, 2016—(US) Election of Species—U.S. Appl. No. 29/537,934.

* cited by examiner

Primary Examiner — Anhdao Doan

(74) *Attorney, Agent, or Firm* — Banner & Witcoff, Ltd.

(57) **CLAIM**

The ornamental design for a x-ray tube for medical use, as shown and described.

DESCRIPTION

FIG. 1 is a perspective view of a x-ray tube for medical use showing our new design,

FIG. 2 is a front elevational view thereof,

FIG. 3 is a rear elevational view thereof,

FIG. 4 is a top plan view thereof,

FIG. 5 is a bottom plan view thereof,

FIG. 6 is a left side elevational view thereof; and,

FIG. 7 is a right side elevational view thereof.

The broken lines illustrate portions of the x-ray tube for medical use that form no part of the claimed design. The broken lines form no part of the claimed design.

1 Claim, 4 Drawing Sheets

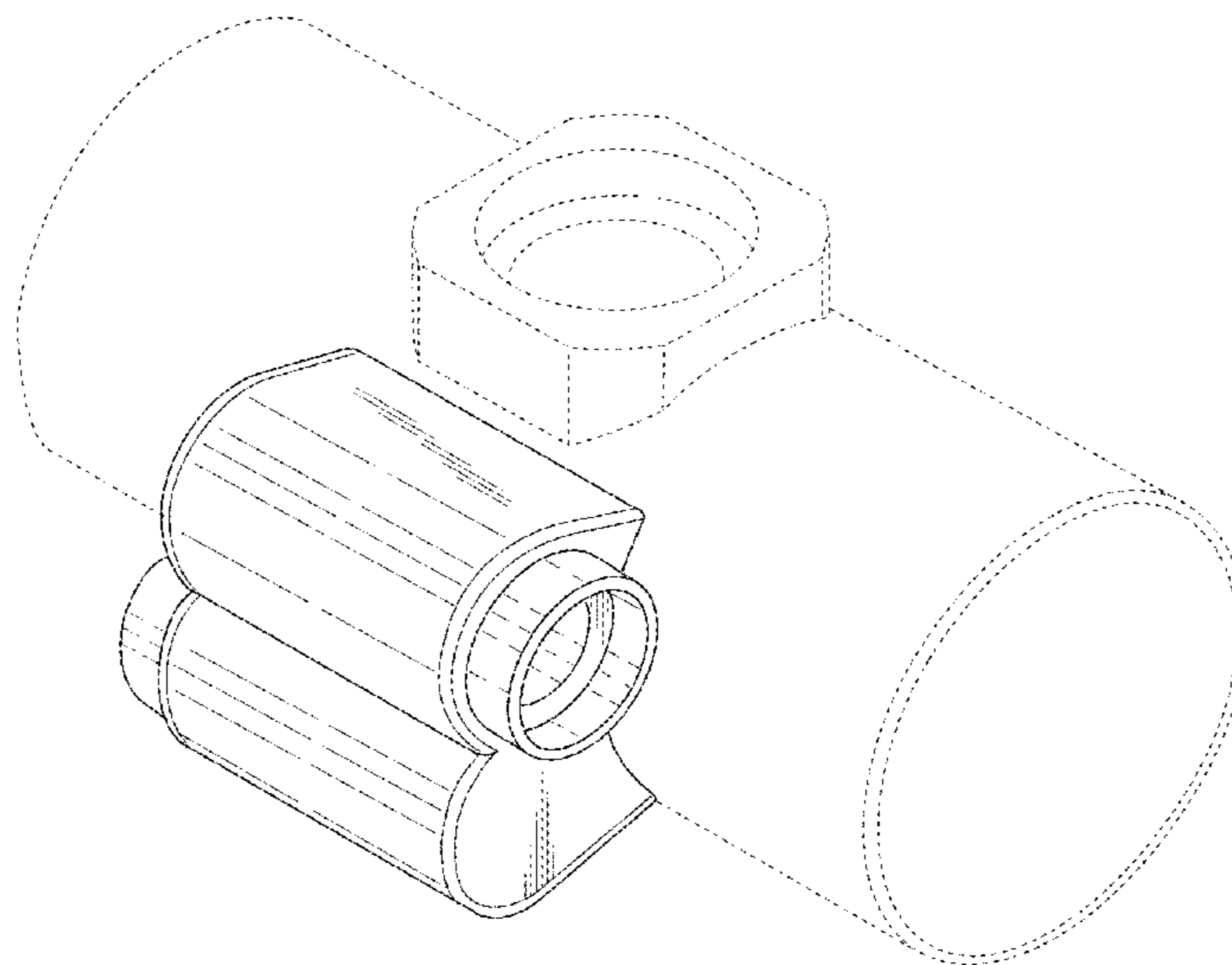


Fig. 1

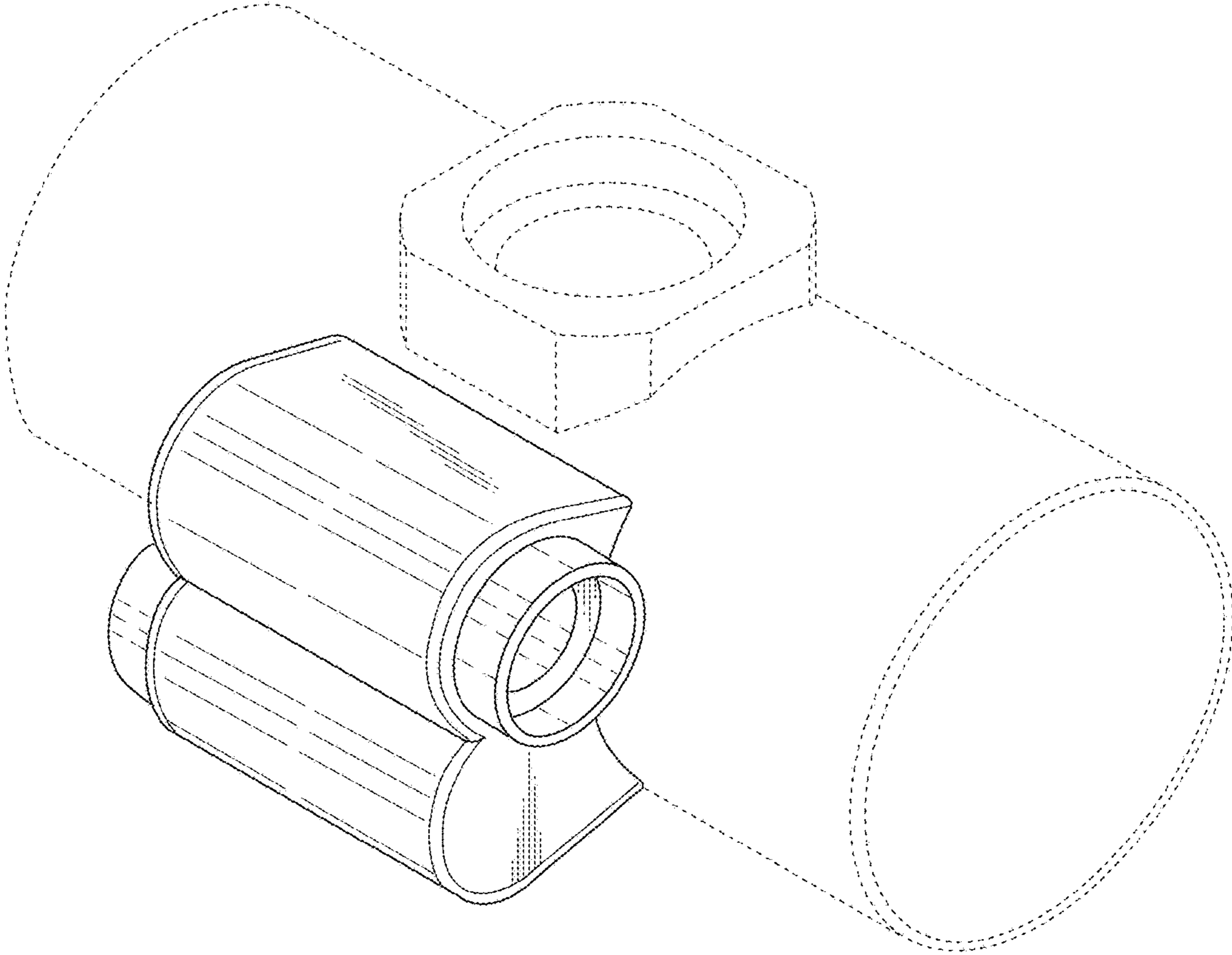


Fig. 2

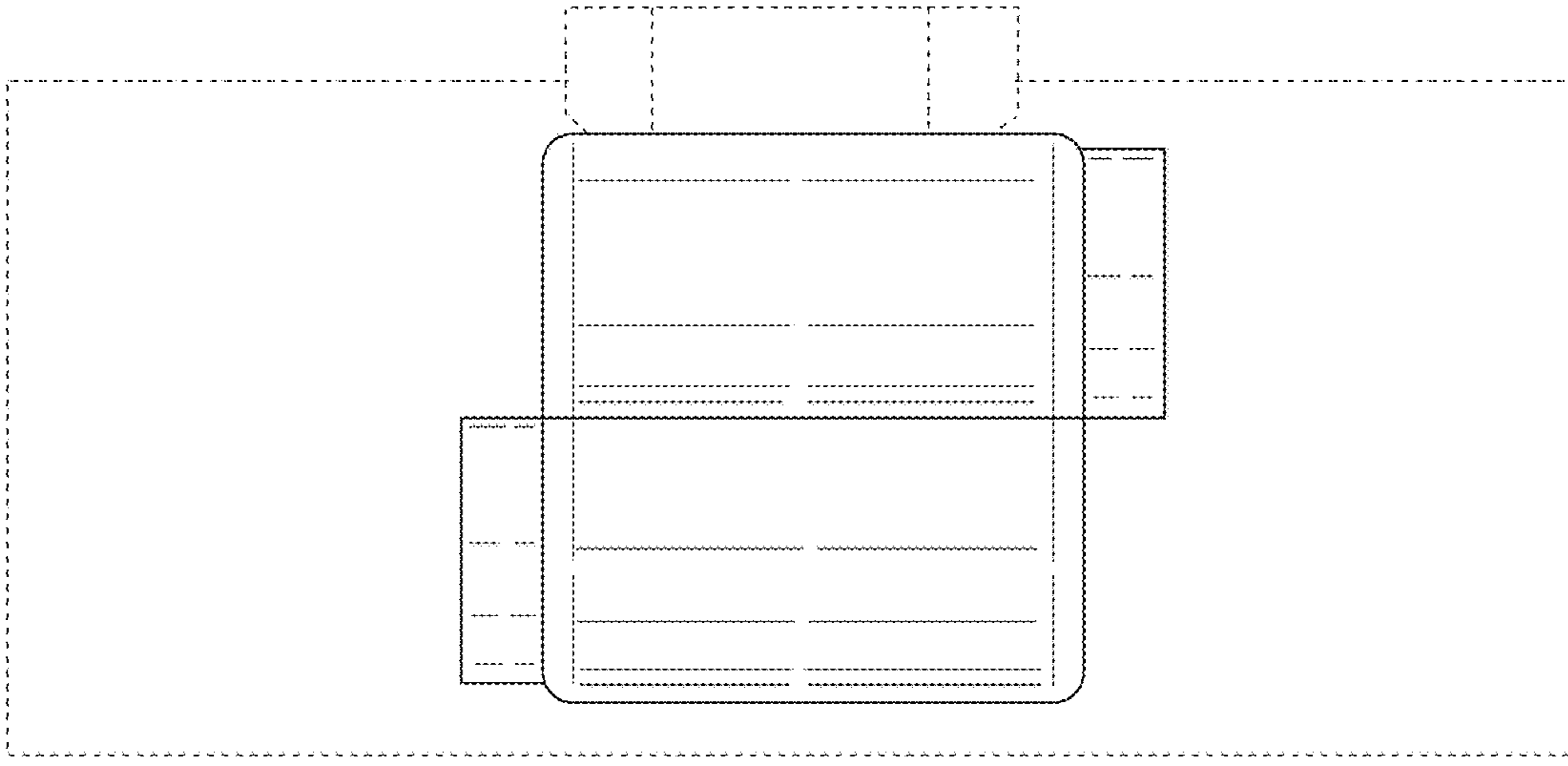


Fig. 3

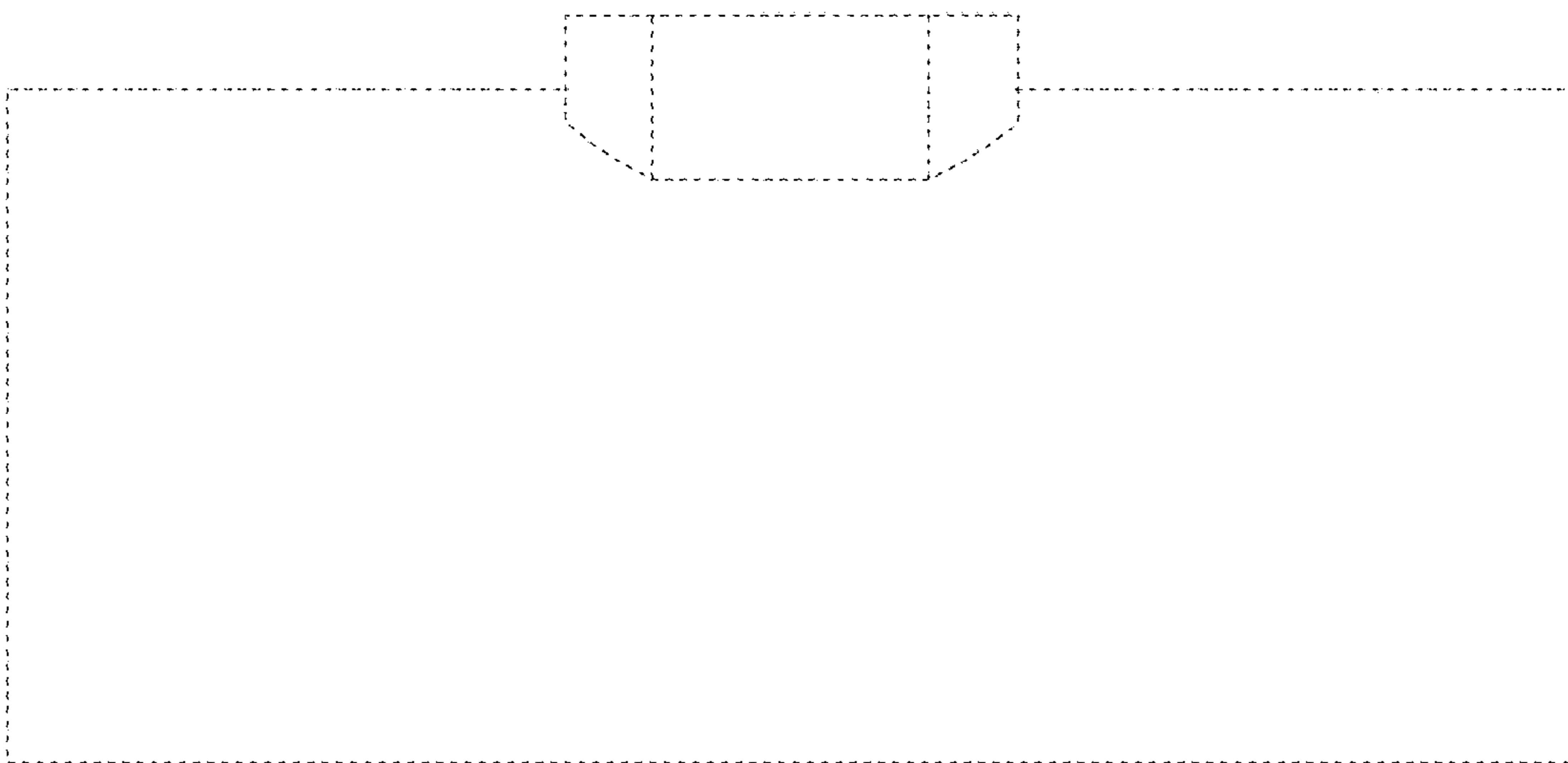


Fig. 4

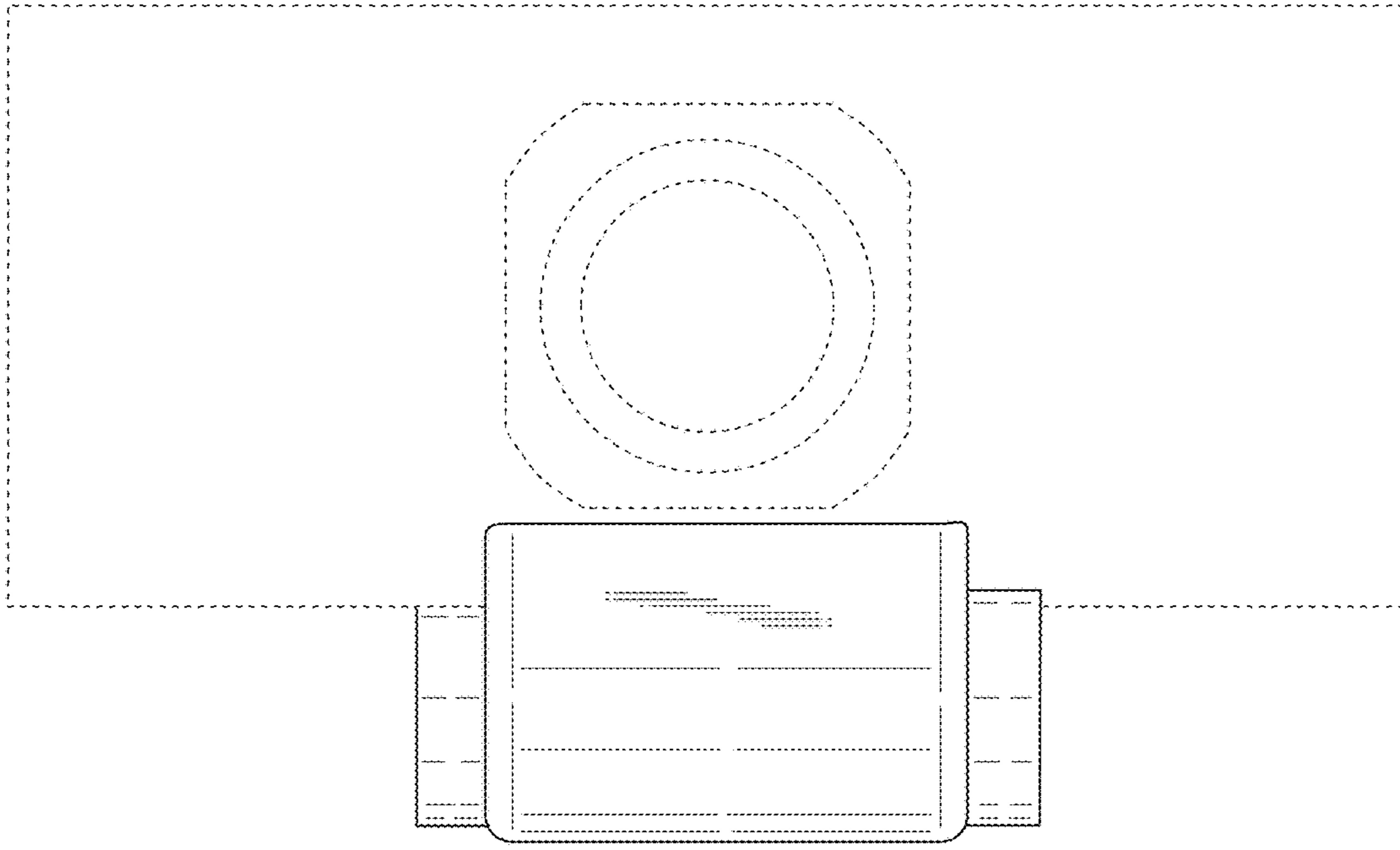


Fig. 5

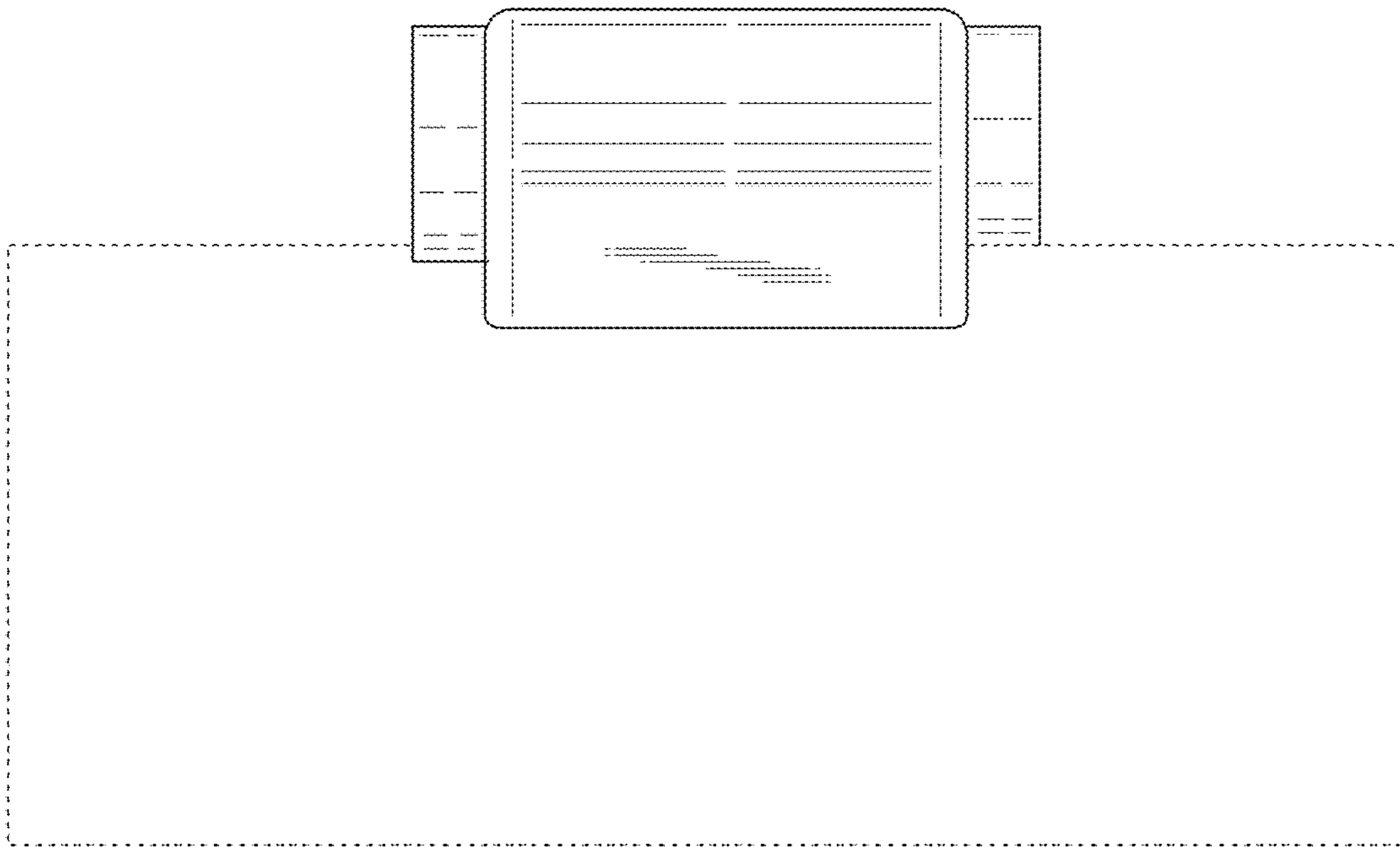


Fig. 6

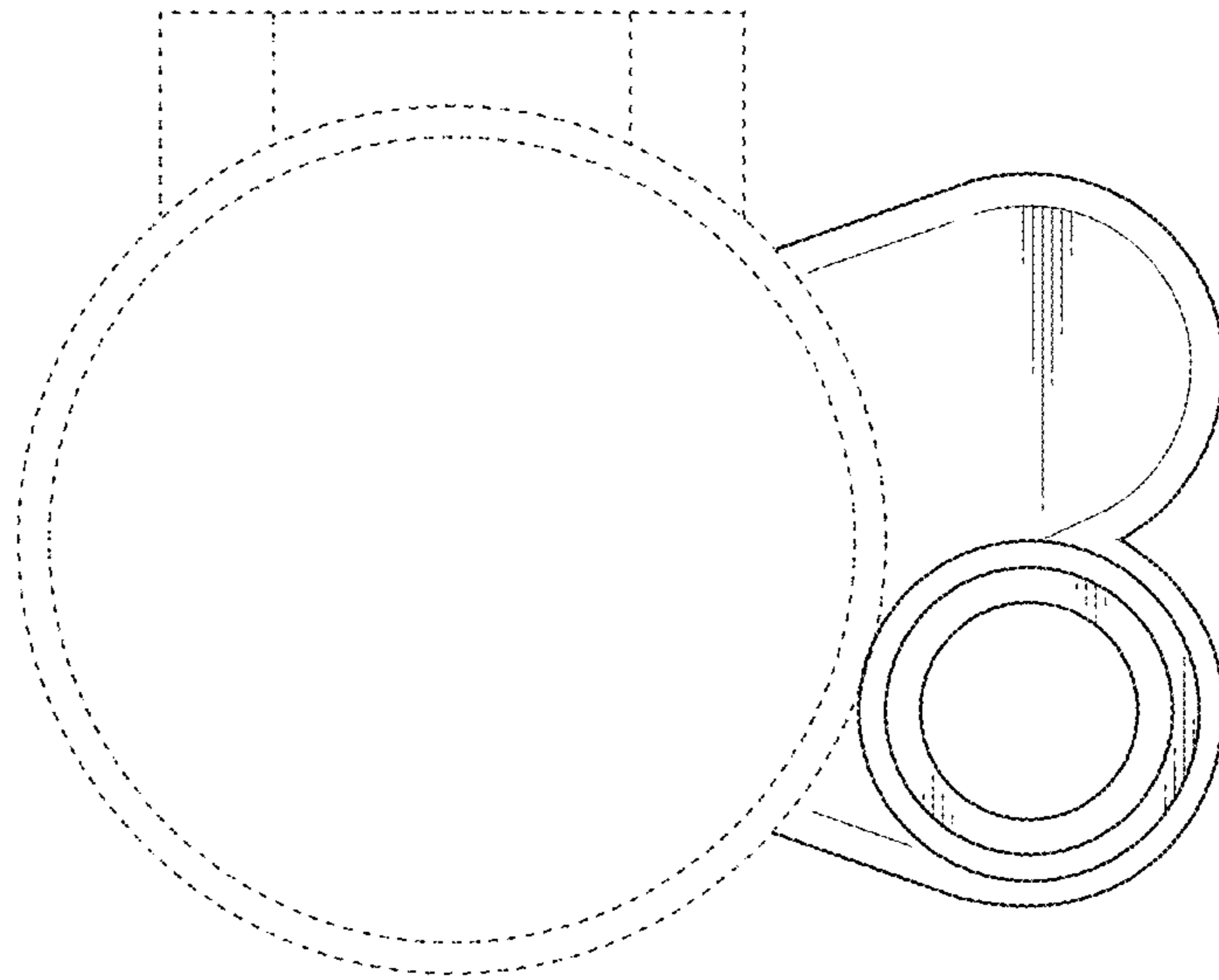


Fig. 7

