

US00D794197S

(12) **United States Design Patent** (10) **Patent No.:** **US D794,197 S**  
**Powell et al.** (45) **Date of Patent:** **\*\* Aug. 8, 2017**

(54) **MICRO-EXFOLIATION ROLLER**

FOREIGN PATENT DOCUMENTS

(71) Applicant: **RODAN & FIELDS, LLC**, San Francisco, CA (US)

CN 203989456 U 12/2014  
KR 20090060116 A 6/2009

(Continued)

(72) Inventors: **Steven D. Powell**, Provo, UT (US);  
**Joshua David Nelson**, Hollister, CA (US)

OTHER PUBLICATIONS

(73) Assignee: **Rodan & Fields, LLC**, San Francisco, CA (US)

TOUCHBeauty Face Massage Roller for Skin Care derma roller facial and boy Health Care Relaxation Tools TB-0888, [https://www.aliexpress.com/item/TOUCHBeauty-magnetic-massage-health-care-beauty-tools-relaxation-photon-skin-treater-improve-tightens-skin/2045856554.html?spm=2114.01010208.3.56.ddskO98&ws\\_ab\\_test=searchweb0\\_0,searchweb201602\\_3\\_10065\\_10068\\_10501\\_10000074\\_10503\\_10000032\\_119\\_10000025\\_10000029\\_430\\_10000028\\_10060\\_10000067\\_10062\\_10056\\_10055\\_10000062\\_10054\\_10059\\_10099\\_10000022\\_10000013\\_10103\\_10102\\_10000016\\_10096\\_10000018\\_10000019\\_10000056\\_10000059\\_10052\\_10053\\_10107\\_10050\\_10106\\_10051\\_10000053\\_10000007\\_10000050\\_10084\\_10083\\_10000047\\_10080\\_10082\\_10081\\_10110\\_10111\\_10112\\_10113\\_10114\\_10115\\_10000041\\_10000044\\_10078\\_10079\\_10000038\\_429\\_10073\\_10000035\\_10121-10503\\_10102\\_10501,searchweb201603\\_3,afswitch\\_2,single\\_sort\\_3\\_default&btsid=16357350-2194-4a1b-87a4-f58bcf2c8750](https://www.aliexpress.com/item/TOUCHBeauty-magnetic-massage-health-care-beauty-tools-relaxation-photon-skin-treater-improve-tightens-skin/2045856554.html?spm=2114.01010208.3.56.ddskO98&ws_ab_test=searchweb0_0,searchweb201602_3_10065_10068_10501_10000074_10503_10000032_119_10000025_10000029_430_10000028_10060_10000067_10062_10056_10055_10000062_10054_10059_10099_10000022_10000013_10103_10102_10000016_10096_10000018_10000019_10000056_10000059_10052_10053_10107_10050_10106_10051_10000053_10000007_10000050_10084_10083_10000047_10080_10082_10081_10110_10111_10112_10113_10114_10115_10000041_10000044_10078_10079_10000038_429_10073_10000035_10121-10503_10102_10501,searchweb201603_3,afswitch_2,single_sort_3_default&btsid=16357350-2194-4a1b-87a4-f58bcf2c8750)

(Continued)

(\*\*) Term: **15 Years**

(21) Appl. No.: **29/594,072**

(22) Filed: **Feb. 15, 2017**

(51) **LOC (10) Cl.** ..... **24-02**

(52) **U.S. Cl.**  
USPC ..... **D24/147; D24/133; D24/130; D28/9**

(58) **Field of Classification Search**  
USPC ..... **D24/231, 127, 151, 148-149, 113-115, D24/108, 133, 214-215, 146-147, 112; D28/7, 9, 44, 57, 59, 62; D7/669, 682, D7/697**  
CPC ..... **A61M 5/3287; A61M 5/3289; A61M 5/3295-5/3298**

See application file for complete search history.

*Primary Examiner* — Jennifer Rivard

(74) *Attorney, Agent, or Firm* — Pepper Hamilton LLP

(56) **References Cited**

U.S. PATENT DOCUMENTS

- D352,130 S \* 11/1994 Zierhut ..... 401/208
- D481,268 S \* 10/2003 Hibbert ..... D7/669
- D549,834 S \* 8/2007 Huang ..... D24/211
- D637,727 S \* 5/2011 Kurosu ..... D24/211
- D725,262 S \* 3/2015 Chowdhury ..... D24/130
- D738,517 S \* 9/2015 Karim ..... D24/200
- 2008/0161735 A1 \* 7/2008 Lee ..... A61H 15/0092  
601/125
- 2010/0262081 A1 \* 10/2010 Lee ..... A61M 37/0015  
604/173
- 2011/0040236 A1 \* 2/2011 Isaacs ..... A61L 2/025  
604/20
- 2013/0150826 A1 \* 6/2013 Almohizea ..... A61M 5/00  
604/506

(Continued)

(57) **CLAIM**

The ornamental design for a micro-exfoliating roller, as shown and described.

**DESCRIPTION**

FIG. 1 is a perspective view of an embodiment of the invention.  
FIG. 2 is a front view of an embodiment of the invention.  
FIG. 3 is a right profile view of an embodiment of the invention.  
FIG. 4 is a top view of an embodiment of the invention.  
FIG. 5 is a bottom view of an embodiment of the invention; and,

(Continued)

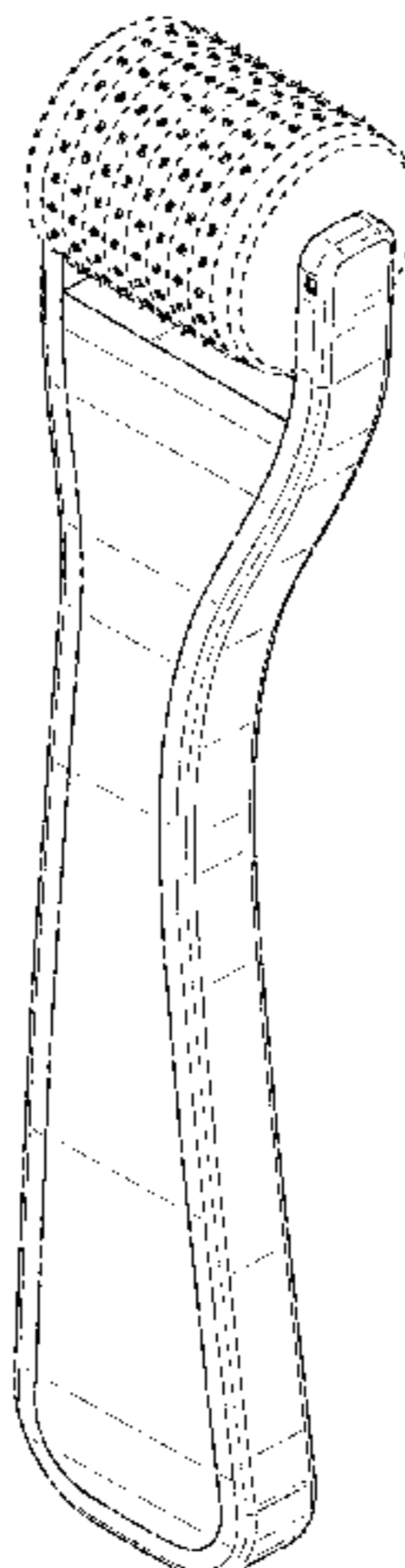


FIG. 6 is another perspective view of an embodiment of the invention.

The broken lines illustrate a portion of the micro-exfoliation roller and form no part of the claimed design.

**1 Claim, 5 Drawing Sheets**

(56)

**References Cited**

U.S. PATENT DOCUMENTS

2017/0049971 A1\* 2/2017 Banar ..... A61H 15/0092

FOREIGN PATENT DOCUMENTS

WO WO 2011/005894 A1 1/2011  
 WO WO 2013/076715 A1 5/2013

OTHER PUBLICATIONS

Avanza TDS Derma Roller, <http://avanza-int.com/avanza-tds-derma-roller.html>.  
 DRS Body Derma Roller 400 pins, <https://dermarolleronlinestore.com/product/body-derma-roller-400-pins-titanium/>.  
 DRS Derma Roller-600 [http://www.dermarollerorder.com/index.php?main\\_page=product\\_free\\_shipping\\_info&cPath=45&products\\_id=141&zenid=883a70525bac36ffeb21560f779d101d](http://www.dermarollerorder.com/index.php?main_page=product_free_shipping_info&cPath=45&products_id=141&zenid=883a70525bac36ffeb21560f779d101d).  
 DRS Derma Roller-1200 [http://www.dermarollerorder.com/index.php?main\\_page=product\\_free\\_shipping\\_info&cPath=45&products\\_id=142](http://www.dermarollerorder.com/index.php?main_page=product_free_shipping_info&cPath=45&products_id=142).  
 Vanari, Kate, Blog, Best Derma Roller Brand, <http://www.dermarollershop.com/blog/best-derma-roller-brand/>.

Diva d'or Skin Care Products Description, <http://www.diva-dor.com/products.html>.  
 Derma Roller Diva d'or Titanium Micro Needle Roller 540 Needles Best Skin DermaRoller for Body and Face, [https://www.alibaba.com/product-detail/Denna-Roller-Diva-d-or-Titanium\\_60196710882.html](https://www.alibaba.com/product-detail/Denna-Roller-Diva-d-or-Titanium_60196710882.html).  
 Derma Roller DTS, <http://www.beautyever.pl/pl/p/DERMA-ROLLER-DTS-do-ciala-1%2C00-mm/243>.  
 Professional 1200—2.00MM Needle Derma Roller & Micro Needling Therapy System—for Body Scars & Wrinkles, [http://www.flawlessbeautyandskin.com/Professional-1200-200mm-Needle-Derma-Roller-Micro-Needling-Therapy-System-For-Body-Scars-Wrinkles\\_p\\_507.html#tab-1](http://www.flawlessbeautyandskin.com/Professional-1200-200mm-Needle-Derma-Roller-Micro-Needling-Therapy-System-For-Body-Scars-Wrinkles_p_507.html#tab-1).  
 Derma roller kit with interchangeable roller(180 needles head/600 needles head/1200 needles head) <http://www.gzekai.com/cp/html/?21.html>.  
 DERMAROLLER Factory Supply <http://ibeautymachine.com/media/wysiwyg/Dermaroller-20factory.jpg>.  
 ZGTS Derma Roller, Titanium needle roller, 192 Needle, Professional DERMAROLLER for Medical skin needling, <http://www.ibeautymachine.com/derma-roller-with-integrated-sealed-wheel-design-192-needle-en.html>.  
 DNS Derma Roller, Titanium Nitride Coated, Professional needling roller, 200 needle <http://www.ibeautymachine.com/titanium-derma-roller-200-needle.html>.  
 DRS Micro Derma Roller, Exchangeable Roller Head, Cost Saving, 600 Needle, Best Home microneedling roller, <http://www.ibeautymachine.com/derma-roller-600-needle-en.html>.  
 MT Micro needle Roller, Integrated Roller Wheel Design, Highest hygiene standard, 200 Needle, professional skin needling, <http://www.ibeautymachine.com/derma-roller-with-integrated-sealed-wheel-design-540-needle.html>.  
 Body Roller® XL—For body, <https://www.whiteone.com/en/product/body-roller-x12>.

\* cited by examiner

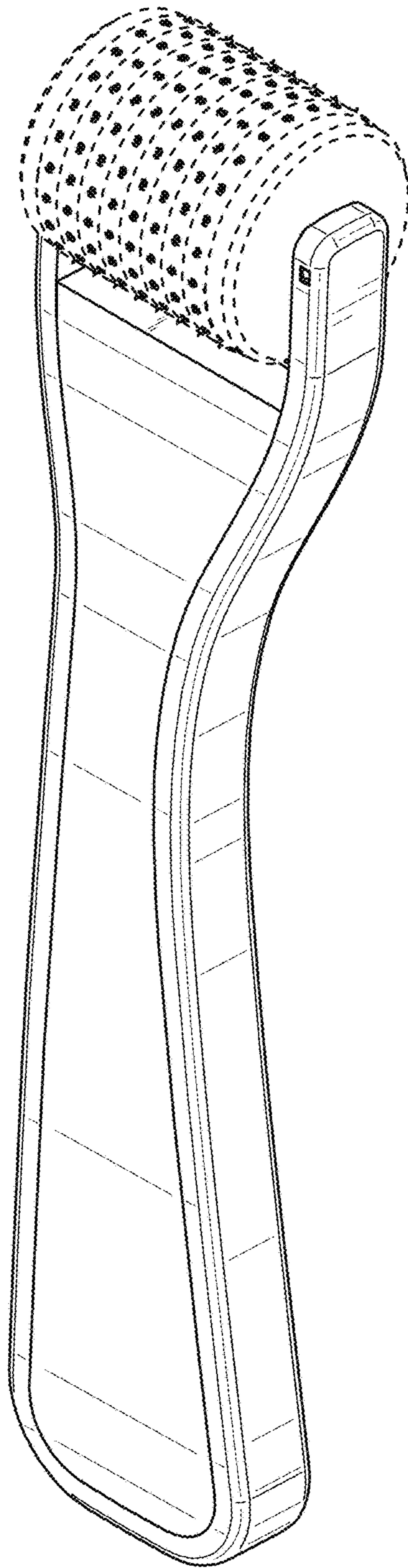


FIG. 1



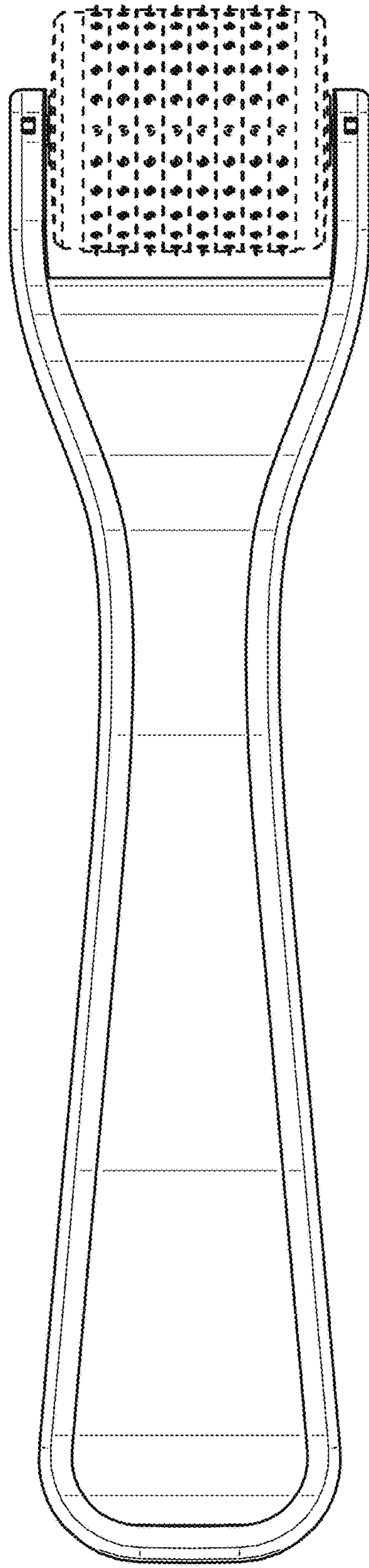


FIG. 2

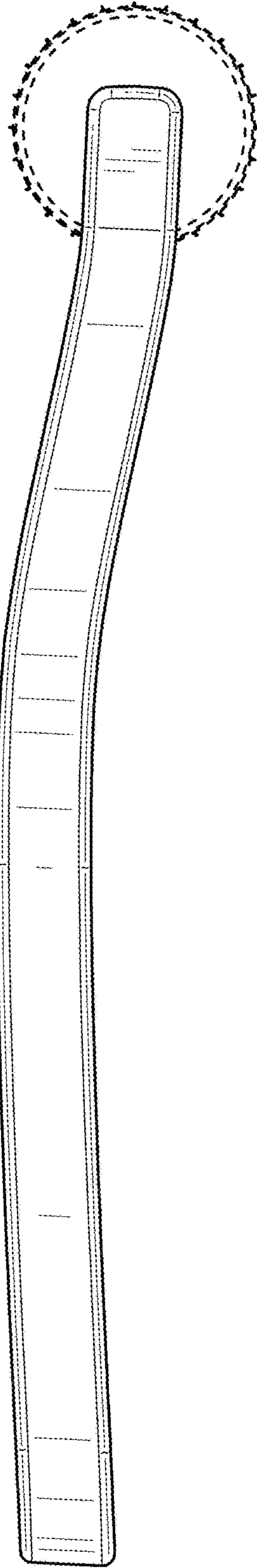


FIG. 3

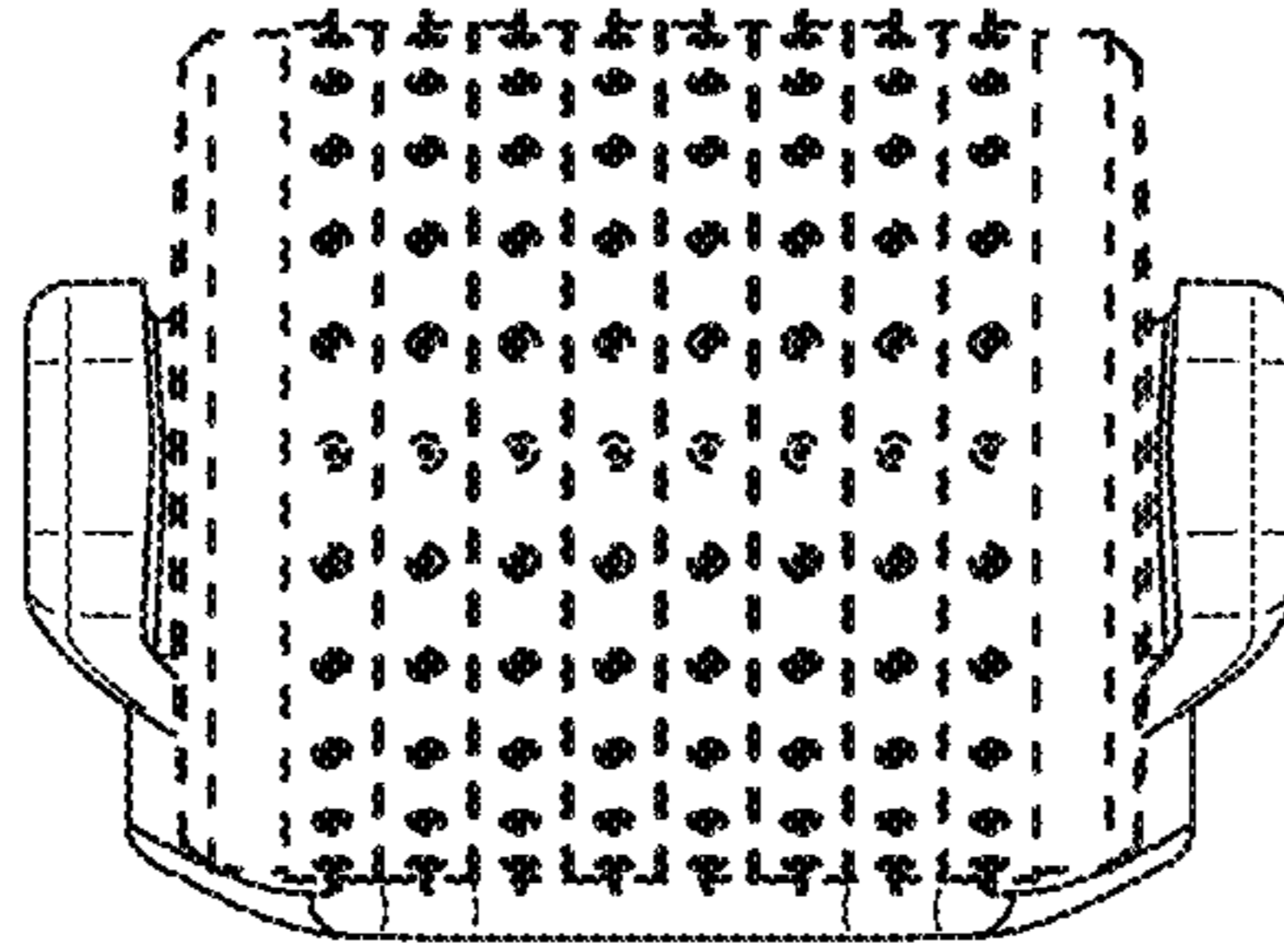


FIG. 4

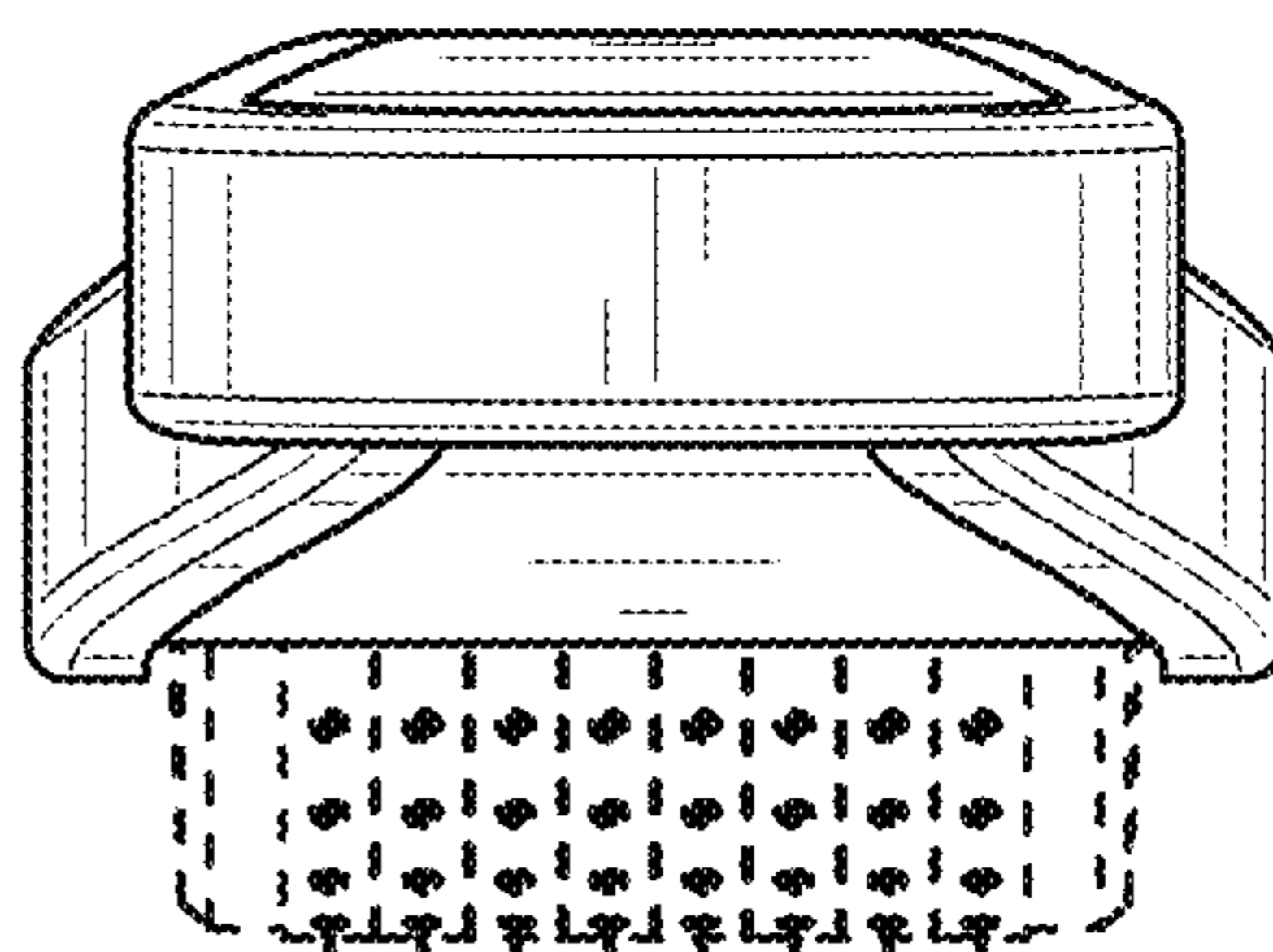


FIG. 5

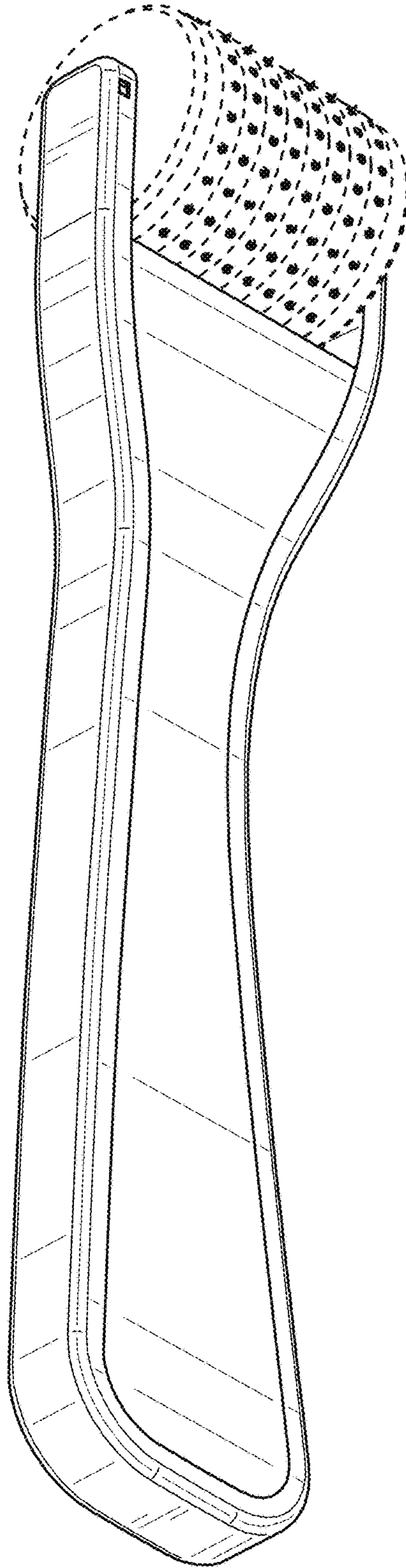


FIG. 6