



US00D794196S

(12) **United States Design Patent** (10) **Patent No.:** **US D794,196 S**
Russell et al. (45) **Date of Patent:** **** Aug. 8, 2017**

(54) **DRILL WITH MEASUREMENT SYSTEM INSERT**

(71) Applicant: **McGinley Engineered Solutions, LLC**, Casper, WY (US)

(72) Inventors: **Matthew V. Russell**, Casper, WY (US); **Joseph C. McGinley**, Casper, WY (US)

(73) Assignee: **McGinley Engineered Solutions, LLC**, Casper, WY (US)

(**) Term: **15 Years**

(21) Appl. No.: **29/553,652**

(22) Filed: **Feb. 3, 2016**

(51) **LOC (10) Cl.** **24-02**

(52) **U.S. Cl.**
USPC **D24/146**

(58) **Field of Classification Search**
USPC D24/146, 147, 145, 133; D8/68, 83; 606/178, 172, 170, 177, 176, 79-85, 104
CPC . A61B 17/1671; A61B 17/154; A61B 17/155; A61B 17/157; A61B 17/158; A61B 17/16; A61B 17/1637; A61B 17/1626; A61B 2017/1602; A61B 90/06; A61B 2090/062; A61F 2/4455; B23B 49/00; B23B 2260/128; Y10T 408/16; Y10T 408/21

See application file for complete search history.

(56) **References Cited**

U.S. PATENT DOCUMENTS

- 4,310,269 A * 1/1982 Neu B23B 47/32 408/10
4,329,095 A * 5/1982 Schmuck B23B 49/006 408/112
4,710,075 A * 12/1987 Davison A61B 17/16 33/512

- D331,464 S * 12/1992 Rosenberg D24/147
D332,492 S * 1/1993 Rosenberg D15/139
D364,463 S * 11/1995 Pitzen D24/146
D439,334 S * 3/2001 Hershberger D24/133
6,665,948 B1 * 12/2003 Kozin A61B 17/1626 175/45
7,491,203 B2 * 2/2009 Harris, Jr. A61B 17/1617 606/80
D599,906 S * 9/2009 Petersen D24/146
7,607,238 B2 * 10/2009 Kim G01B 3/28 33/512
D644,327 S * 8/2011 Singh D15/139
D656,611 S * 3/2012 Garcia D15/139

(Continued)

Primary Examiner — Mark Goodwin

(74) *Attorney, Agent, or Firm* — Marsh Fischmann & Breyfogle LLP

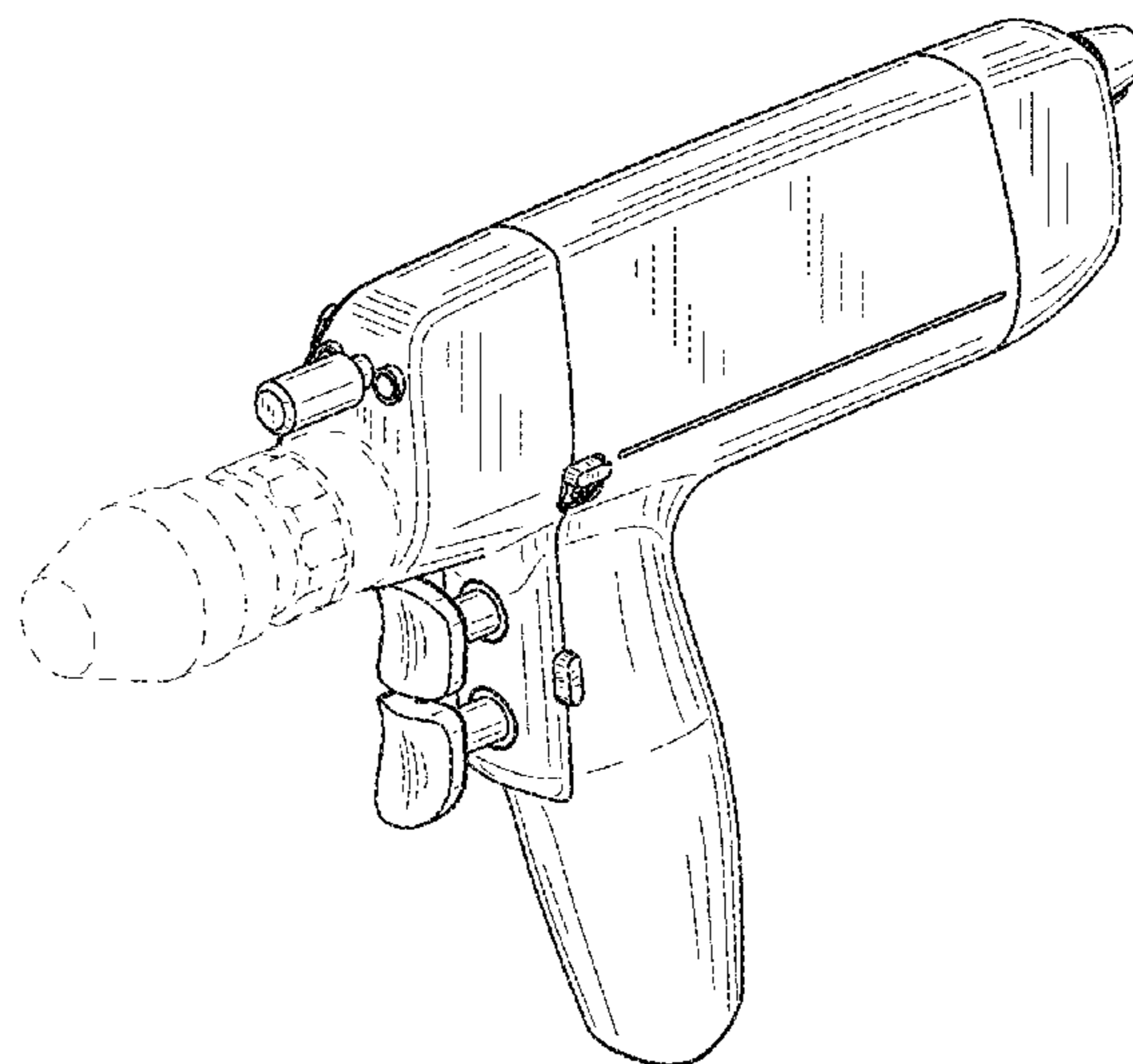
(57) **CLAIM**

The ornamental design for a drill with measurement system insert, as shown and described.

DESCRIPTION

FIG. 1 is a perspective view of a drill with measurement system insert;
FIG. 2 is a left side view of the drill with measurement system insert of FIG. 1;
FIG. 3 is a right side view of the drill with measurement system insert of FIG. 1;
FIG. 4 is a front view of the drill with measurement system insert of FIG. 1;
FIG. 5 is a rear view of the drill with measurement system insert of FIG. 1;
FIG. 6 is a top view of the drill with measurement system insert of FIG. 1; and,
FIG. 7 is a bottom view of the drill with measurement system insert of FIG. 1.
The broken lines in the drawing indicate environmental structure and form no part of the design to be patented.

1 Claim, 5 Drawing Sheets



(56)

References Cited

U.S. PATENT DOCUMENTS

8,821,493 B2 * 9/2014 Anderson A61B 17/1624
606/167
8,894,654 B2 * 11/2014 Anderson A61B 17/1626
173/176
8,936,470 B2 * 1/2015 Pruckner A61B 17/16
318/6
9,186,156 B2 * 11/2015 Xie A61B 17/162
9,204,885 B2 * 12/2015 McGinley A61B 17/16
D759,244 S * 6/2016 Leugers D24/146
D759,245 S * 6/2016 Leugers D24/146
2015/0066038 A1 * 3/2015 McGinley A61B 17/16
606/80
2015/0141999 A1 * 5/2015 McGinley A61B 17/15
606/82
2016/0128704 A1 * 5/2016 McGinley A61B 17/15
606/80

* cited by examiner

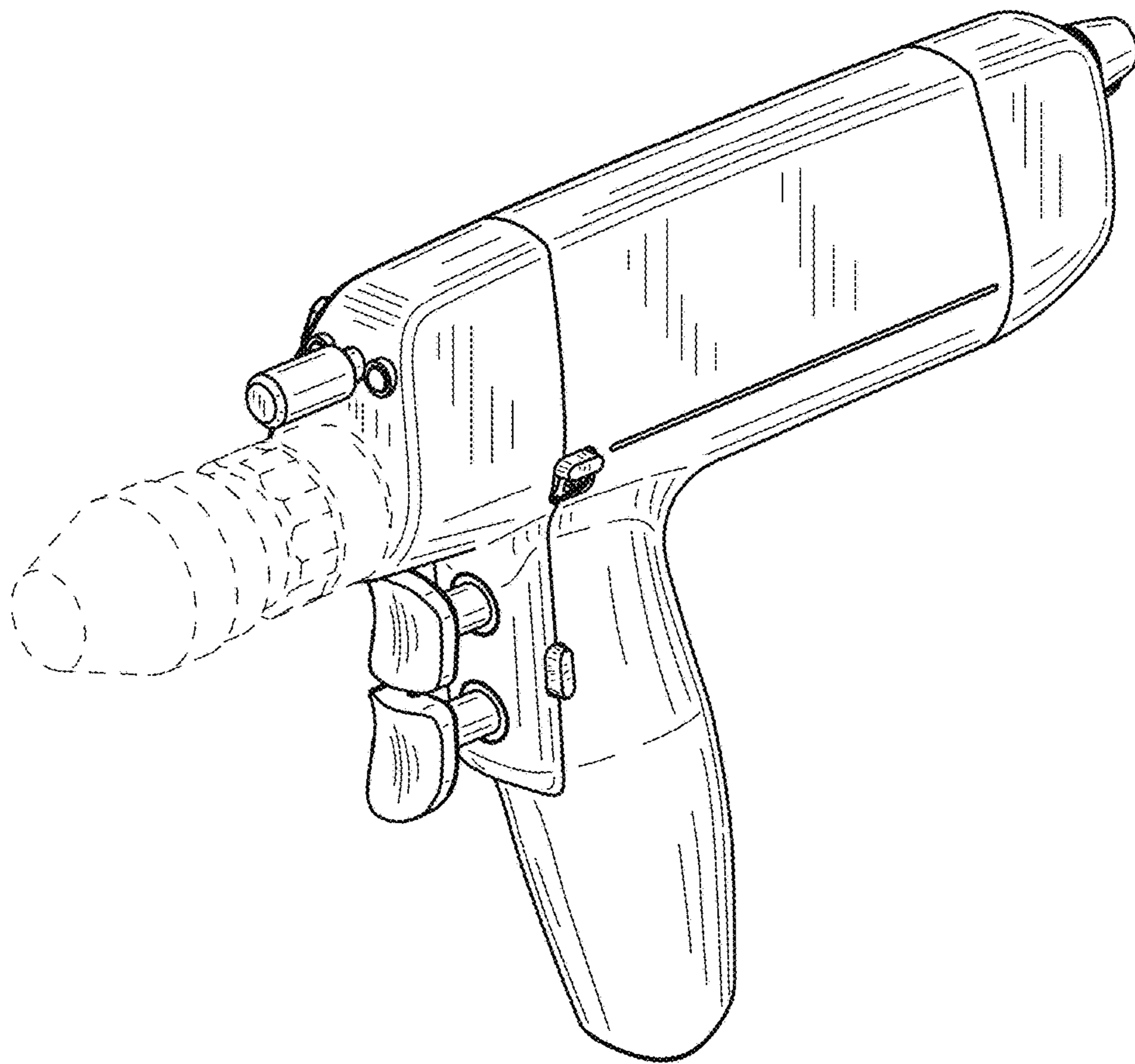


FIG.1

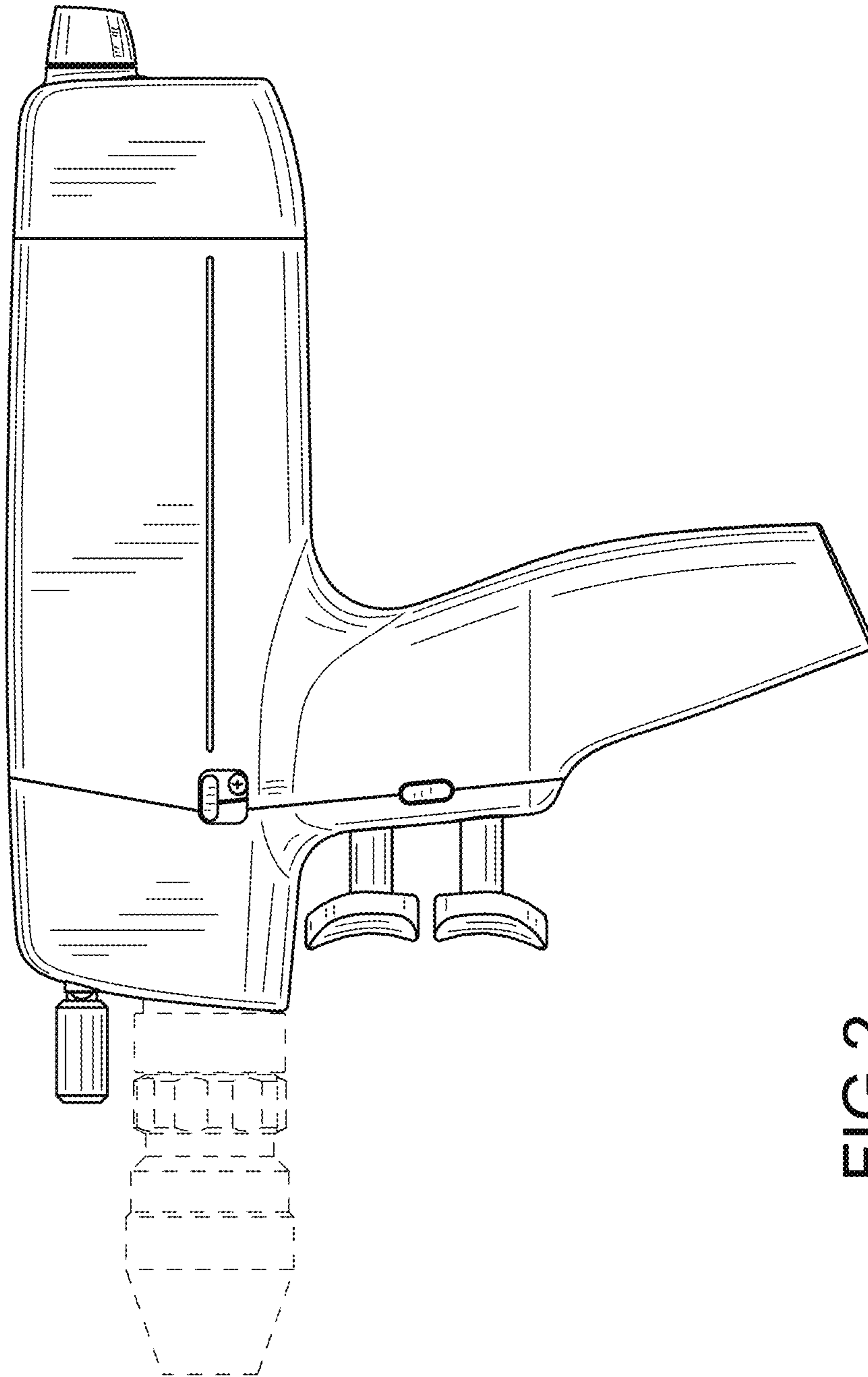


FIG.2

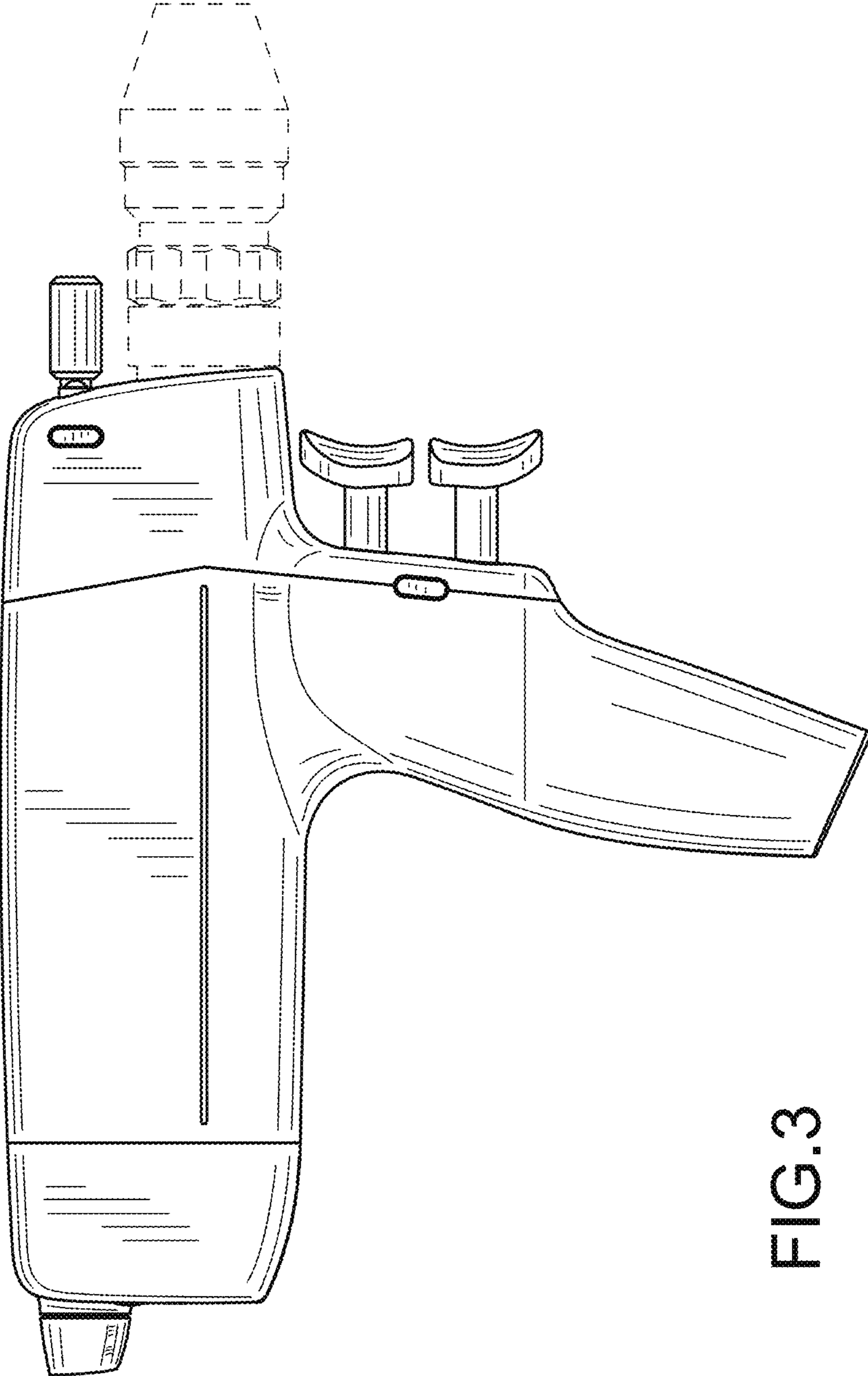


FIG.3

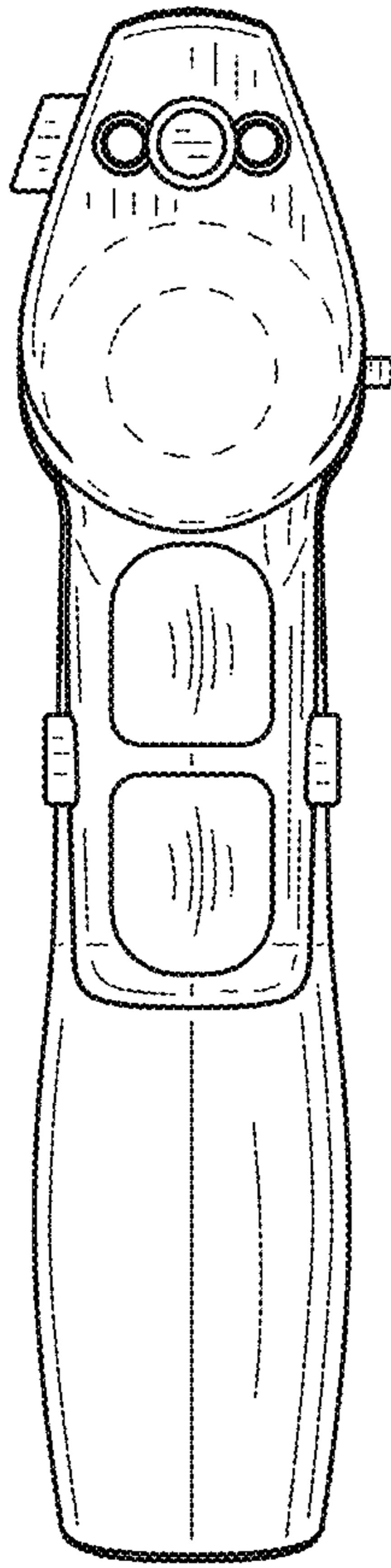


FIG.4

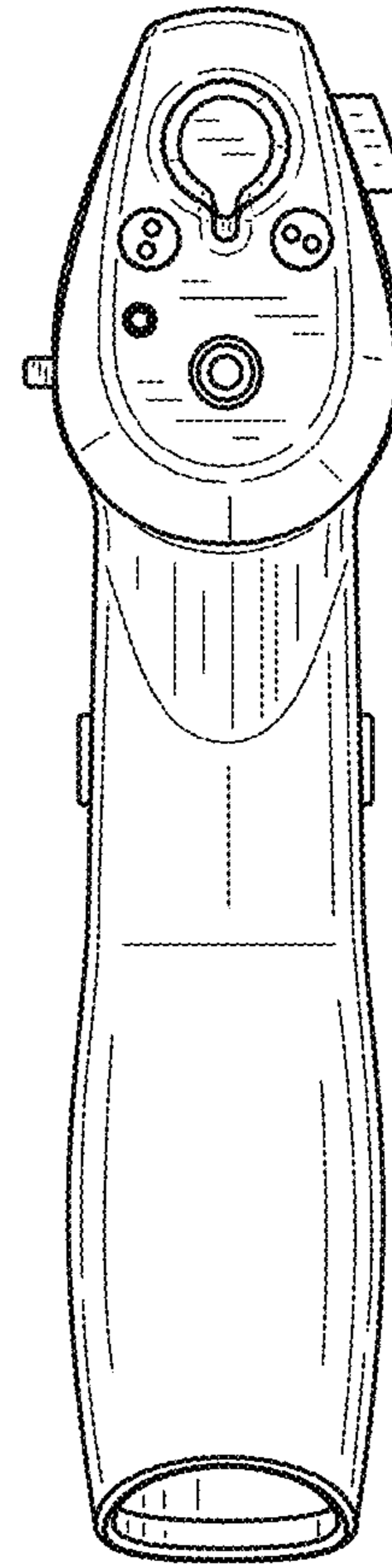


FIG.5

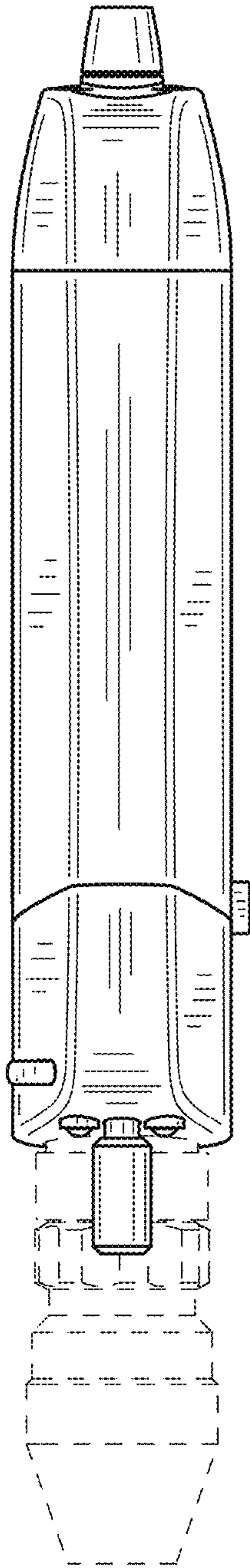


FIG. 6

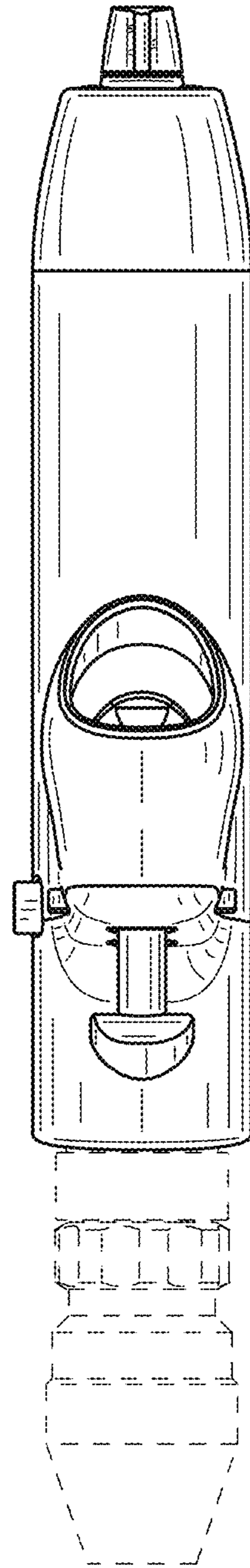


FIG. 7