



US00D794195S

(12) **United States Design Patent** (10) **Patent No.:** **US D794,195 S**  
**Khaw** (45) **Date of Patent:** **\*\* Aug. 8, 2017**

(54) **PUNCH**  
(71) Applicant: **UCL Business PLC**, London (GB)  
(72) Inventor: **Peng Tee Khaw**, London (GB)  
(73) Assignee: **UCL Business PLC**, London (GB)  
(\*\*) Term: **15 Years**  
(21) Appl. No.: **29/536,799**  
(22) Filed: **Aug. 19, 2015**  
(30) **Foreign Application Priority Data**  
Feb. 25, 2015 (GB) ..... 4039840  
(51) **LOC (10) Cl.** ..... **24-02**  
(52) **U.S. Cl.**  
USPC ..... **D24/146**  
(58) **Field of Classification Search**  
USPC ..... D24/130, 133, 146, 147, 148, 110.6,  
D24/112-121, 127, 131, 152; 606/107,  
606/162  
CPC ..... A61F 9/00709; A61F 9/007  
See application file for complete search history.

(56) **References Cited**  
U.S. PATENT DOCUMENTS  
D610,259 S \* 2/2010 Way ..... D24/133  
D621,939 S \* 8/2010 Way ..... D24/133  
D635,671 S \* 4/2011 Way ..... D24/133  
D642,682 S \* 8/2011 Chaudhary ..... A61B 17/3211  
D24/147  
D730,519 S \* 5/2015 Arnett ..... D24/146

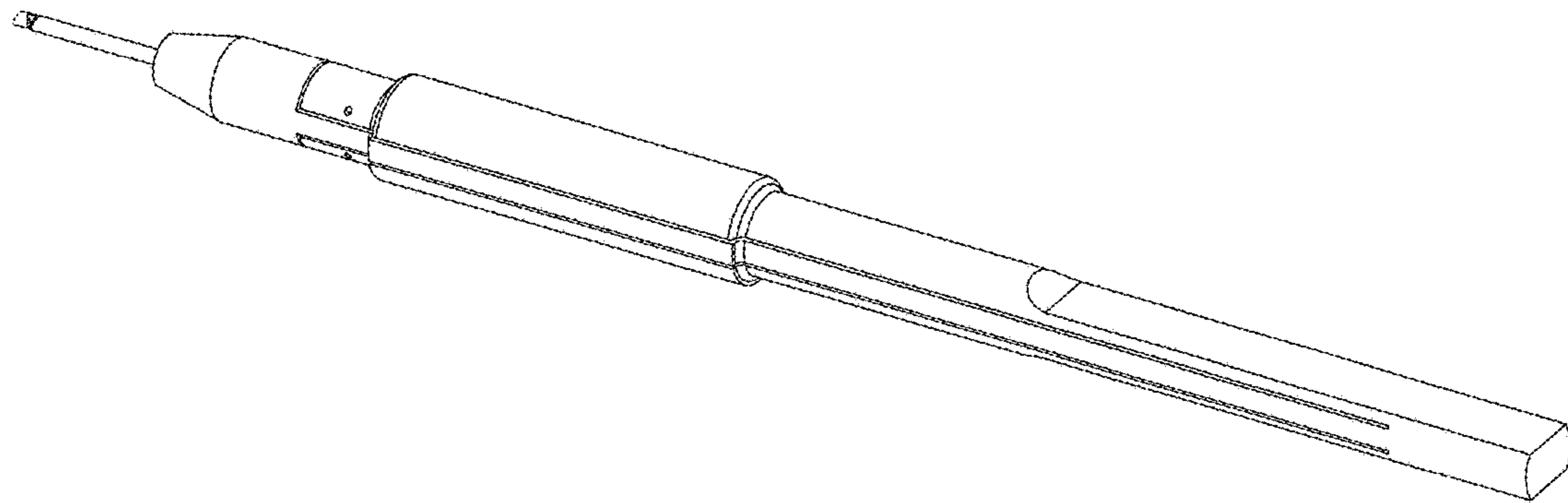
D749,733 S \* 2/2016 Canady ..... D24/147  
D750,780 S \* 3/2016 Ogane ..... D24/146  
D753,826 S \* 4/2016 Eggeling ..... D24/147  
D773,664 S \* 12/2016 DeNeui ..... D24/147

\* cited by examiner  
*Primary Examiner* — Garth Rademaker  
*Assistant Examiner* — Samantha Q Lawrence  
(74) *Attorney, Agent, or Firm* — Haug Partners LLP;  
William S. Frommer

(57) **CLAIM**  
The ornamental design for a punch, as shown and described.

**DESCRIPTION**  
FIG. 1 is a top, front, right perspective view of a punch according to my invention;  
FIG. 2 is a top, front, left perspective view thereof;  
FIG. 3 is an enlarged perspective view of area A in FIG. 2, shown in a retracted position;  
FIG. 4 is an enlarged perspective view of area A in FIG. 2, shown in an extended position;  
FIG. 5 is a front view thereof;  
FIG. 6 is a rear view thereof;  
FIG. 7 is a right side view thereof;  
FIG. 8 is a left side view thereof;  
FIG. 9 is a top plan view thereof; and,  
FIG. 10 is a bottom plan view thereof.  
The broken lines shown in the Figures illustrate portions of the punch that form no part of the claimed design.

**1 Claim, 4 Drawing Sheets**



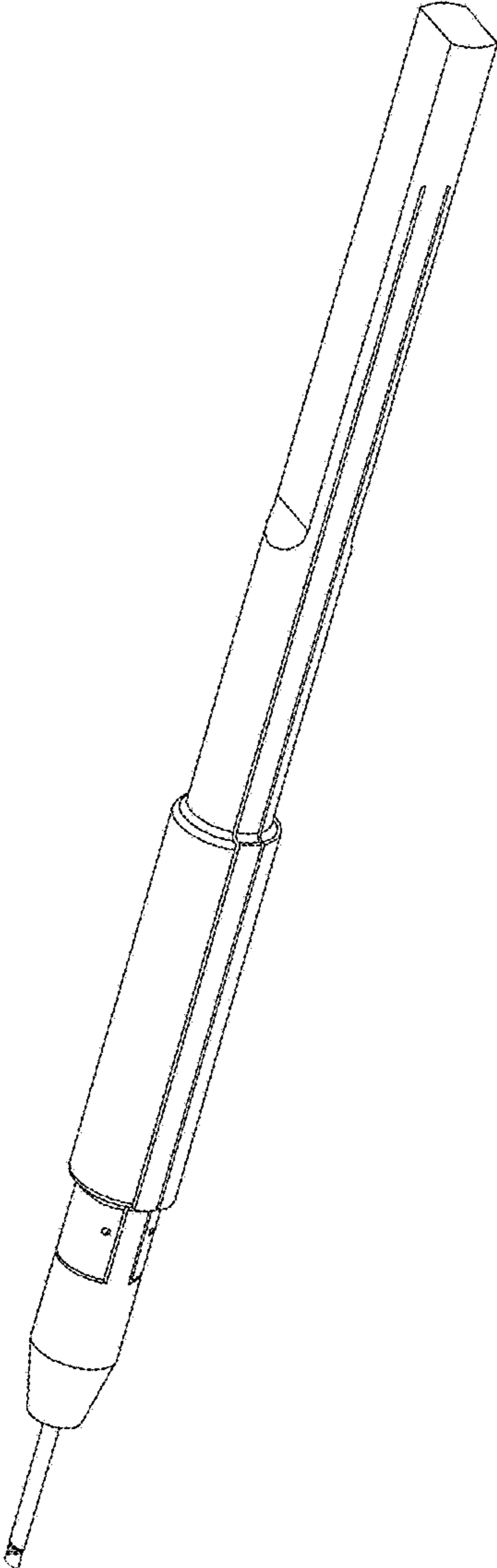


FIG. 1

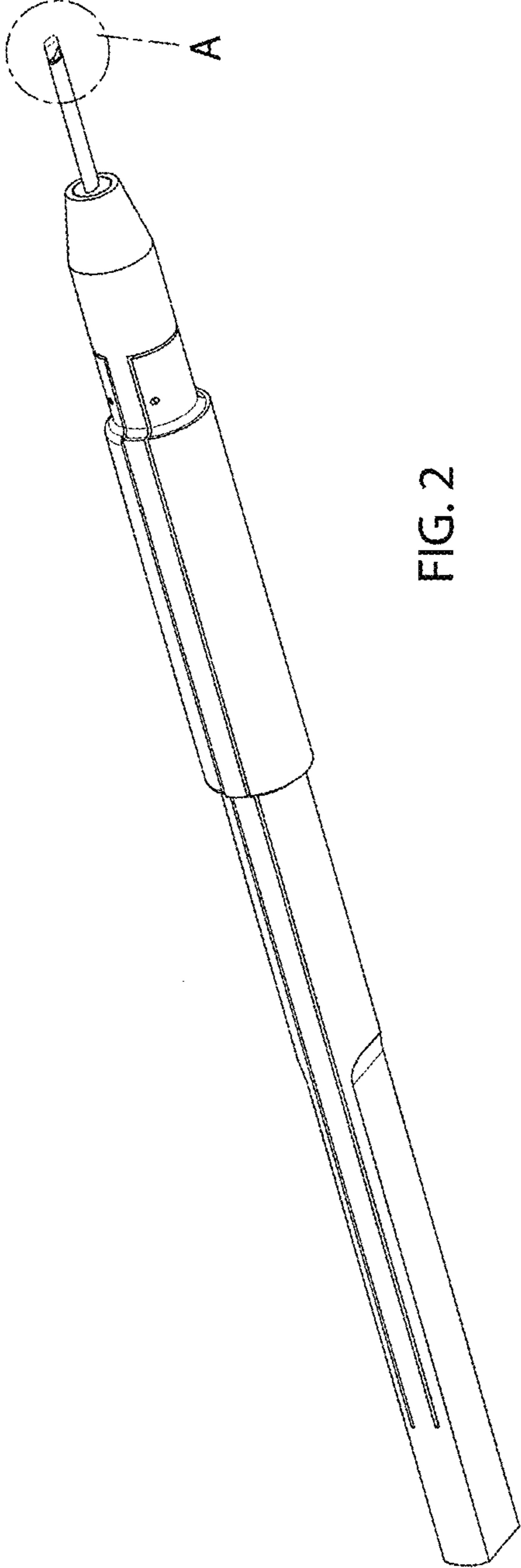


FIG. 2

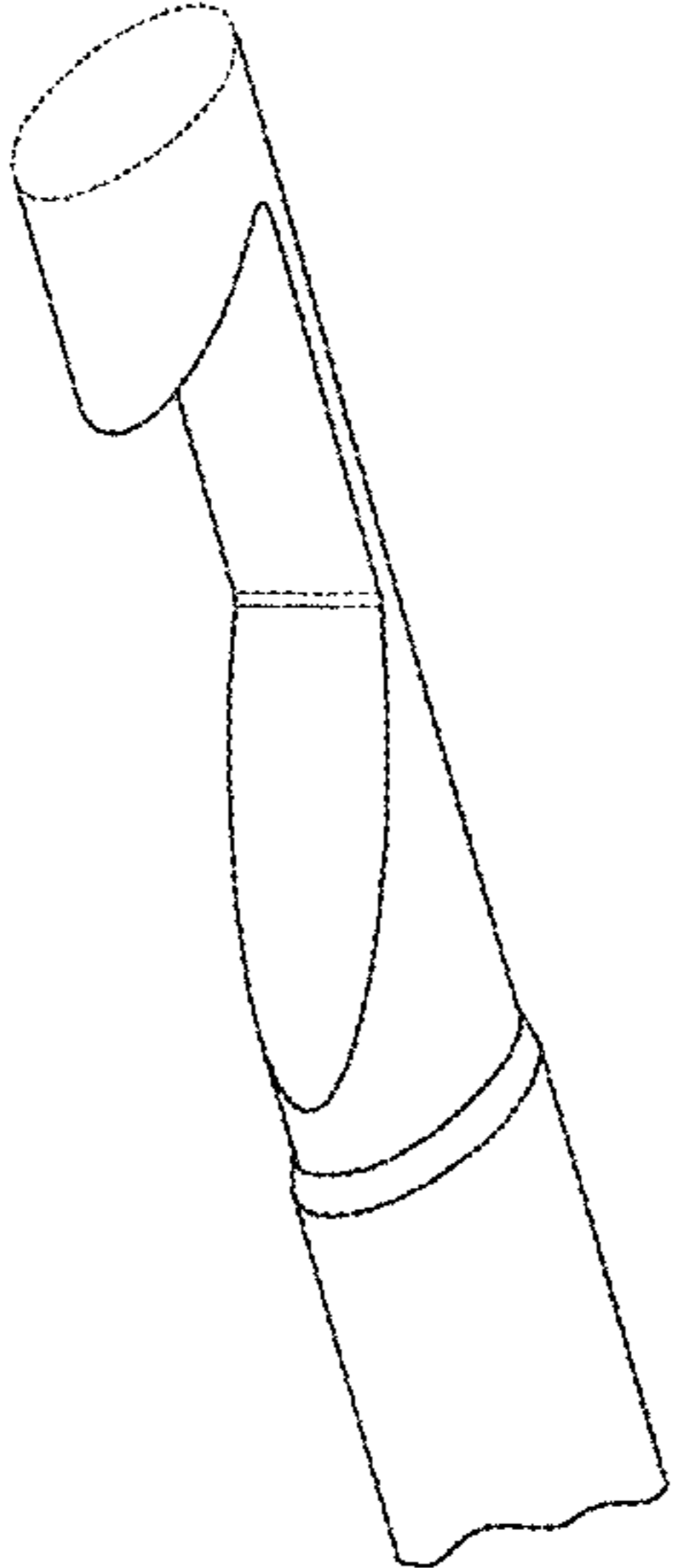


FIG. 4

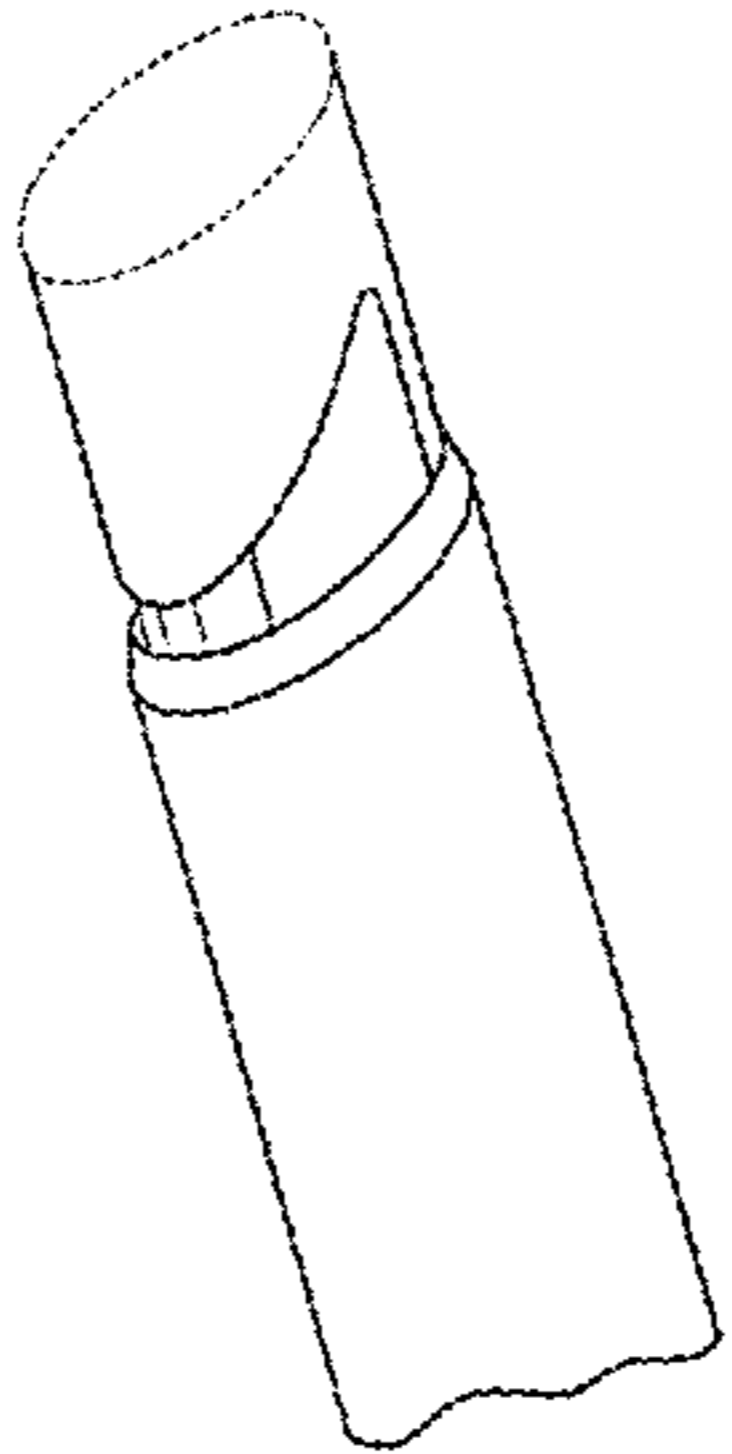


FIG. 3

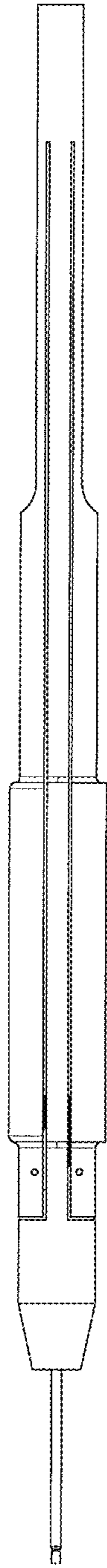


FIG. 5

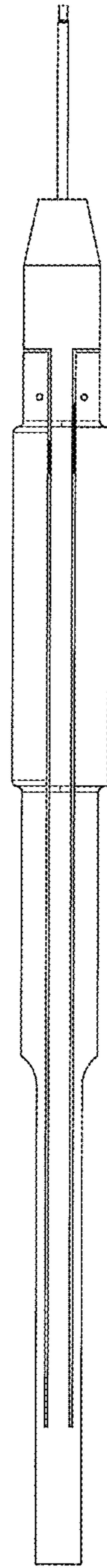


FIG. 6

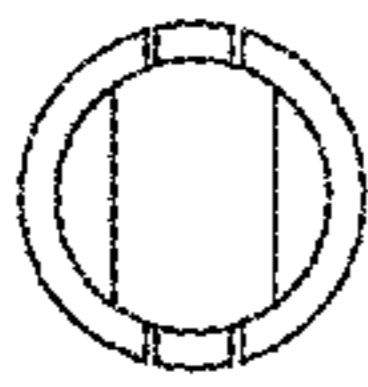


FIG. 7

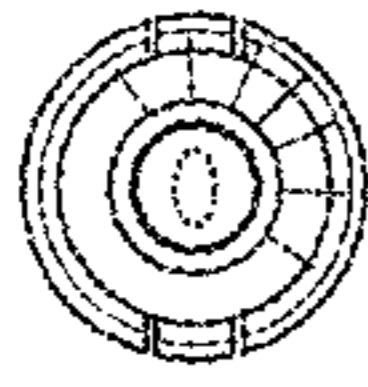


FIG. 8

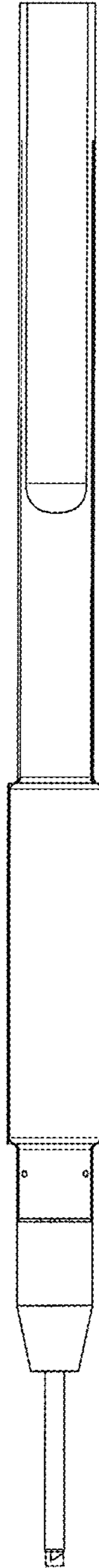


FIG. 9

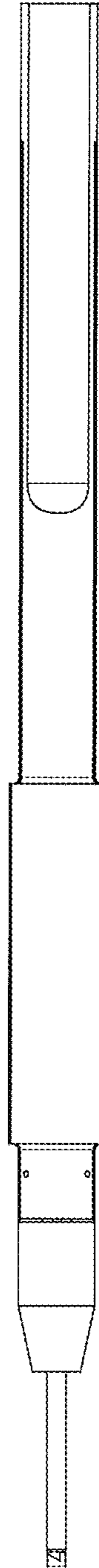


FIG. 10