



US00D794194S

(12) **United States Design Patent** (10) **Patent No.:** **US D794,194 S**
Schuerg (45) **Date of Patent:** **** *Aug. 8, 2017**

- (54) **HAND GRIP**
- (71) Applicant: **Erbe Elektromedizin GmbH**,
Tuebingen (DE)
- (72) Inventor: **Peter Schuerg**, Moessingen (DE)
- (73) Assignee: **Erbe Elektromedizin GmbH**,
Tuebingen (DE)
- (*) Notice: This patent is subject to a terminal disclaimer.
- (**) Term: **15 Years**
- (21) Appl. No.: **29/576,436**
- (22) Filed: **Sep. 2, 2016**

Related U.S. Application Data

- (62) Division of application No. 29/475,712, filed on Dec. 5, 2013, now Pat. No. Des. 766,432.

(30) **Foreign Application Priority Data**

Jun. 5, 2013 (EM) 002249672

- (51) **LOC (10) Cl.** **24-02**
- (52) **U.S. Cl.**
USPC **D24/144**
- (58) **Field of Classification Search**
USPC D24/133, 144, 147
CPC . A61B 18/1402; A61B 18/14; A61B 18/1477;
A61B 2018/00601; A61B 2018/00708;
A61B 2018/00922; A61B 2018/00928;
A61B 2018/00958

See application file for complete search history.

(56) **References Cited**

U.S. PATENT DOCUMENTS

- D287,879 S * 1/1987 Braxton D24/144
- D301,739 S * 6/1989 Turner D24/144

- 5,282,799 A 2/1994 Rydell
- D393,067 S * 3/1998 Geary D24/144
- 5,800,431 A 9/1998 Brown
- D402,030 S 12/1998 Roberts et al.
- D402,031 S * 12/1998 Roberts D24/144
- 6,258,088 B1 7/2001 Tzonev et al.

(Continued)

Primary Examiner — Wan Laymon

(74) *Attorney, Agent, or Firm* — Fitch, Even, Tabin & Flannery LLP

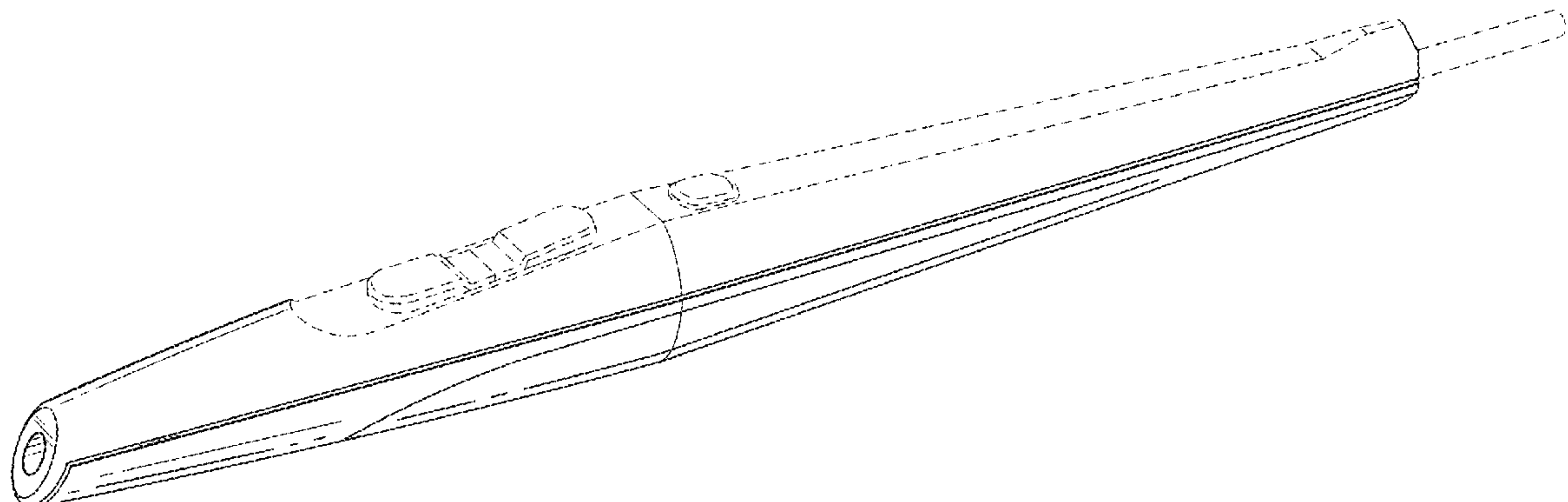
(57) **CLAIM**

I claim the ornamental design for a hand grip, as shown and described.

DESCRIPTION

FIG. 1 is a front perspective view of a hand grip in accordance with a first embodiment of my new design; FIG. 2 is a top plan view of the hand grip of FIG. 1; FIG. 3 is a left side elevational view of the hand grip of FIG. 1, the right side elevational view being a mirror image thereof; FIG. 4 is an enlarged front elevational view of the hand grip of FIG. 1; FIG. 5 is an enlarged rear elevational view of the hand grip of FIG. 1; FIG. 6 is a bottom plan view of the hand grip of FIG. 1; FIG. 7 is a front perspective view of a hand grip in accordance with a second embodiment of my new design; FIG. 8 is a top plan view of the hand grip of FIG. 7; FIG. 9 is a left side elevational view of the hand grip of FIG. 7, the right side elevational view being a mirror image thereof; FIG. 10 is an enlarged front elevational view of the hand grip of FIG. 7; FIG. 11 is an enlarged rear elevational view of the hand grip of FIG. 7; and, FIG. 12 is a bottom plan view of the hand grip of FIG. 7. The broken lines depict unclaimed environmental subject matter and form no part of the claimed design.

1 Claim, 6 Drawing Sheets



(56)

References Cited

U.S. PATENT DOCUMENTS

6,402,748	B1	6/2002	Schoenman et al.	
6,755,825	B2 *	6/2004	Shoenman	A61B 18/1402 606/45
D521,641	S *	5/2006	Reschke	D24/144
D535,396	S *	1/2007	Reschke	D24/144
7,156,842	B2 *	1/2007	Sartor	A61B 18/1402 606/37
D547,867	S	7/2007	Malis et al.	
D549,325	S	8/2007	Schnitzler et al.	
7,503,917	B2	3/2009	Sartor et al.	
8,460,289	B2 *	6/2013	Sartor	A61B 18/1402 606/45
8,690,872	B2	4/2014	Jayaraj	
2011/0092971	A1	4/2011	Sartor et al.	
2016/0081679	A1 *	3/2016	Stoddard	A61B 18/1402 156/73.1

* cited by examiner

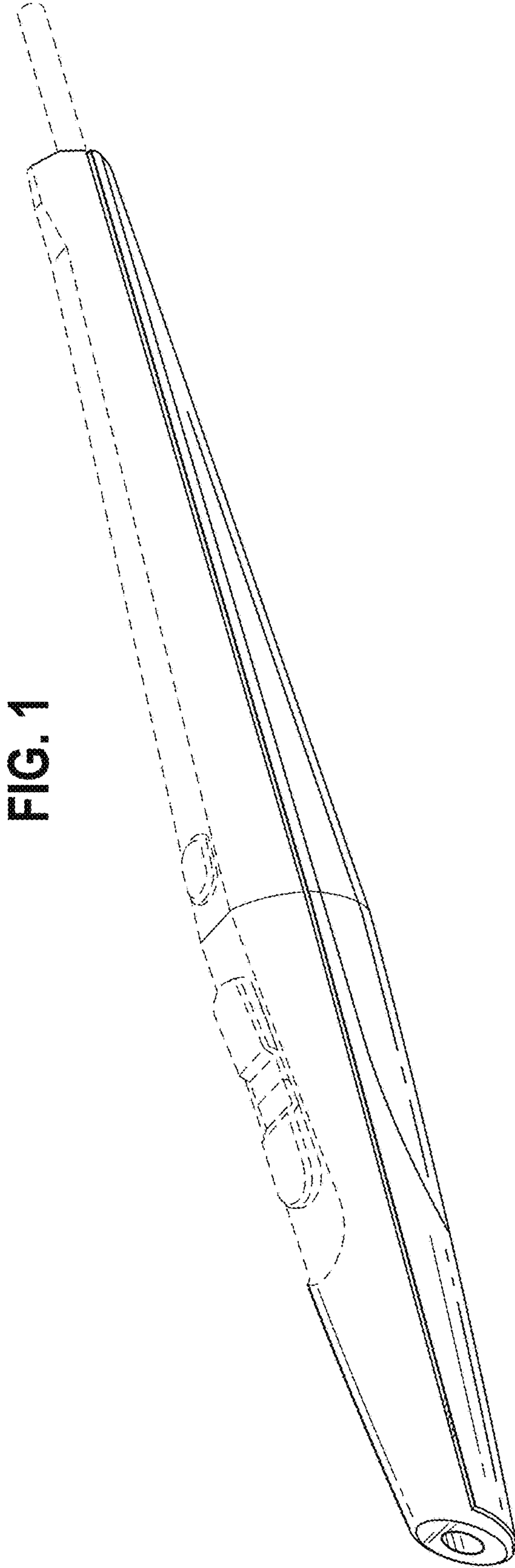


FIG. 1

FIG. 2

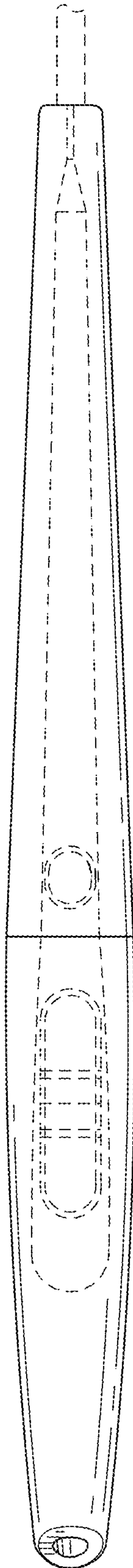


FIG. 3

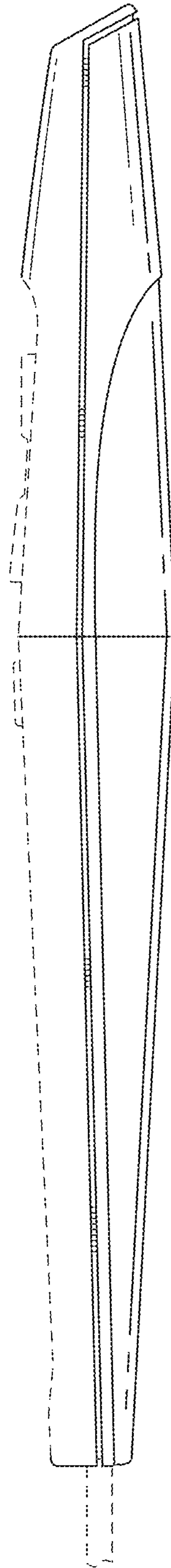


FIG. 5

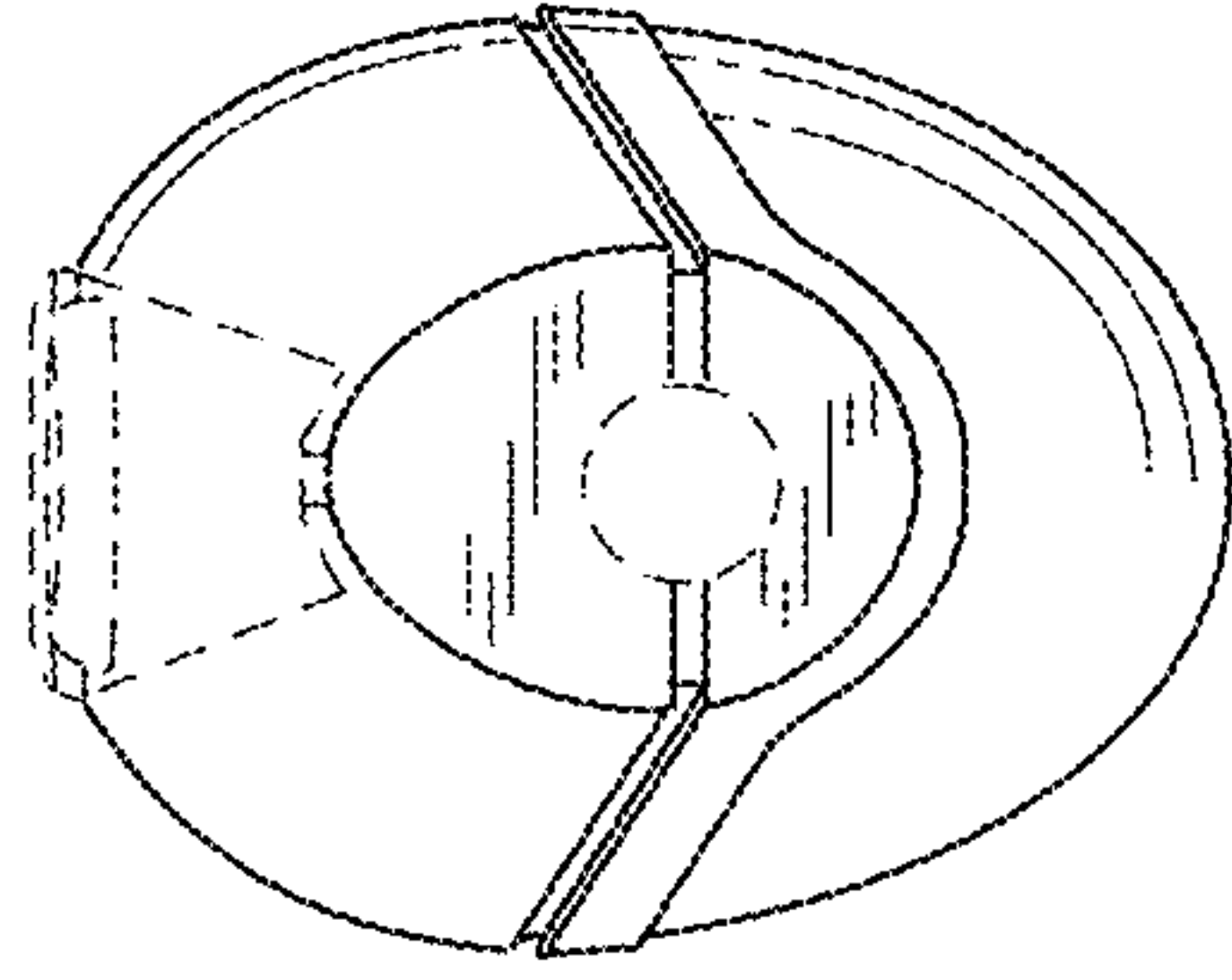


FIG. 4

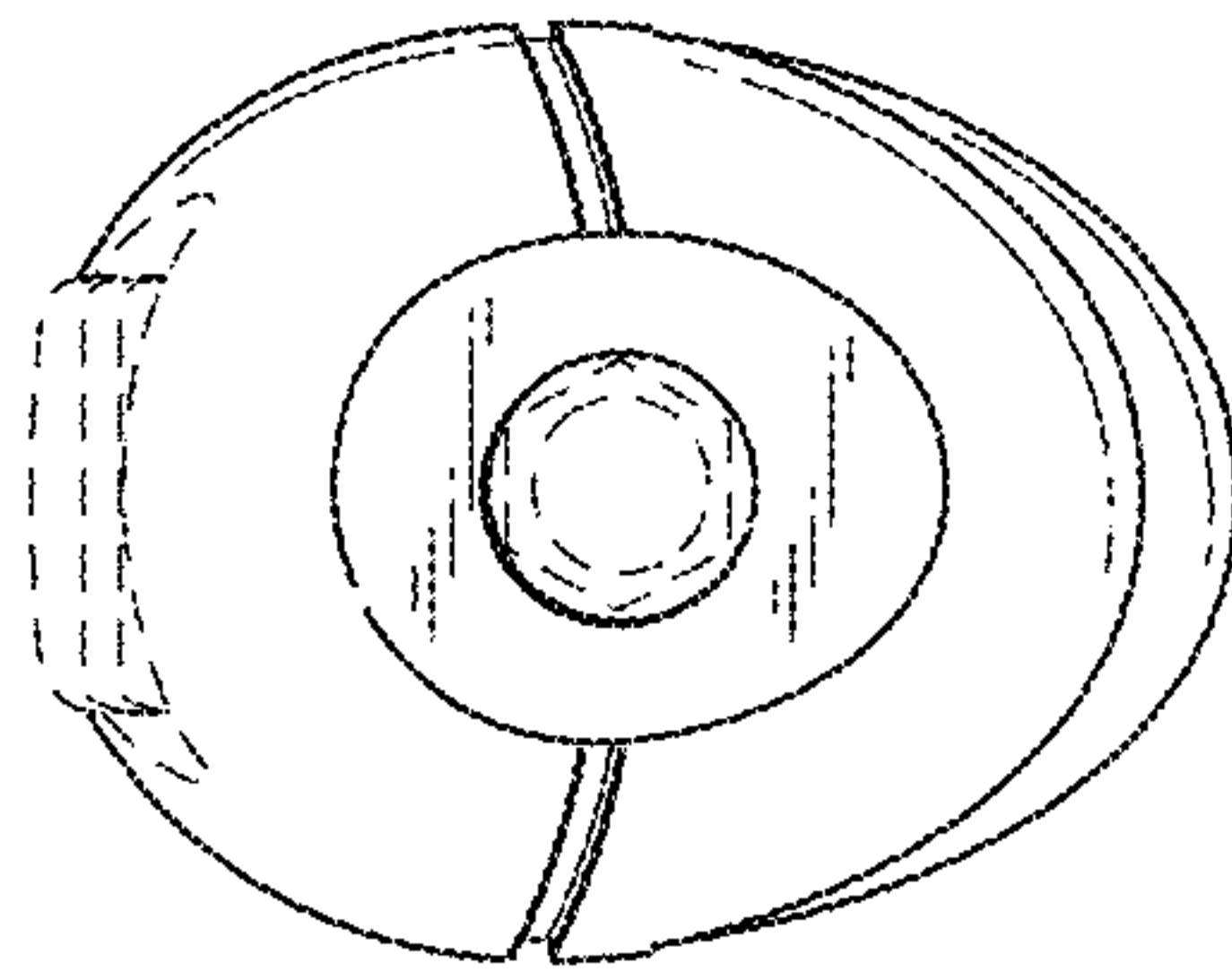


FIG. 6



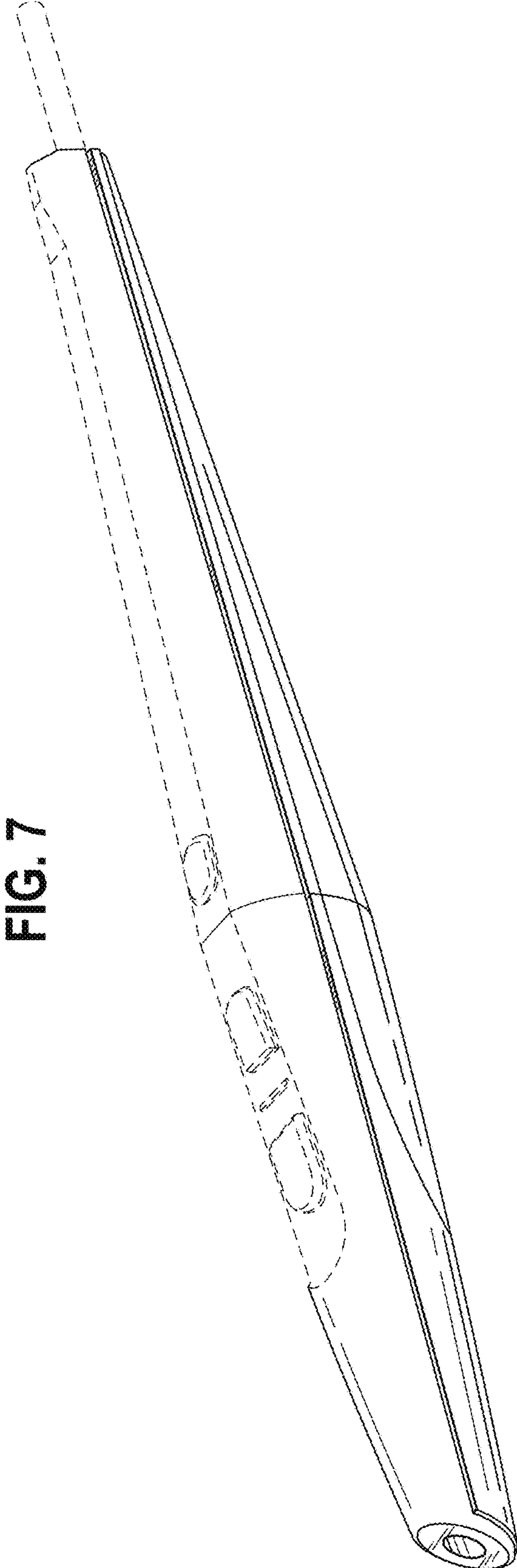


FIG. 7

FIG. 8

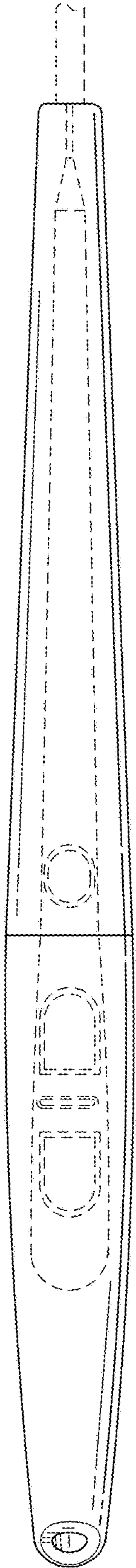


FIG. 9

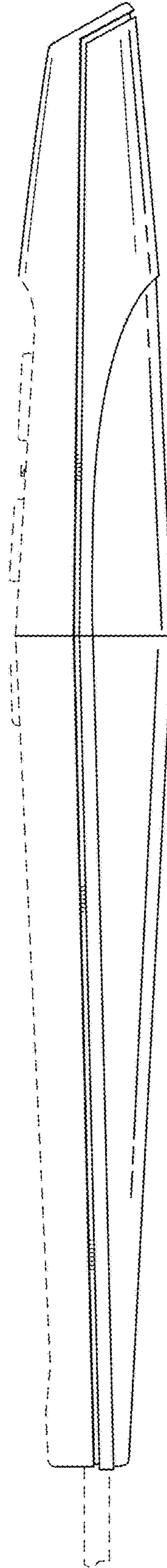


FIG. 10

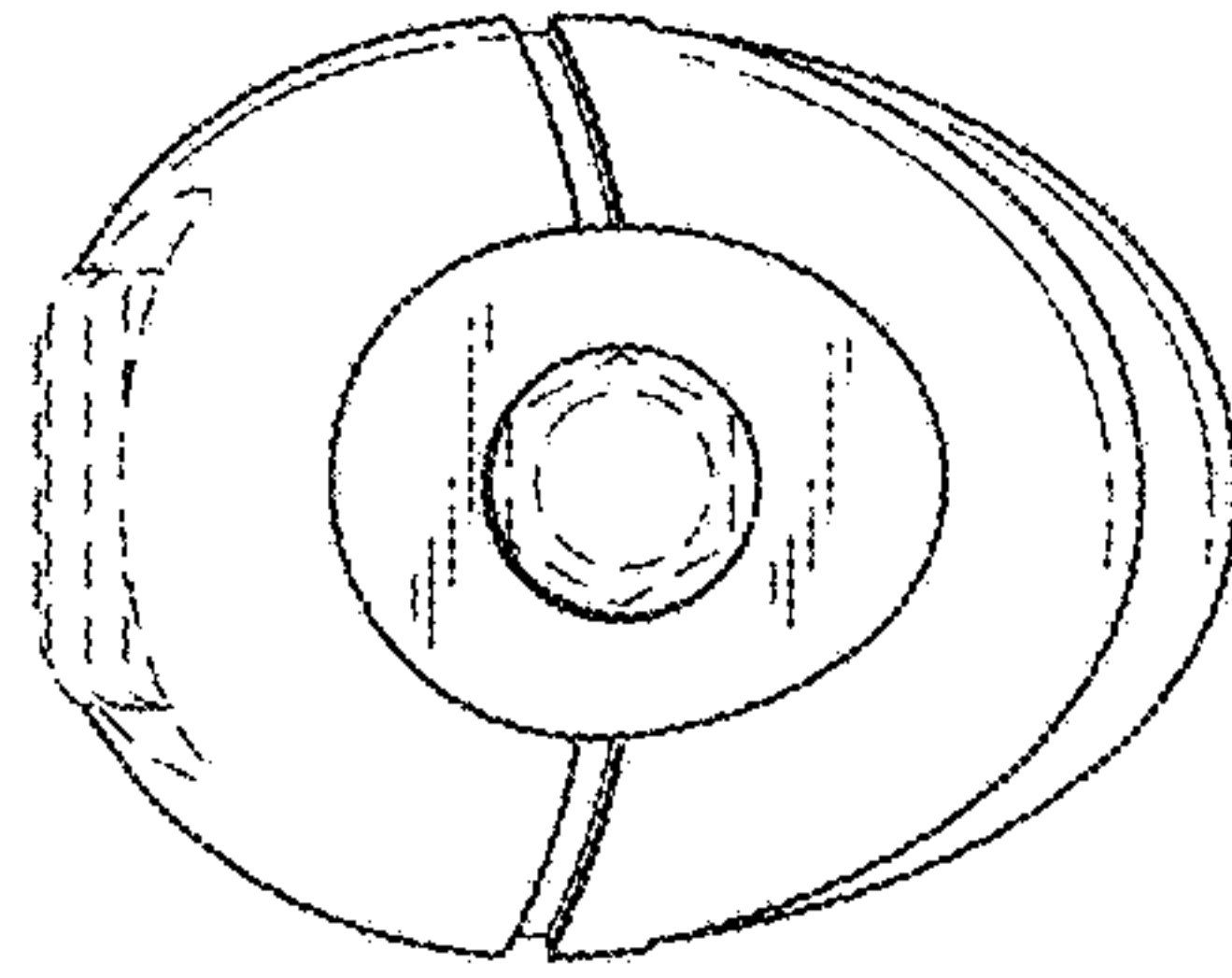


FIG. 11

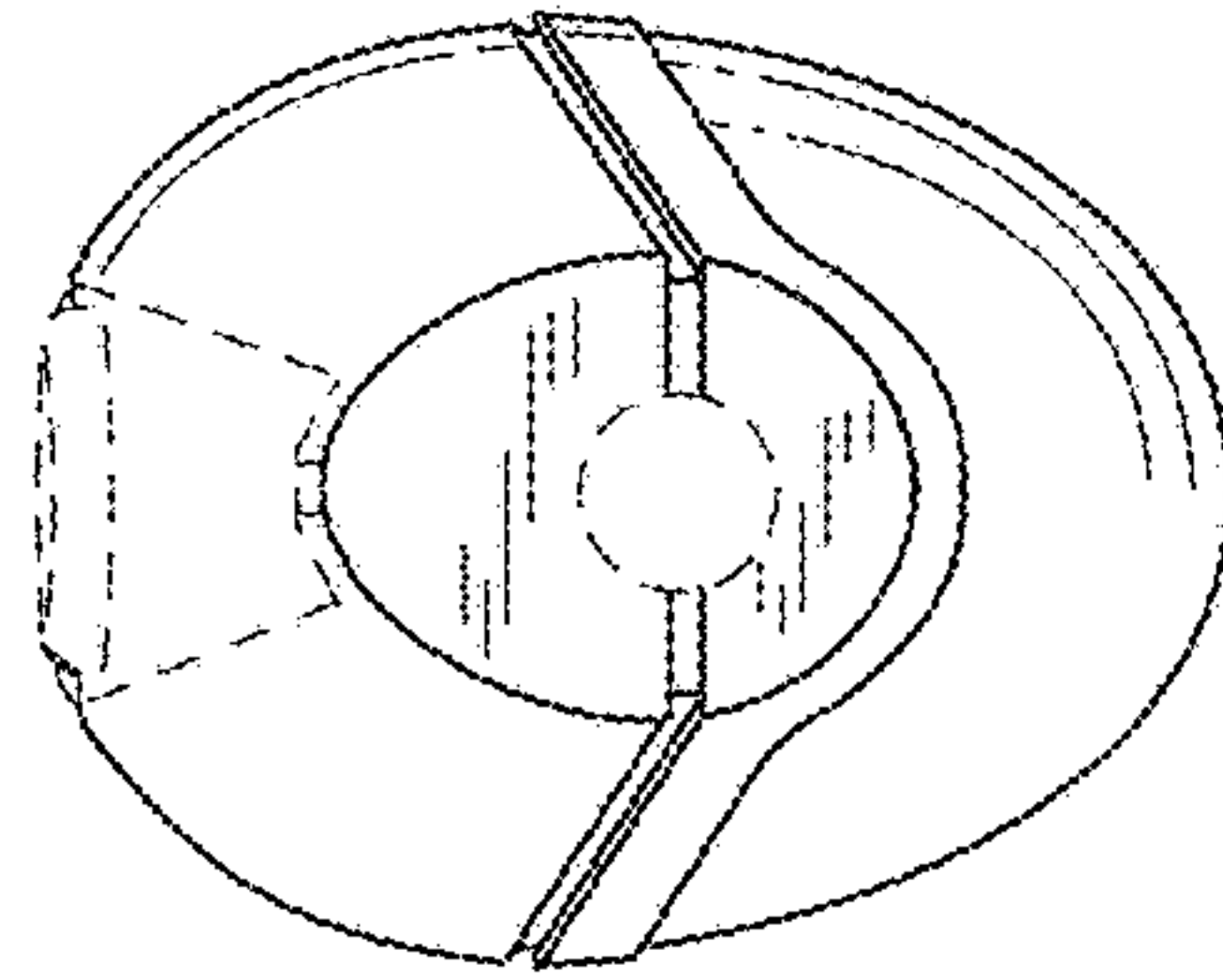


FIG. 12

