



US00D794193S

(12) **United States Design Patent** (10) **Patent No.:** **US D794,193 S**
Schuerg (45) **Date of Patent:** **** Aug. 8, 2017**

(54) **HAND GRIP** 5,800,431 A 9/1998 Brown
D402,030 S 12/1998 Roberts et al.
(71) Applicant: **Erbe Elektromedizin GmbH,** D402,031 S * 12/1998 Roberts D24/144
Tuebingen (DE) 6,258,088 B1 7/2001 Tzonev et al.
6,402,748 B1 6/2002 Schoenman et al.
(72) Inventor: **Peter Schuerg,** Moessingen (DE) 6,755,825 B2 * 6/2004 Shoenman A61B 18/1402
606/45
(73) Assignee: **Erbe Elektromedizin GmbH,** D521,641 S * 5/2006 Reschke D24/144
Tuebingen (DE) D535,396 S * 1/2007 Reschke D24/144
7,156,842 B2 * 1/2007 Sartor A61B 18/1402
606/37
(**) Term: **15 Years** D547,867 S 7/2007 Malis et al.
D549,325 S 8/2007 Schnitzler et al.
(21) Appl. No.: **29/576,421** 7,503,917 B2 3/2009 Sartor et al.
8,460,289 B2 * 6/2013 Sartor A61B 18/1402
(22) Filed: **Sep. 2, 2016** 8,690,872 B2 4/2014 Jayaraj
606/45

Related U.S. Application Data

(62) Division of application No. 29/475,689, filed on Dec. 5, 2013, now Pat. No. Des. 765,841.

Foreign Application Priority Data

(30) Jun. 5, 2013 (EM) 002249672

(51) **LOC (10) Cl.** **24-02**

(52) **U.S. Cl.**
USPC **D24/144**

(58) **Field of Classification Search**
USPC D24/133, 144, 147
CPC . A61B 18/1402; A61B 18/14; A61B 18/1477;
A61B 2018/00601; A61B 2018/00708;
A61B 2018/00922; A61B 2018/00928;
A61B 2018/00958
See application file for complete search history.

References Cited

(56) **U.S. PATENT DOCUMENTS**
D287,879 S * 1/1987 Braxton D24/144
D301,739 S * 6/1989 Turner D24/144
5,282,799 A 2/1994 Rydell
D393,067 S * 3/1998 Geary D24/144

Primary Examiner — Wan Laymon

(74) *Attorney, Agent, or Firm* — Fitch, Even, Tabin & Flannery LLP

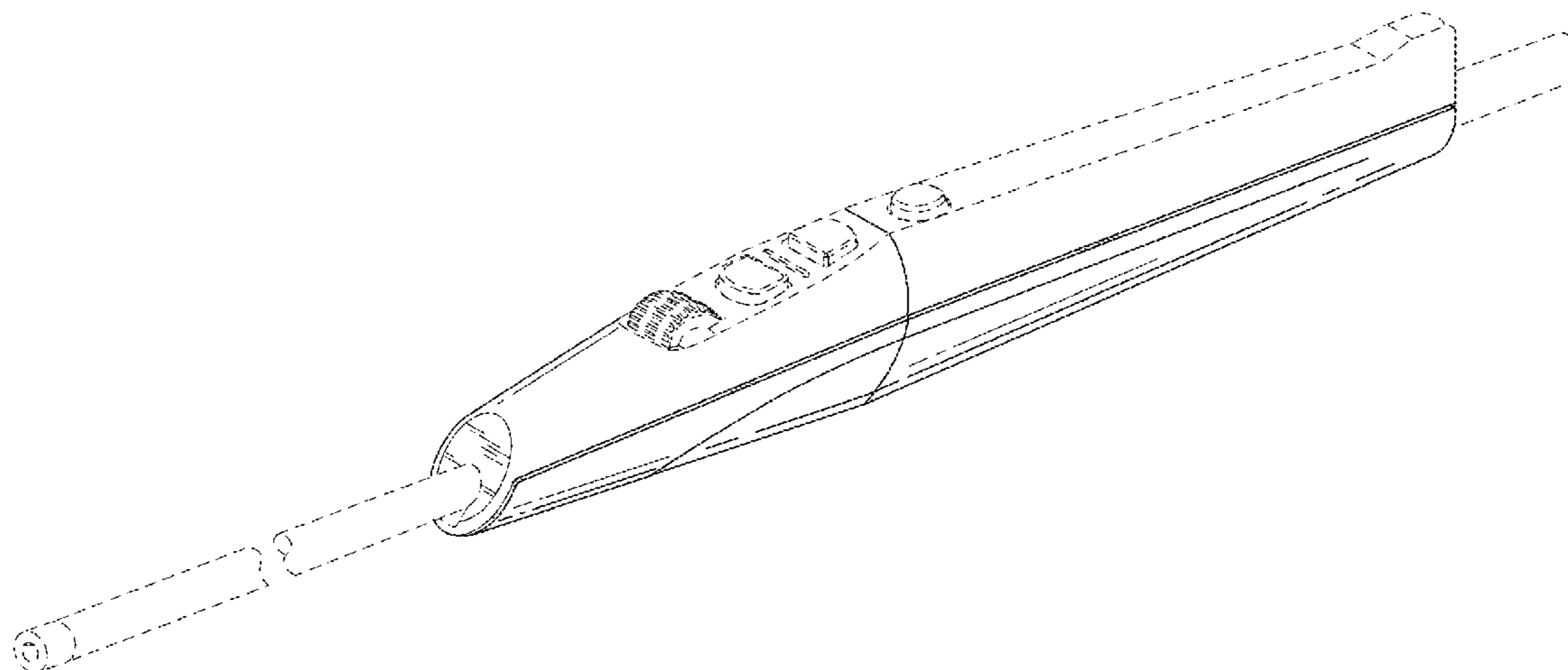
(57) **CLAIM**

I claim the ornamental design for a hand grip, as shown and described.

DESCRIPTION

FIG. 1 is a front perspective view of a hand grip in accordance with a first embodiment of my new design; FIG. 2 is a top plan view of the hand grip of FIG. 1; FIG. 3 is a left side elevational view of the hand grip of FIG. 1, the right side elevational view being a mirror image thereof; FIG. 4 is an enlarged front elevational view of the hand grip of FIG. 1; FIG. 5 is an enlarged rear elevational view of the hand grip of FIG. 1; and, FIG. 6 is a bottom plan view of the hand grip of FIG. 1. The broken lines depict unclaimed environmental subject matter and form no part of the claimed design.

1 Claim, 3 Drawing Sheets



(56)

References Cited

U.S. PATENT DOCUMENTS

2011/0092971 A1 4/2011 Sartor et al.
2016/0081679 A1* 3/2016 Stoddard A61B 18/1402
156/73.1

* cited by examiner

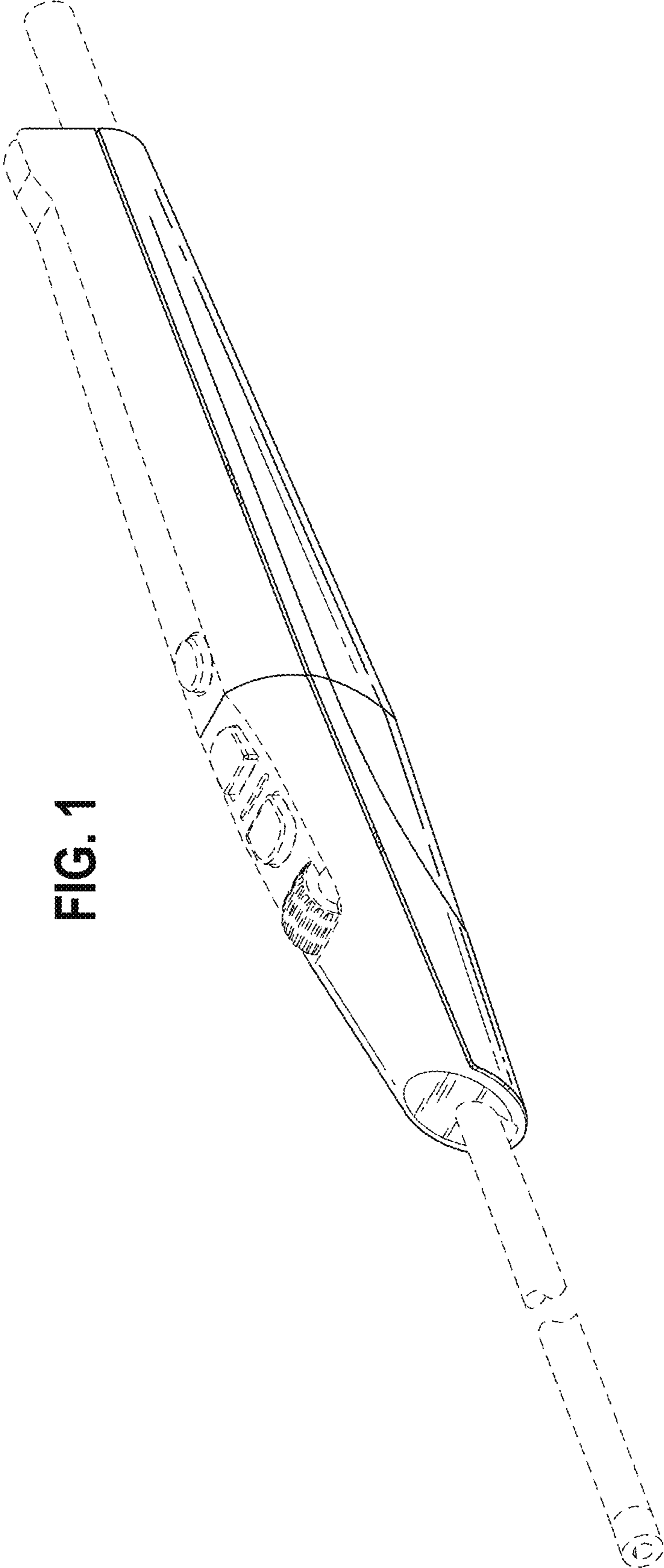


FIG. 1

FIG. 2

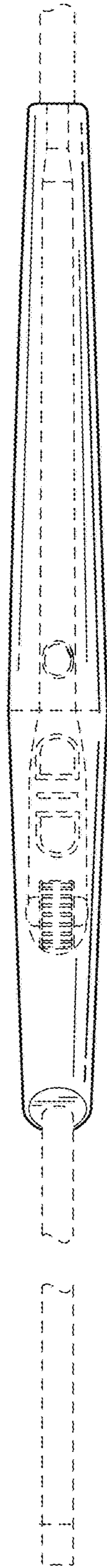


FIG. 3

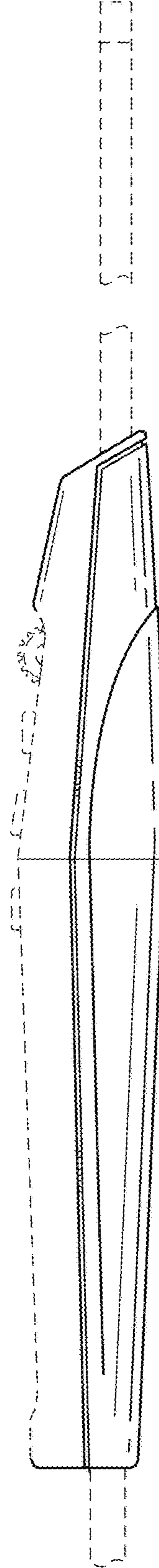


FIG. 5

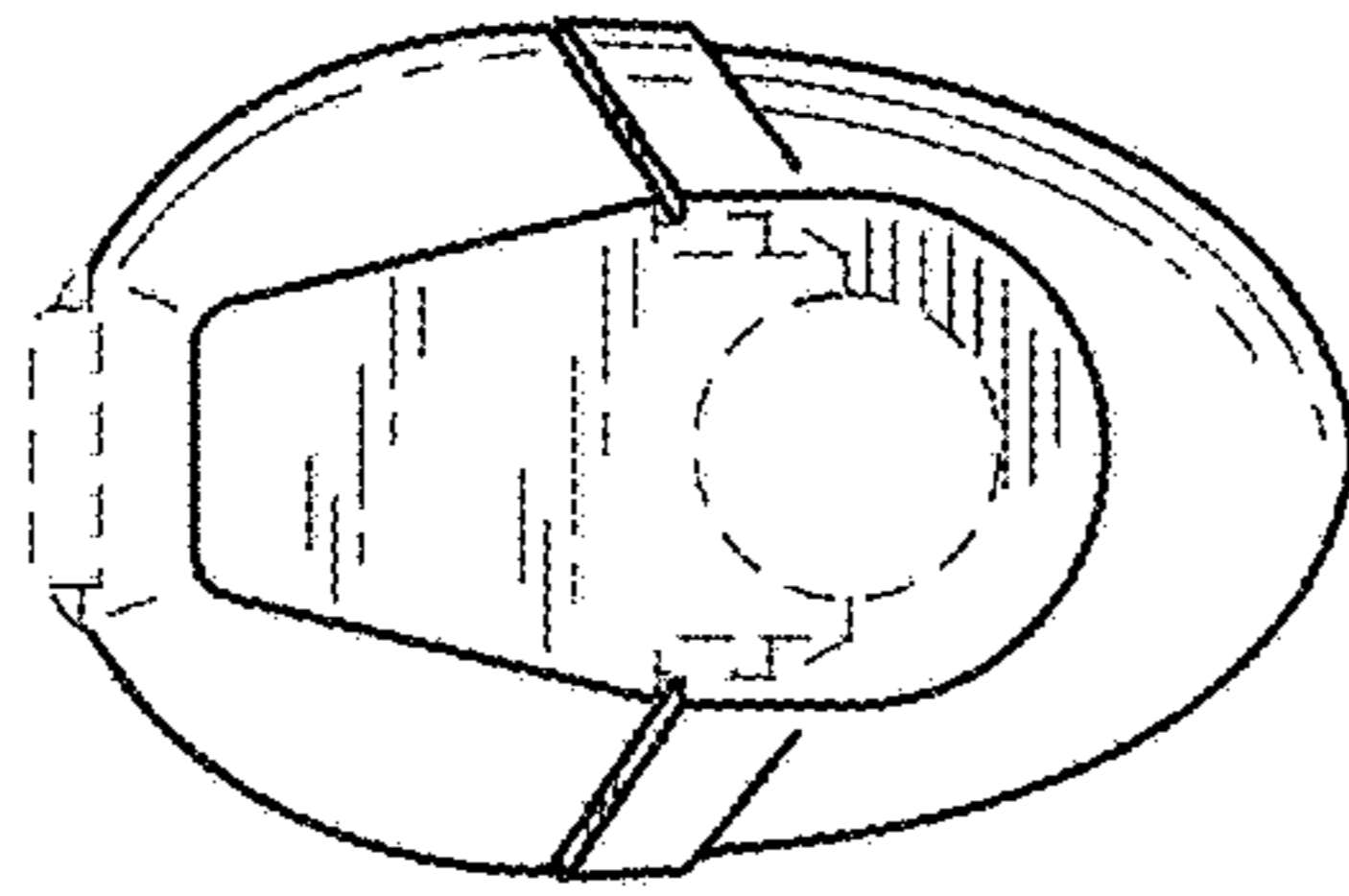


FIG. 4

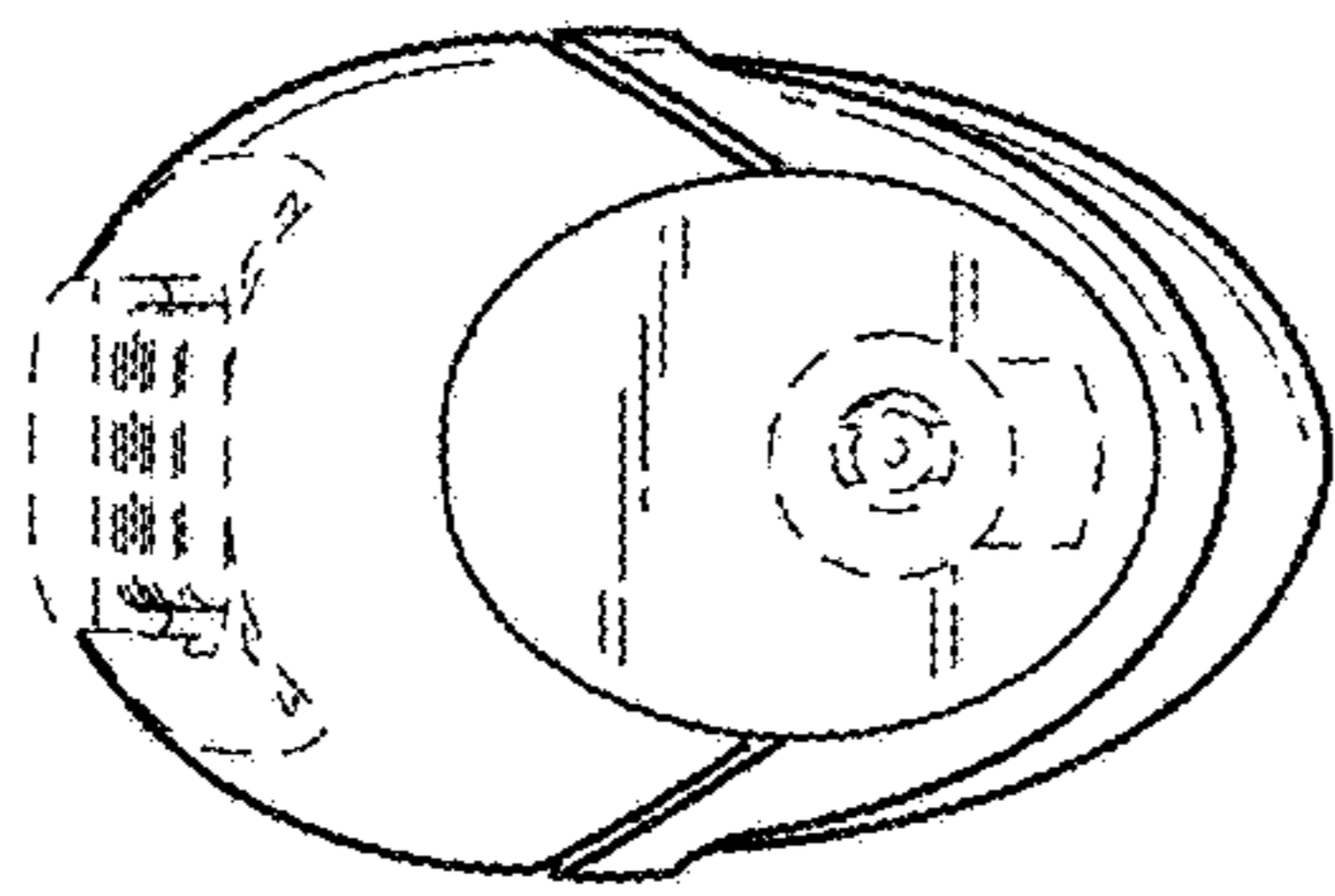


FIG. 6

