

US00D794192S

(12) **United States Design Patent** (10) **Patent No.:** **US D794,192 S**  
**Schuerg** (45) **Date of Patent:** **\*\* \*Aug. 8, 2017**

(54) **HAND GRIP**  
(71) Applicant: **Erbe Elektromedizin GmbH**,  
Tuebingen (DE)  
(72) Inventor: **Peter Schuerg**, Moessingen (DE)  
(73) Assignee: **Erbe Elektromedizin GmbH**,  
Tuebingen (DE)  
(\* ) Notice: This patent is subject to a terminal dis-  
claimer.  
(\*\* ) Term: **15 Years**

5,282,799 A 2/1994 Rydell  
D393,067 S \* 3/1998 Geary ..... D24/144  
5,800,431 A 9/1998 Brown  
D402,030 S 12/1998 Roberts et al.  
D402,031 S \* 12/1998 Roberts ..... D24/144  
6,258,088 B1 7/2001 Tzonev et al.  
6,402,748 B1 6/2002 Schoenman et al.  
6,755,825 B2 \* 6/2004 Shoenman ..... A61B 18/1402  
606/45  
D521,641 S \* 5/2006 Reschke ..... D24/144  
D535,396 S \* 1/2007 Reschke ..... D24/144  
7,156,842 B2 \* 1/2007 Sartor ..... A61B 18/1402  
606/37  
D547,867 S 7/2007 Malis et al.  
D549,325 S 8/2007 Schnitzler et al.  
7,503,917 B2 3/2009 Sartor et al.

(Continued)

(21) Appl. No.: **29/576,401**  
(22) Filed: **Sep. 2, 2016**

*Primary Examiner* — Wan Laymon  
(74) *Attorney, Agent, or Firm* — Fitch, Even, Tabin &  
Flannery LLP

**Related U.S. Application Data**

(62) Division of application No. 29/475,693, filed on Dec.  
5, 2013, now Pat. No. Des. 765,842.

(57) **CLAIM**

I claim the ornamental design for a hand grip, as shown and  
described.

(30) **Foreign Application Priority Data**

Jun. 5, 2013 (EM) ..... 002249672

**DESCRIPTION**

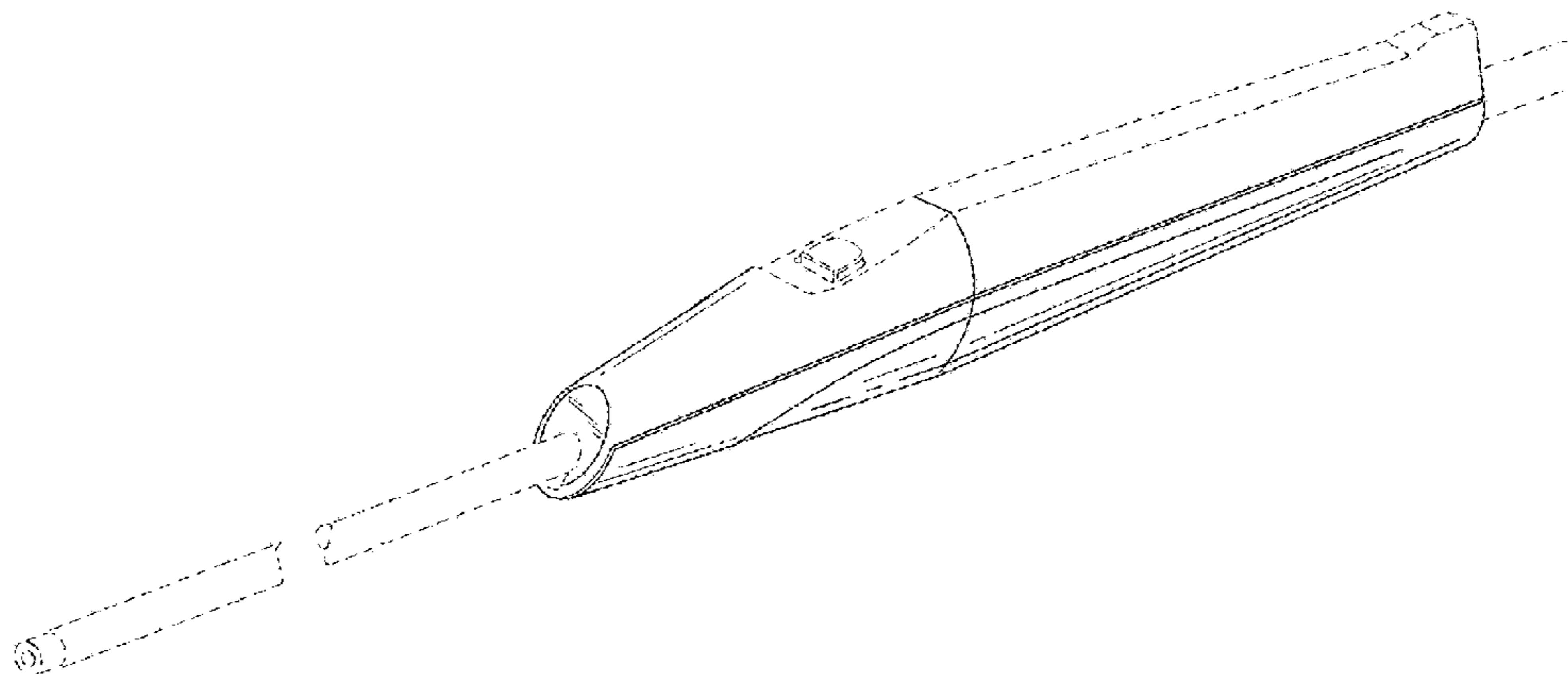
(51) **LOC (10) Cl.** ..... **24-02**  
(52) **U.S. Cl.**  
USPC ..... **D24/144**  
(58) **Field of Classification Search**  
USPC ..... D24/133, 144, 147  
CPC . A61B 18/1402; A61B 18/14; A61B 18/1477;  
A61B 2018/00601; A61B 2018/00708;  
A61B 2018/00922; A61B 2018/00928;  
A61B 2018/00958  
See application file for complete search history.

FIG. 1 is a front perspective view of a hand grip in  
accordance with a first embodiment of my new design;  
FIG. 2 is a top plan view of the hand grip of FIG. 1;  
FIG. 3 is a left side elevational view of the hand grip of FIG.  
1, the right side elevational view being a mirror image  
thereof;  
FIG. 4 is an enlarged front elevational view of the hand grip  
of FIG. 1;  
FIG. 5 is an enlarged rear elevational view of the hand grip  
of FIG. 1; and,  
FIG. 6 is a bottom plan view of the hand grip of FIG. 1.  
The broken lines depict unclaimed environmental subject  
matter and form no part of the claimed design.

(56) **References Cited**  
U.S. PATENT DOCUMENTS

D287,879 S \* 1/1987 Braxton ..... D24/144  
D301,739 S \* 6/1989 Turner ..... D24/144

**1 Claim, 3 Drawing Sheets**



(56)

**References Cited**

U.S. PATENT DOCUMENTS

8,460,289 B2 *	6/2013	Sartor .....	A61B 18/1402 606/45
8,690,872 B2	4/2014	Jayaraj	
2011/0092971 A1	4/2011	Sartor et al.	
2016/0081679 A1 *	3/2016	Stoddard .....	A61B 18/1402 156/73.1

\* cited by examiner

FIG. 1

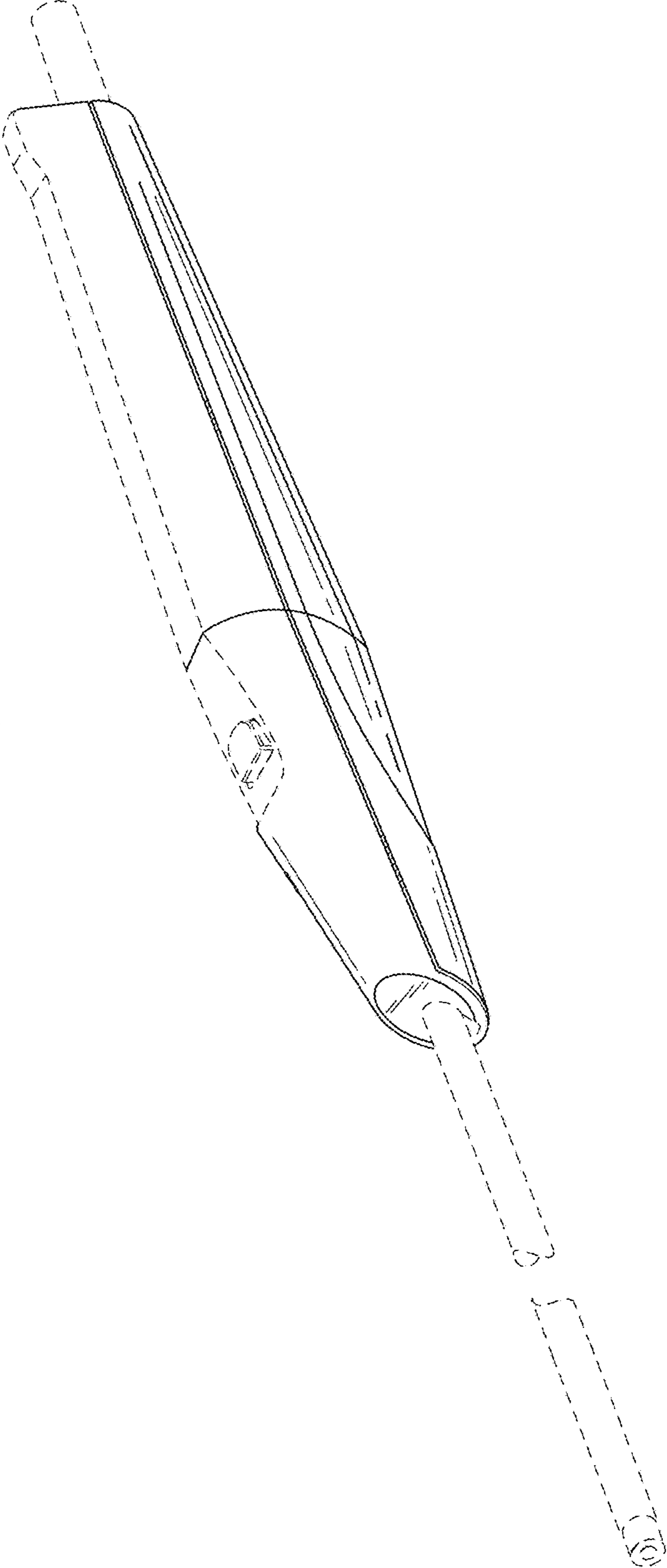


FIG. 2

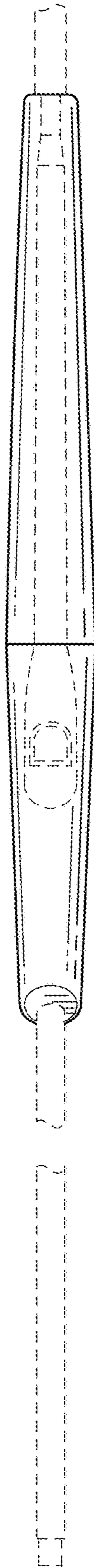
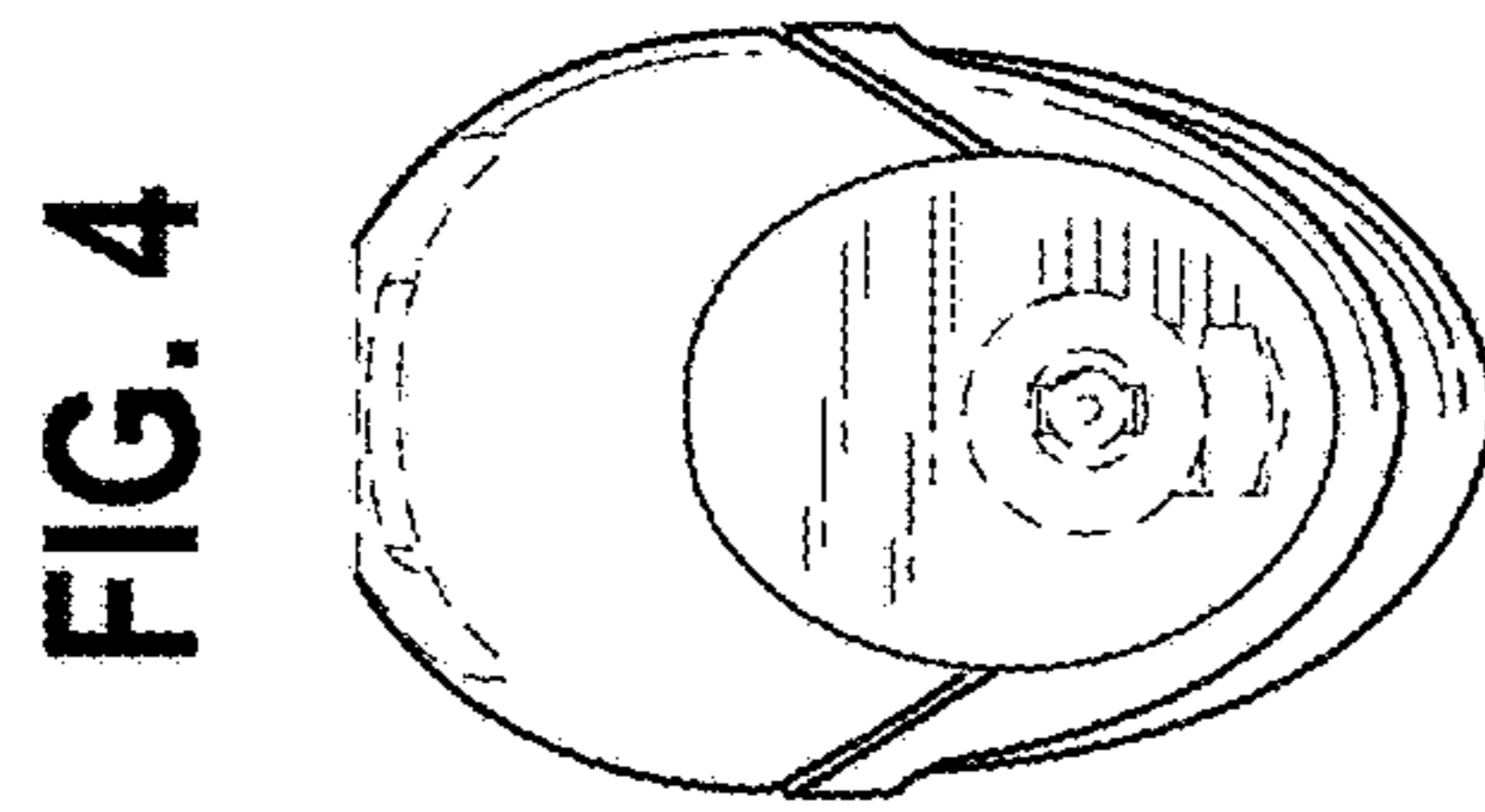
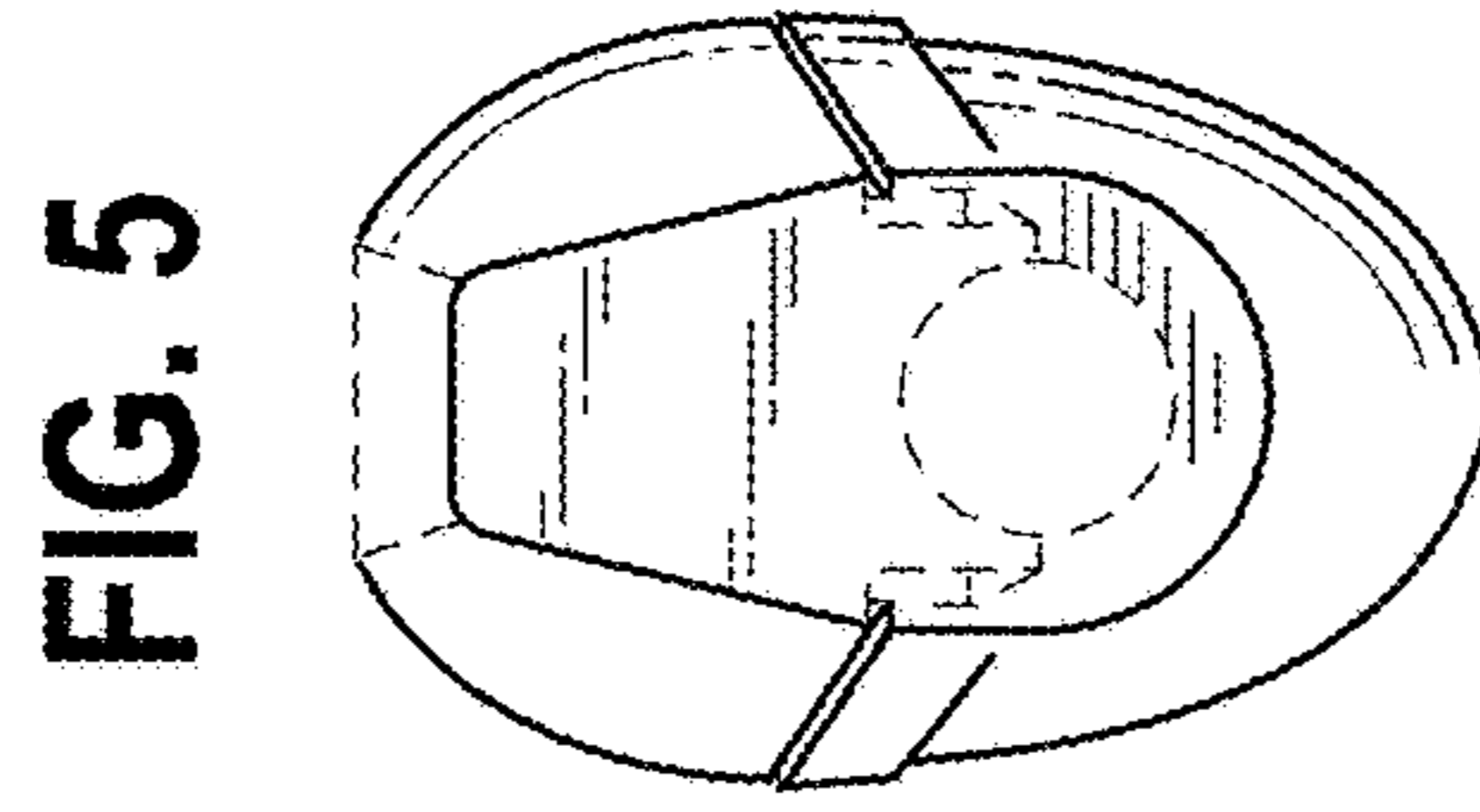


FIG. 3





**FIG. 6**

