



US00D794189S

(12) **United States Design Patent** (10) **Patent No.:** **US D794,189 S**
Sakai (45) **Date of Patent:** **** Aug. 8, 2017**

(54) **ULTRASONIC CONTROL DEVICE FOR ENDOSCOPE**

(71) Applicant: **FUJIFILM Corporation**, Tokyo (JP)

(72) Inventor: **Hiroyuki Sakai**, Kanagawa (JP)

(73) Assignee: **FUJIFILM Corporation**, Tokyo (JP)

(**) Term: **14 Years**

(21) Appl. No.: **29/525,975**

(22) Filed: **May 5, 2015**

(30) **Foreign Application Priority Data**

Nov. 11, 2014 (JP) 2014-025097

(51) **LOC (10) Cl.** **24-02**

(52) **U.S. Cl.**
USPC **D24/138**

(58) **Field of Classification Search**

USPC D24/107, 108, 110.6, 111-114, 117, 118,
D24/129, 130, 132-134, 135, 137, 138,
D24/222, 127, 140, 141, 143, 144, 148,
D24/160, 79, 216, 152-154, 164, 165,
D24/176, 170; D14/394, 395, 397, 333;
D13/162, 163, 171; D10/46, 49, 62;
D18/7, 12.2, 41

CPC . A61B 90/361; A61B 90/37; A61B 2090/378;
A61B 1/00133; A61B 1/015; A61B
1/041; A61B 1/045; A61B 1/051; A61B
1/0661; A61B 10/04; A61B 1/00121;
A61B 2090/3925; A61B 5/036

See application file for complete search history.

(56) **References Cited**

U.S. PATENT DOCUMENTS

D598,098 S * 8/2009 Tanaka D24/107
D598,100 S * 8/2009 Tanaka D24/107

D651,596 S * 1/2012 Cheng D14/257
D670,806 S * 11/2012 Hayamizu D24/138
D671,212 S * 11/2012 Tanaka D24/138
D673,144 S * 12/2012 Onoue D14/188
2004/0176685 A1* 9/2004 Takizawa A61B 1/00036
600/424

* cited by examiner

Primary Examiner — Robert M Spear

Assistant Examiner — Eliza Bennett-Hattan

(74) *Attorney, Agent, or Firm* — Young & Thompson

(57) **CLAIM**

The ornamental design for an ultrasonic control device for endoscope, as shown and described.

DESCRIPTION

FIG. 1 is a top, front and right side perspective view of an ultrasonic control device for endoscope showing my new design;

FIG. 2 is a front elevational view thereof;

FIG. 3 is a rear elevational view thereof;

FIG. 4 is a top plan view thereof;

FIG. 5 is a bottom plan view thereof;

FIG. 6 is a left side elevational view thereof;

FIG. 7 is a right side elevational view thereof;

FIG. 8 is a top, front and right side perspective view thereof in an open position; and,

FIG. 9 is a top, front and right side perspective view thereof in a manner of use.

The broken lines showing the portions in FIGS. 8 and 9 depict environmental subject matter only and form no part of the claimed design.

1 Claim, 7 Drawing Sheets

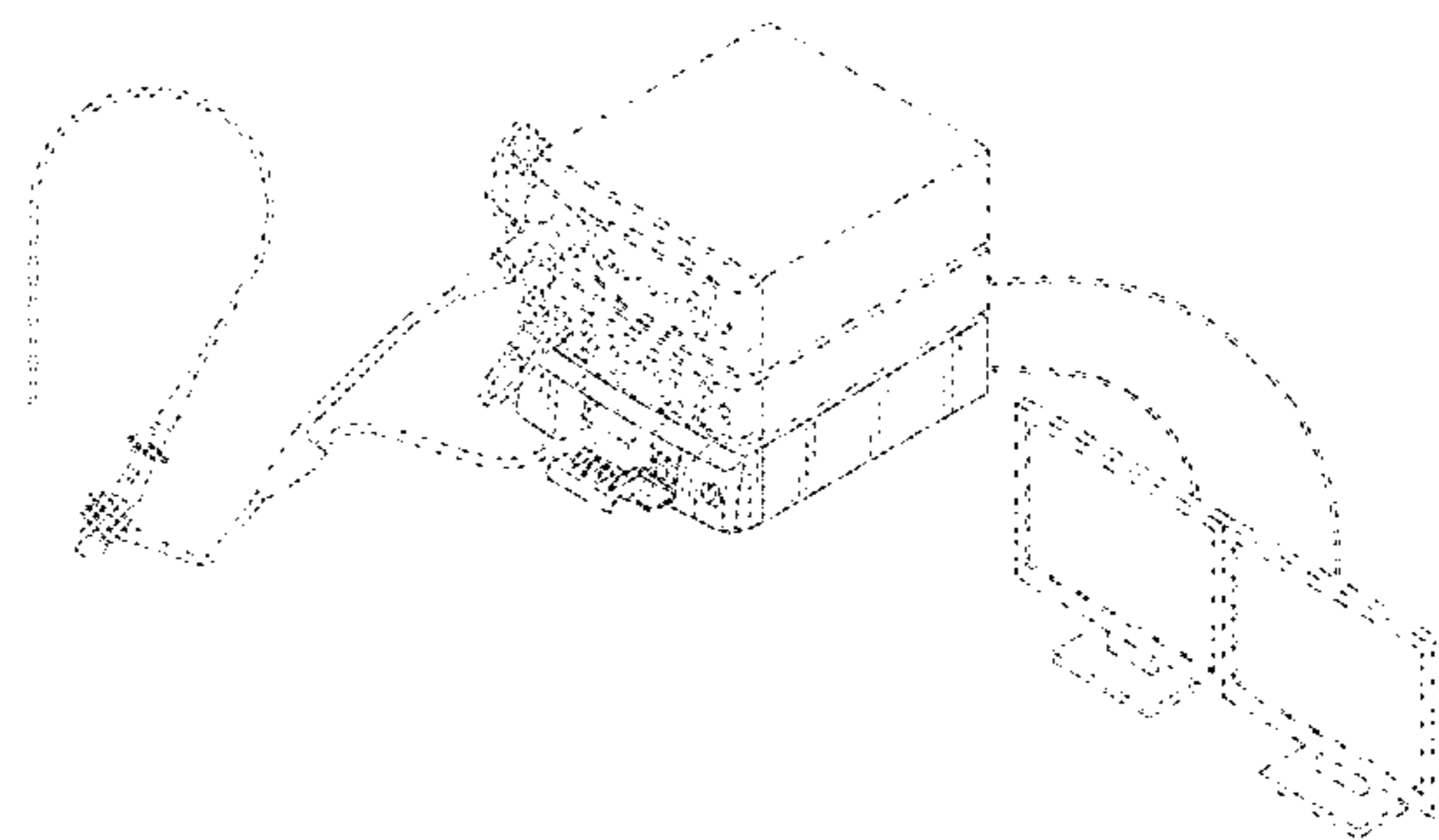
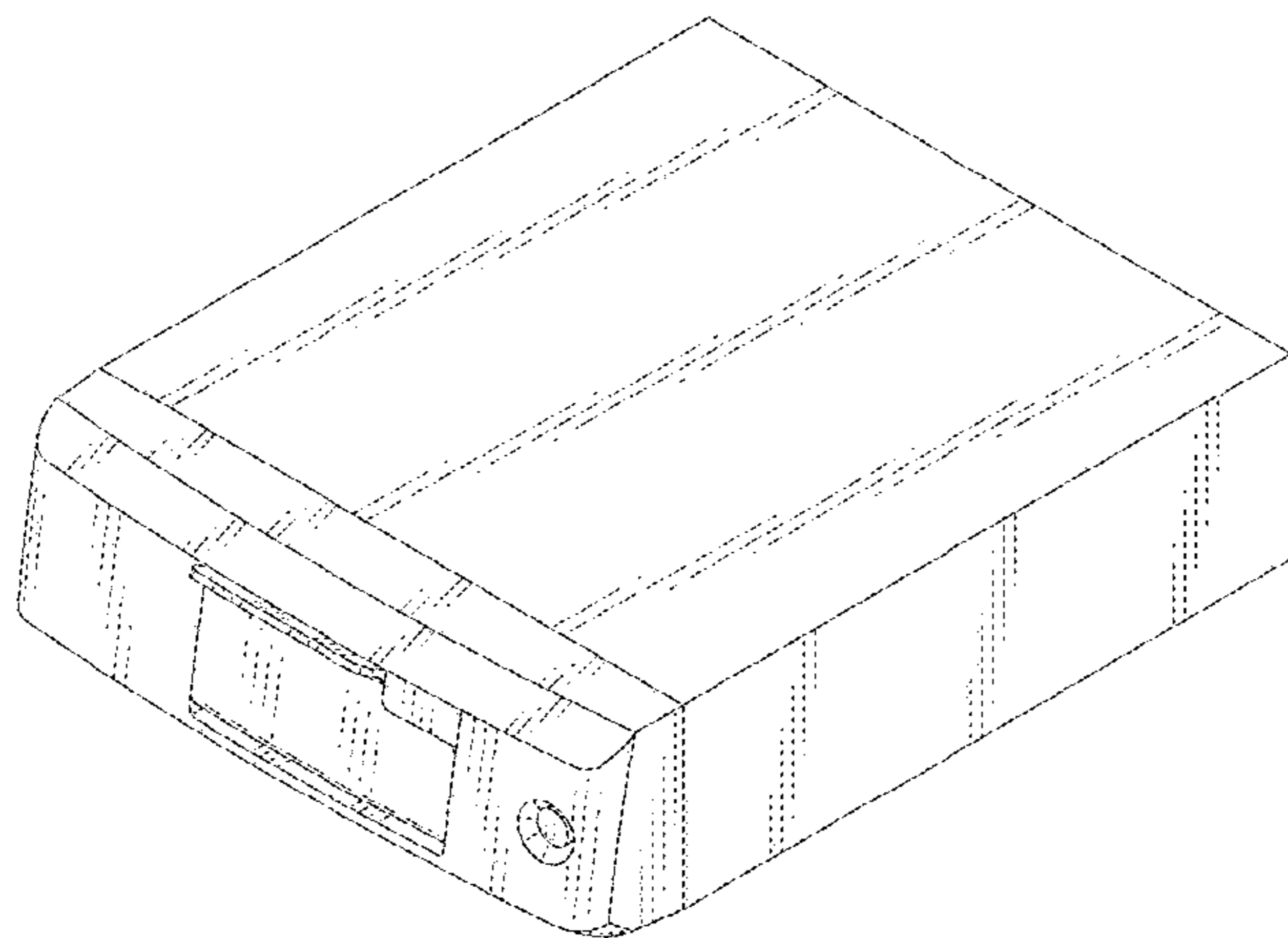


FIG. 1

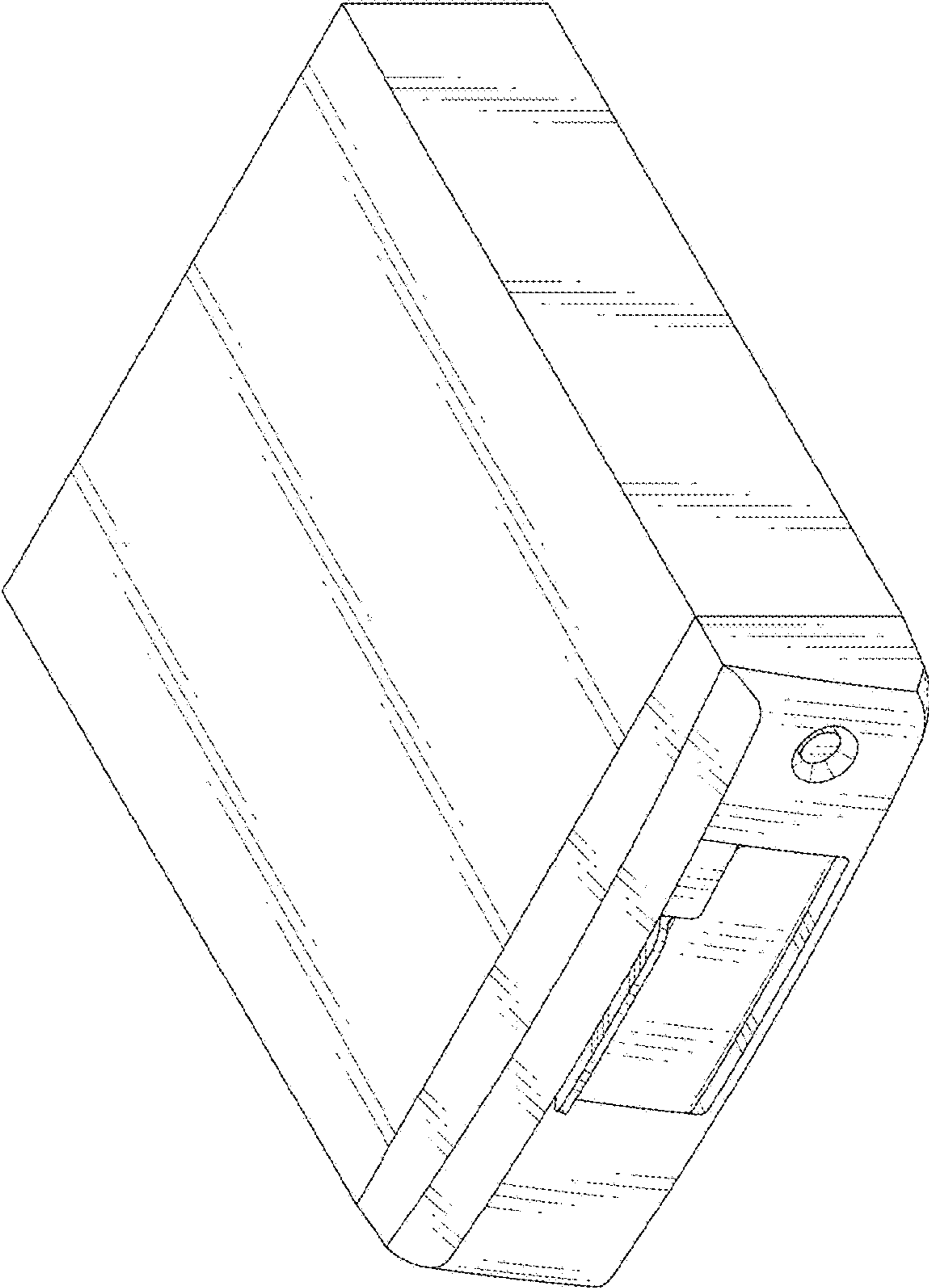


FIG. 2

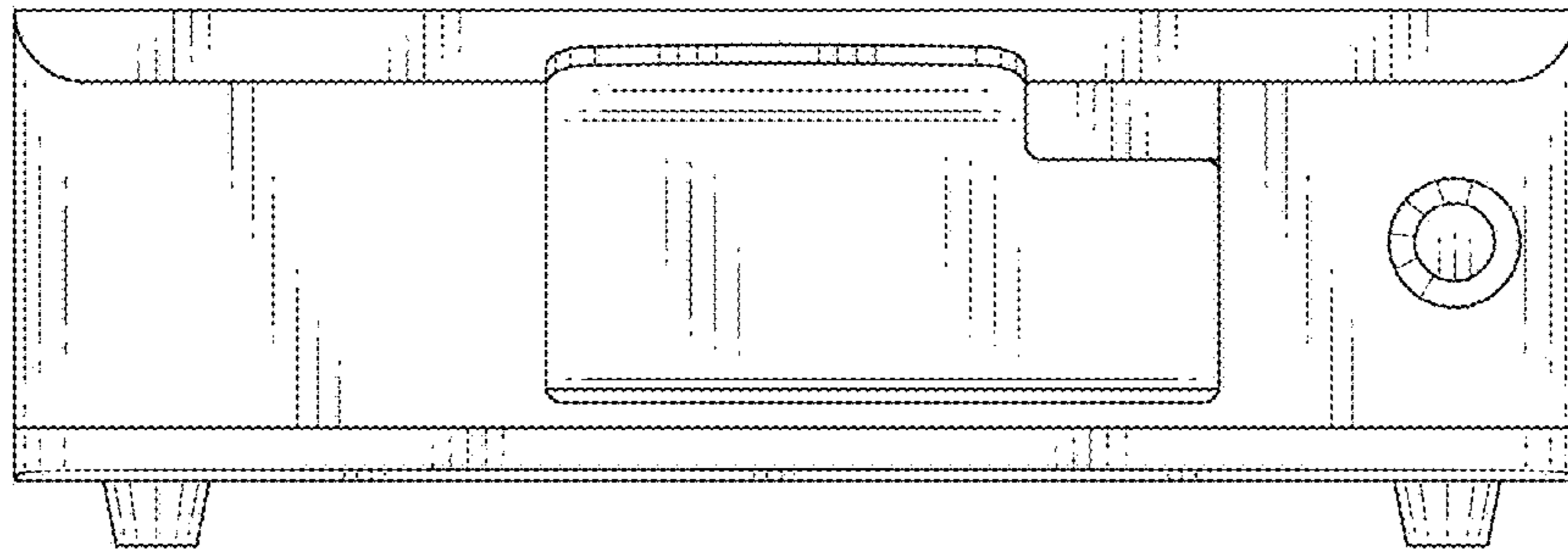


FIG. 3

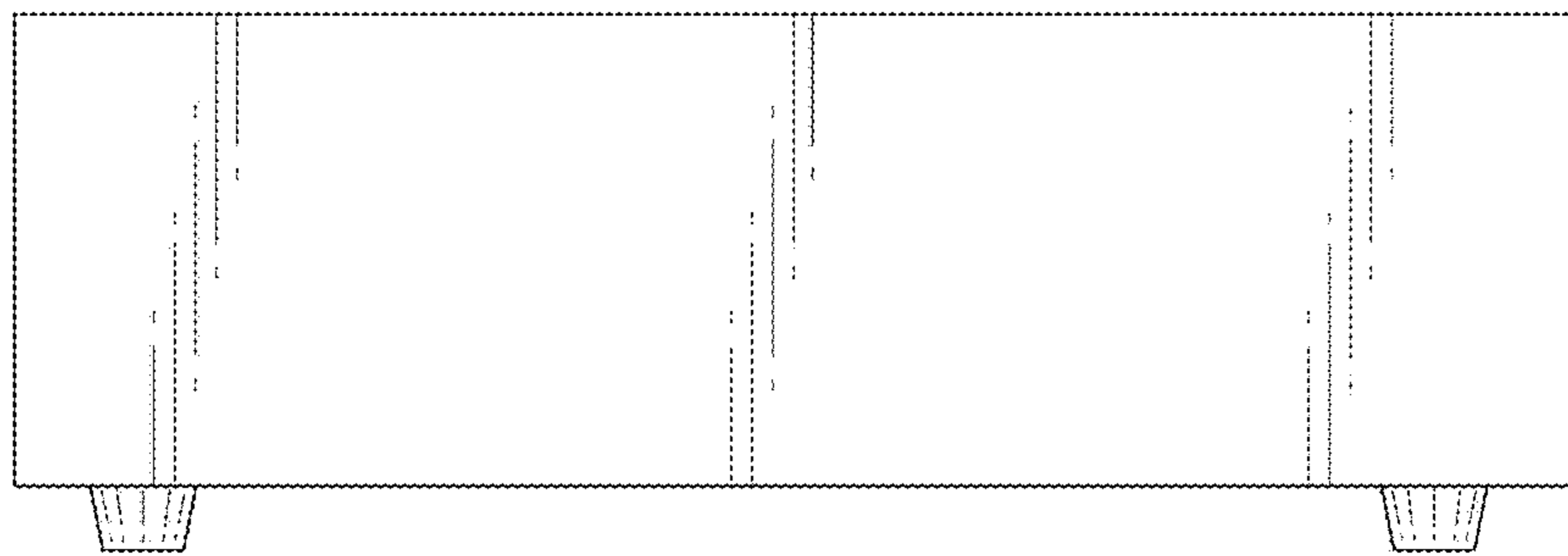


FIG. 4

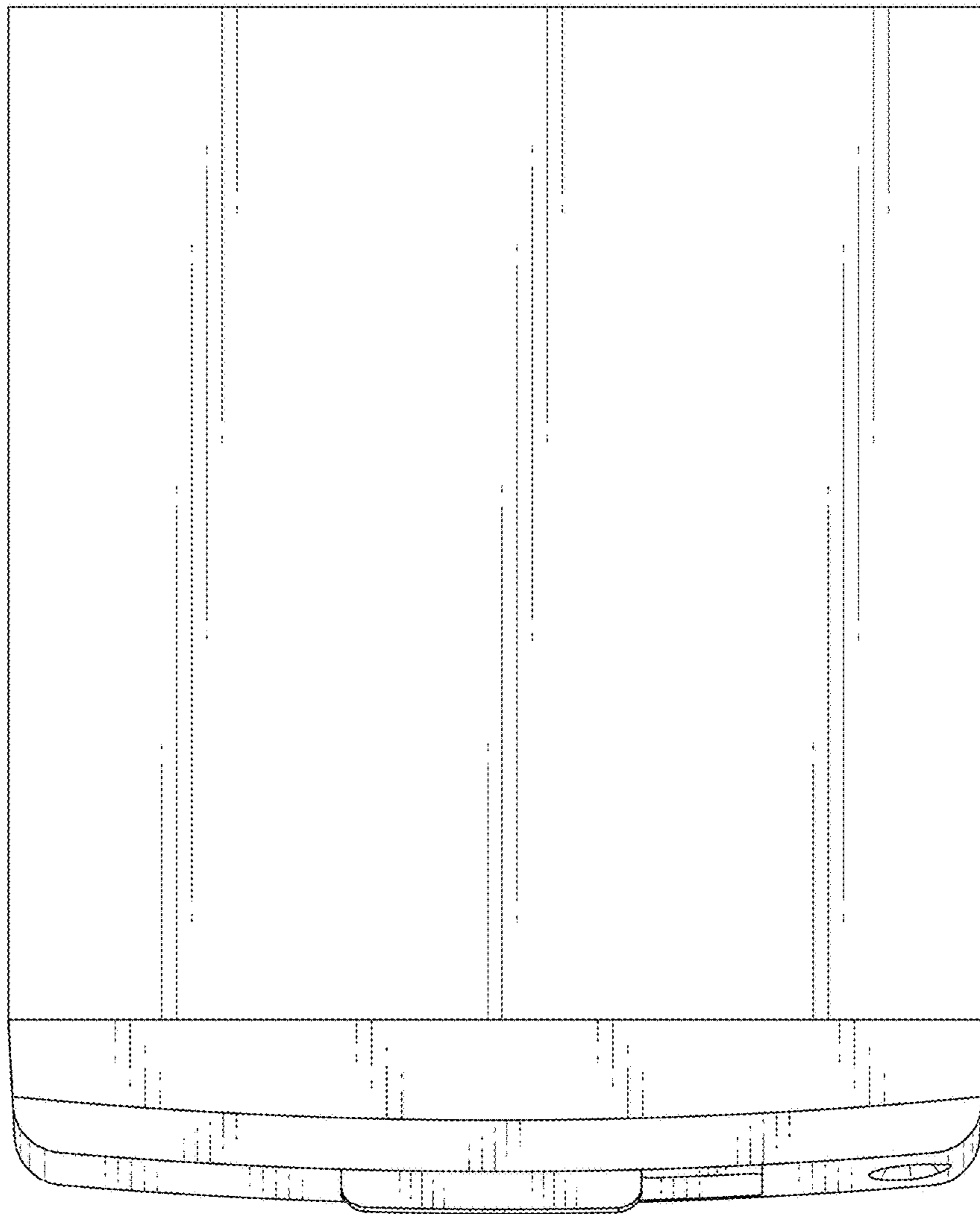


FIG. 5

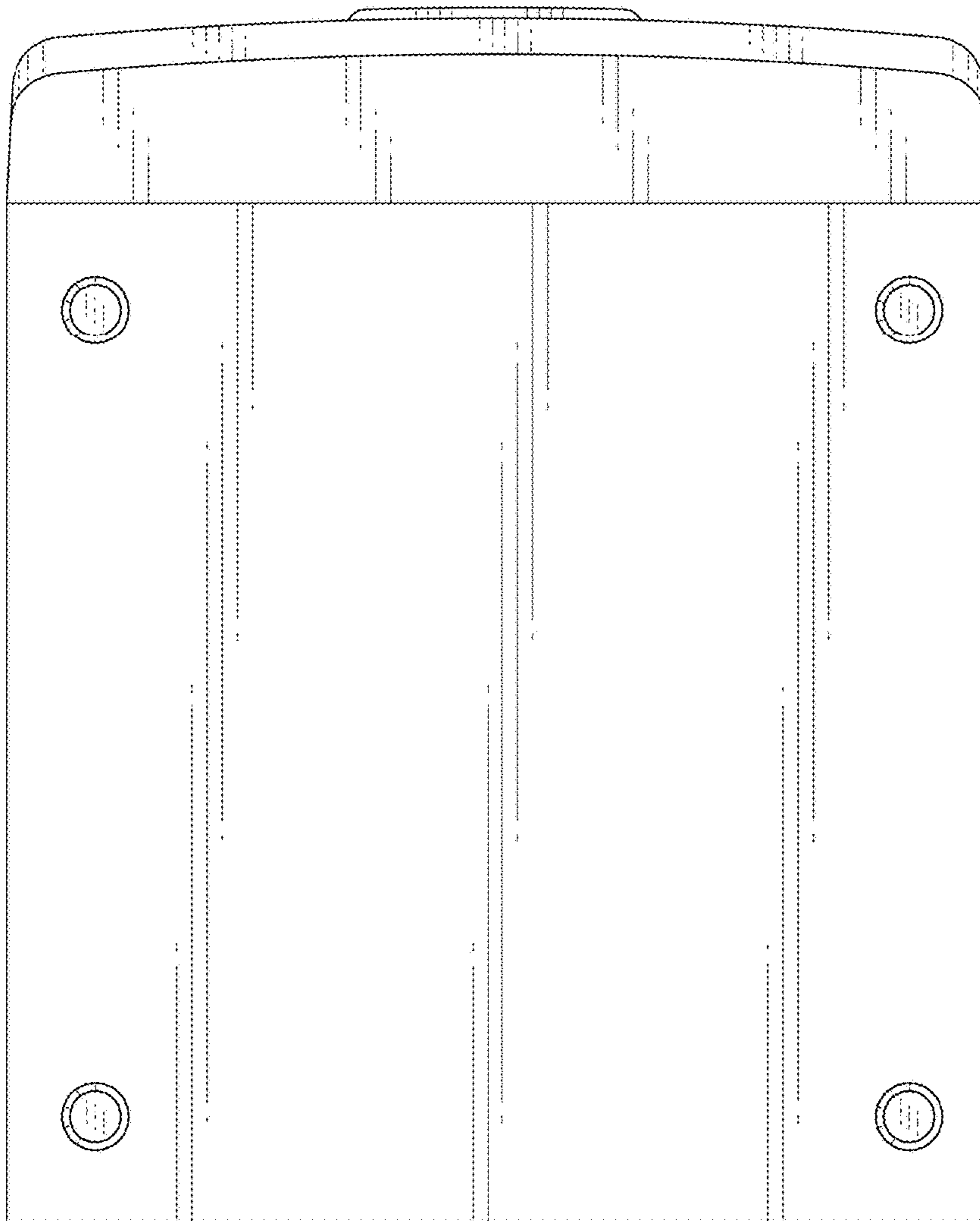


FIG. 6

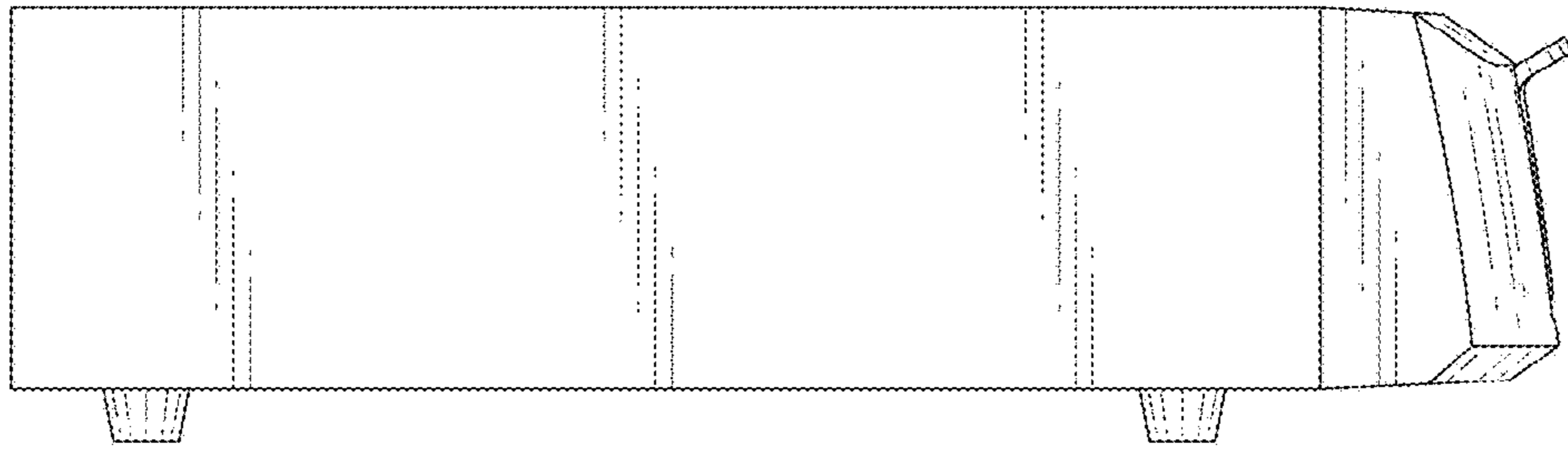


FIG. 7

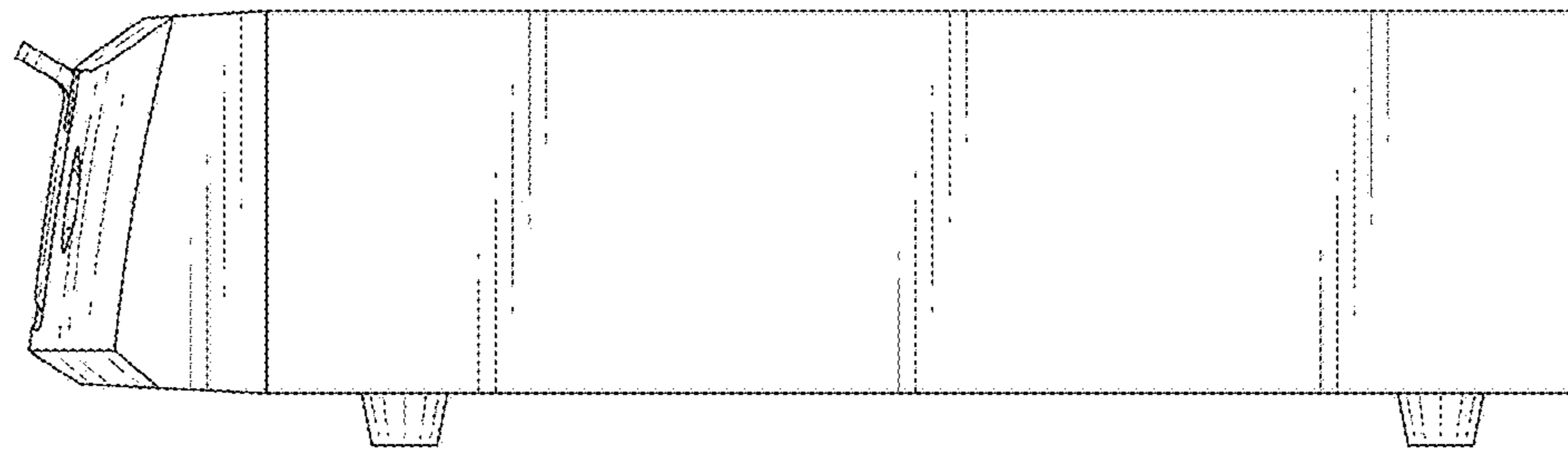


FIG. 8

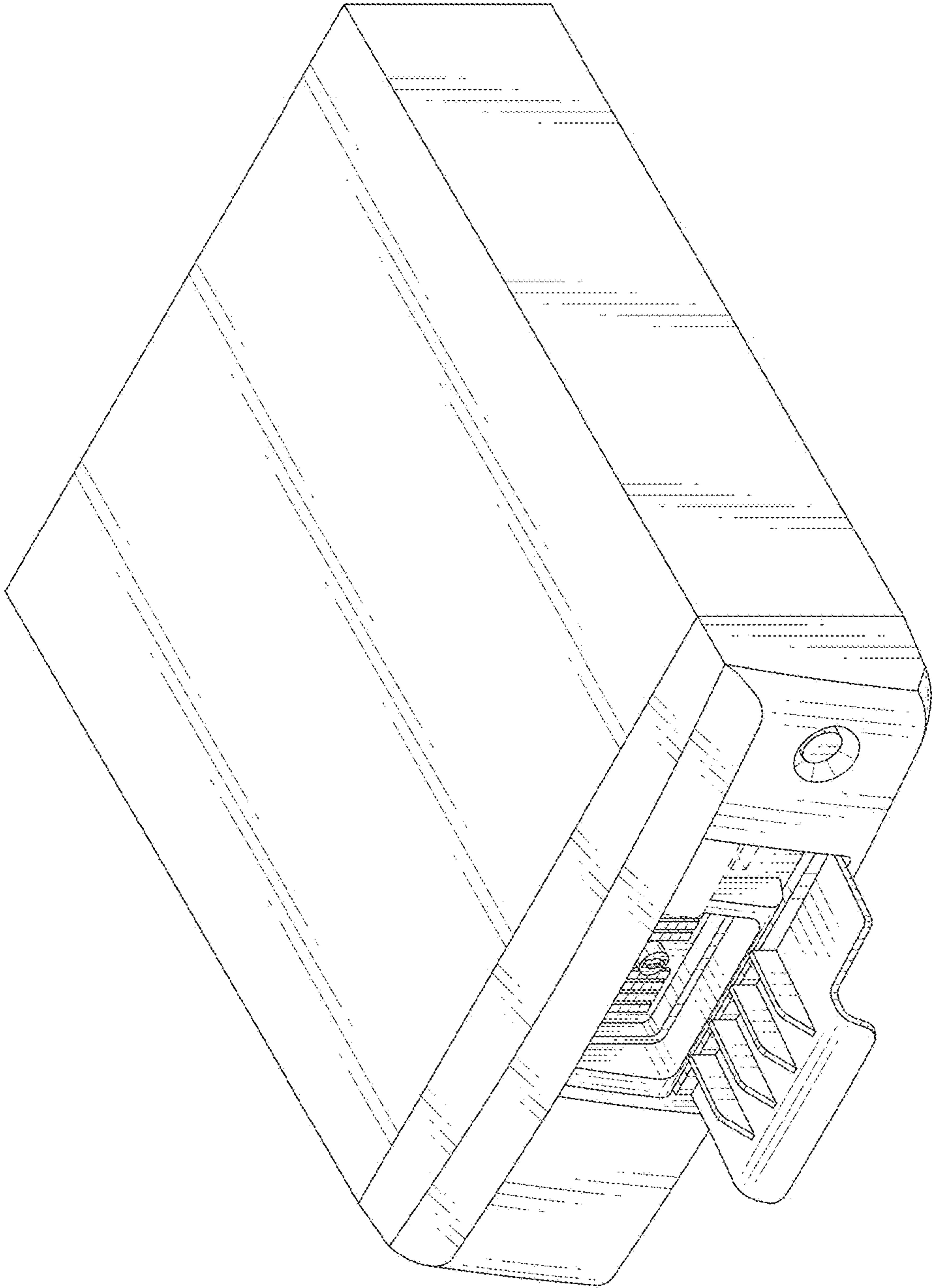


FIG. 9

