



US00D794188S

(12) **United States Design Patent** (10) **Patent No.:** **US D794,188 S**  
**Naglapura et al.** (45) **Date of Patent:** **\*\* Aug. 8, 2017**

(54) **STRIPPED SCREW EXTRACTOR**  
(71) Applicant: **Shukla Medical**, Piscataway, NJ (US)  
(72) Inventors: **Subramanya Naglapura**, Piscataway, NJ (US); **Alfred Litwak**, Piscataway, NJ (US)  
(73) Assignee: **Shukla Medical**, Piscataway, NJ (US)  
(\*\*) Term: **15 Years**  
(21) Appl. No.: **29/563,062**  
(22) Filed: **May 2, 2016**  
(51) **LOC (10) Cl.** ..... **24-02**  
(52) **U.S. Cl.**  
USPC ..... **D24/133; D8/86**  
(58) **Field of Classification Search**  
USPC ..... D24/108, 112, 113-114, 127, 133, 137, D24/138, 143, 145, 170, 186; 606/232, 606/60, 62, 67, 79, 82, 104, 144, 147; D23/355, 356; D15/139; D12/215; D22/146; D8/70, 82, 85-87  
CPC ..... A61B 17/0401; A61B 17/00; A61B 2017/0409; A61B 18/1402; A61B 18/00  
See application file for complete search history.

(56) **References Cited**  
U.S. PATENT DOCUMENTS  
3,263,533 A \* 8/1966 Carlson ..... B25B 27/18 81/441  
4,688,315 A \* 8/1987 Jannke ..... B25B 27/18 29/426.4  
6,565,573 B1 \* 5/2003 Ferrante ..... A61B 17/8888 606/308  
D622,847 S \* 8/2010 Berberich ..... D24/145  
D628,292 S \* 11/2010 Berberich ..... D24/145  
7,883,529 B2 \* 2/2011 Sinnott ..... A61B 17/0401 606/232

8,112,864 B2 \* 2/2012 Vincent ..... C22B 9/023 29/240  
8,403,957 B2 \* 3/2013 Martinek ..... A61B 17/0401 606/232  
D740,417 S \* 10/2015 Chavan ..... D24/145  
D740,418 S \* 10/2015 Chavan ..... D24/145  
D740,419 S \* 10/2015 Chavan ..... D24/145  
D747,477 S \* 1/2016 Freigang ..... D24/133  
D768,850 S \* 10/2016 Rozwadowski ..... D24/130  
2004/0093032 A1 \* 5/2004 Sinnott ..... A61B 17/0401 606/232  
2008/0243184 A1 \* 10/2008 Martinek ..... A61B 17/0401 606/232  
2009/0192546 A1 \* 7/2009 Schmieding ..... A61B 17/0401 606/232  
2009/0287220 A1 \* 11/2009 Kiester ..... A61B 17/8615 606/104

(Continued)

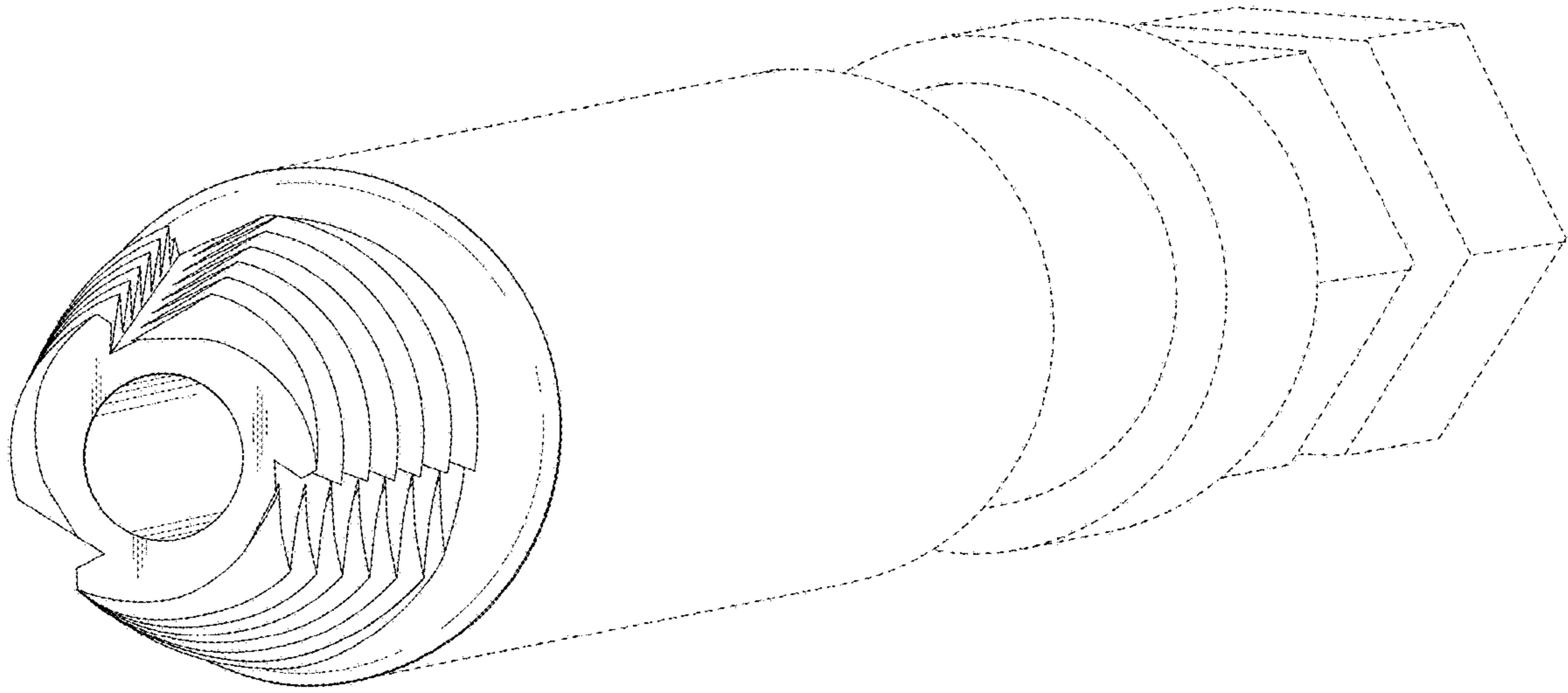
*Primary Examiner* — Rosemary K Tarcza  
*Assistant Examiner* — Yolanda Robinson  
(74) *Attorney, Agent, or Firm* — Kim Winston LLP

(57) **CLAIM**  
The ornamental design for a stripped screw extractor, as shown and described.

**DESCRIPTION**

FIG. 1 is a perspective view of a stripped screw extractor in accordance with the new design;  
FIG. 2 is a front view of the stripped screw extractor;  
FIG. 3 is a rear view of the stripped screw extractor;  
FIG. 4 is a top view of the stripped screw extractor;  
FIG. 5 is a bottom side view of the stripped screw extractor;  
FIG. 6 is a left side view of the stripped screw extractor; and,  
FIG. 7 is a right side view of the stripped screw extractor.  
The broken lines in FIGS. 1-7 illustrate portions of the stripped screw extractor which form no part of the claimed design.

**1 Claim, 4 Drawing Sheets**



(56)

**References Cited**

U.S. PATENT DOCUMENTS

2012/0083840 A1\* 4/2012 DiMatteo ..... A61B 17/0401  
606/232  
2013/0184748 A1\* 7/2013 Sojka ..... A61B 17/0401  
606/232  
2014/0277130 A1\* 9/2014 Housman ..... A61B 17/0401  
606/232  
2015/0327984 A1\* 11/2015 Arai ..... A61B 17/0401  
606/232  
2017/0014224 A1\* 1/2017 Arai ..... A61B 17/0401  
2017/0042585 A1\* 2/2017 Ramsay ..... A61B 17/1735  
2017/0049433 A1\* 2/2017 Terry ..... A61B 17/0401

\* cited by examiner

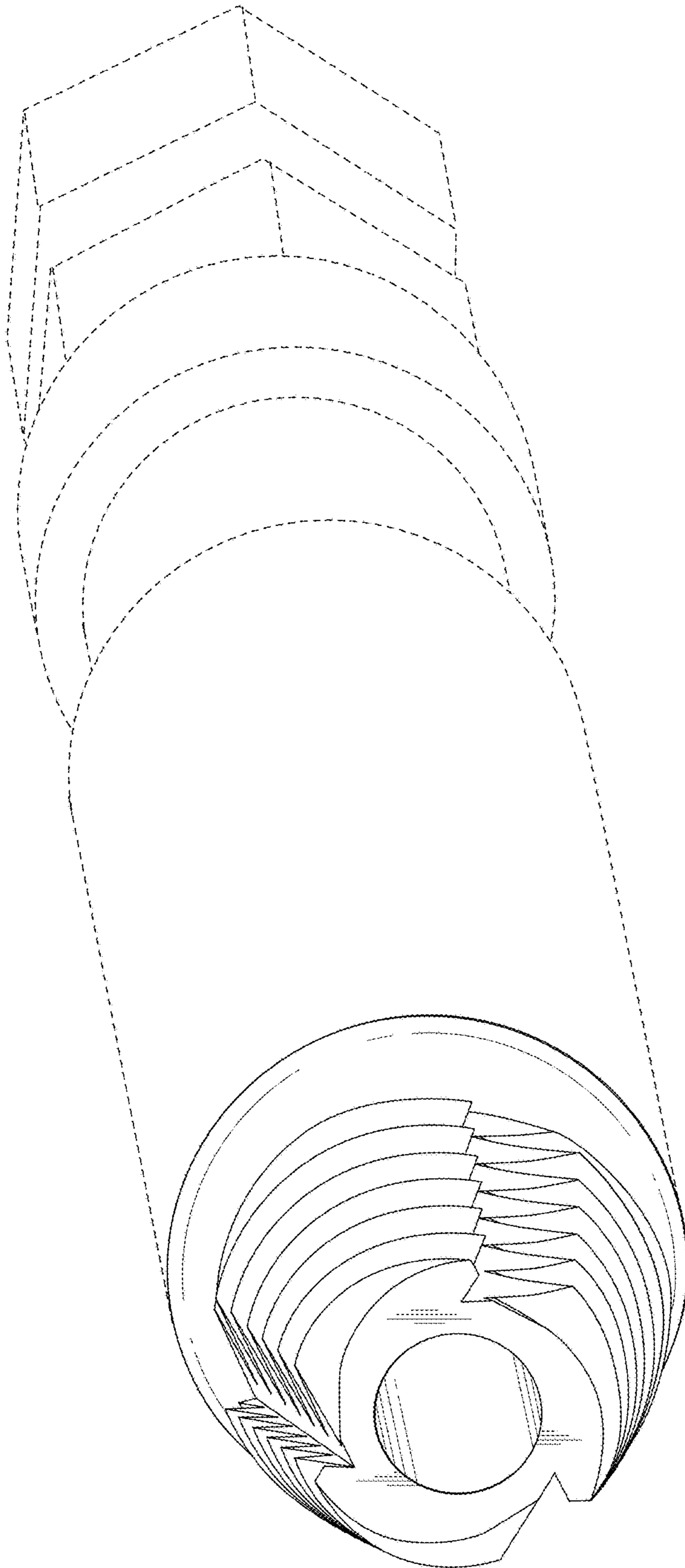


FIG. 1

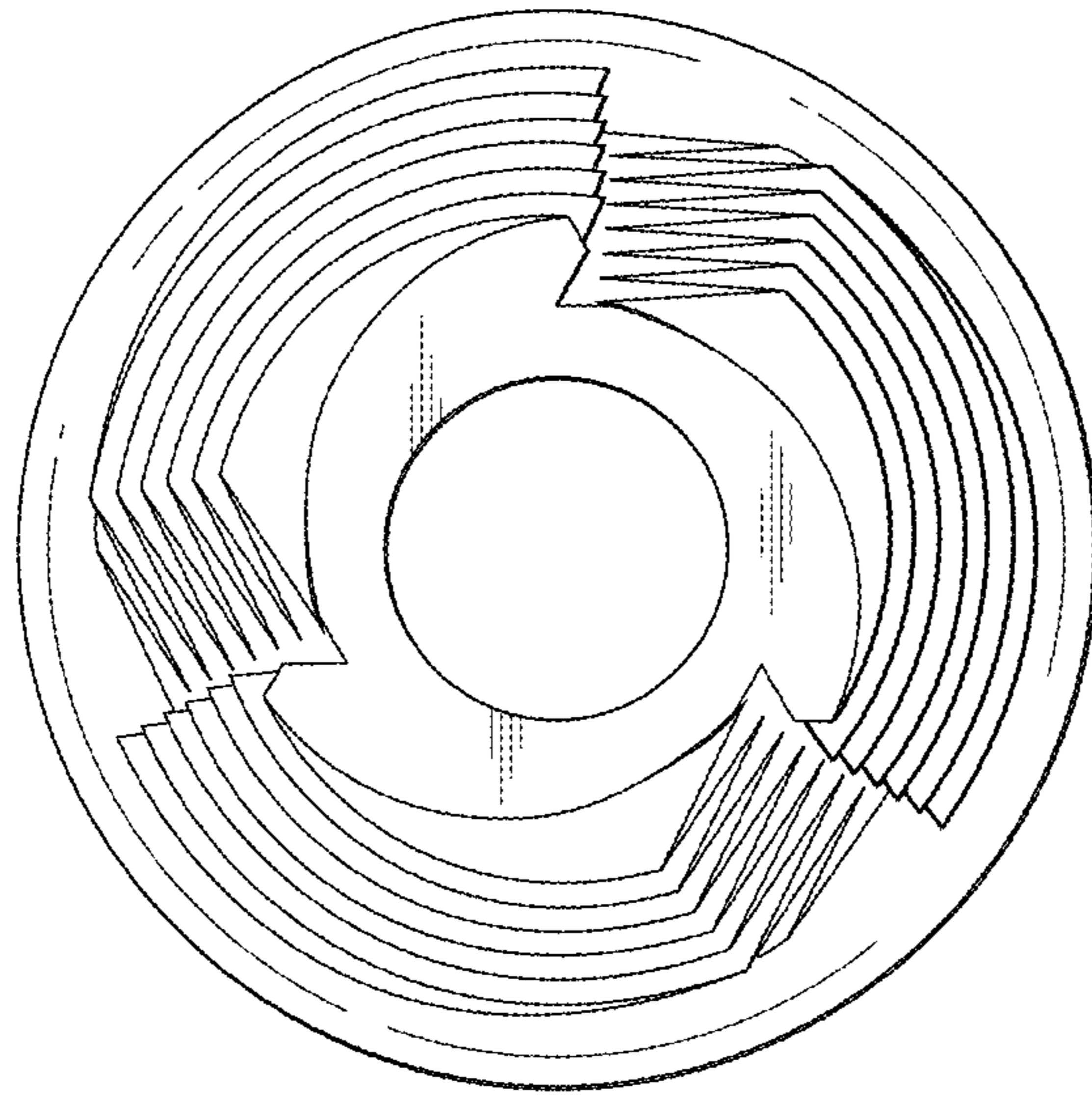


FIG. 2

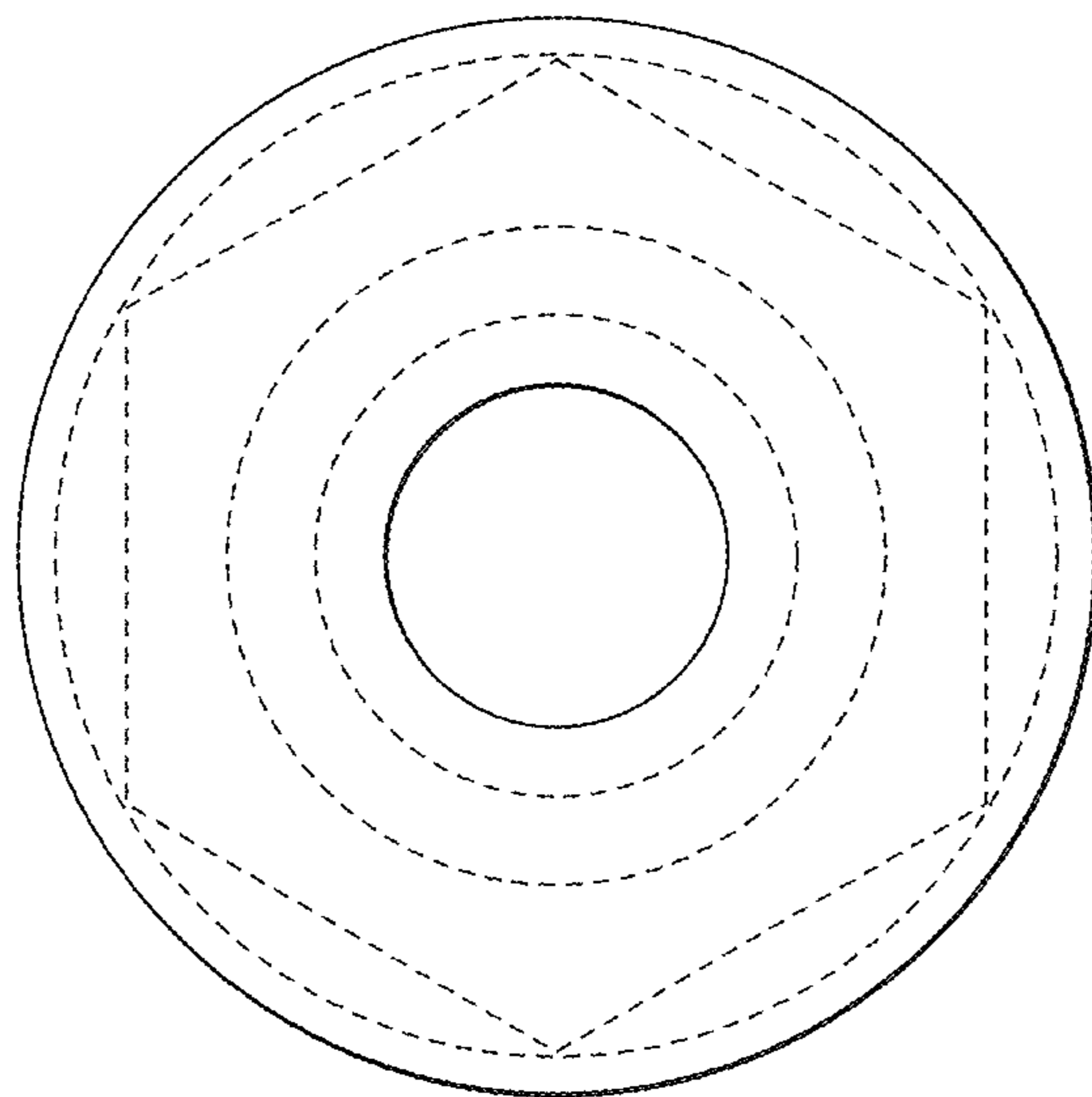


FIG. 3

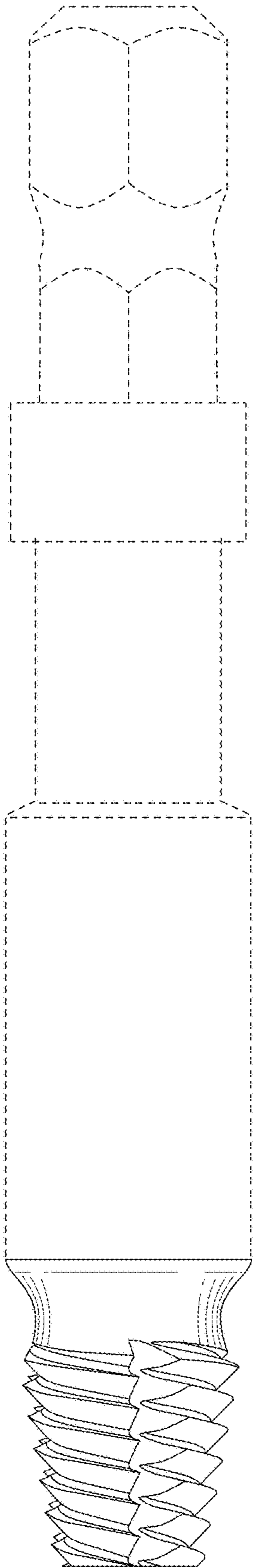


FIG. 4

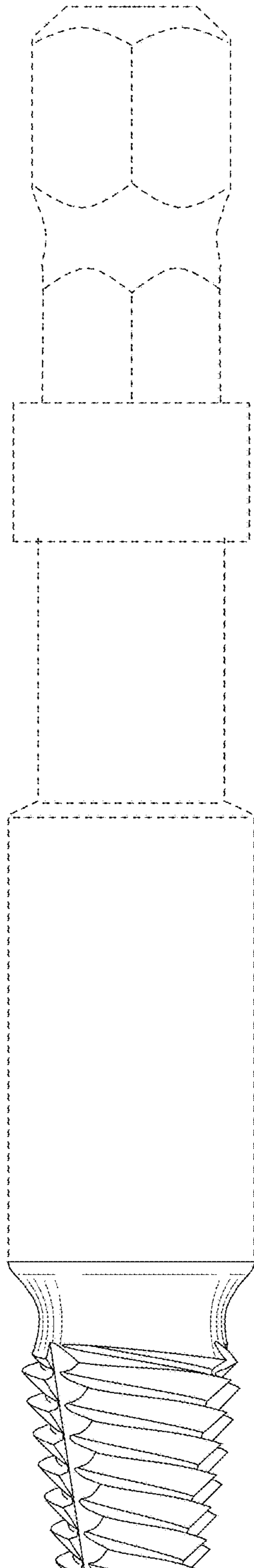


FIG. 5

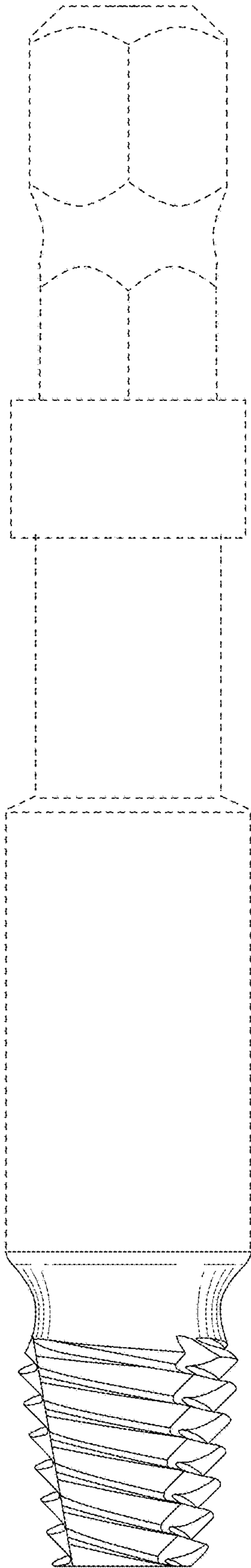


FIG. 6

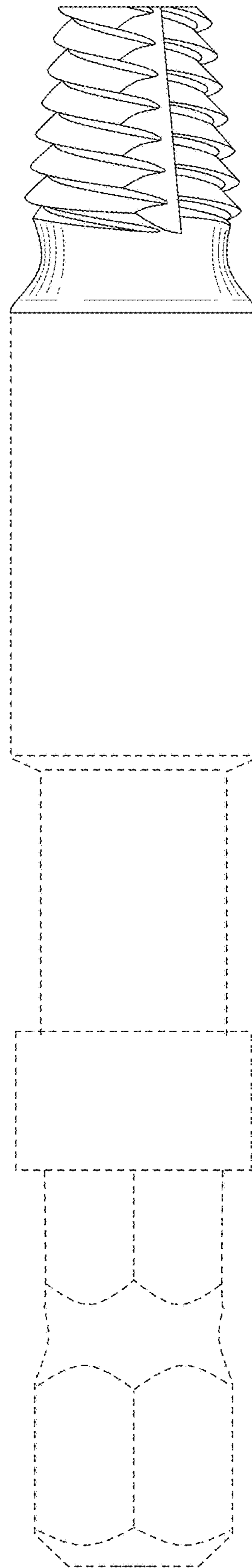


FIG. 7