



US00D794187S

(12) **United States Design Patent** (10) **Patent No.:** **US D794,187 S**  
**Dolk et al.** (45) **Date of Patent:** **\*\* Aug. 8, 2017**

(54) **SYRINGE PART**

(71) Applicant: **Q-MED AB**, Uppsala (SE)

(72) Inventors: **Jonas Dolk**, Uppsala (SE); **Hans Himbert**, Uppsala (SE); **Pelle Reinius**, Uppsala (SE)

(73) Assignee: **Q-MED AB**, Uppsala (SE)

(\*\*) Term: **15 Years**

(21) Appl. No.: **29/562,939**

(22) Filed: **Apr. 29, 2016**

**Related U.S. Application Data**

(62) Division of application No. 29/475,140, filed on Nov. 29, 2013.

(30) **Foreign Application Priority Data**

Jun. 17, 2013 (EM) ..... 002256255

(51) **LOC (10) Cl.** ..... **24-01**

(52) **U.S. Cl.**  
USPC ..... **D24/130**

(58) **Field of Classification Search**  
USPC ..... D24/130, 112-114, 133, 186, 104, 127;  
606/181, 185; 604/264, 272, 115, 232,  
604/187, 158, 164.08, 192, 263, 163, 181,  
604/184, 198, 227  
CPC ..... A61M 5/31596; A61M 2005/1787; A61M  
2005/31508; A61M 5/31511; A61M  
2005/3121; A61M 2005/31598; A61M  
2005/3123  
See application file for complete search history.

(56) **References Cited**

**U.S. PATENT DOCUMENTS**

D287,877 S 1/1987 Holewinski et al.  
5,607,399 A \* 3/1997 Grimard ..... A61M 5/315  
604/220

D397,790 S 9/1998 Naganuma  
D401,324 S 11/1998 Hjertman et al.  
D425,198 S 5/2000 Porta  
D436,661 S 1/2001 Berry  
D447,797 S \* 9/2001 Odell ..... D24/112  
6,425,885 B1 7/2002 Fischer et al.  
6,530,906 B2 3/2003 Hu  
D543,278 S 5/2007 Numata et al.  
D574,954 S 8/2008 Smith  
D581,044 S 11/2008 Sudo et al.  
D581,527 S 11/2008 Jansen  
D618,347 S 6/2010 Bradshaw  
D627,877 S 11/2010 Schmelling et al.  
D651,309 S 12/2011 Rowe et al.  
D657,867 S 4/2012 Effenberger  
D668,760 S 10/2012 Kawamura

(Continued)

*Primary Examiner* — David Muller

*Assistant Examiner* — Nathan Johnston

(74) *Attorney, Agent, or Firm* — Birch, Stewart, Kolasch & Birch, LLP

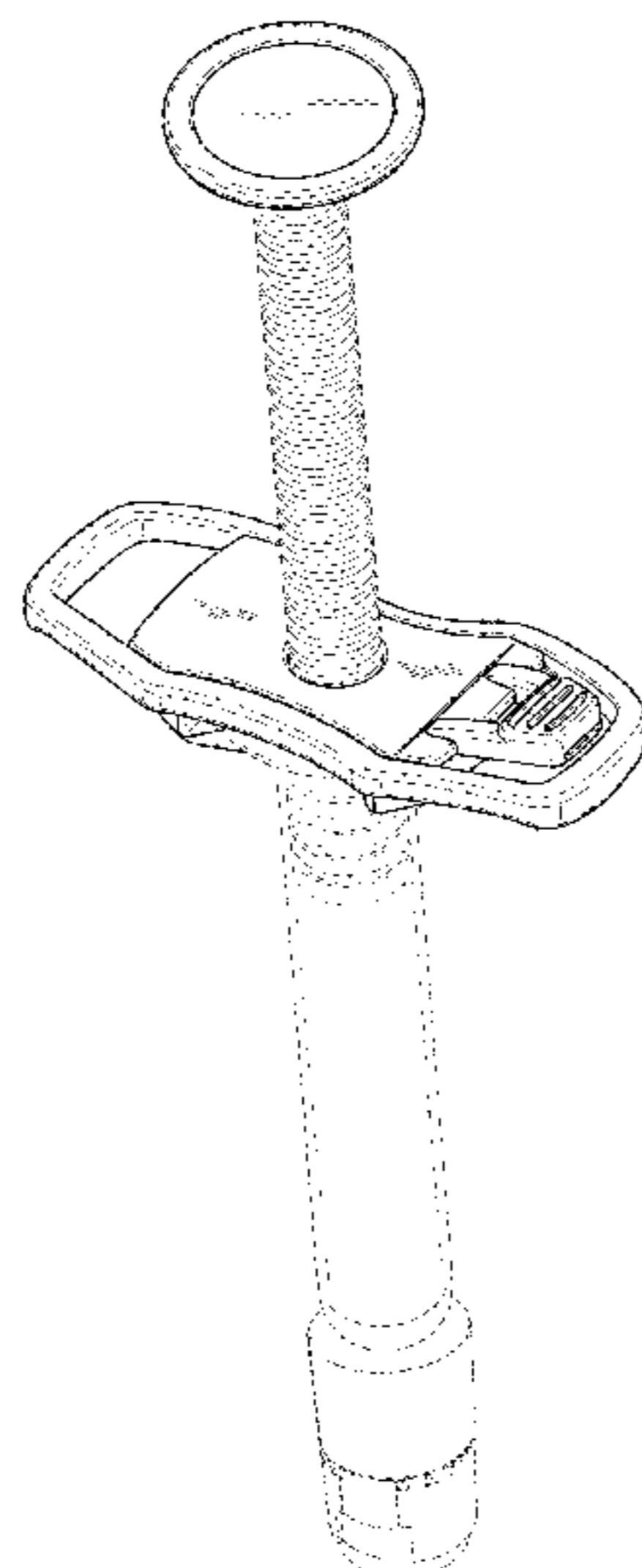
(57) **CLAIM**

The ornamental design for a syringe part, as shown and described.

**DESCRIPTION**

FIG. 1 is a top, front, right perspective view of a syringe part showing our new design;  
FIG. 2 is a rear elevation view thereof;  
FIG. 3 is a front elevation view thereof;  
FIG. 4 is a bottom plan view thereof;  
FIG. 5 is a top plan view thereof;  
FIG. 6 is a right side elevation view thereof; and,  
FIG. 7 is a left side elevation view thereof.  
The portions of the drawings illustrated in broken lines are directed to the environment and form no part of the claimed design.

**1 Claim, 7 Drawing Sheets**



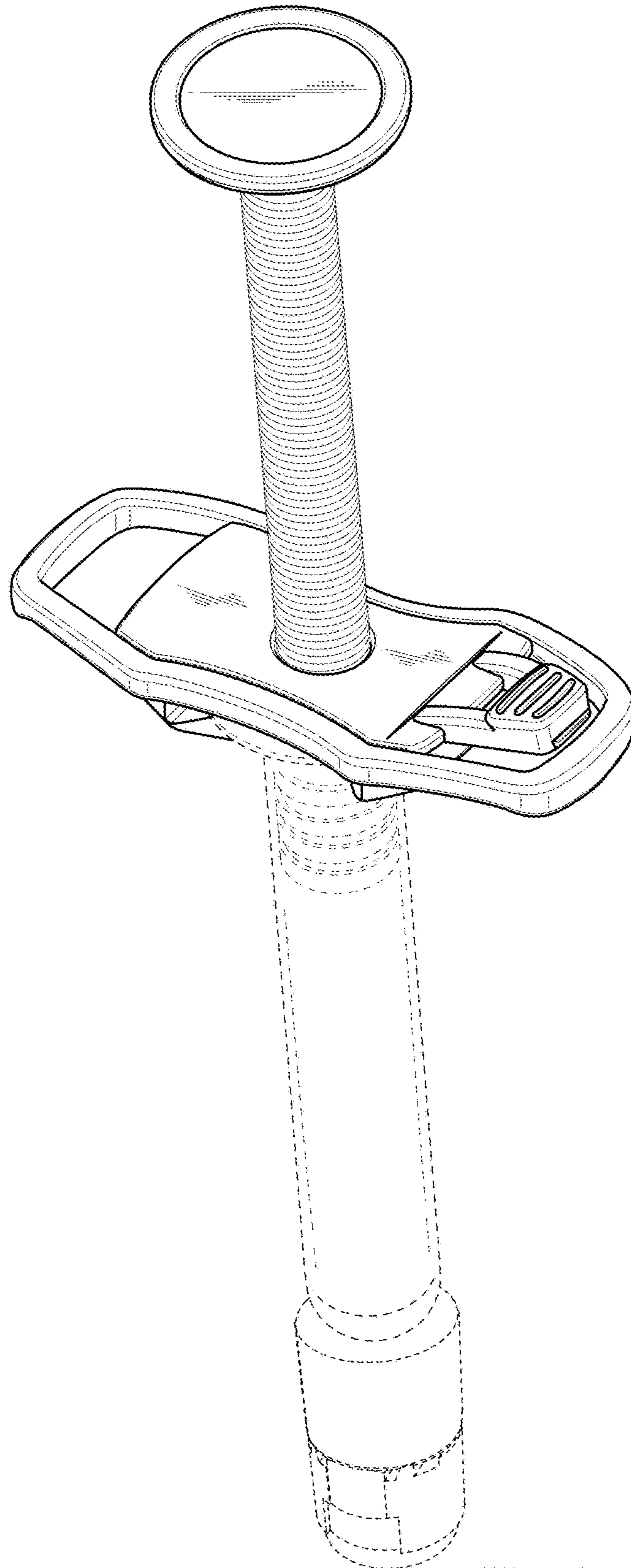
(56)

**References Cited**

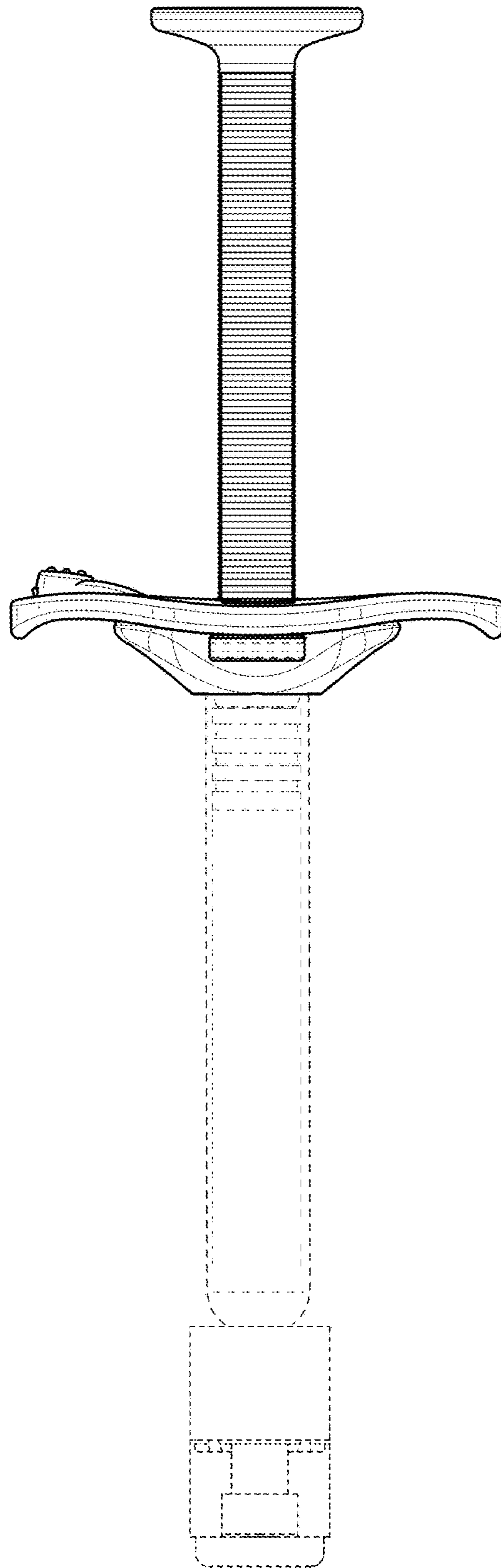
## U.S. PATENT DOCUMENTS

|              |      |         |                    |                         |
|--------------|------|---------|--------------------|-------------------------|
| 8,337,468    | B1   | 12/2012 | Reis et al.        |                         |
| D674,086     | S    | 1/2013  | Khalaj             |                         |
| D689,188     | S    | 9/2013  | Lundquist          |                         |
| D698,918     | S    | 2/2014  | Leiner et al.      |                         |
| D717,429     | S    | 11/2014 | Kawamura           |                         |
| D721,803     | S    | 1/2015  | Dubach             |                         |
| D741,476     | S *  | 10/2015 | Hiraoka .....      | D24/114                 |
| D743,025     | S *  | 11/2015 | Berler .....       | D24/114                 |
| 9,289,562    | B2 * | 3/2016  | Thorne, Jr. ....   | A61M 5/31596            |
| 9,345,866    | B2 * | 5/2016  | Kubo .....         | A61M 15/08              |
| 2006/0084917 | A1   | 4/2006  | Chen               |                         |
| 2013/0096493 | A1 * | 4/2013  | Kubo .....         | A61M 3/0262<br>604/58   |
| 2013/0116628 | A1   | 5/2013  | Kulshrestha et al. |                         |
| 2013/0237928 | A1 * | 9/2013  | Fisher .....       | A61M 5/158<br>604/263   |
| 2014/0005610 | A1 * | 1/2014  | Kakiuchi .....     | A61M 5/284<br>604/224   |
| 2015/0018798 | A1   | 1/2015  | Törnsten           |                         |
| 2015/0073353 | A1   | 3/2015  | Strader            |                         |
| 2016/0038682 | A1 * | 2/2016  | Tornsten .....     | A61M 5/31595<br>604/227 |
| 2016/0166770 | A1 * | 6/2016  | Salas .....        | A61M 5/3137<br>604/192  |
| 2016/0184529 | A1 * | 6/2016  | Okihara .....      | A61M 5/28<br>604/199    |
| 2016/0325047 | A1 * | 11/2016 | Vedrine .....      | A61M 5/24               |

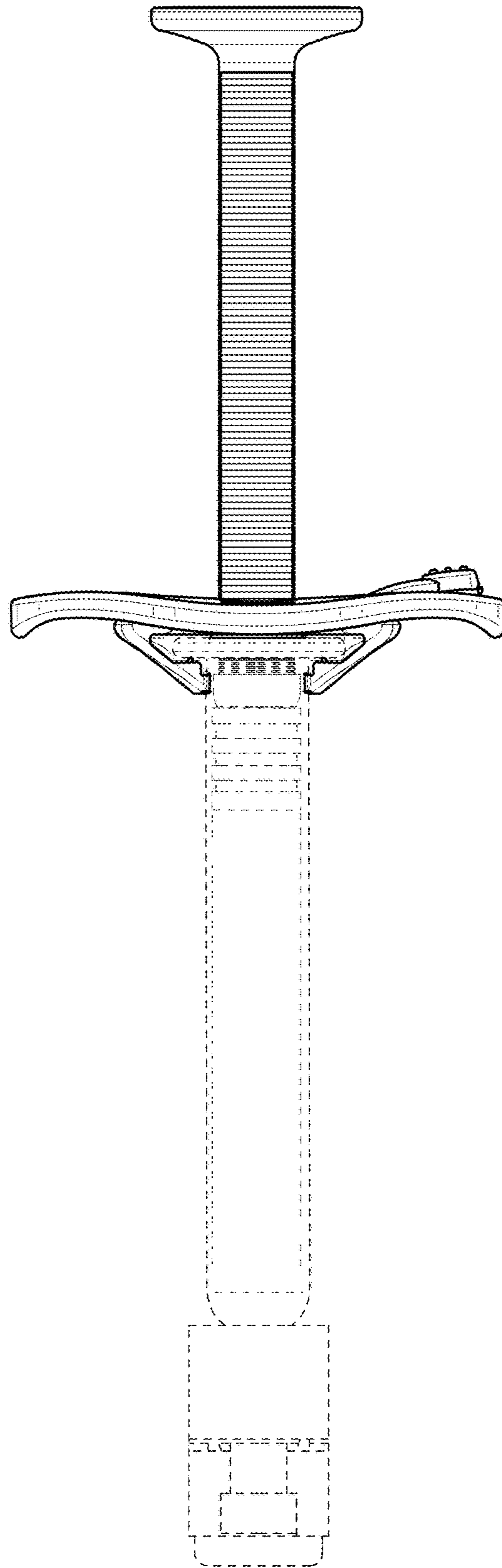
\* cited by examiner



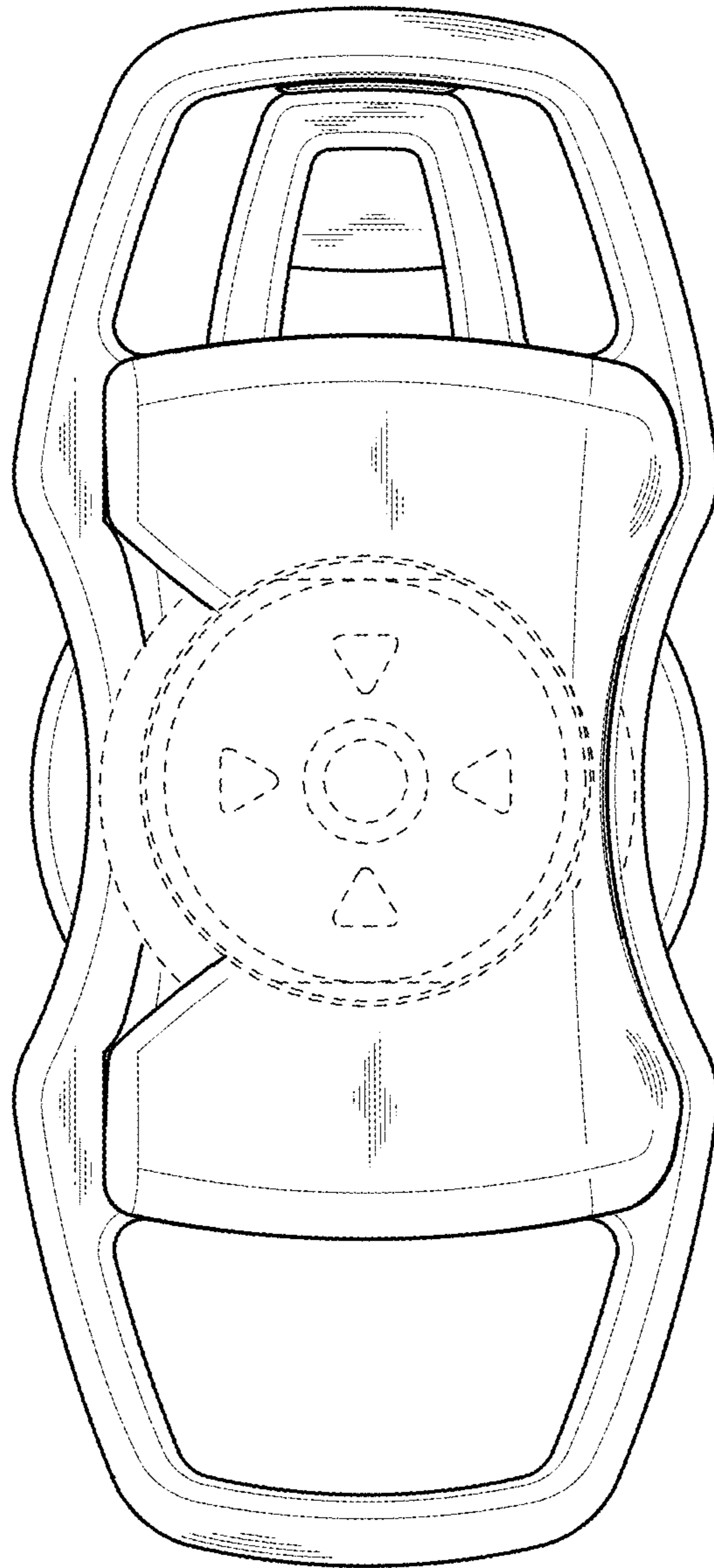
**Fig. 1**



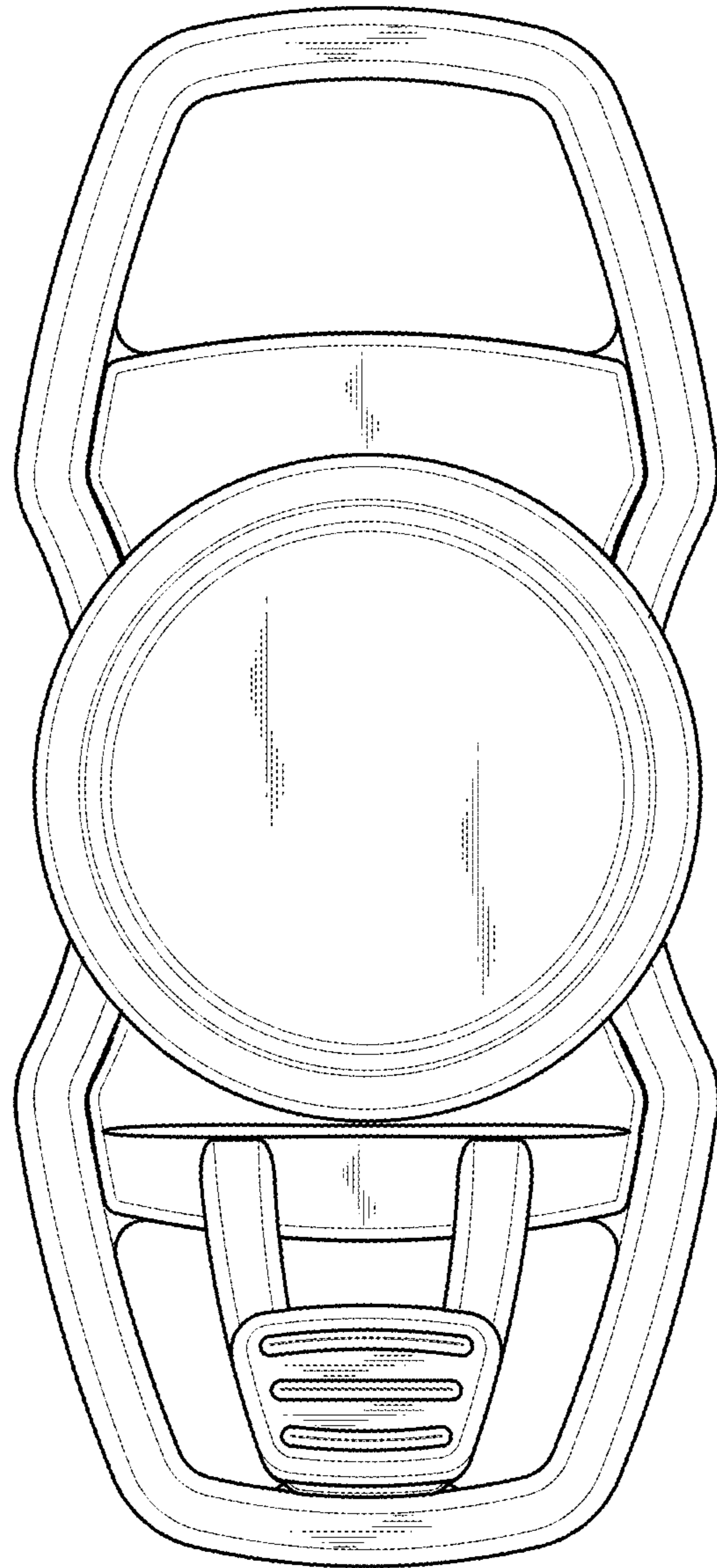
**Fig. 2**



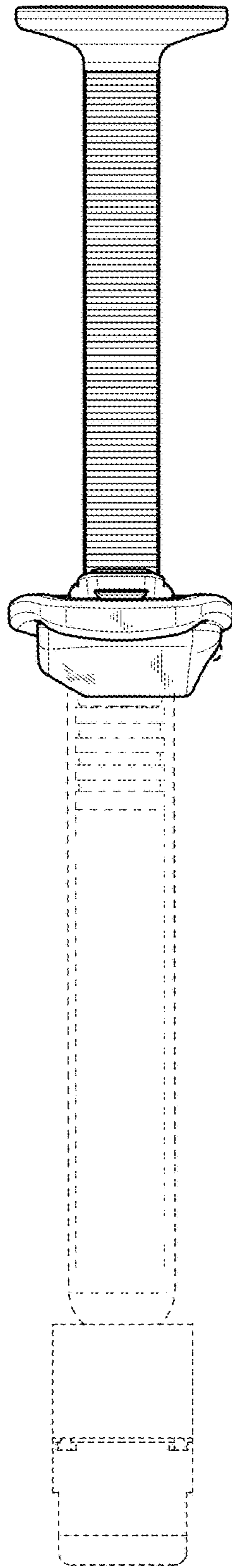
**Fig. 3**



**Fig. 4**

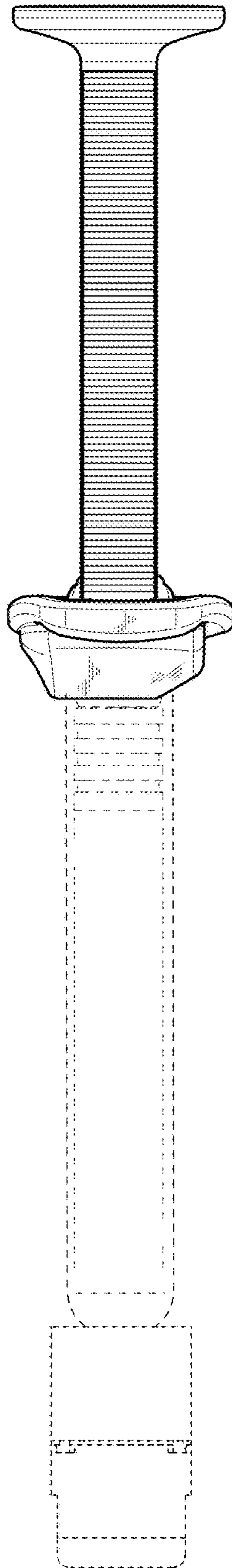


**Fig. 5**



**Fig. 6**





**Fig. 7**