



US00D794184S

(12) **United States Design Patent** (10) **Patent No.:** **US D794,184 S**  
**Smith et al.** (45) **Date of Patent:** **\*\* Aug. 8, 2017**

(54) **CATHETER CONNECTOR**  
(71) Applicant: **Laborie Medical Technologies, Corp.**,  
Mississauga (CA)  
(72) Inventors: **Steven Smith**, Draper, UT (US); **Bryce Smith**, Sandy, UT (US); **Landon Smith**, Provo, UT (US)  
(73) Assignee: **Laborie Medical Technologies, Corp.**,  
Mississauga, Ontario (CA)  
(\*\*) Term: **15 Years**  
(21) Appl. No.: **29/557,730**  
(22) Filed: **Mar. 11, 2016**  
(51) **LOC (10) Cl.** ..... **24-02**  
(52) **U.S. Cl.**  
USPC ..... **D24/129**  
(58) **Field of Classification Search**  
USPC ..... D24/127-131, 112-114, 133, 186;  
606/181, 185; 604/264, 523-528, 272,  
604/187, 158, 164.01-164.11, 181, 184,  
604/227; 600/101, 139, 143;  
128/200.24, 207.14, 207.15  
CPC ..... A61M 25/00; A61M 39/00; A61M 27/00;  
A61M 25/0043; A61M 25/0067; A61M  
25/0097; A61F 2/958  
See application file for complete search history.

D518,573 S \* 4/2006 French ..... D24/113  
D606,194 S \* 12/2009 Frey ..... D24/108  
7,654,967 B2 2/2010 Bobo, Sr.  
D634,007 S \* 3/2011 Zinger ..... D24/129  
D640,787 S \* 6/2011 Chia ..... D24/130  
D641,080 S \* 7/2011 Zinger ..... D24/129  
8,226,614 B2 \* 7/2012 Turner ..... A61K 9/0019  
604/164.04  
D673,674 S \* 1/2013 Ho ..... D24/129  
8,360,988 B2 1/2013 Bobo, Sr. et al.  
D689,187 S \* 9/2013 Kruger ..... D24/127  
8,784,383 B2 \* 7/2014 Cole ..... A61M 5/158  
604/164.01  
8,876,729 B2 11/2014 Bobo, Sr. et al.  
D737,436 S \* 8/2015 Lev ..... D24/129  
2002/0169382 A1 11/2002 Bobo, Sr.

\* cited by examiner

*Primary Examiner* — David Muller  
(74) *Attorney, Agent, or Firm* — Fredrikson & Byron,  
P.A.

(57) **CLAIM**

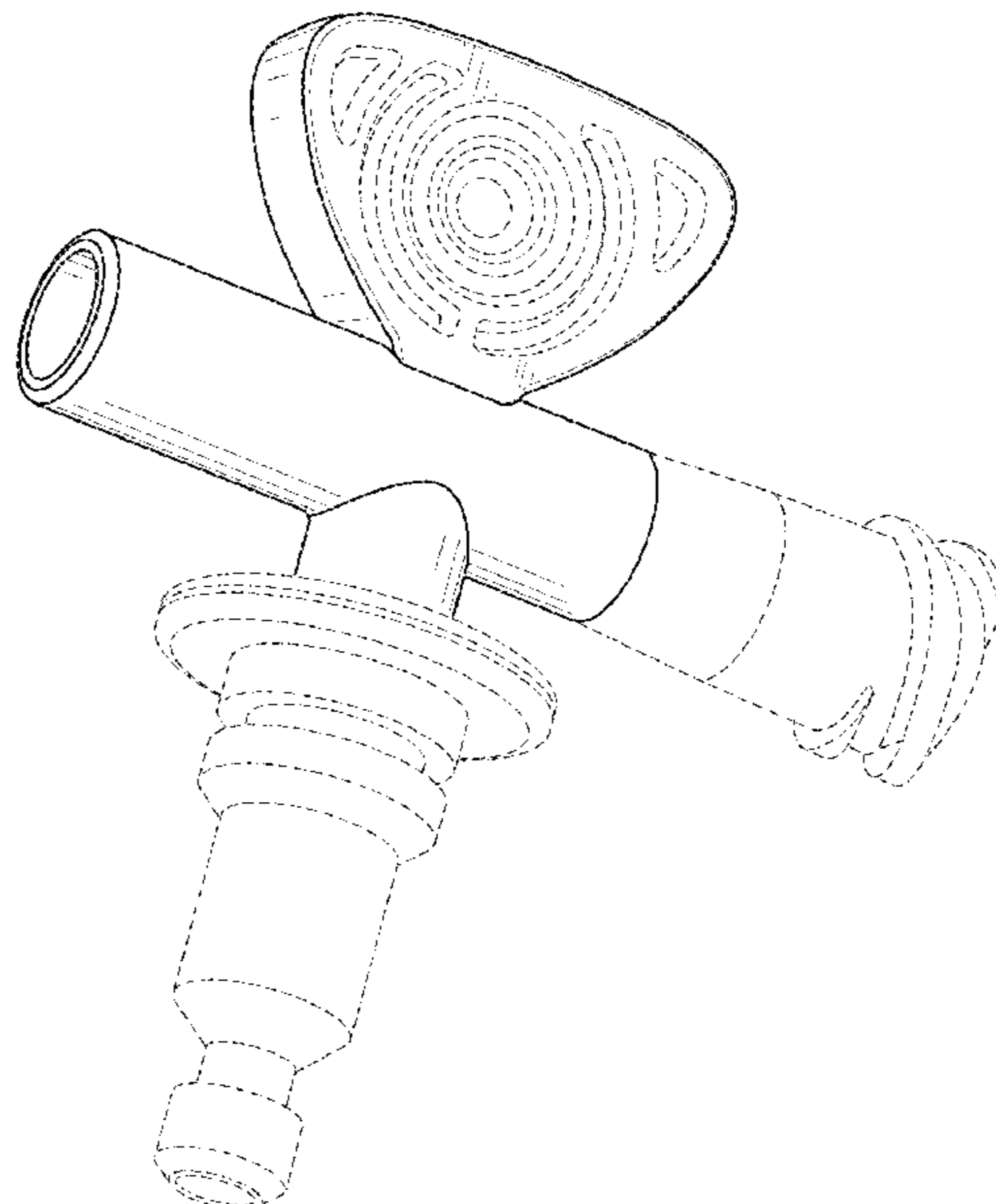
The ornamental design for the catheter connector, as shown and described herein.

**DESCRIPTION**

FIG. 1 is a perspective view of the catheter connector in accordance with the invention;  
FIG. 2 is a side elevation view thereof;  
FIG. 3 is an opposite side elevation view of FIG. 2;  
FIG. 4 is another side elevation view of the invention as shown in FIG. 1;  
FIG. 5 is an opposite side elevation view of FIG. 4;  
FIG. 6 is a top plan view of the invention; and,  
FIG. 7 is a bottom plan view of the invention.  
The features shown in broken lines depict environmental structure only and form no part of the claimed design.

**1 Claim, 5 Drawing Sheets**

(56) **References Cited**  
U.S. PATENT DOCUMENTS  
D340,112 S \* 10/1993 Zeman ..... D24/112  
5,573,007 A 11/1996 Bobo et al.  
6,183,421 B1 2/2001 Bobo  
D468,015 S \* 12/2002 Horppu ..... D24/129  
D483,487 S \* 12/2003 Harding ..... D24/129  
6,673,022 B1 1/2004 Bobo et al.



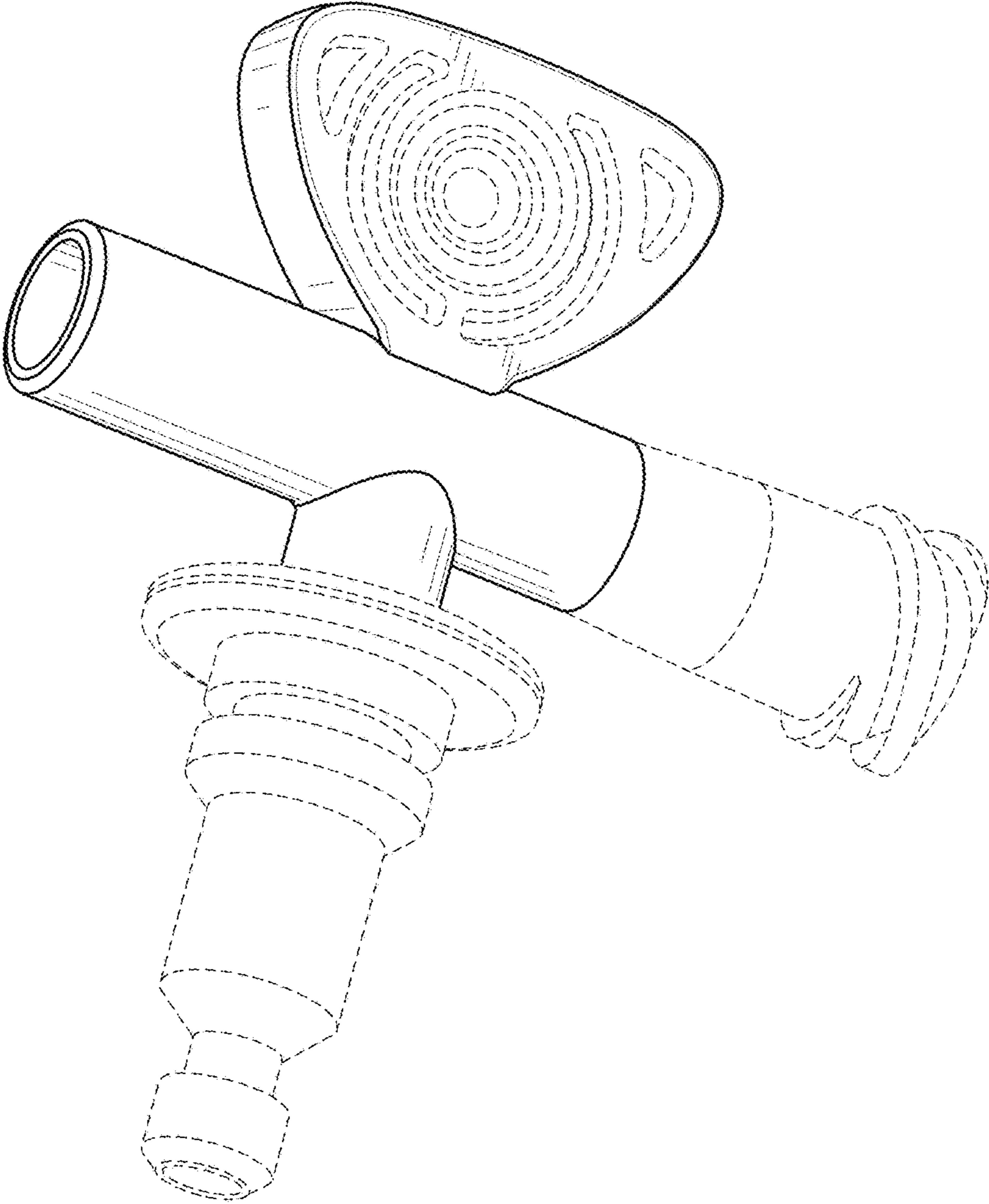
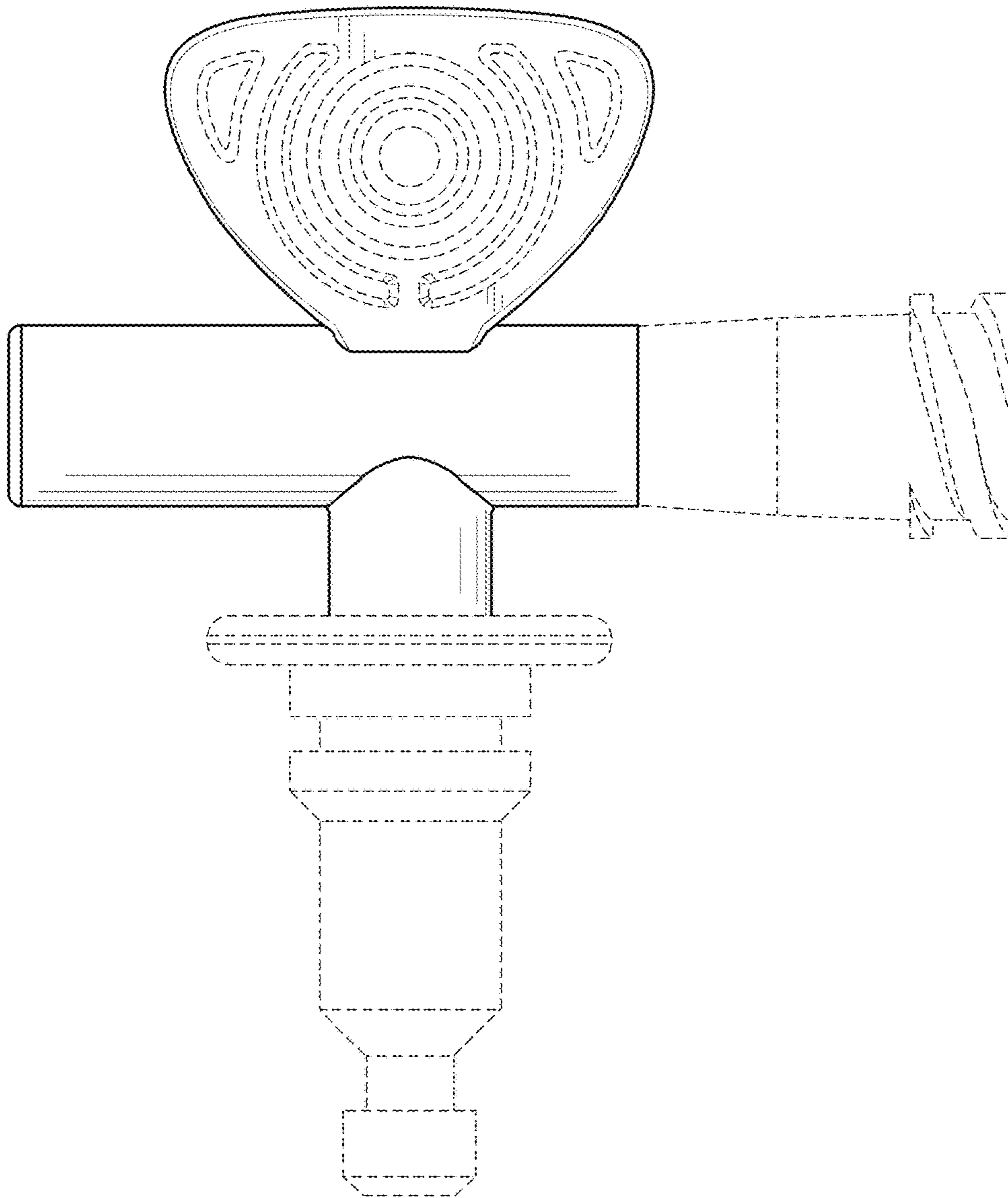
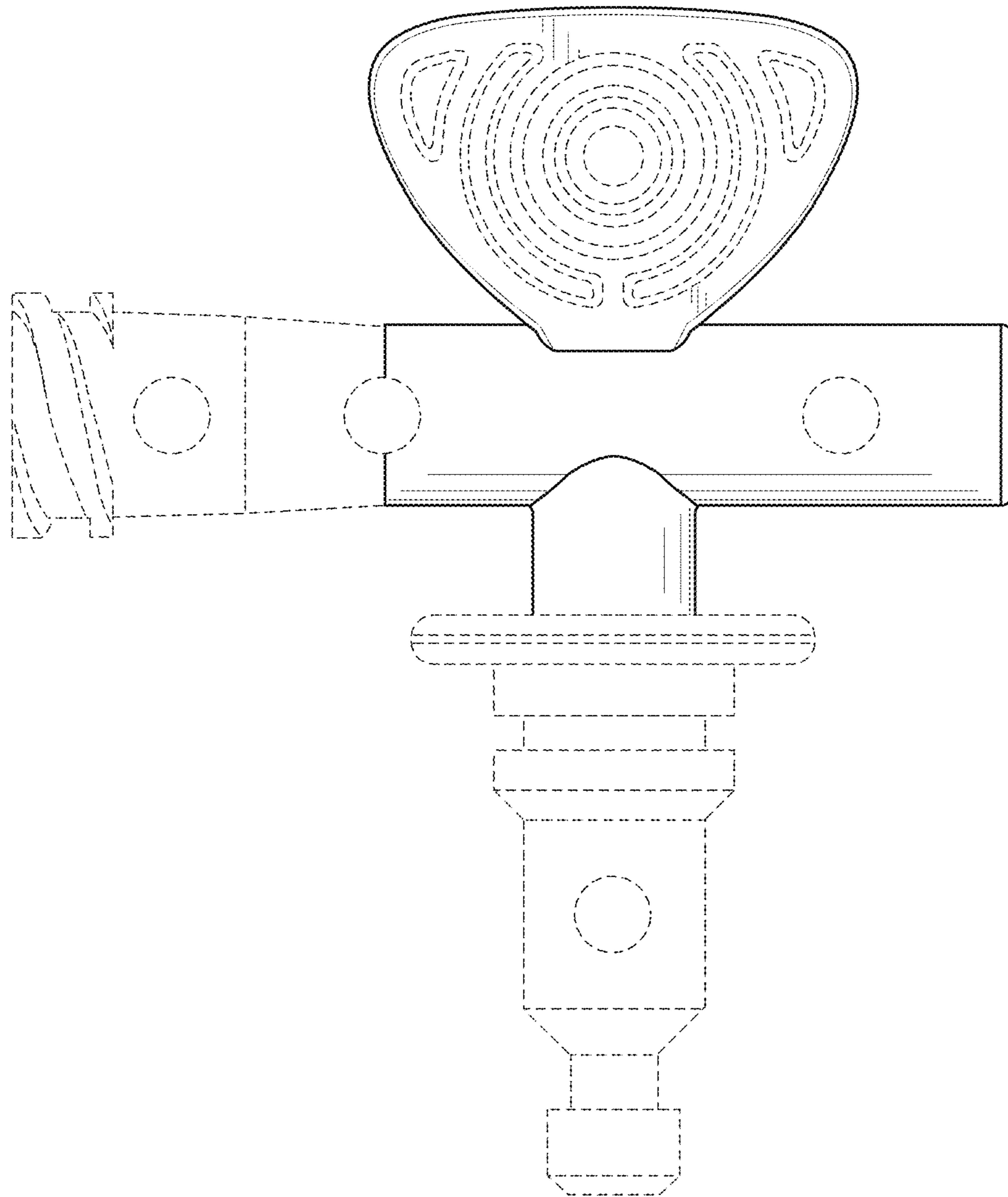


FIG. 1



**FIG. 2**



**FIG. 3**

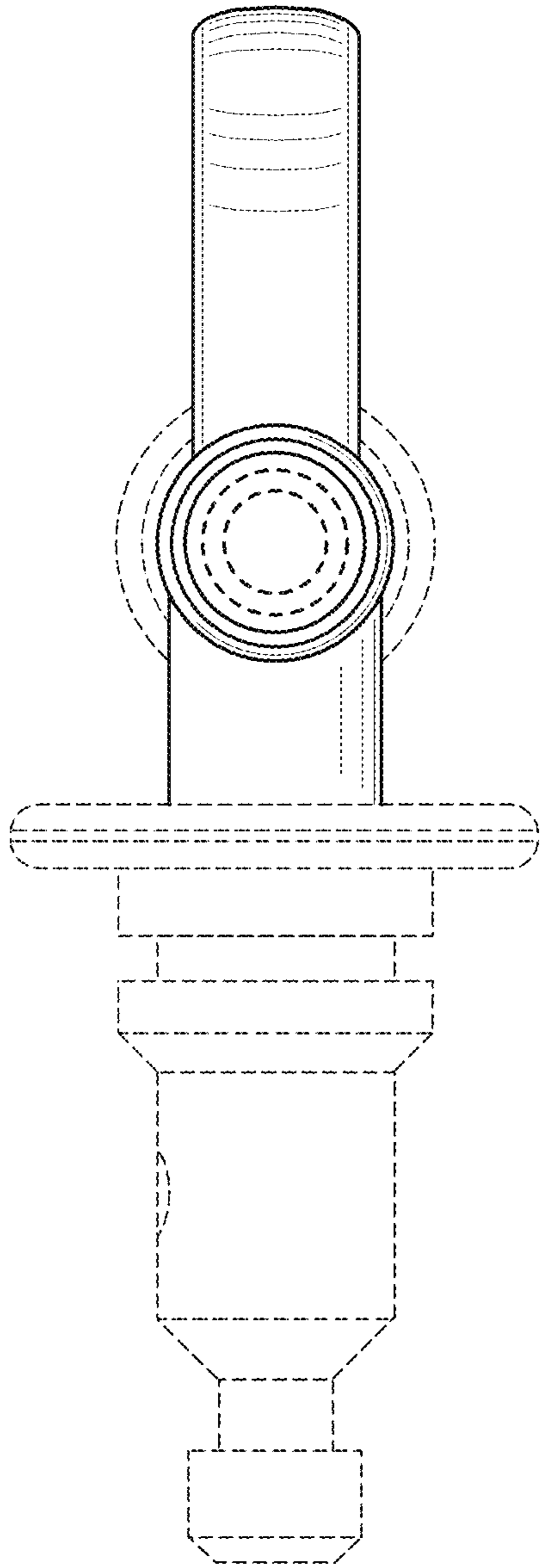


FIG. 4

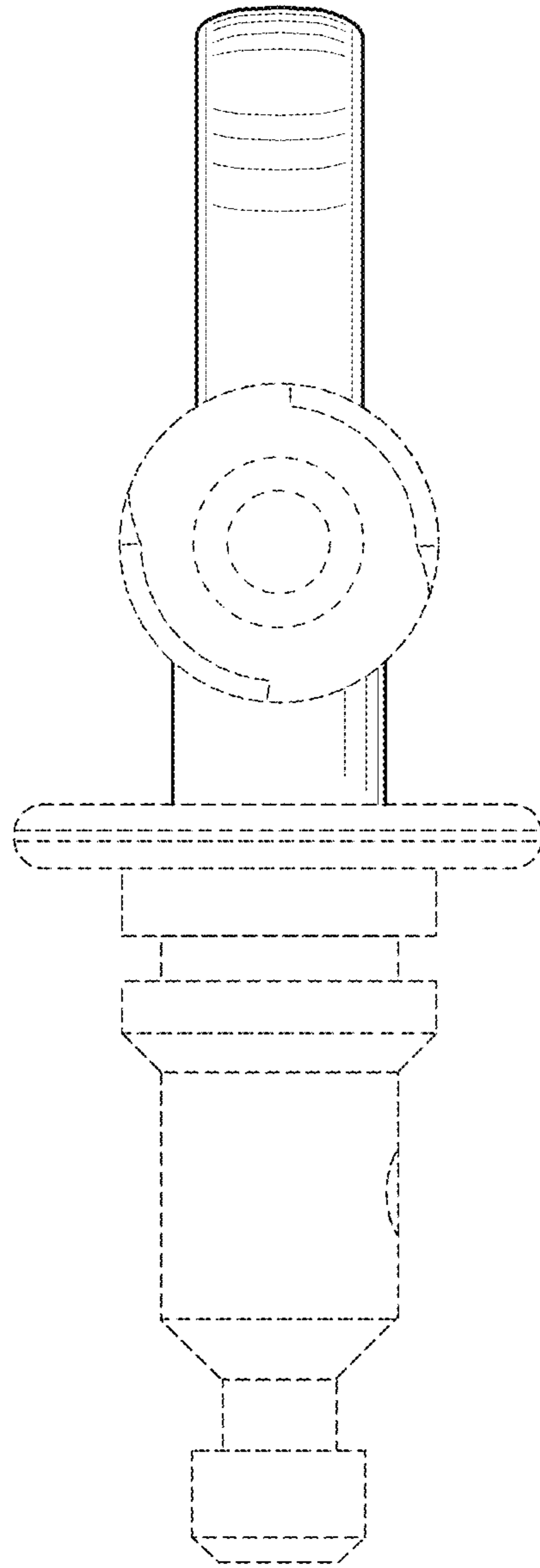
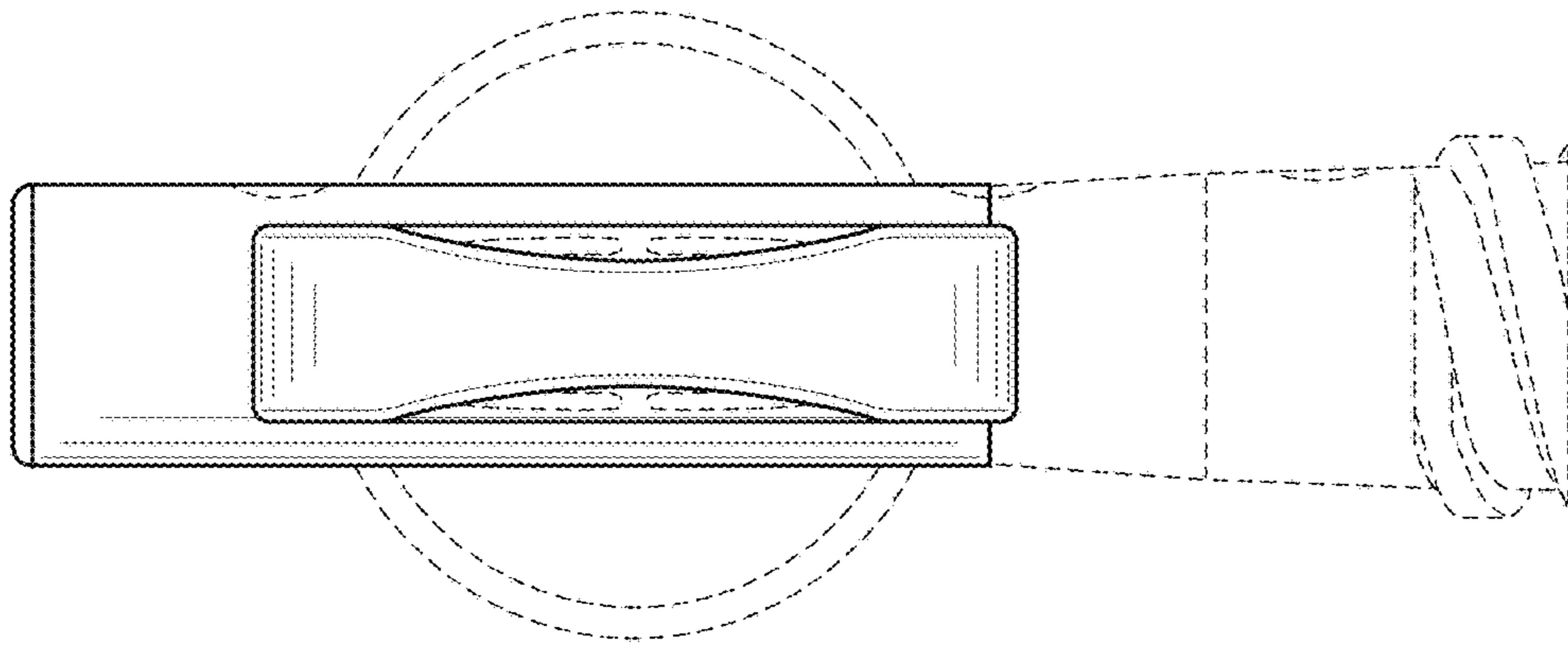
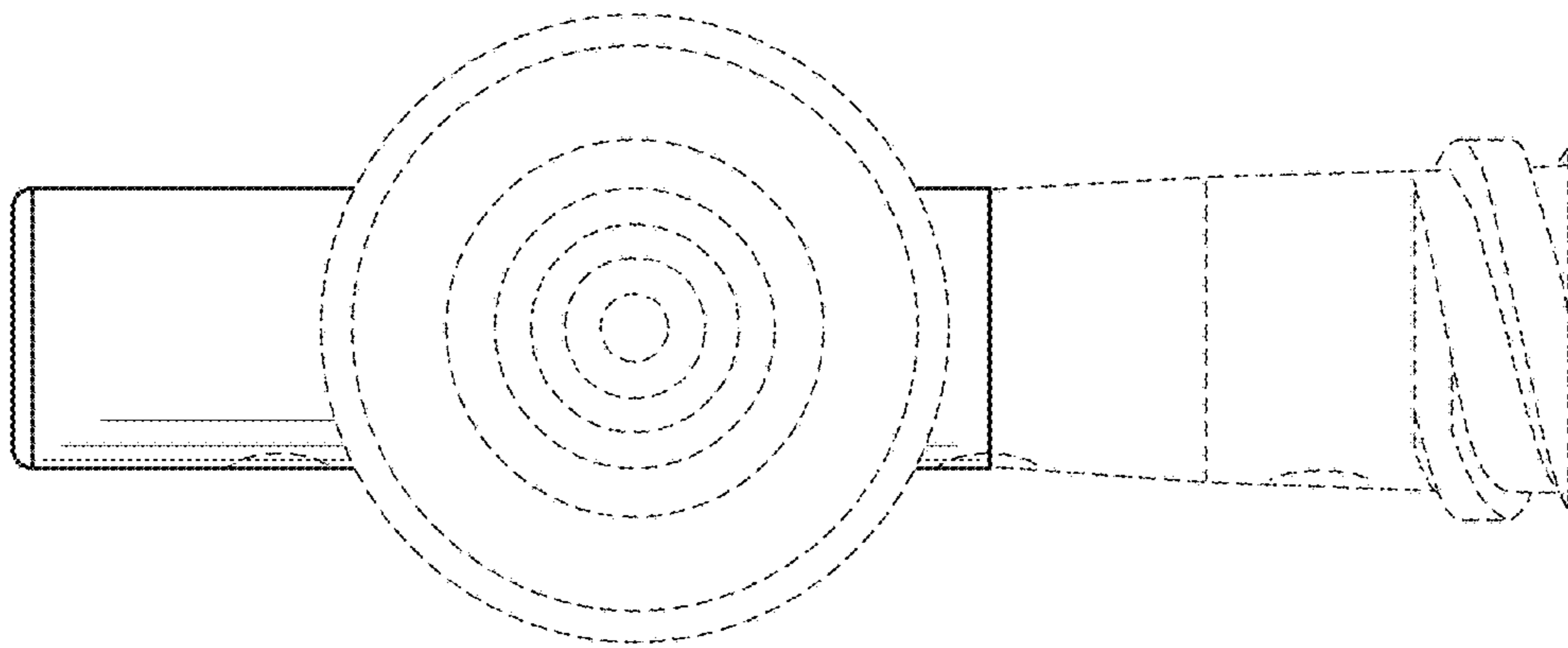


FIG. 5



**FIG. 6**



**FIG. 7**