



US00D794178S

(12) **United States Design Patent** (10) **Patent No.:** **US D794,178 S**
Daniel et al. (45) **Date of Patent:** **** Aug. 8, 2017**

- (54) **HOUSING FOR A MEDICAL INJECTOR**
- (71) Applicant: **SHL GROUP AB**, Nacka Strand (SE)
- (72) Inventors: **Mattias Daniel**, Taby (SE); **Katja Wessel**, Stockholm (SE)
- (73) Assignee: **SHL GROUP AB**, Nacka Strand (SE)
- (**) Term: **15 Years**
- (21) Appl. No.: **29/546,584**
- (22) Filed: **Nov. 24, 2015**

Related U.S. Application Data

- (63) Continuation-in-part of application No. 13/650,708, filed on Oct. 12, 2012, which is a continuation of application No. 13/636,241, filed as application No. PCT/SE2011/050236 on Mar. 23, 2011, now Pat. No. 9,199,038.

Foreign Application Priority Data

- Mar. 31, 2010 (SE) 1050307
- (51) **LOC (10) Cl.** **24-02**
- (52) **U.S. Cl.**
USPC **D24/113**
- (58) **Field of Classification Search**
USPC D24/112-114, 108, 130, 127, 133, 186;
606/181, 185; 604/264, 523-528, 272,
604/164.01-164.11, 187, 93.01; 600/101,
600/139, 143; 128/200.24, 207.14,
128/207.15
CPC A61M 5/178; A61M 3/00; A61M 5/20;
A61M 5/31; A61M 5/3146; A61M
5/3129; A61M 5/3148
See application file for complete search history.

(56) **References Cited**

U.S. PATENT DOCUMENTS

D430,293	S	*	8/2000	Jansen	D24/129
D626,648	S	*	11/2010	Ahlgren	D24/130
D641,469	S	*	7/2011	Ruiz, Sr.	D24/133
D708,317	S	*	7/2014	Schneider	D24/113
8,821,451	B2	*	9/2014	Daniel	A61M 5/2033 604/137
D733,869	S	*	7/2015	Ratjen	D24/113
D739,932	S	*	9/2015	Ratjen	D24/113
D748,253	S	*	1/2016	Ratjen	D24/130
D748,778	S	*	2/2016	Shiozaki	D24/130
D757,255	S	*	5/2016	Wohlfahrt	D24/113
D758,567	S	*	6/2016	Wohlfahrt	D24/113
D758,569	S	*	6/2016	Wohlfahrt	D24/113
D760,893	S	*	7/2016	Honda	D24/130

* cited by examiner

Primary Examiner — David Muller

(74) *Attorney, Agent, or Firm* — McDonnell Boehnen Hulbert & Berghoff LLP

(57) **CLAIM**

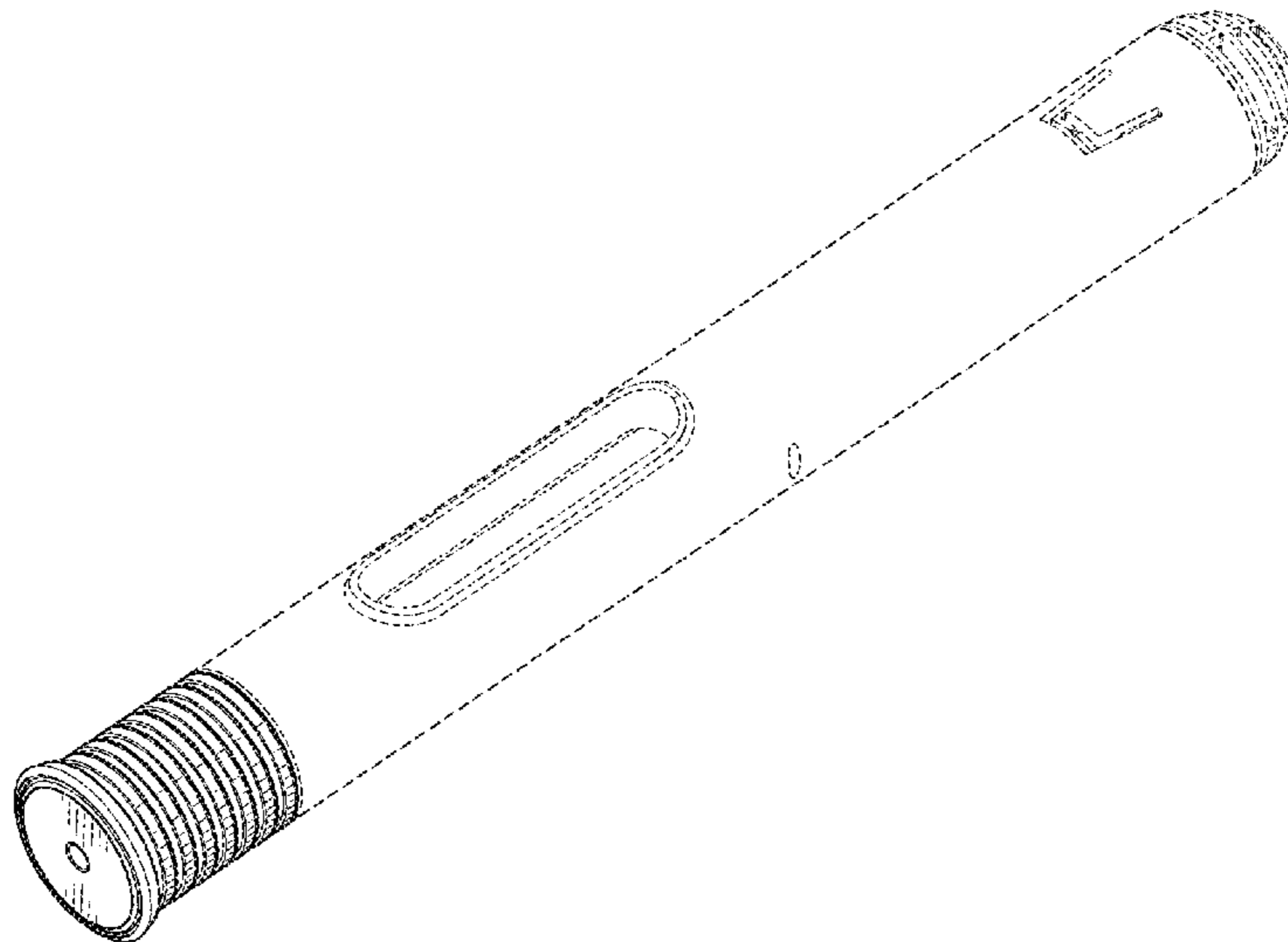
The ornamental design for a housing for a medical injector, as shown and described.

DESCRIPTION

FIG. 1 is a perspective view of the housing viewed from the front and left of and above the medical injector;
FIG. 2 is a front elevation view thereof;
FIG. 3 is a rear elevation view thereof;
FIG. 4 is a left side elevation view thereof;
FIG. 5 is a right side elevation view thereof;
FIG. 6 is a bottom plan view thereof; and,
FIG. 7 is a top plan view thereof.

The broken line showing is for the purpose of illustrating portions of the article and forms no part of the claimed design. The broken line which defines the bounds of the claimed invention forms no part of the claimed design.

1 Claim, 3 Drawing Sheets



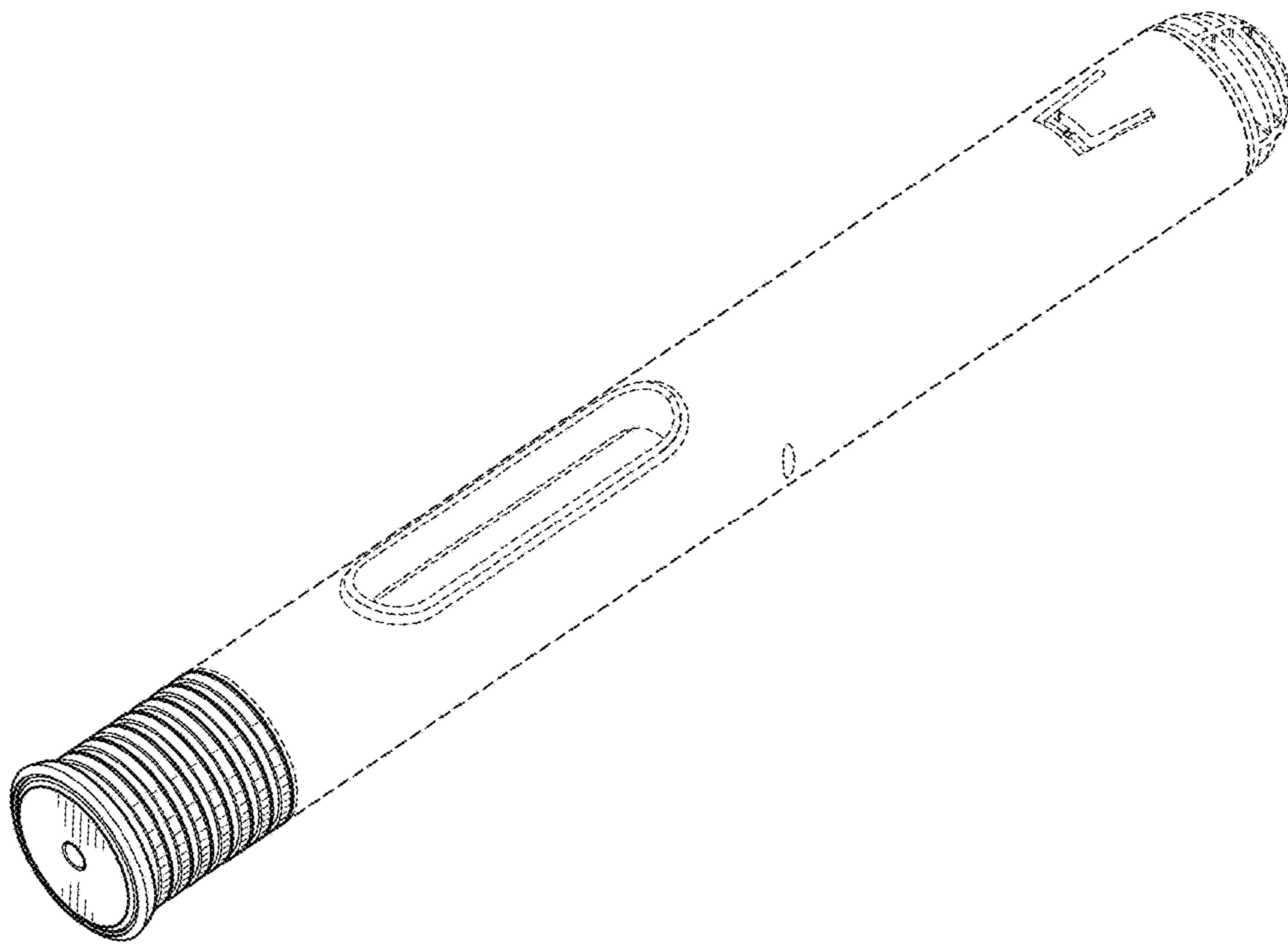


Fig. 1

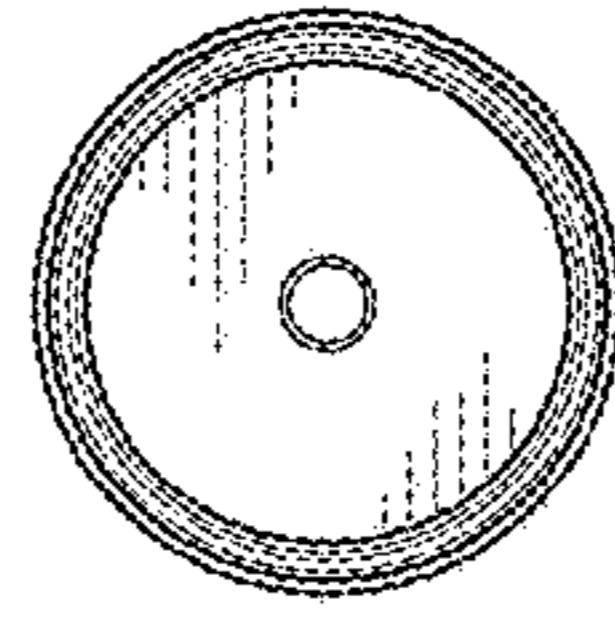


Fig. 2

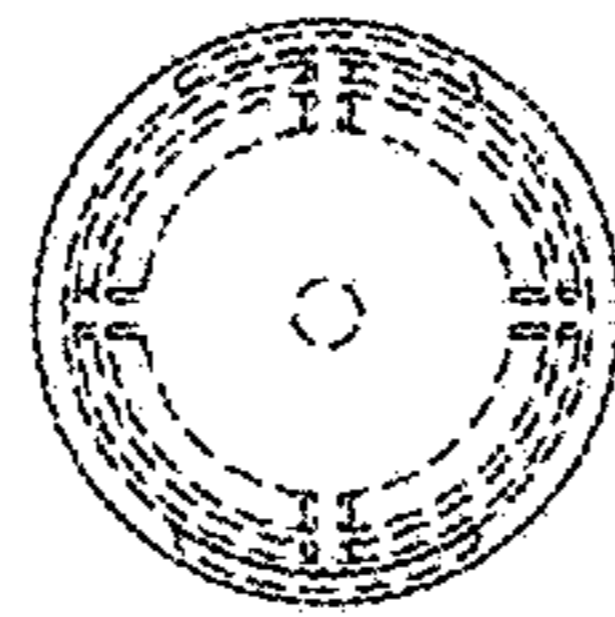


Fig. 3

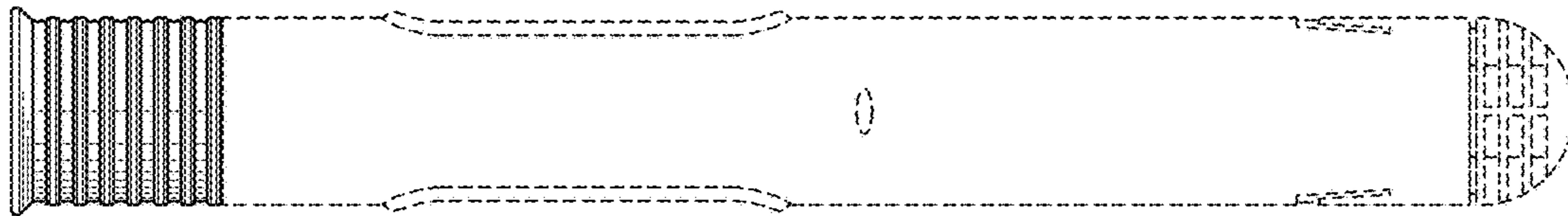


Fig. 4

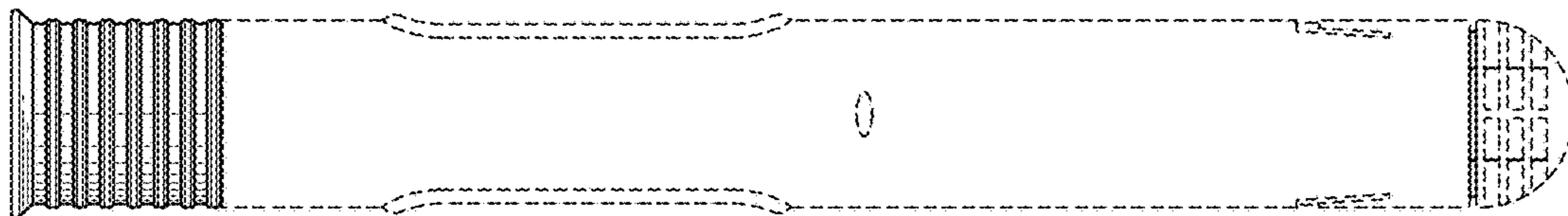


Fig. 5

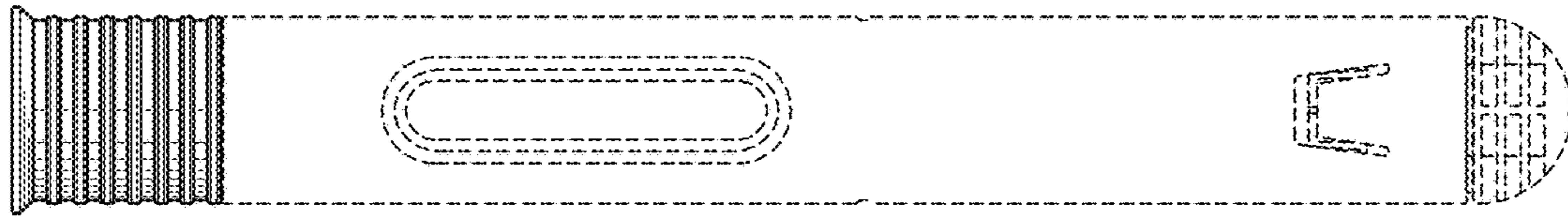


Fig. 6

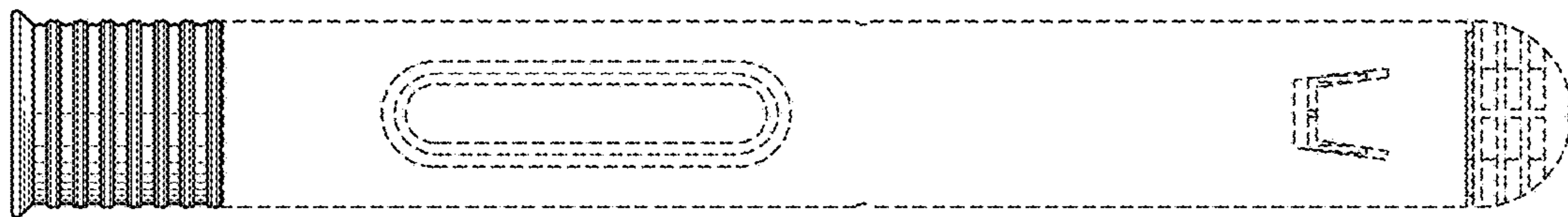


Fig. 7