



US00D794177S

(12) **United States Design Patent**
Lebedenko et al.

(10) **Patent No.:** **US D794,177 S**

(45) **Date of Patent:** **** Aug. 8, 2017**

- (54) **CANNULA**
- (71) Applicant: **Ivoclar Vivadent AG**, Schaan (LI)
- (72) Inventors: **Anton Lebedenko**, Buchs (CH); **Lukas Enggist**, Sargens (CH); **Sonja Jäger**, Mauren (LI)
- (73) Assignee: **Ivoclar Vivadent AG**, Schaan (LI)

6,454,745 B1 * 9/2002 Donnan A61M 5/3134
604/181
D669,579 S * 10/2012 Marshall D24/130
8,388,583 B2 * 3/2013 Stout A61M 25/00
604/244
D712,028 S * 8/2014 Takemoto D24/130
D728,781 S * 5/2015 Pierson D24/112
D735,321 S * 7/2015 Blanchard D24/112
D752,215 S * 3/2016 Blennow D24/130
2009/0042162 A1 * 2/2009 Pond A61C 17/0202
433/80

- (**) Term: **14 Years**
- (21) Appl. No.: **29/516,572**

(22) Filed: **Feb. 4, 2015**

(30) **Foreign Application Priority Data**

Aug. 7, 2014 (WO) 832046301

(51) **LOC (10) Cl.** **24-02**

(52) **U.S. Cl.**
USPC **D24/112**

(58) **Field of Classification Search**
USPC D24/127-131, 112-114, 133, 186;
606/181, 185; 604/264, 523-528, 272,
604/187, 158, 164.01-164.11, 181, 184,
604/227; 600/101, 139, 143;
128/200.24, 207.14, 207.15
CPC A61M 25/00; A61M 39/00; A61M 27/00;
A61M 25/0043; A61M 25/0067; A61M
25/0097; A61F 2/958
See application file for complete search history.

(56) **References Cited**

U.S. PATENT DOCUMENTS

D359,119 S * 6/1995 Dragan D24/114
5,607,407 A * 3/1997 Tolkoff A61M 25/005
604/523
5,876,384 A * 3/1999 Dragan A61M 1/008
433/91

(Continued)

Primary Examiner — David Muller

(74) *Attorney, Agent, or Firm* — Ann M. Knab; Thad McMurray

(57) **CLAIM**

The ornamental design for a cannula, as shown and described.

DESCRIPTION

FIG. 1 is a perspective view of a cannula showing our new design.

FIG. 2 is a front view thereof, the rear view being a mirror image thereof.

FIG. 3 is a right side view thereof, the left side view being a mirror image thereof.

FIG. 4 is a top view thereof.

FIG. 5 is a bottom view thereof.

FIG. 6 is a perspective view of a second embodiment of a cannula showing our new design.

FIG. 7 is a front view thereof, the rear view being a mirror image thereof.

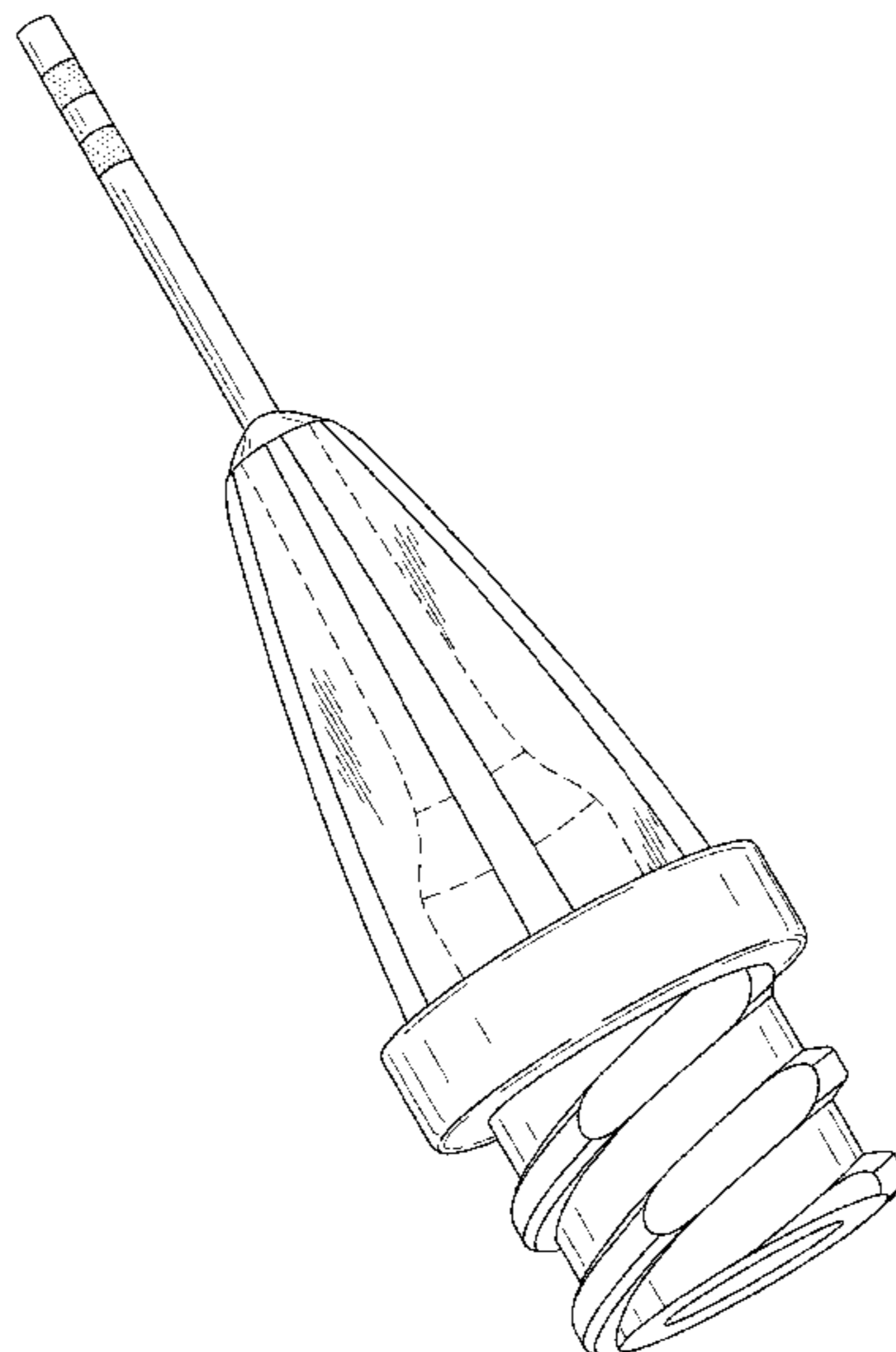
FIG. 8 is a right side view thereof, the left side view being a mirror image thereof.

FIG. 9 is a top view thereof; and,

FIG. 10 is a bottom view thereof.

The broken line showing of parts of the drawings is included for the purpose of illustrating use and environment and forms no part of the claimed design.

1 Claim, 8 Drawing Sheets



(56)

References Cited

U.S. PATENT DOCUMENTS

2009/0292243 A1 * 11/2009 Harding A61M 25/0618
604/110
2010/0222746 A1 * 9/2010 Burkholz A61M 25/0618
604/164.08

* cited by examiner

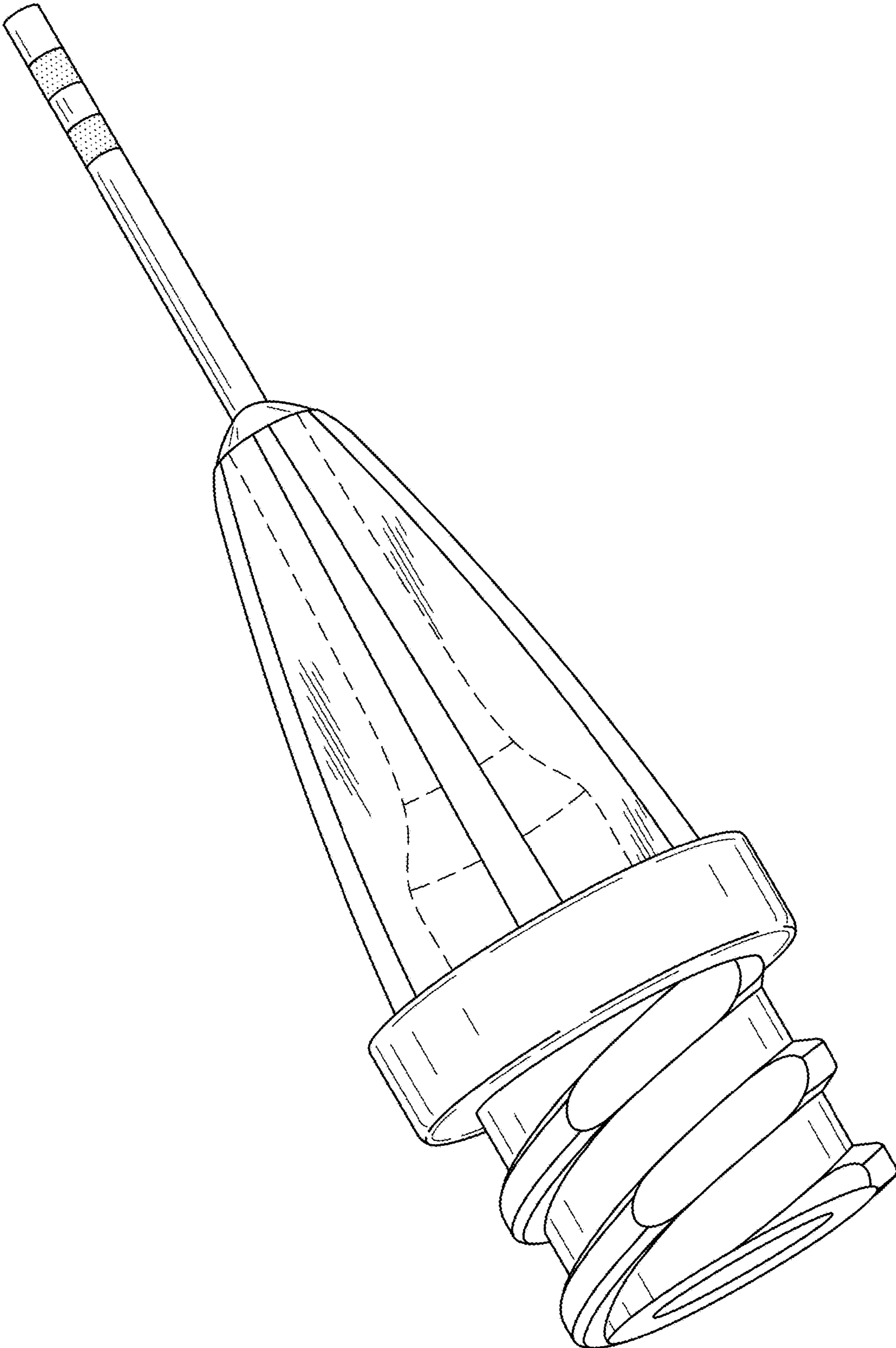


Fig. 1

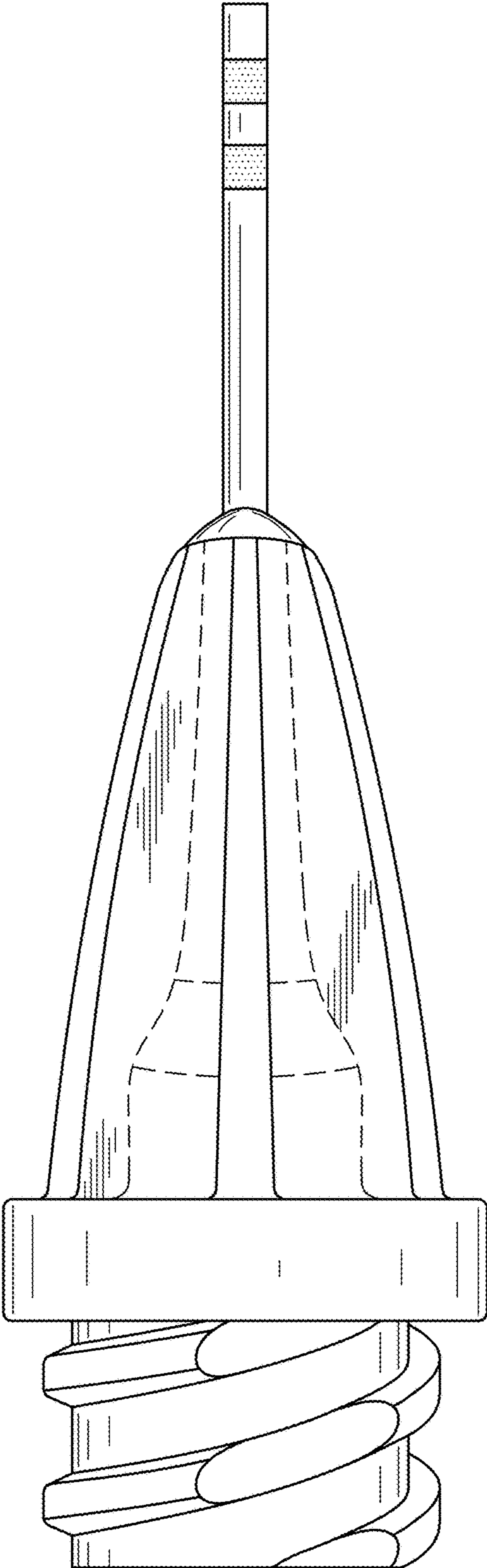


Fig. 2

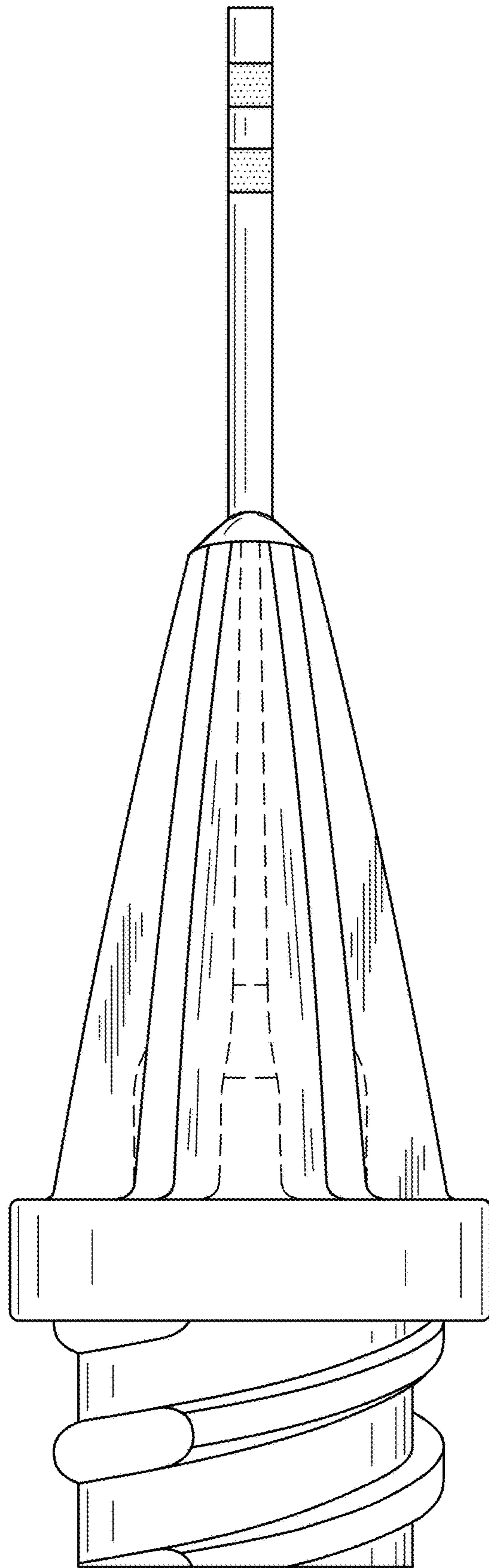


Fig. 3

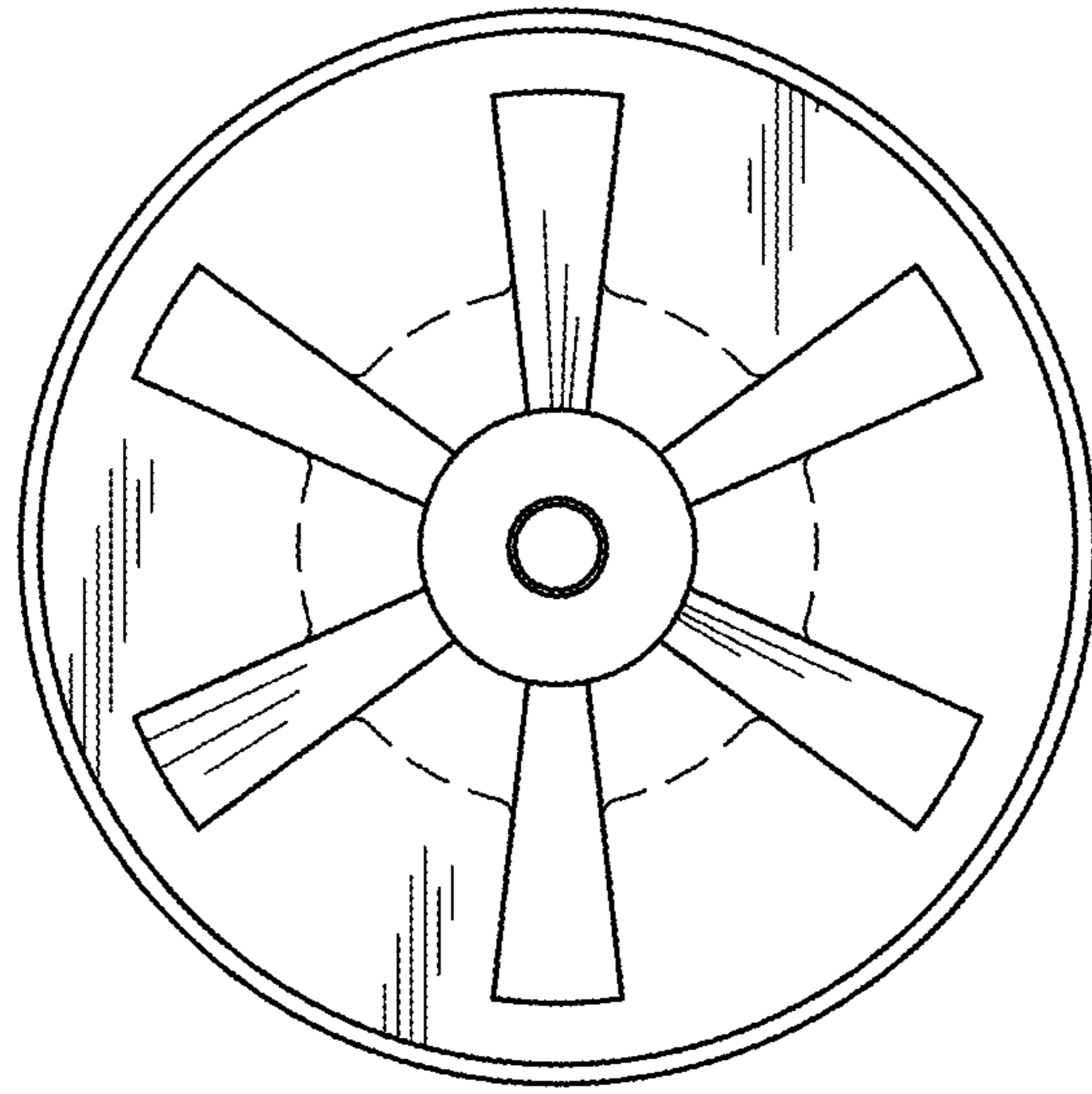


Fig. 4

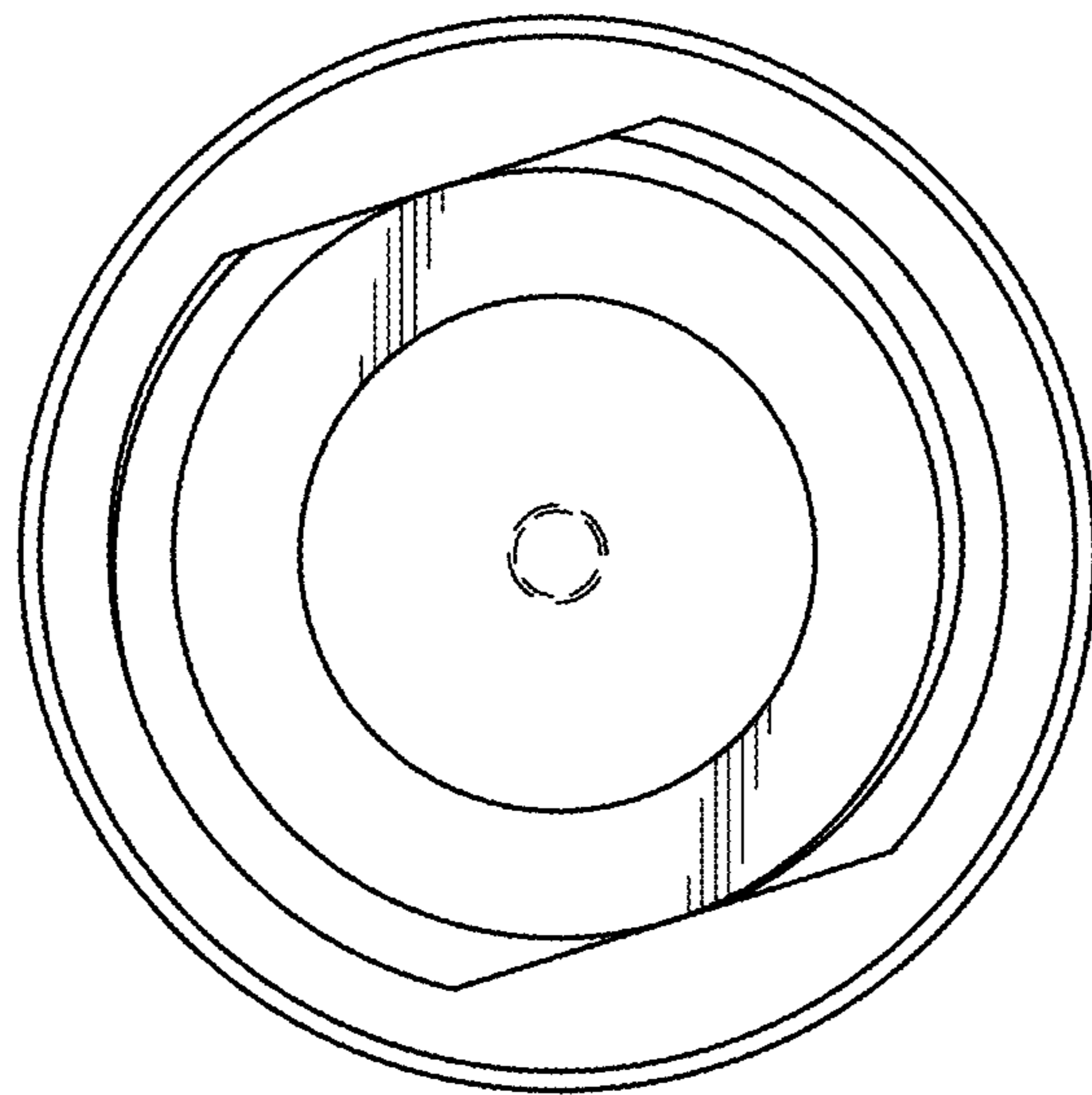


Fig. 5

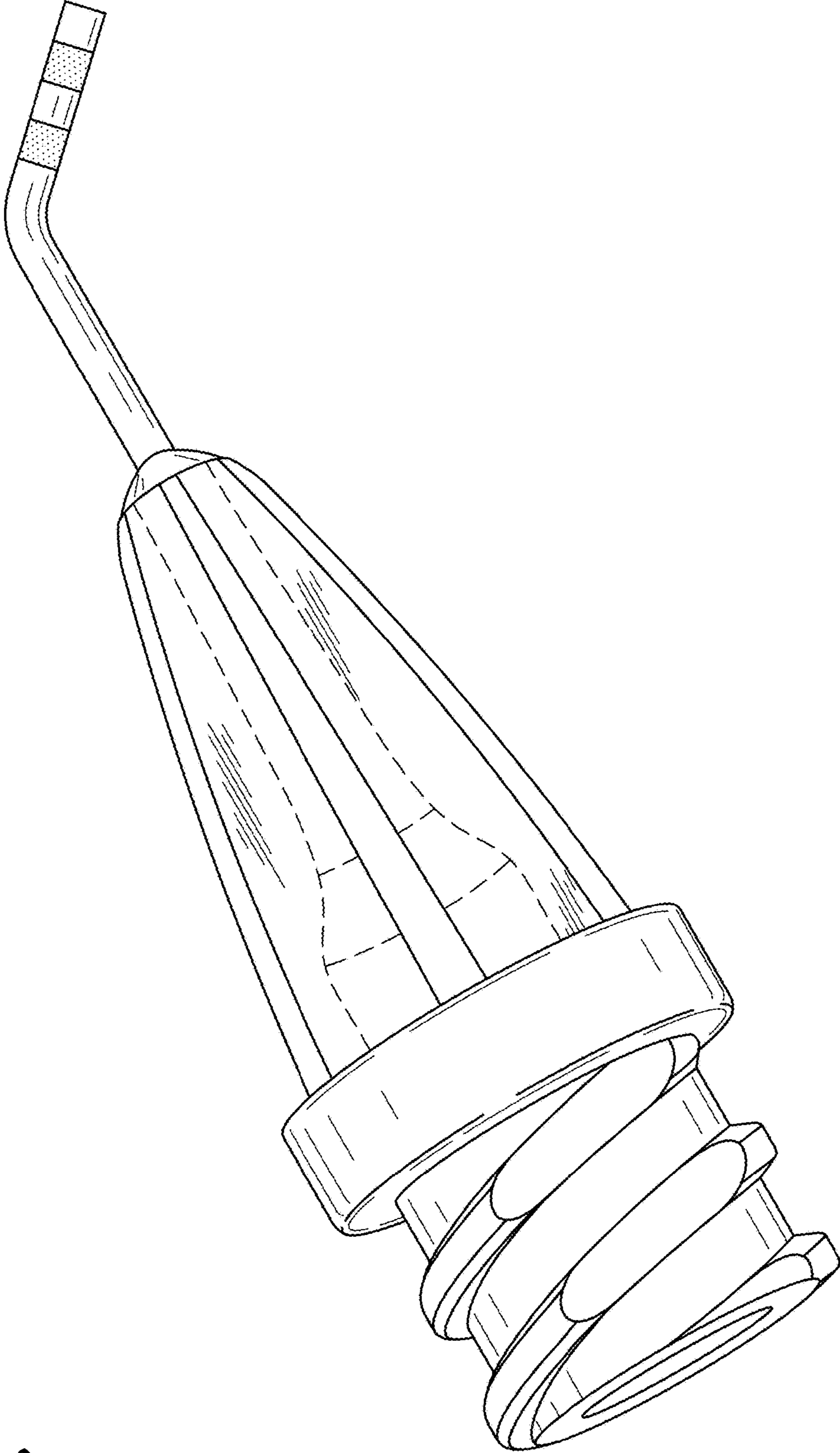


Fig. 6

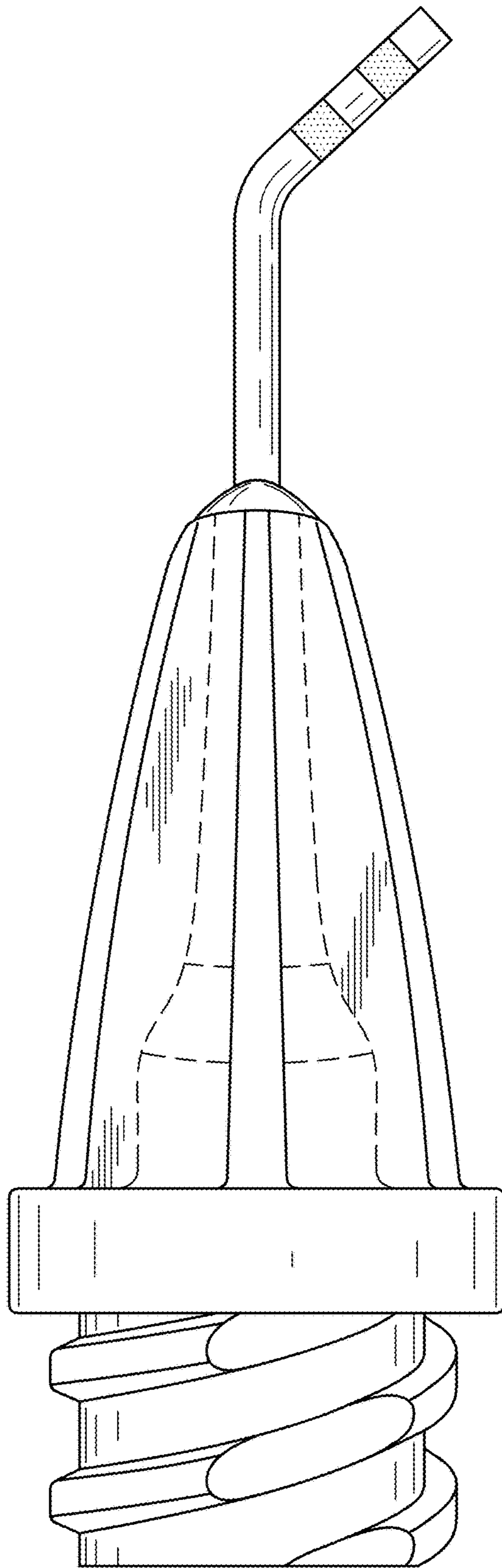


Fig. 7

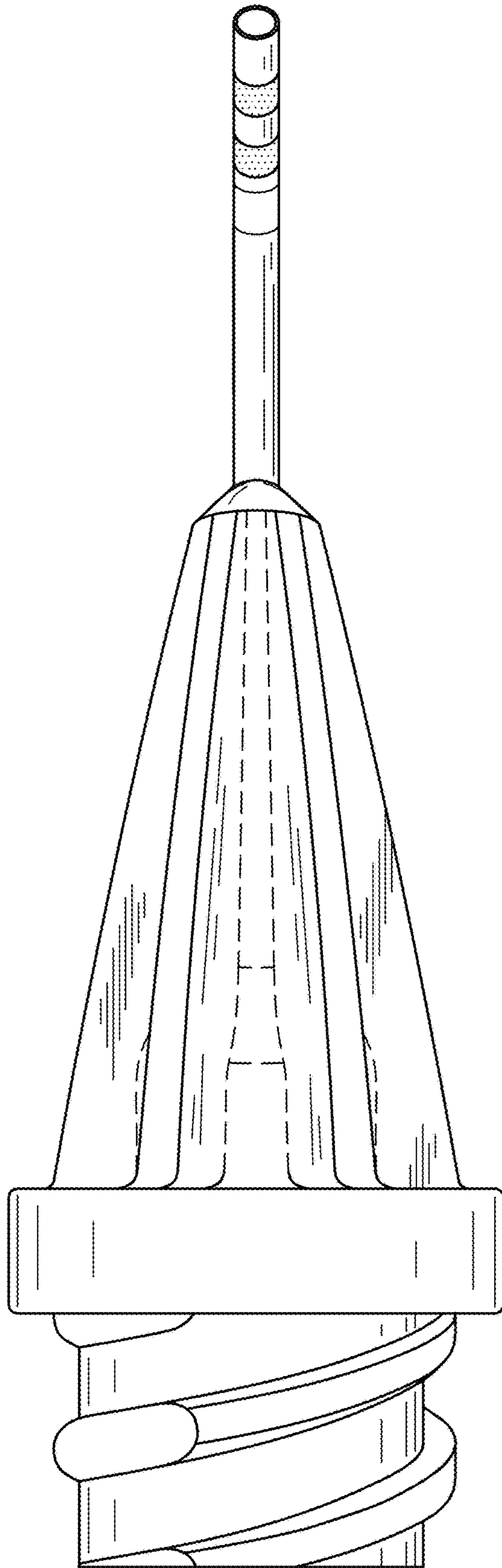


Fig. 8

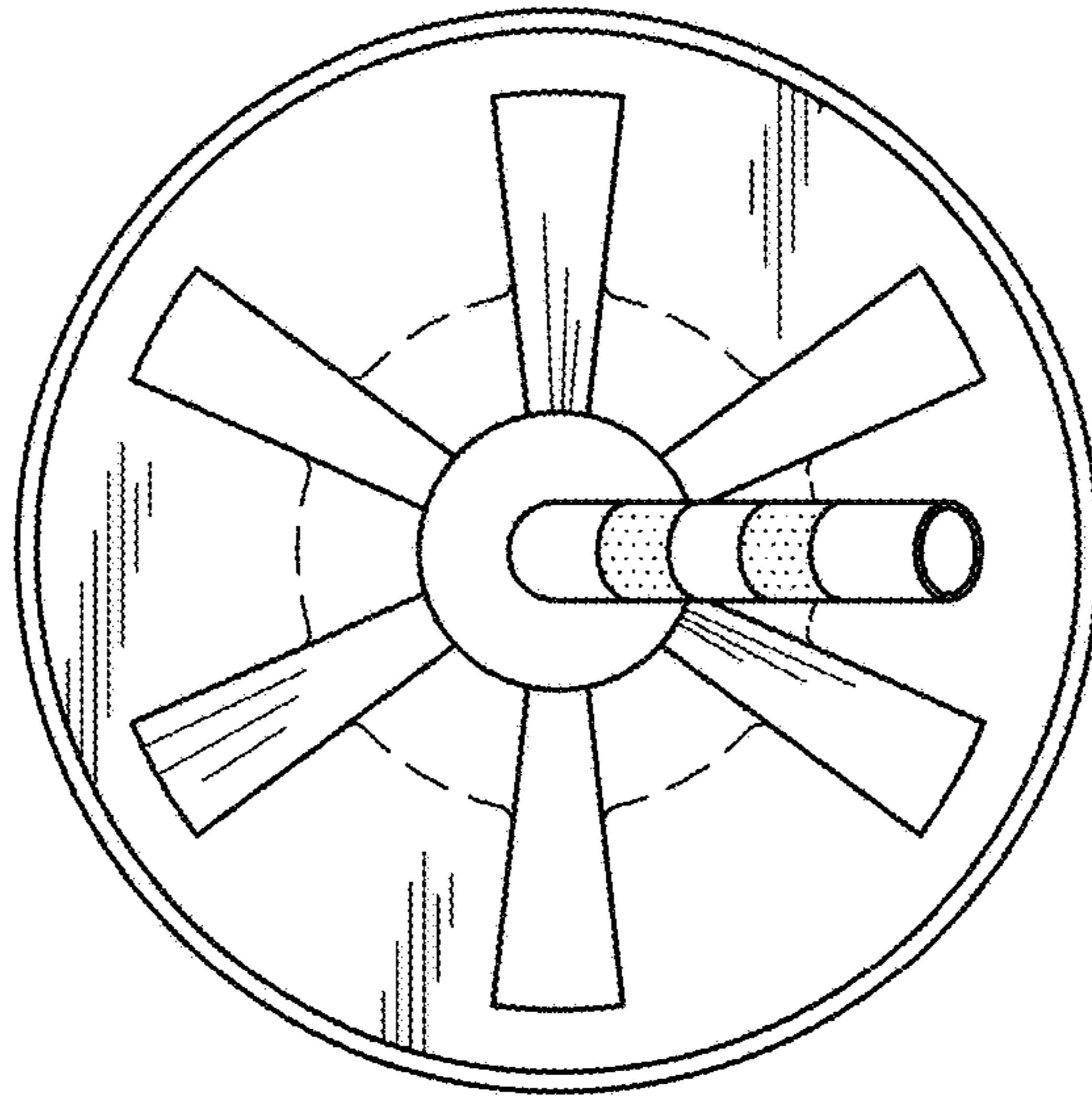


Fig. 9

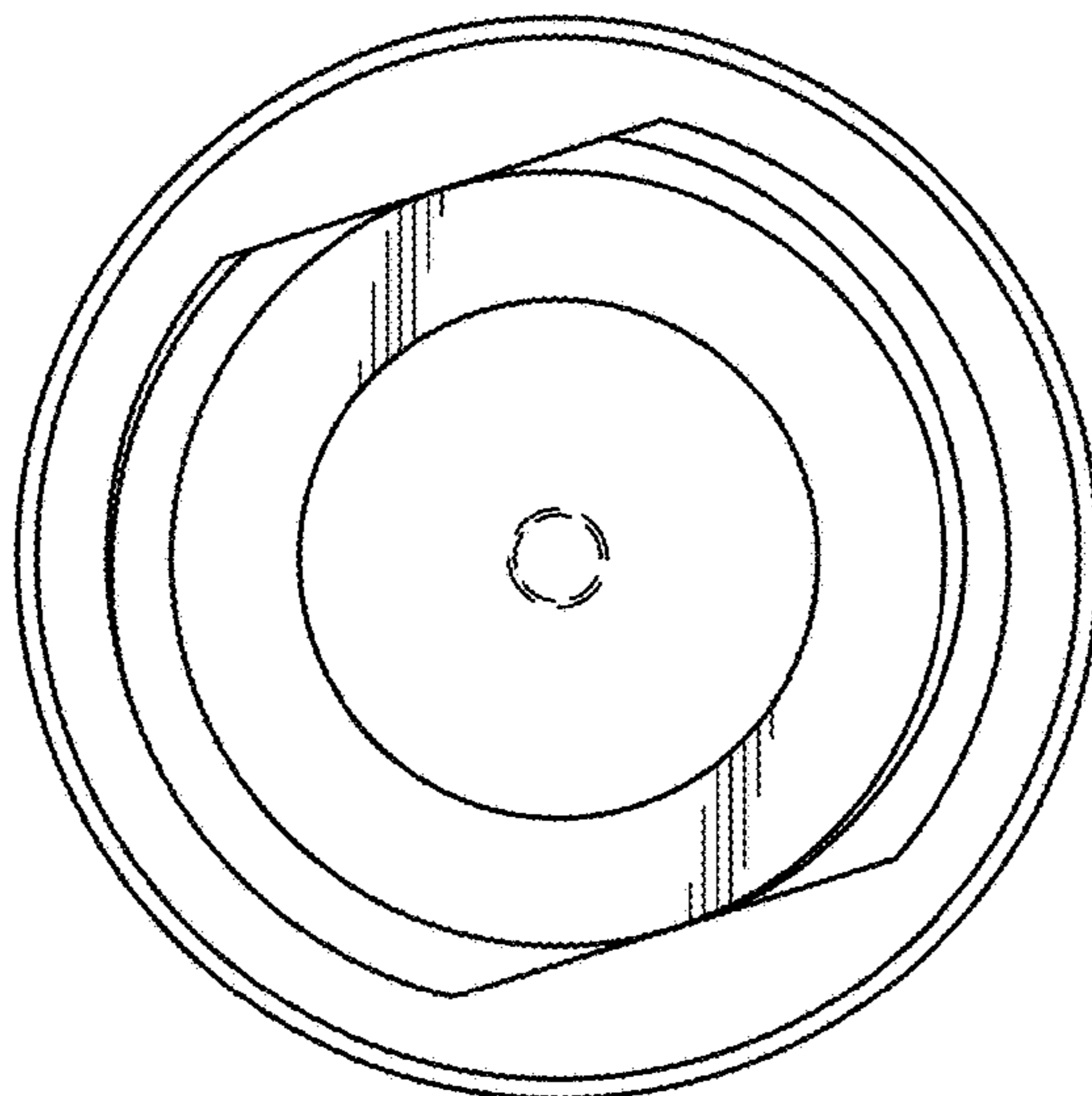


Fig. 10