



US00D794173S

(12) **United States Design Patent**
Kim et al.

(10) **Patent No.:** **US D794,173 S**

(45) **Date of Patent:** **** Aug. 8, 2017**

(54) **BUCKET FOR DEHUMIDIFIER**

(71) Applicant: **Samsung Electronics Co., Ltd.**,
Suwon-si, Gyeonggi-do (KR)

(72) Inventors: **Daejong Kim**, Seoul (KR);
Moonhwan Park, Seoul (KR); **Heejae Jeong**, Seoul (KR); **Minkyung Choi**, Seoul (KR); **Kio Lee**, Seoul (KR)

(73) Assignee: **SAMSUNG ELECTRONICS CO., LTD.**, Gyeonggi-Do (KR)

(**) Term: **15 Years**

(21) Appl. No.: **29/536,113**

(22) Filed: **Aug. 13, 2015**

(30) **Foreign Application Priority Data**

Feb. 13, 2015 (KR) 30-2015-0007983

(51) **LOC (10) Cl.** **23-04**

(52) **U.S. Cl.**
USPC **D23/359**

(58) **Field of Classification Search**
USPC D23/333, 355-364, 385, 388, 393
CPC A61M 16/16; A61M 16/0816; A61M 16/0003; F24F 2006/008; F24F 3/1405; F24F 2003/144; F24F 11/0008; F24F 13/28

See application file for complete search history.

(56) **References Cited**

U.S. PATENT DOCUMENTS

D569,957 S * 5/2008 Shapiro D23/317
8,006,691 B2 * 8/2011 Kenyon A61M 16/0051
122/4 R
D645,934 S * 9/2011 Bertucci D23/208
D683,007 S * 5/2013 Spiegel D23/364

D722,152 S * 2/2015 Hu D23/356
D757,239 S * 5/2016 Kim D23/359
2006/0278084 A1 * 12/2006 Kim B01D 53/261
96/140
2011/0247352 A1 * 10/2011 Zanolin F24F 3/14
62/263
2015/0276241 A1 * 10/2015 Jeon F24F 3/14
62/126
2015/0276242 A1 * 10/2015 Yoon F24F 3/14
62/291
2016/0305672 A1 * 10/2016 Jeon F24F 3/1405

* cited by examiner

Primary Examiner — Kevin Rudzinski

Assistant Examiner — John Reickel

(74) *Attorney, Agent, or Firm* — Cantor Colburn LLP

(57) **CLAIM**

The ornamental design for a bucket for dehumidifier, as shown and described.

DESCRIPTION

FIG. 1 is a perspective view of a bucket for dehumidifier, showing our new design;
FIG. 2 is a front view thereof;
FIG. 3 is a rear view thereof;
FIG. 4 is a side view thereof;
FIG. 5 is another side view thereof;
FIG. 6 is a top view thereof;
FIG. 7 is a bottom view thereof; and,
FIG. 8 is an exploded perspective view of a dehumidifier showing the bucket in an environment of use.

The broken line showing of a bucket for a dehumidifier is included for the purpose of illustrating portions of the article and forms no part of the claimed design; the broken line showing of a dehumidifier is included for the purpose of illustrating environmental structure and forms no part of the claimed design.

1 Claim, 8 Drawing Sheets

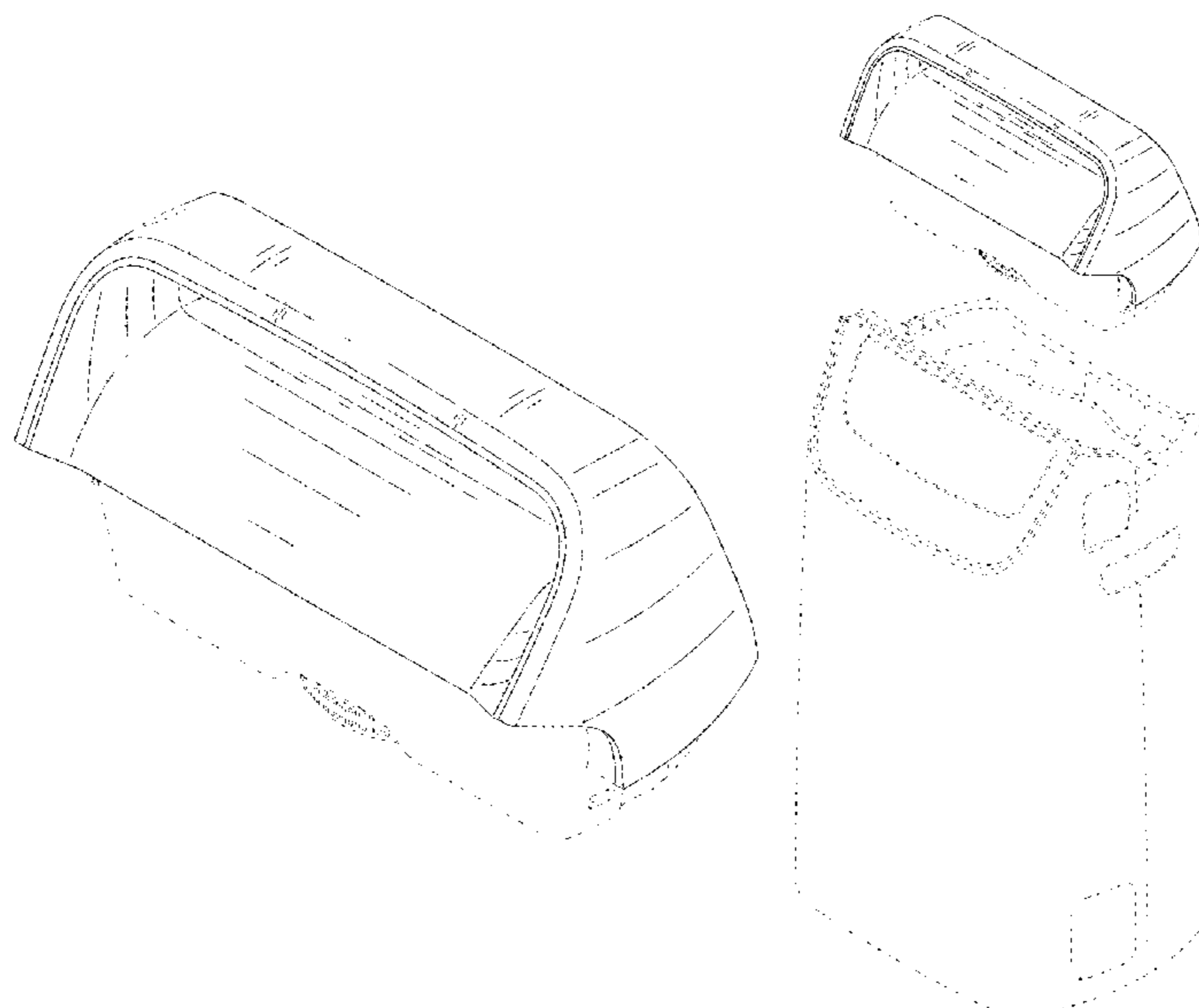


FIG. 1

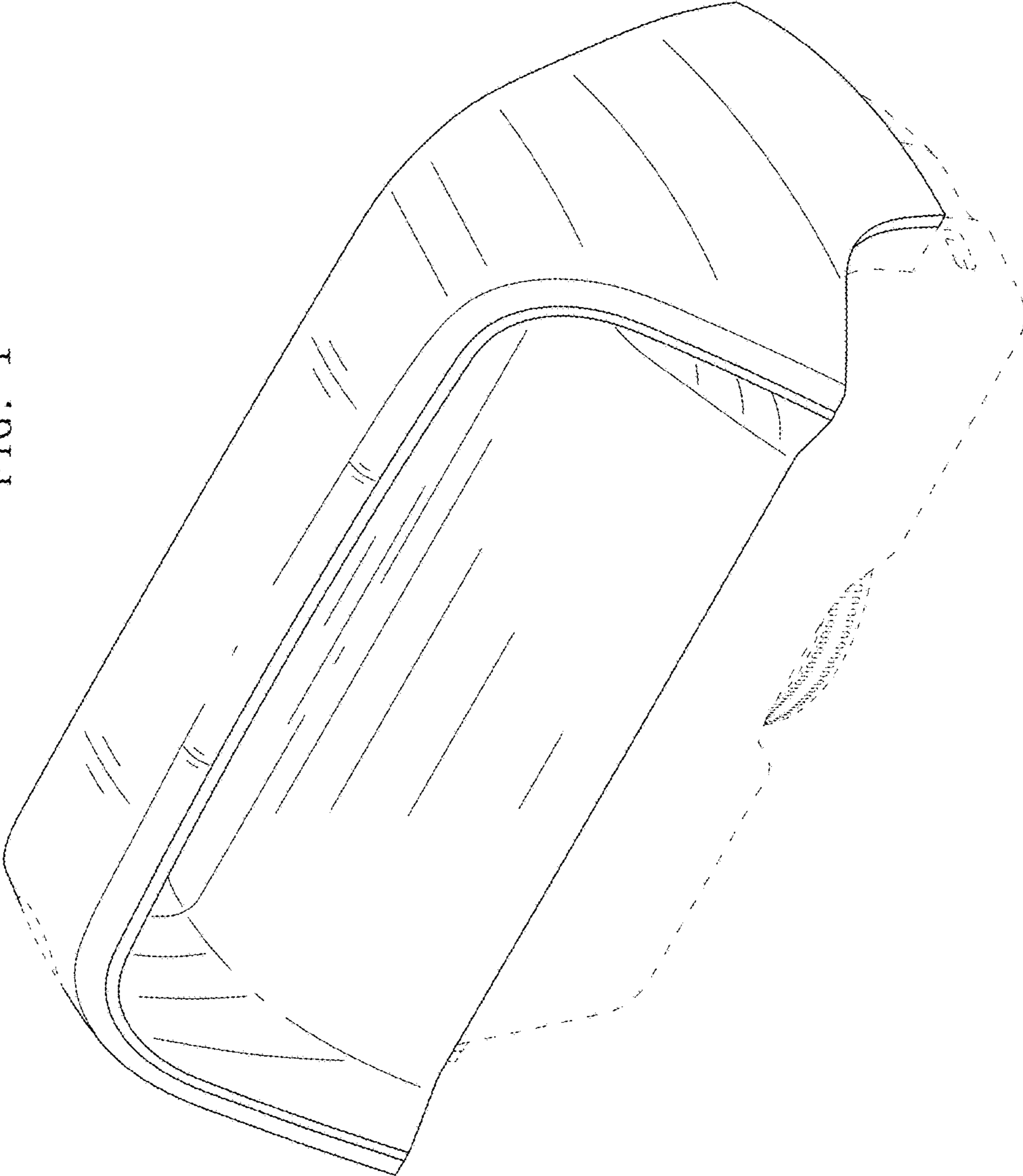


FIG. 2

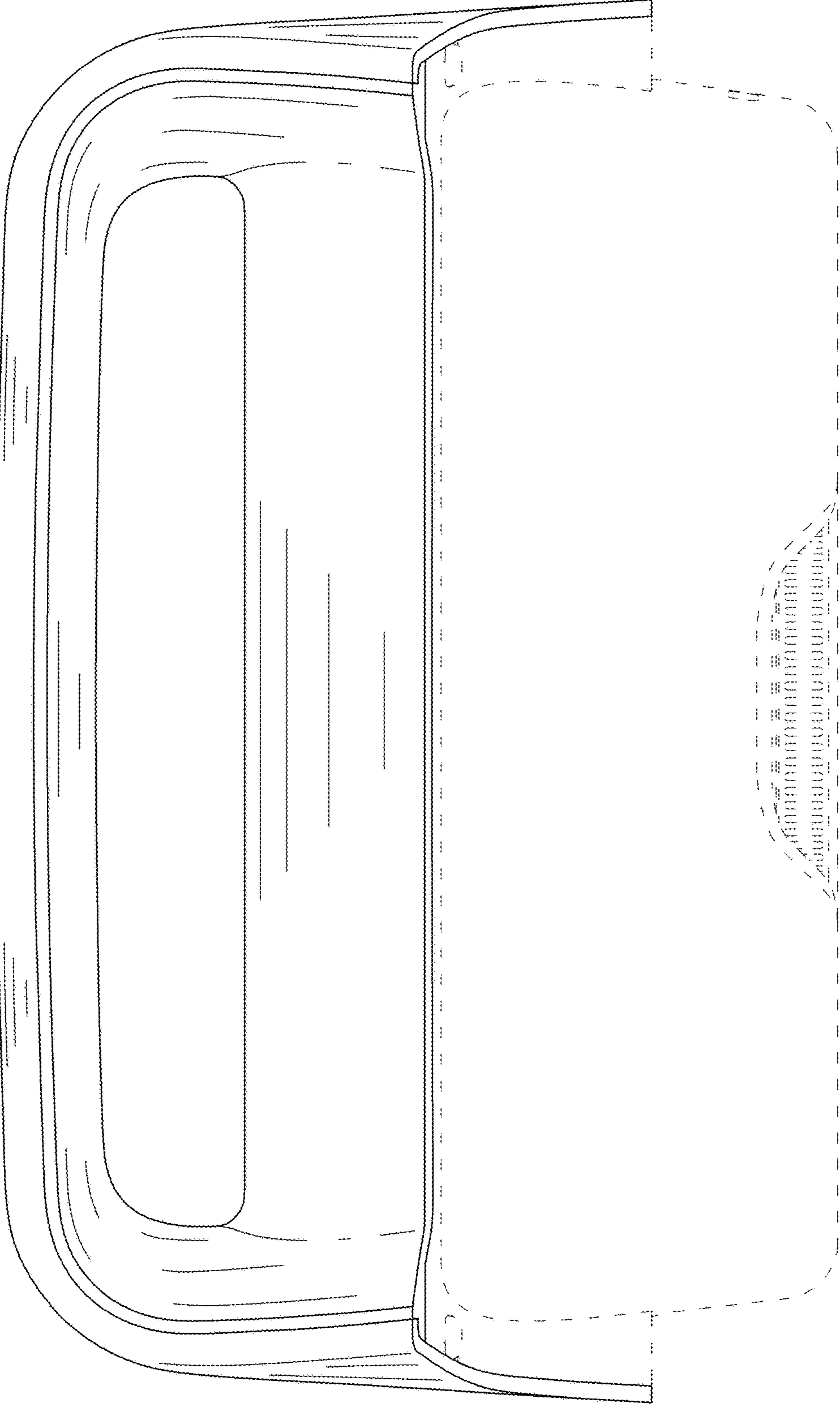


FIG. 3

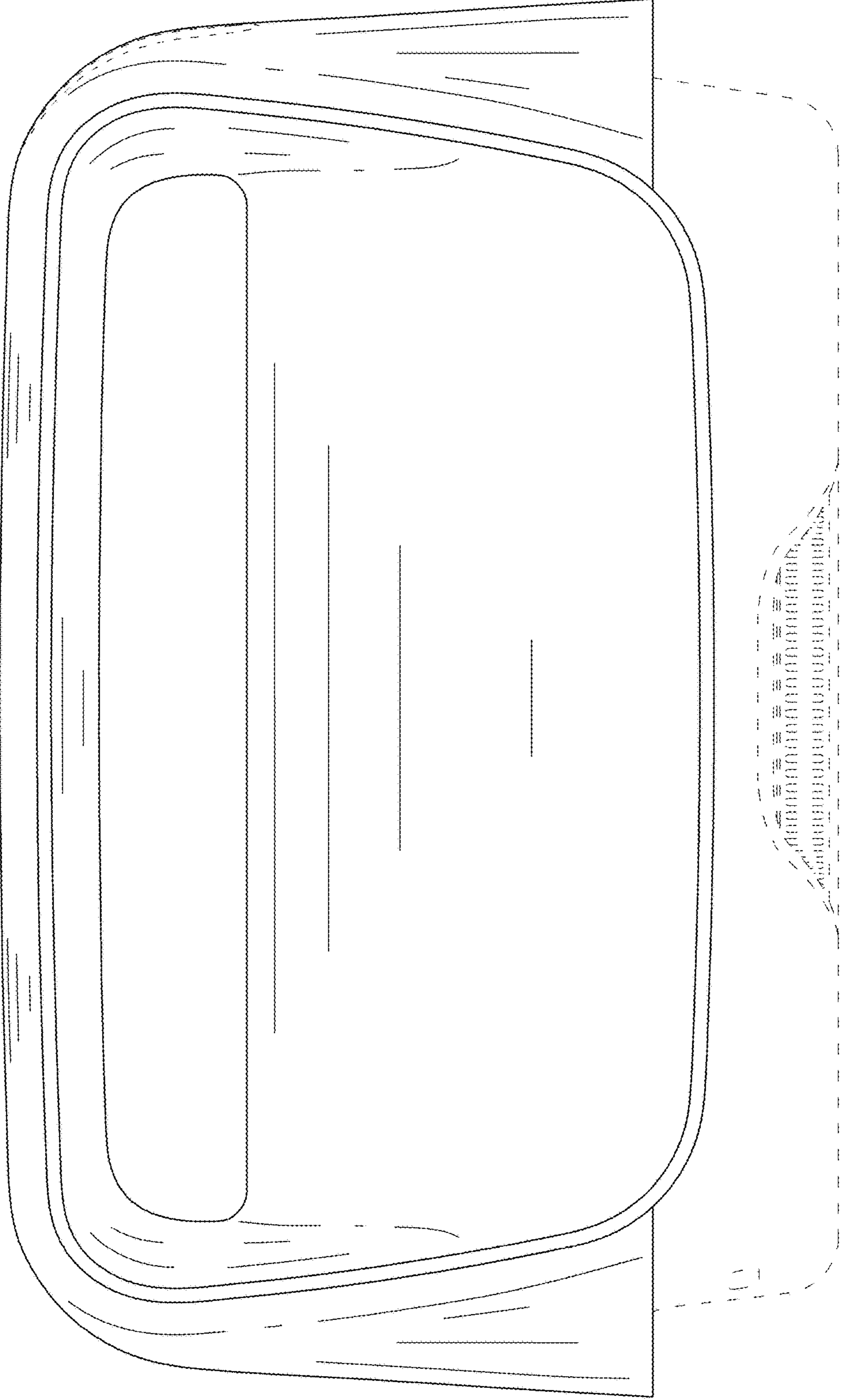


FIG. 4

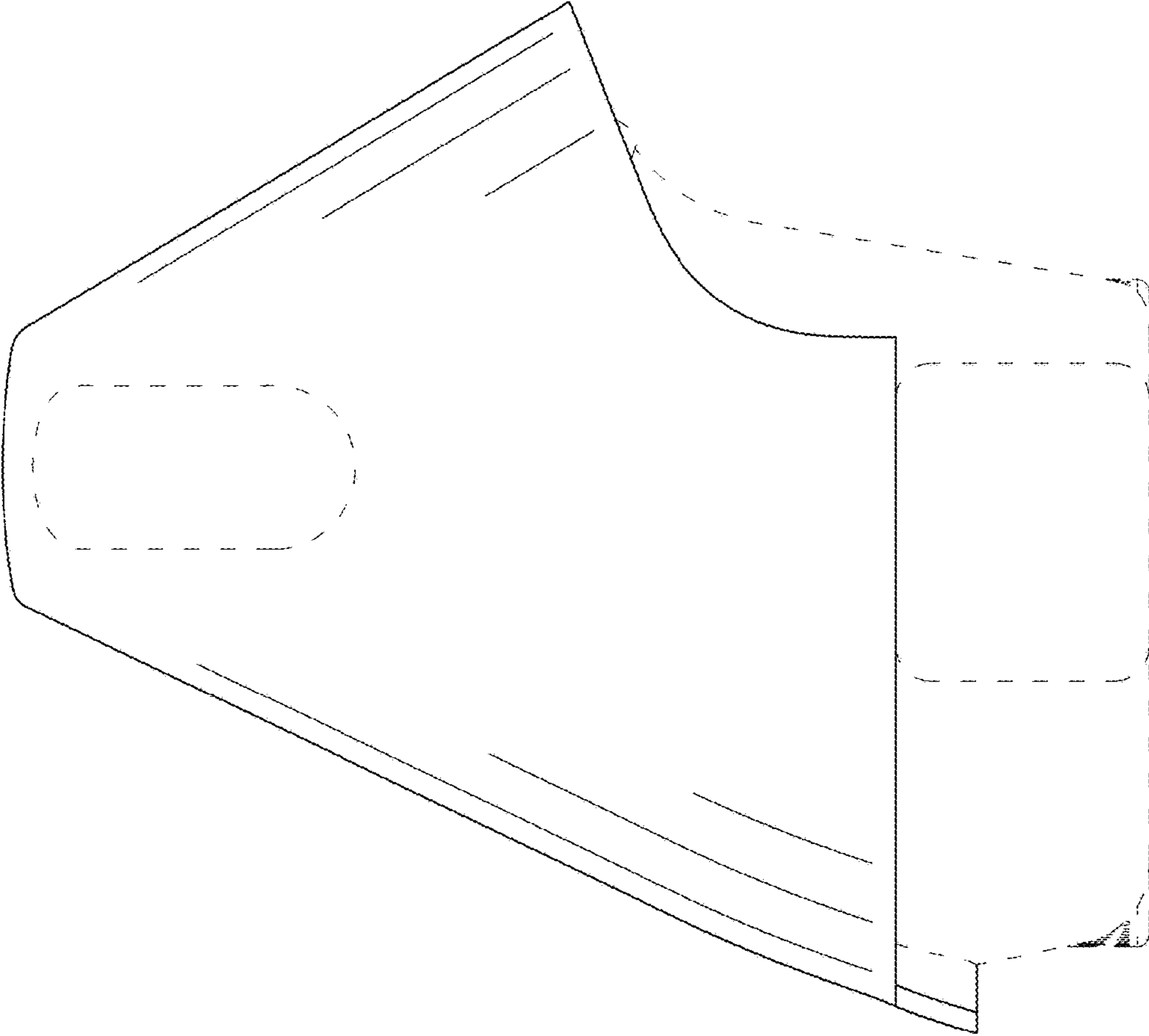


FIG. 5

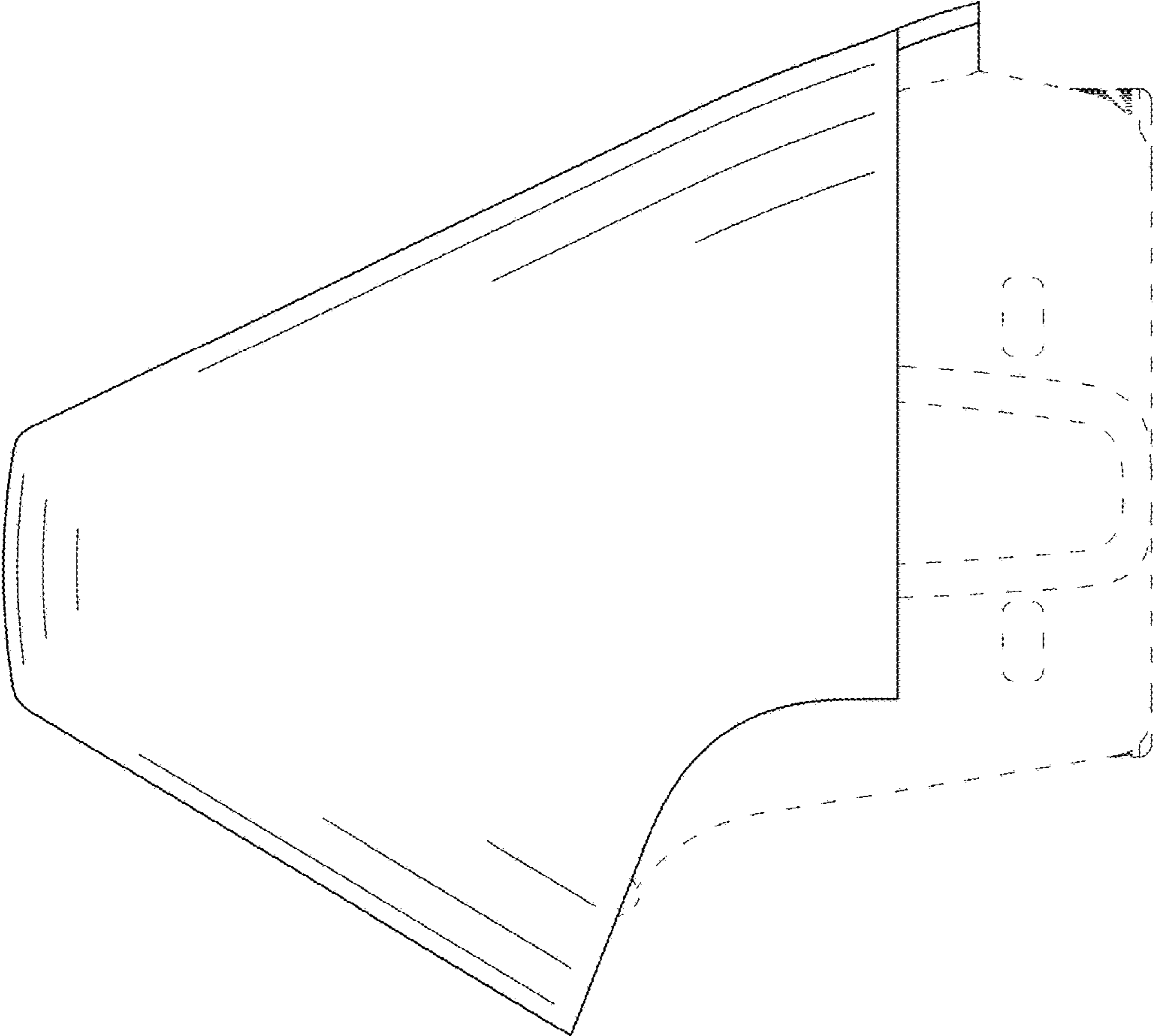


FIG. 6

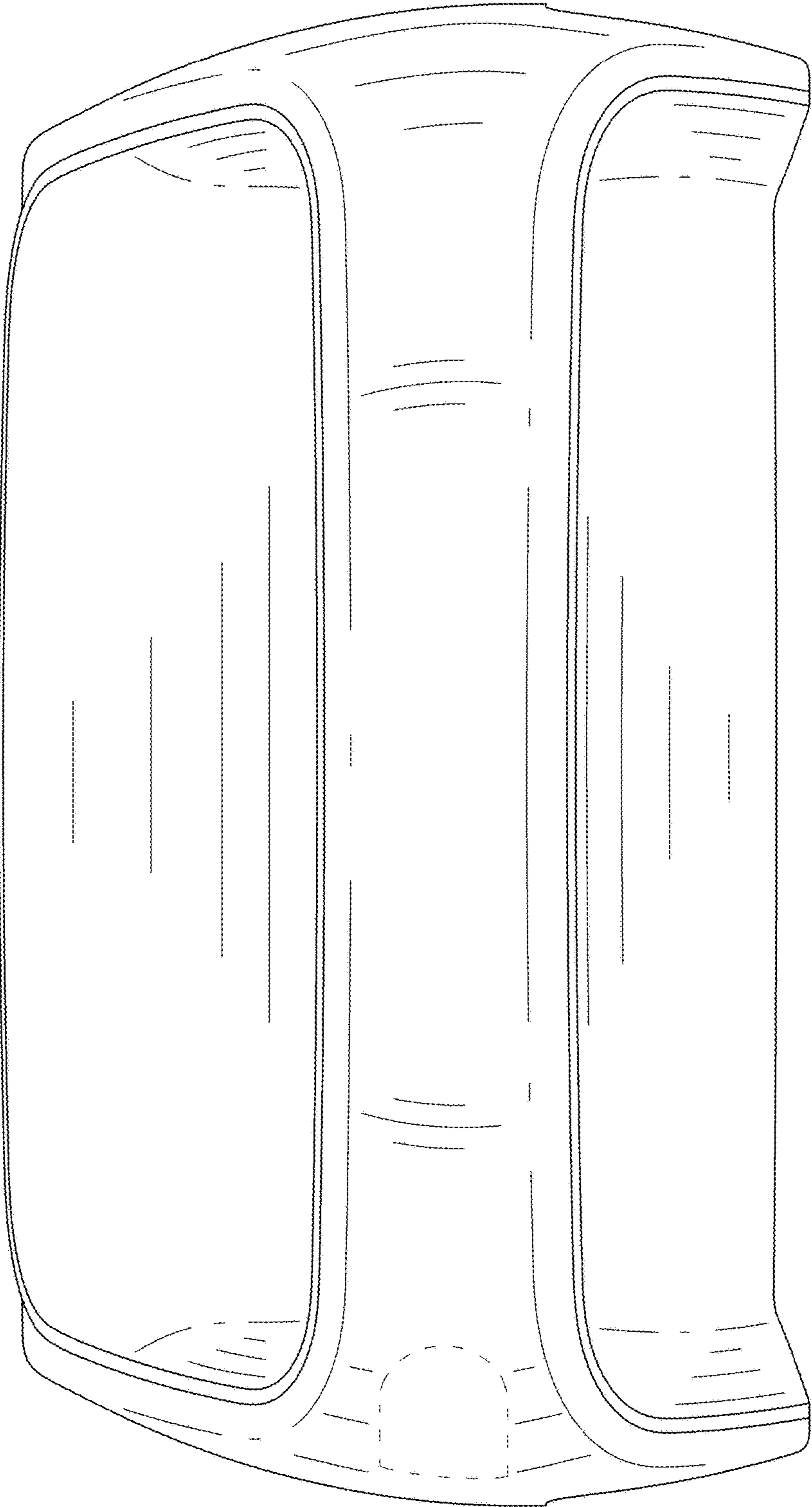


FIG. 7

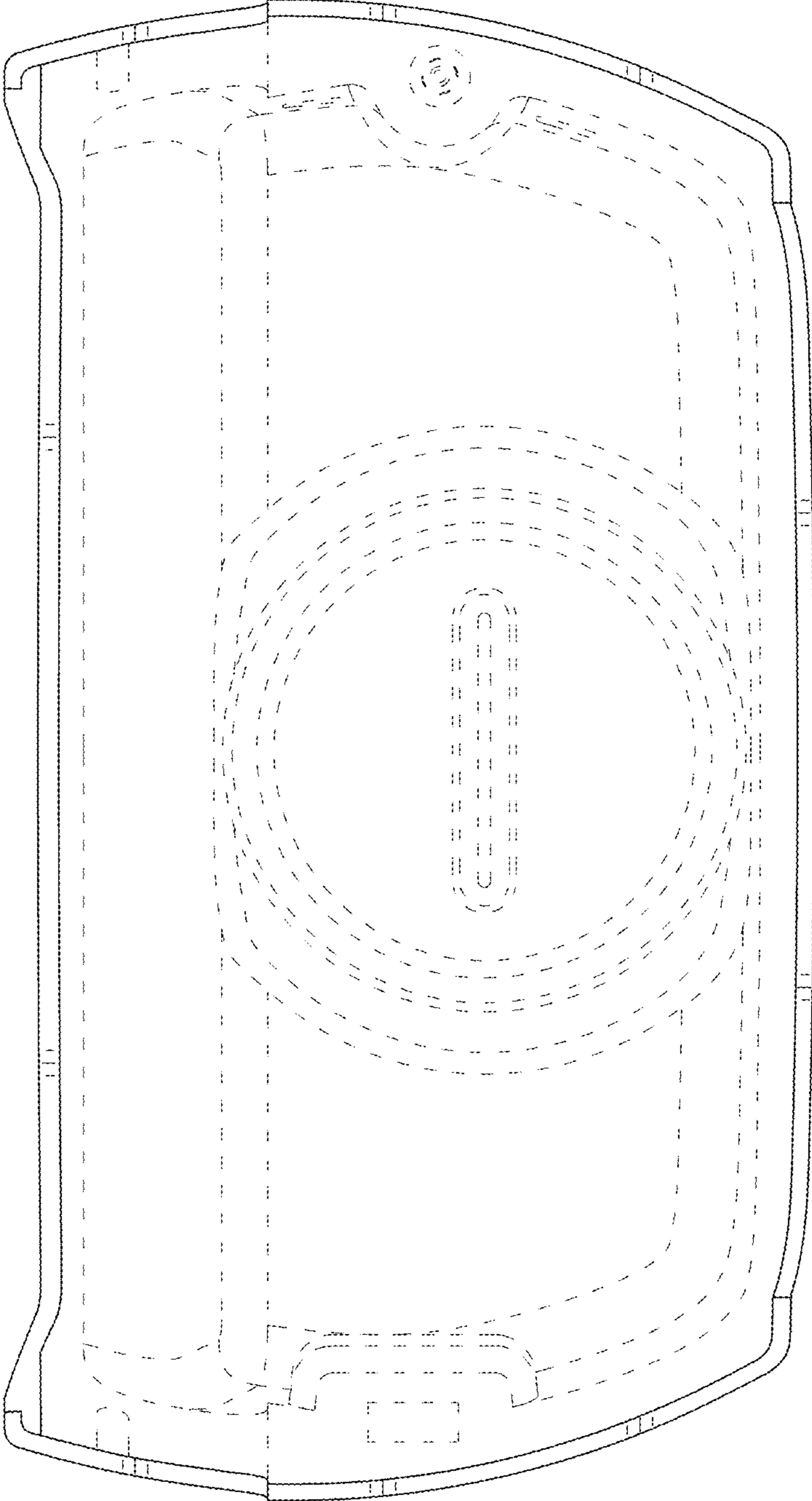


FIG. 8

