



US00D794169S

(12) **United States Design Patent** (10) **Patent No.:** **US D794,169 S**
Licini (45) **Date of Patent:** **** Aug. 8, 2017**

(54) **SHOWER RECEPTOR**

(74) *Attorney, Agent, or Firm* — Foley & Lardner LLP

(71) Applicant: **Kohler Co.**, Kohler, WI (US)

(72) Inventor: **Frederic Licini**, L'Etang la Ville (FR)

(57) **CLAIM**

(73) Assignee: **KOHLER CO.**, Kohler, WI (US)

I claim the ornamental design for a shower receptor, as shown and described.

(**) Term: **15 Years**

(21) Appl. No.: **29/597,267**

(22) Filed: **Mar. 15, 2017**

DESCRIPTION

Related U.S. Application Data

(62) Division of application No. 29/573,926, filed on Aug. 10, 2016, now Pat. No. Des. 785,148, which is a division of application No. 29/527,948, filed on May 22, 2015, now Pat. No. Des. 766,408.

(51) **LOC (10) Cl.** **23-02**

(52) **U.S. Cl.**
USPC **D23/304**

(58) **Field of Classification Search**
USPC D23/283, 303–304
CPC . A47K 3/40; A47K 3/325; A47K 3/30; A47K 3/32; A47K 3/285; A47K 3/286
See application file for complete search history.

FIG. 1 is a top, front, right perspective view of an embodiment of the claimed design;
FIG. 2 is a top, rear, left perspective view of the design shown in FIG. 1;
FIG. 3 is top plan view of the design shown in FIG. 1;
FIG. 4 is a rear elevation view of the design shown in FIG. 1;
FIG. 5 is a front elevation view of the design shown in FIG. 1;
FIG. 6 is a left elevation view of the design shown in FIG. 1;
FIG. 7 is a right elevation view of the design shown in FIG. 1;
FIG. 8 is a cross-sectional view taken along line 8-8 in FIG. 3; and,
FIG. 9 is a cross-sectional view taken along line 9-9 in FIG. 3.

The ornamental design which is claimed is shown in solid lines in the drawings. The broken lines in the drawings form no part of the claimed design. Broken lines formed by equal length dashes show unclaimed subject matter. Broken lines formed of unequal length dashes (i.e., dash-dot) define bounds of the claimed design. Broken away symbols having a jagged element show that no particular length of the portion is claimed.

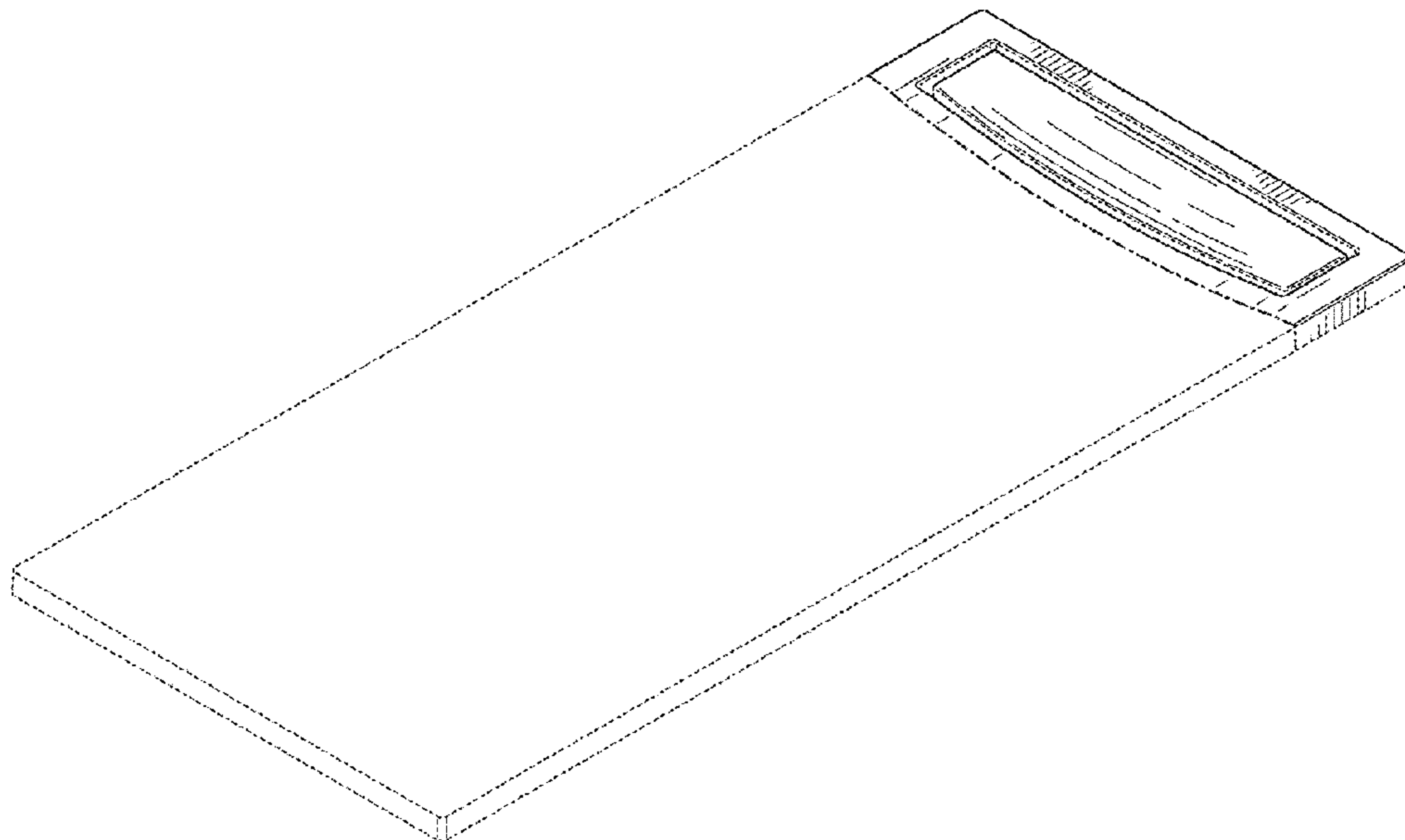
(56) **References Cited**

U.S. PATENT DOCUMENTS

D255,829 S	7/1980	Swenson
D532,877 S	11/2006	Hisey
D596,721 S	7/2009	Hisey
D611,129 S	3/2010	Hisey
7,739,757 B2	6/2010	Witt
8,474,069 B1	7/2013	Whitinger
D692,992 S	11/2013	Whitinger

1 Claim, 5 Drawing Sheets

Primary Examiner — Robert Delehanty



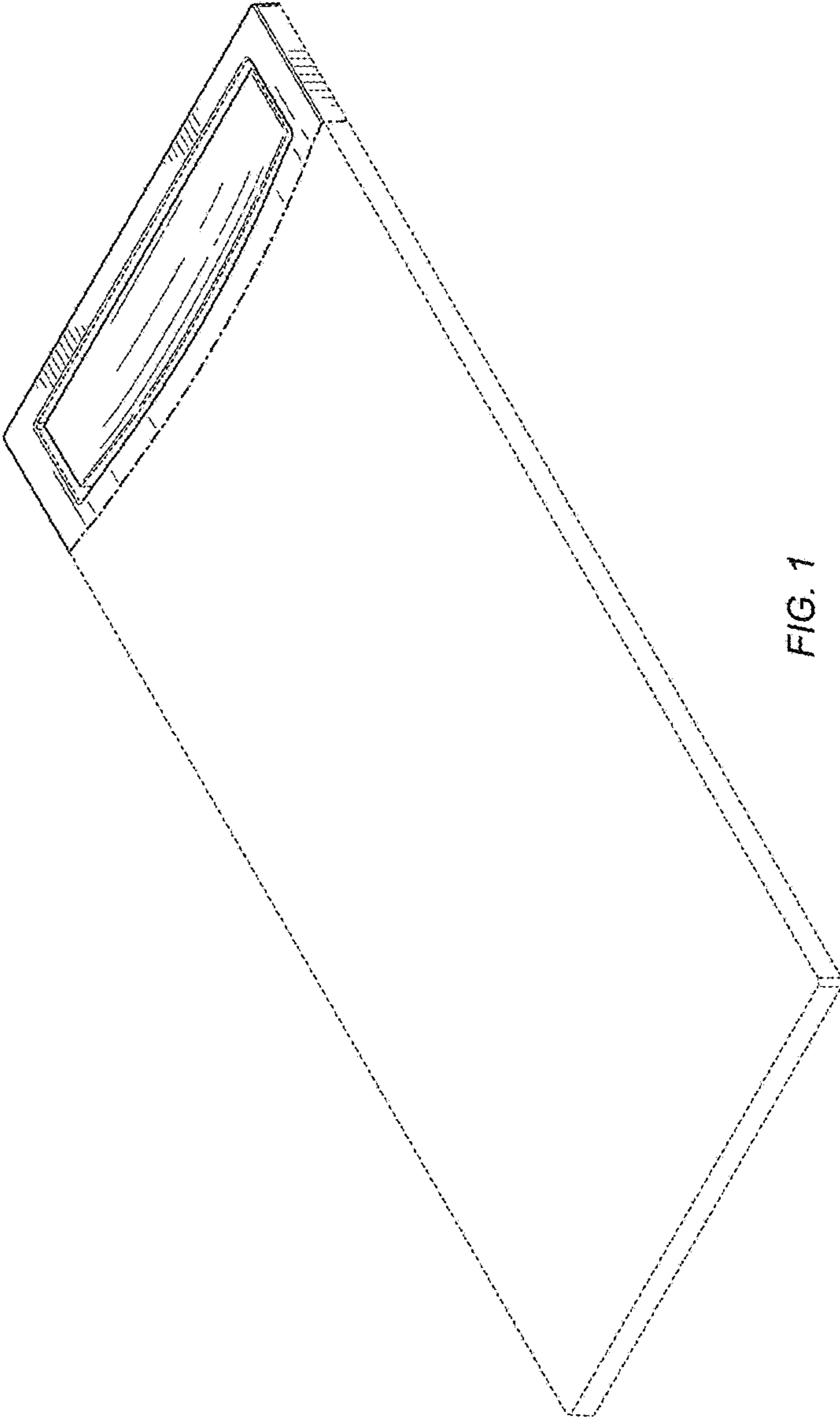
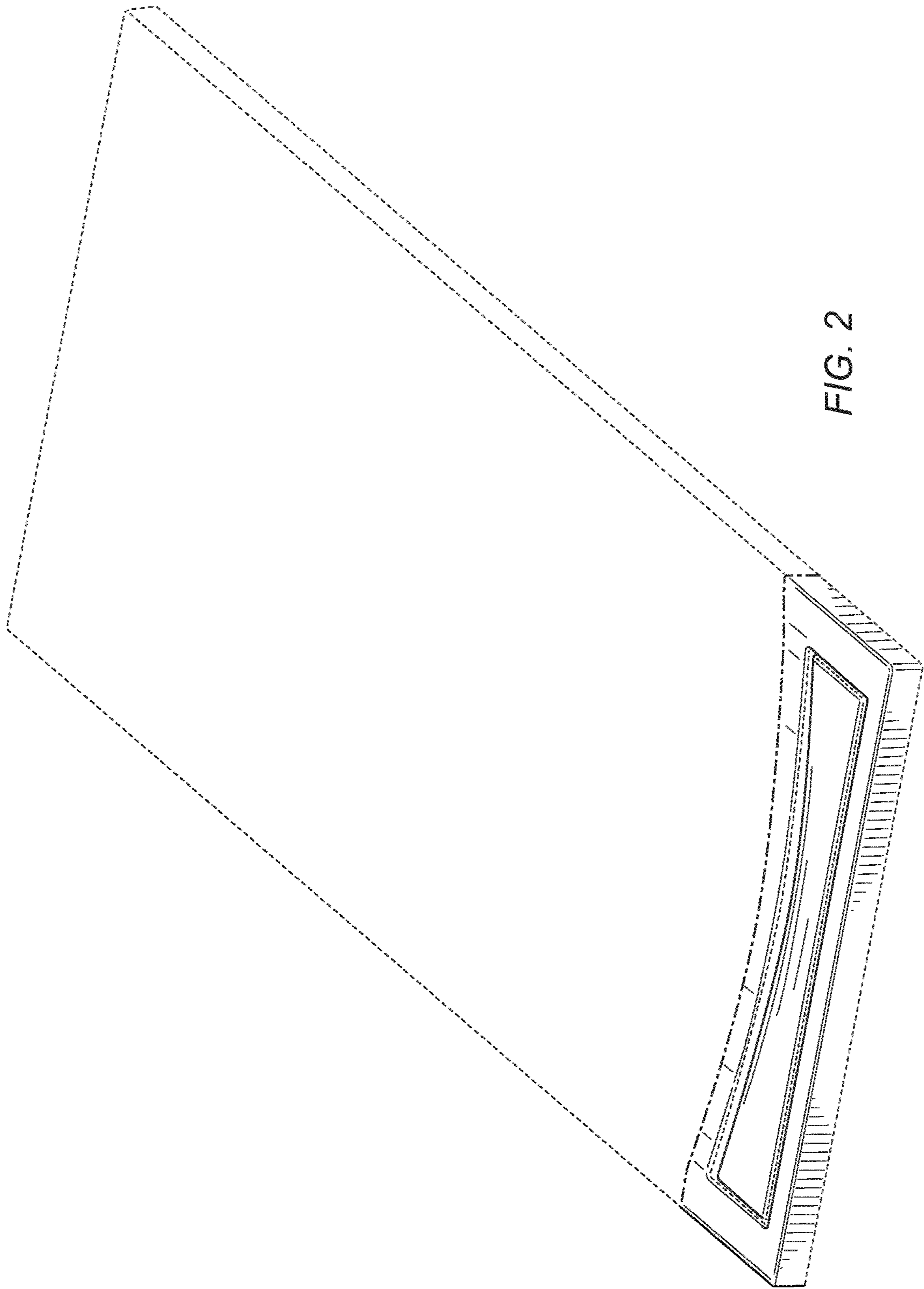


FIG. 1



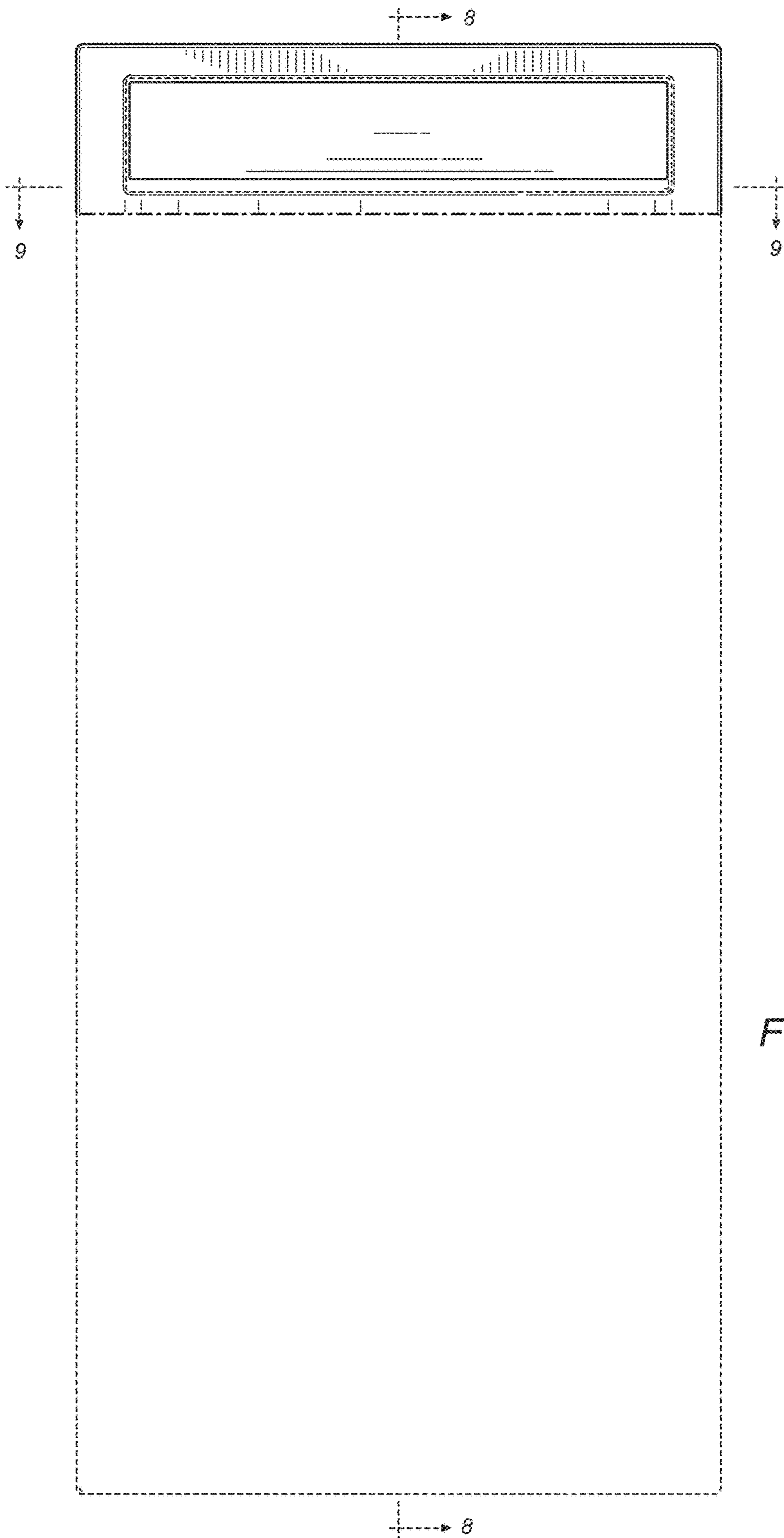


FIG. 3

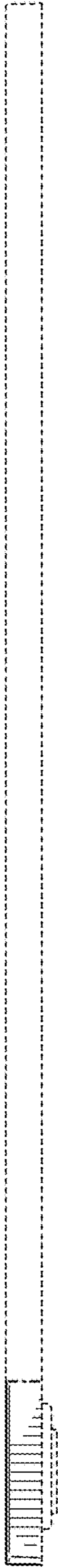


FIG. 4

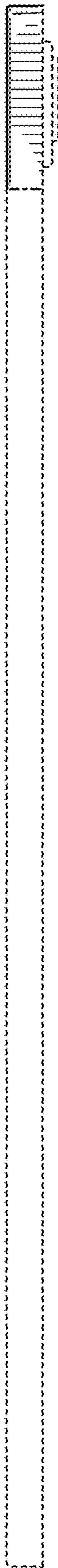


FIG. 5

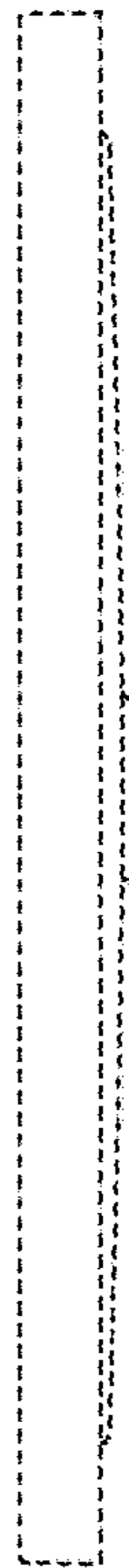


FIG. 6

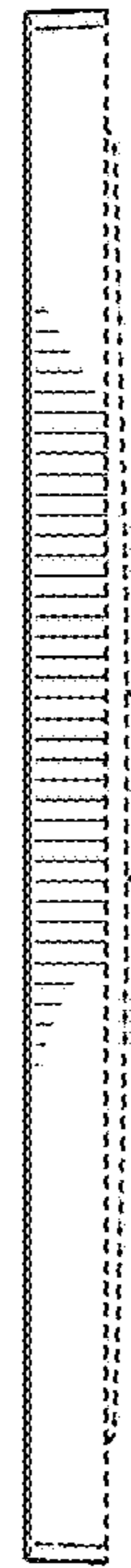


FIG. 7

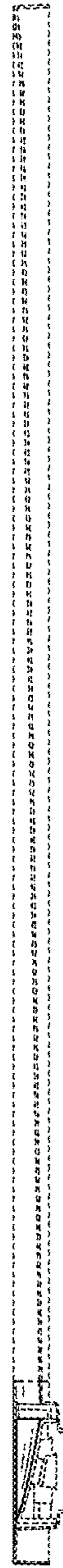


FIG. 8

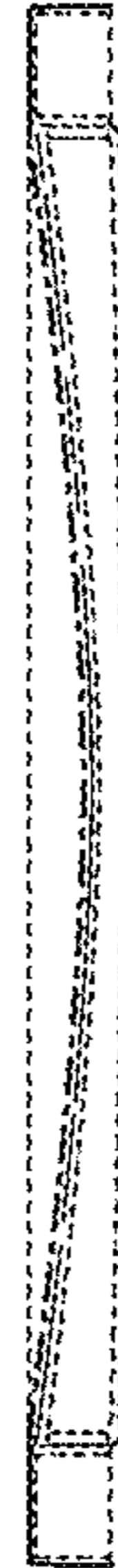


FIG. 9