

US00D794165S

(12) **United States Design Patent** (10) **Patent No.:** **US D794,165 S**
Adey et al. (45) **Date of Patent:** **** Aug. 8, 2017**

(54) **PIPE FITMENT**

FOREIGN PATENT DOCUMENTS

(71) Applicant: **Adey Holdings (2008) Limited**,
Cheltenham (GB)

BE 546074 A 10/1959
DE 4310795 C1 7/1994

(Continued)

(72) Inventors: **Christopher Adey**, Cheltenham (GB);
Matthew Taylor, Cheltenham (GB);
Simon Downie, Cheltenham (GB)

OTHER PUBLICATIONS

(73) Assignee: **ADEY HOLDINGS (2008) LIMITED**,
Cheltenham (GB)

Adey Professional Heating Solutions "MagnaClean Professional 2",
www.adey.com. 2014. shown in p. 1.*

(**) Term: **15 Years**

Primary Examiner — Cynthia Ramirez

Assistant Examiner — Michael Maharajh

(21) Appl. No.: **29/560,406**

(74) *Attorney, Agent, or Firm* — Shumaker, Loop &
Kendrick, LLP

(22) Filed: **Apr. 6, 2016**

Related U.S. Application Data

(63) Continuation of application No. 14/402,955, filed as
application No. PCT/GB2013/051330 on May 21,
2013.

(57) **CLAIM**

The ornamental design for a pipe fitment, as shown and
described.

(51) **LOC (10) Cl.** **23-01**

(52) **U.S. Cl.**
USPC **D23/233**

(58) **Field of Classification Search**
USPC D23/233–250, 259, 266, 362, 363;
251/149.6, 144, 148; 141/346; 285/188,
285/12; 403/385, 388, 394, 384, 49, 164,
403/323, 322; 137/138, 218, 594, 318,
137/556, 875
CPC ... E04G 7/16; Y10T 403/30; Y10T 403/7105;
Y10T 403/7158; F16L 29/02; F16L
37/40; F16L 37/084; F16L 37/00; F16K
15/188; F16K 15/181

See application file for complete search history.

DESCRIPTION

FIG. 1 is a front-left perspective view of a pipe fitment
showing our new design;
FIG. 2 is a front elevational view thereof;
FIG. 3 is a rear elevational view thereof;
FIG. 4 is a left-side elevational view thereof;
FIG. 5 is a right-side elevational view thereof;
FIG. 6 is a top plan view thereof;
FIG. 7 is a bottom plan view thereof; and,
FIG. 8 is a front-right perspective view thereof.
The ornamental design which is claimed is shown in solid
lines in the drawings. The broken lines shown in the figures
are for the purpose of illustrating portions of the pipe fitment
and form no part of the claimed design. The logo, letters and
numbers shown in broken lines are for the purpose of
illustrating environment and form no part of the claimed
design.

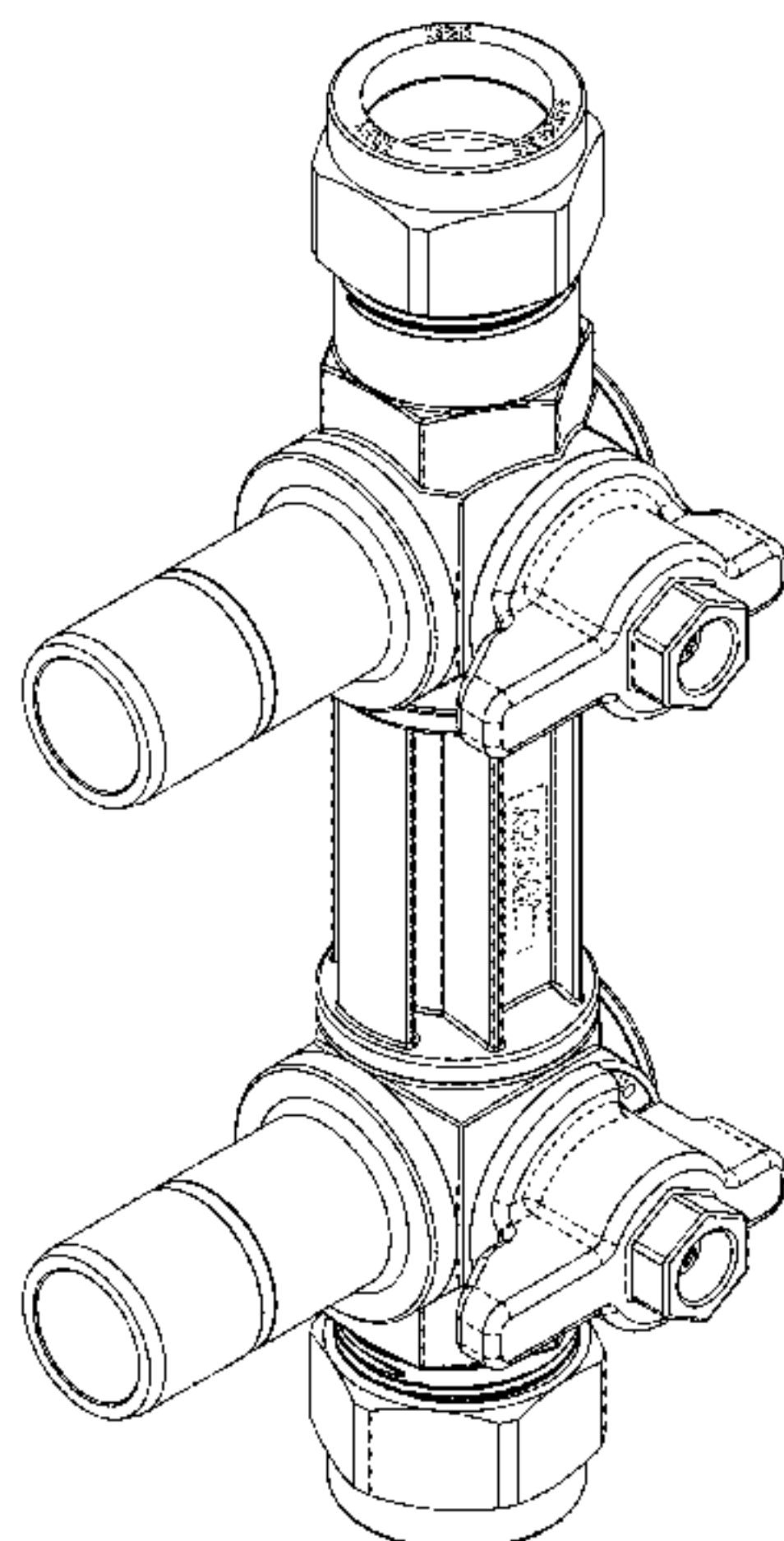
(56) **References Cited**

U.S. PATENT DOCUMENTS

3,339,740 A 9/1967 Starzyk
3,696,927 A 10/1972 Jakobsson et al.
D229,561 S * 12/1973 Sloan D23/245
4,544,483 A 10/1985 Arvai

(Continued)

1 Claim, 8 Drawing Sheets



(56)

References Cited

U.S. PATENT DOCUMENTS

4,881,573	A	11/1989	Durant et al.	
5,201,552	A	4/1993	Hohmann et al.	
5,257,525	A	11/1993	Clarke	
5,427,465	A *	6/1995	Sato	E04G 7/16 403/385
D400,970	S *	11/1998	Voo	D23/245
7,469,880	B2 *	12/2008	Green	F16L 37/091 251/148
D678,981	S *	3/2013	Shengyong	D23/233
D720,048	S *	12/2014	Winborn	D23/233
D762,819	S *	8/2016	Shishido	D23/235
D771,223	S *	11/2016	Rycroft	D23/233
2005/0167352	A1	8/2005	Burrows et al.	
2008/0000820	A1	1/2008	Mitchell	
2012/0067802	A1	3/2012	Irvin	
2016/0153571	A1 *	6/2016	Braga	F16K 37/0008 137/556

FOREIGN PATENT DOCUMENTS

EP	2453157	A2	5/2012
FR	2693662	A1	1/1994
GB	274729	A	7/1927
GB	737822		10/1955
GB	2349685	A	11/2000
GB	2469145	A	10/2010
GB	2491246	A	11/2012
WO	8402855	A1	8/1984
WO	9942198	A1	8/1999
WO	0045937	A1	8/2000
WO	2012073029	A1	6/2012

* cited by examiner

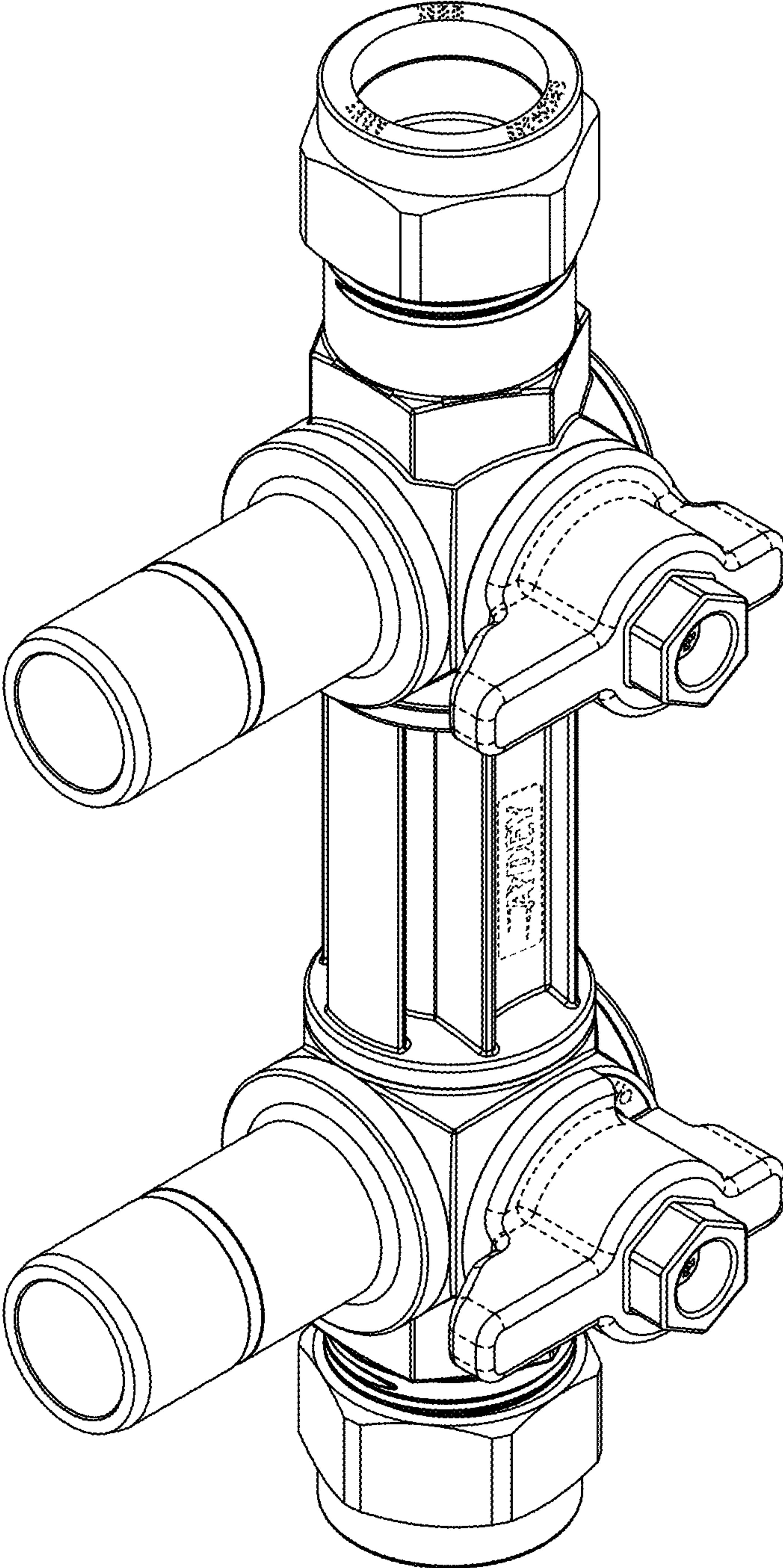


FIG. 1

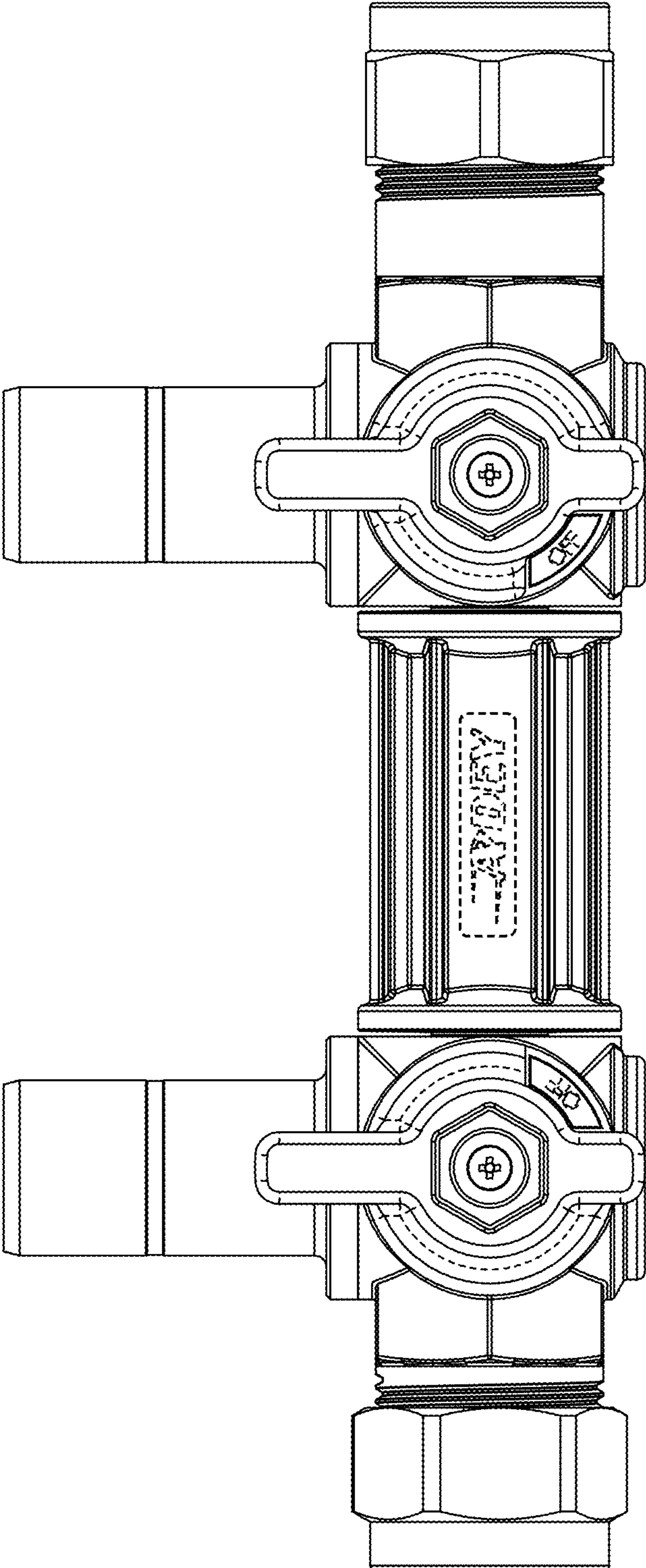


FIG. 2

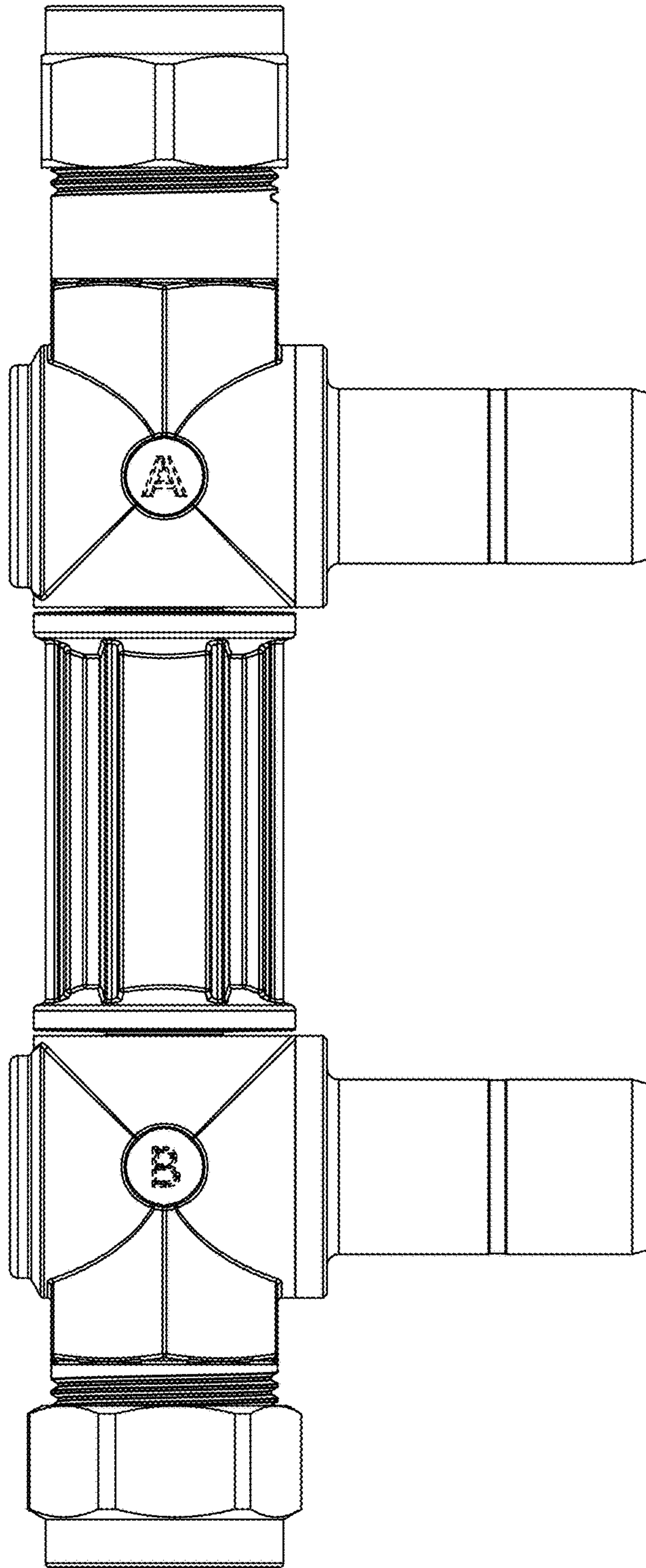


FIG. 3

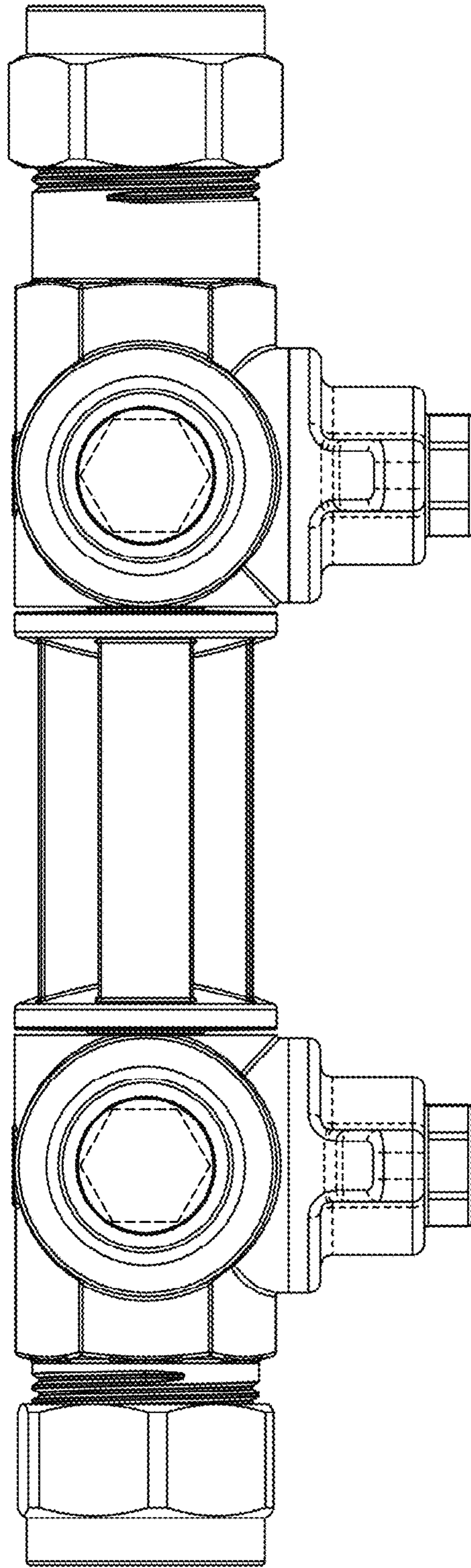


FIG. 4

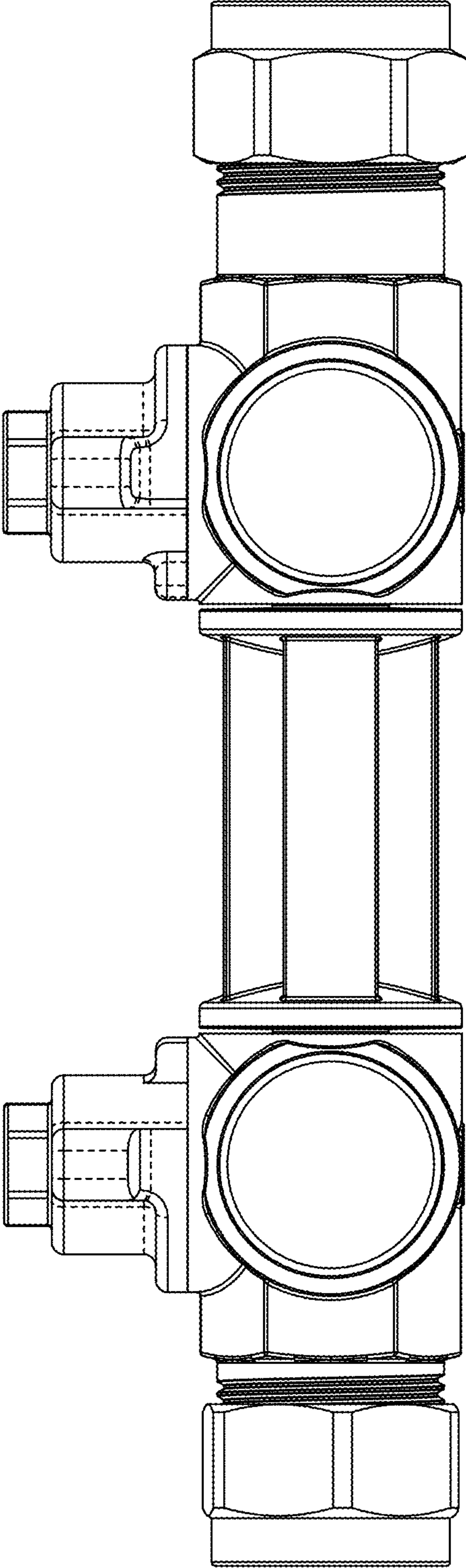


FIG. 5

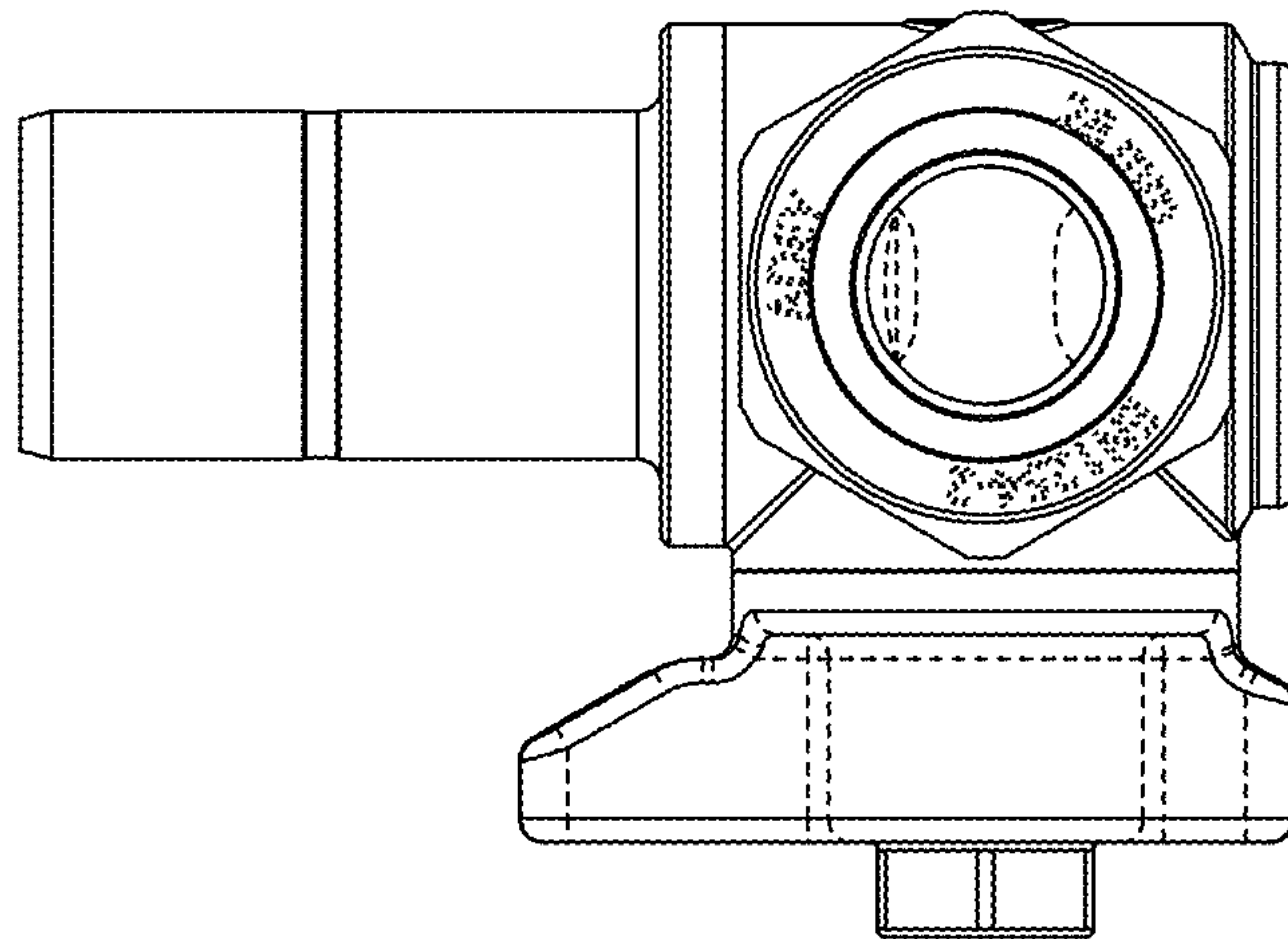


FIG. 6

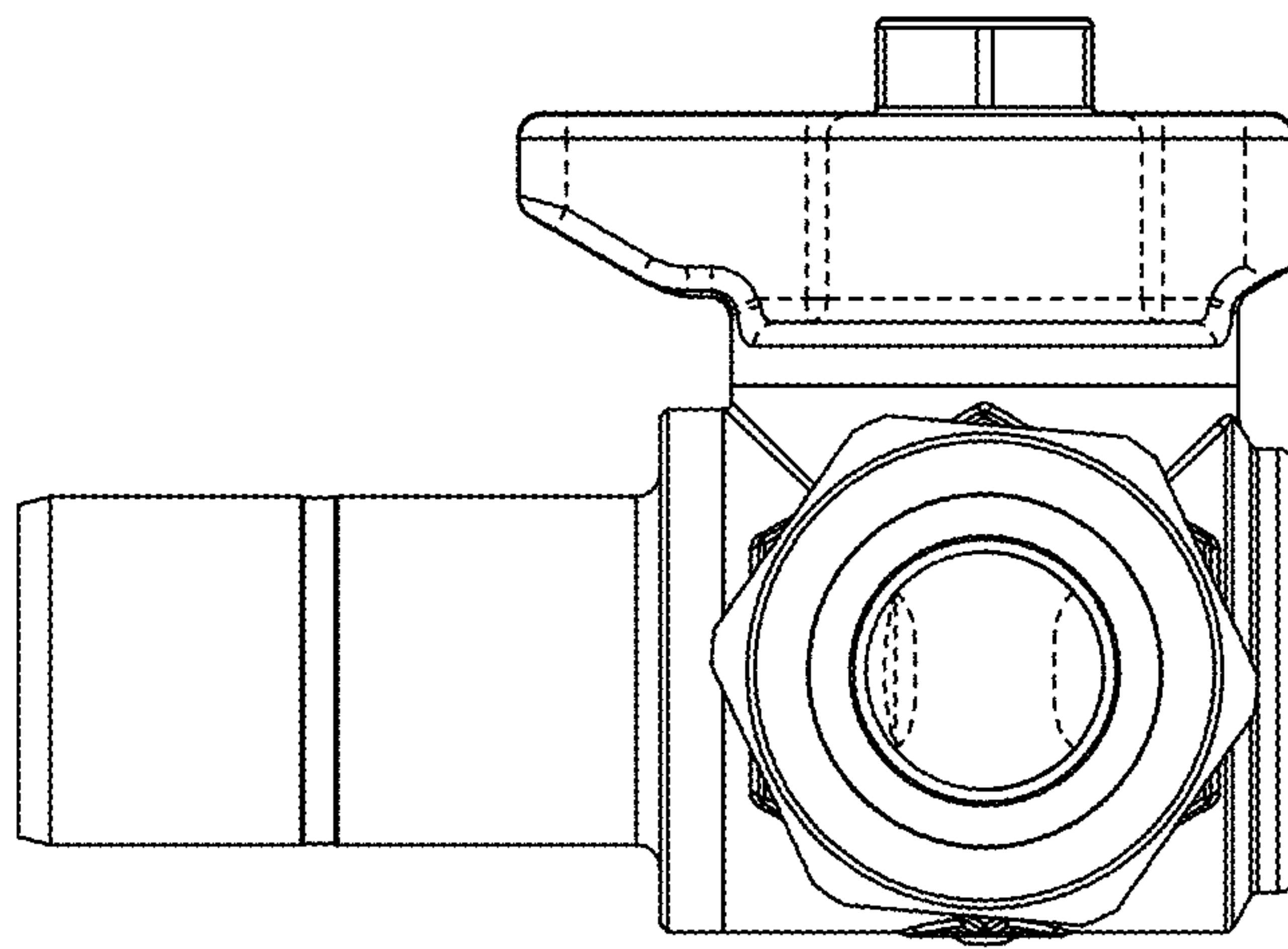


FIG. 7

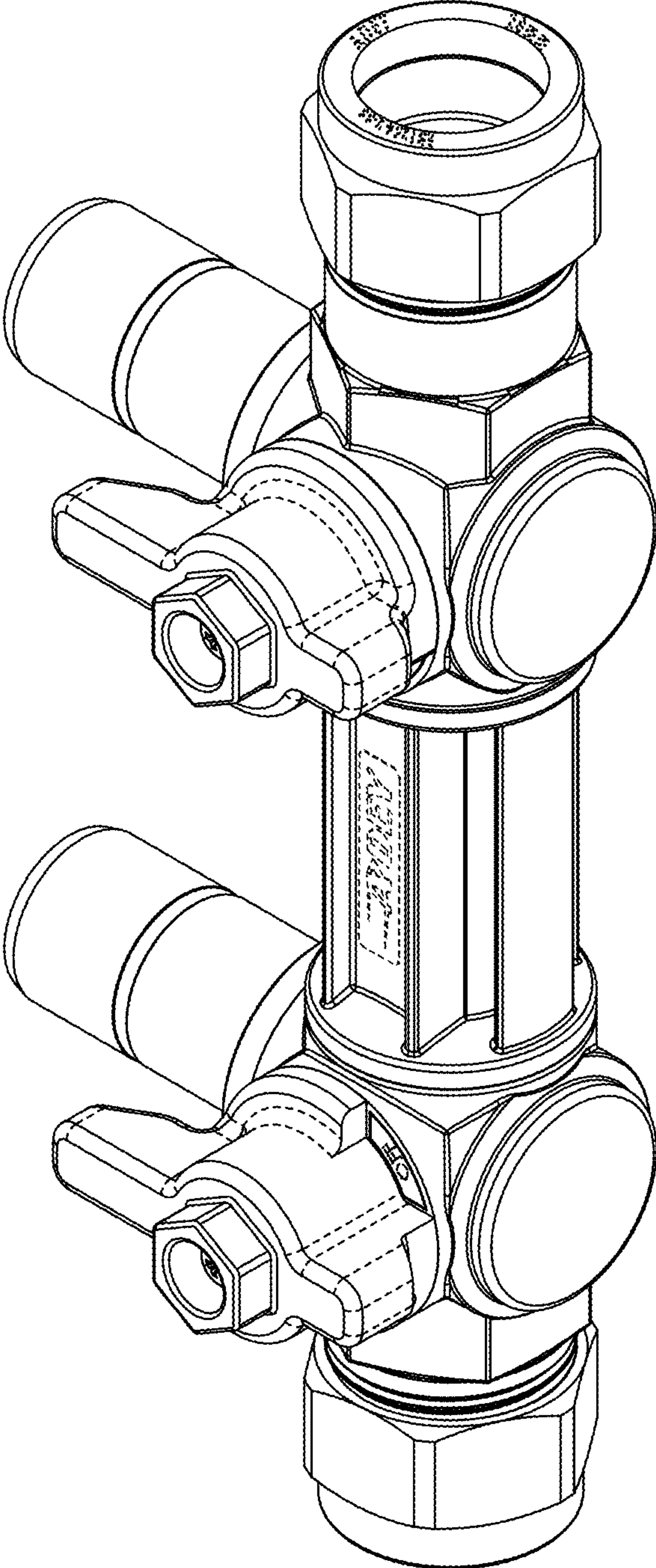


FIG. 8