

US00D794164S

(12) **United States Design Patent** (10) **Patent No.:** **US D794,164 S**
Suzuki et al. (45) **Date of Patent:** **** Aug. 8, 2017**

(54) **FLUID PRESSURE CYLINDER**
(71) Applicant: **SMC CORPORATION**, Tokyo (JP)
(72) Inventors: **Yasunaga Suzuki**, Tsukubamirai (JP);
Hiroyuki Asahara, Tsukubamirai (JP);
Naoki Shinjo, Tsukubamirai (JP)
(73) Assignee: **SMC CORPORATION**, Tokyo (JP)
(**) Term: **15 Years**
(21) Appl. No.: **29/547,873**
(22) Filed: **Dec. 8, 2015**

(56) **References Cited**
U.S. PATENT DOCUMENTS
D499,348 S 12/2004 Matsumoto et al.
D575,175 S 8/2008 Suzuki
D678,475 S 3/2013 Sisk
D770,595 S * 11/2016 Suzuki D23/233

* cited by examiner
Primary Examiner — Cynthia Ramirez
(74) *Attorney, Agent, or Firm* — Birch, Stewart, Kolasch & Birch, LLP

Related U.S. Application Data

(62) Division of application No. 29/487,672, filed on Apr. 10, 2014, now Pat. No. Des. 770,595.
(51) **LOC (10) Cl.** **23-01**
(52) **U.S. Cl.**
USPC **D23/233**
(58) **Field of Classification Search**
USPC D23/233–237, 244–249, 200, 207, 209,
D23/210, 259–269; 137/625.4, 625.64,
137/625.65; D10/85; 73/700; 91/394,
91/395, 407, 408; 251/129.01
CPC F15C 5/00; F16K 99/0001; F16K 11/087;
F16K 11/0782; F16K 11/022
See application file for complete search history.

(57) **CLAIM**
The ornamental design for a fluid pressure cylinder, as shown.

DESCRIPTION

FIG. 1 is a top, front and right-side perspective view of a fluid pressure cylinder showing our new design;
FIG. 2 is a front view thereof;
FIG. 3 is a rear view thereof;
FIG. 4 is a top plan view thereof;
FIG. 5 is a bottom plan view thereof;
FIG. 6 is a left side view thereof; and,
FIG. 7 is a right side view thereof.
The portions of the fluid pressure cylinder shown in broken lines form no part of the claimed design.

1 Claim, 7 Drawing Sheets

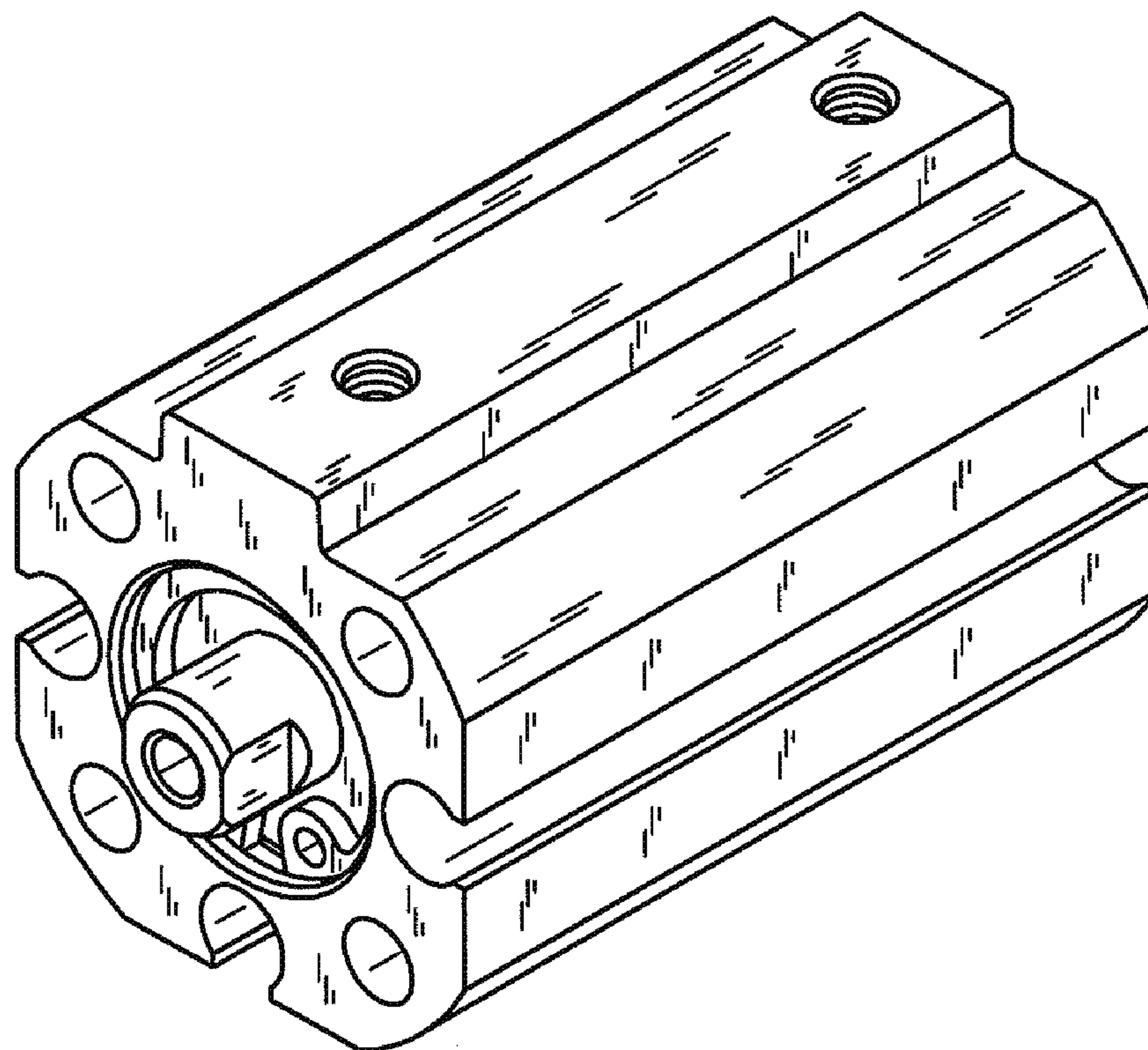


FIG. 1

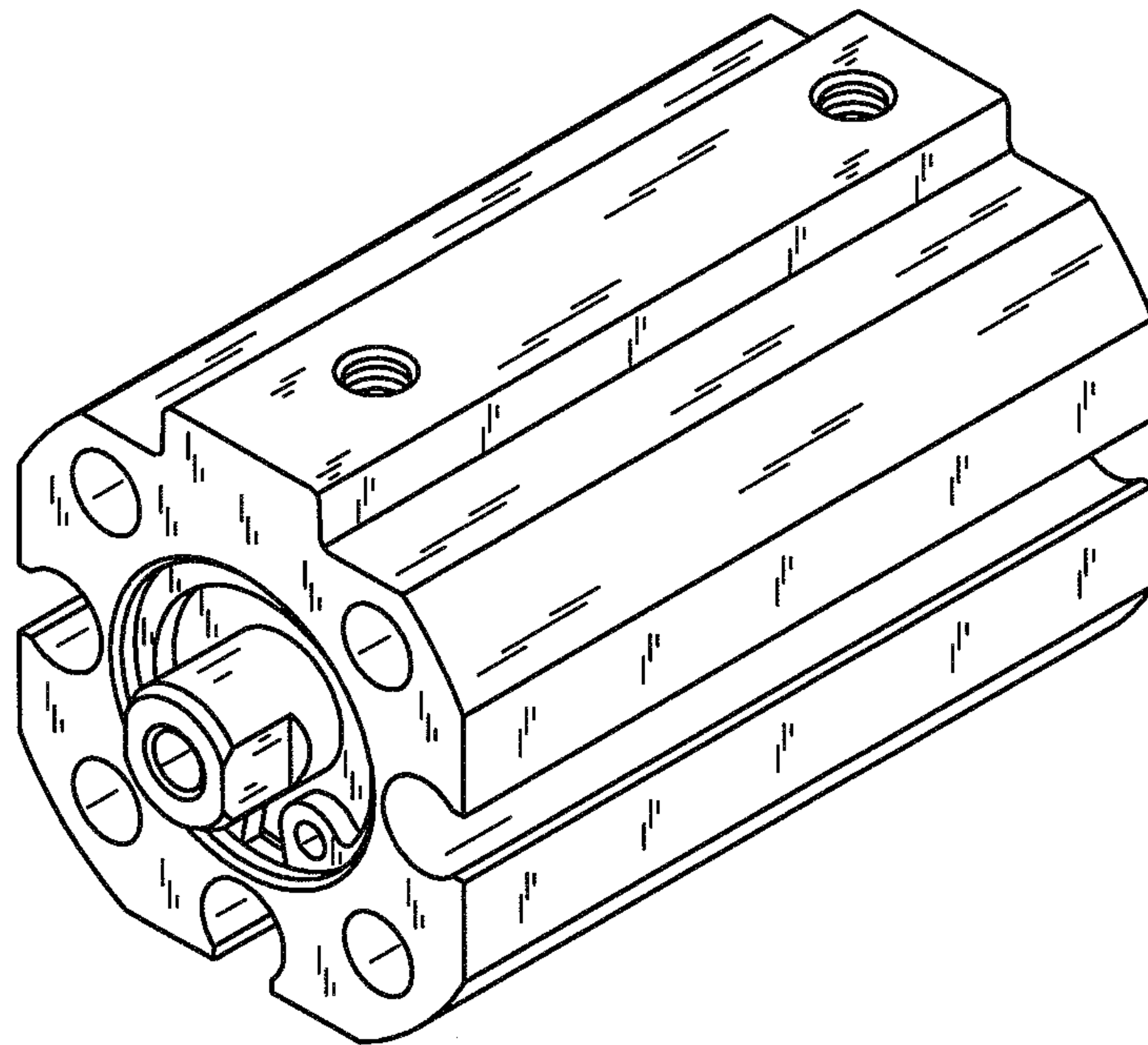


FIG. 2

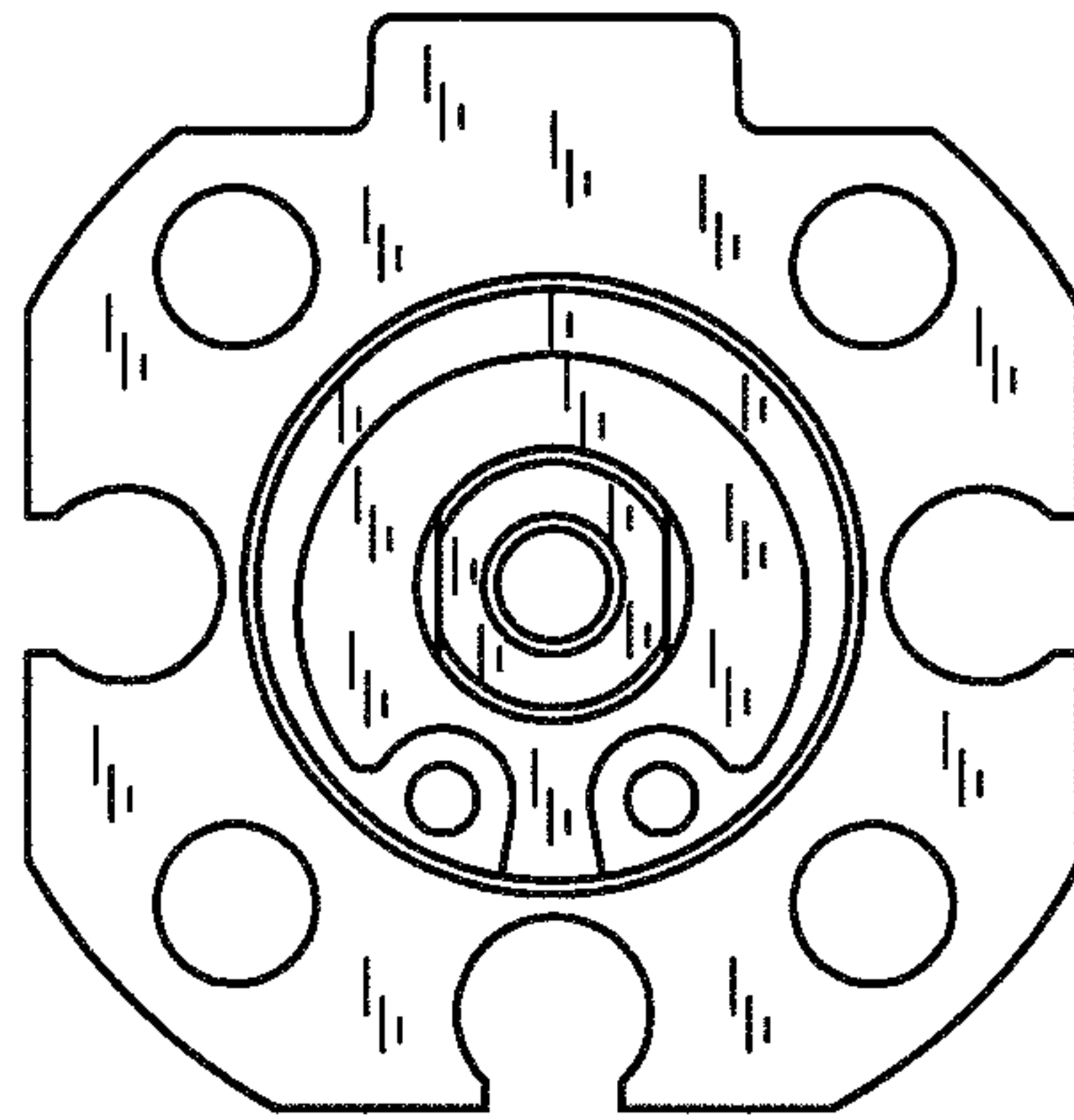


FIG. 3

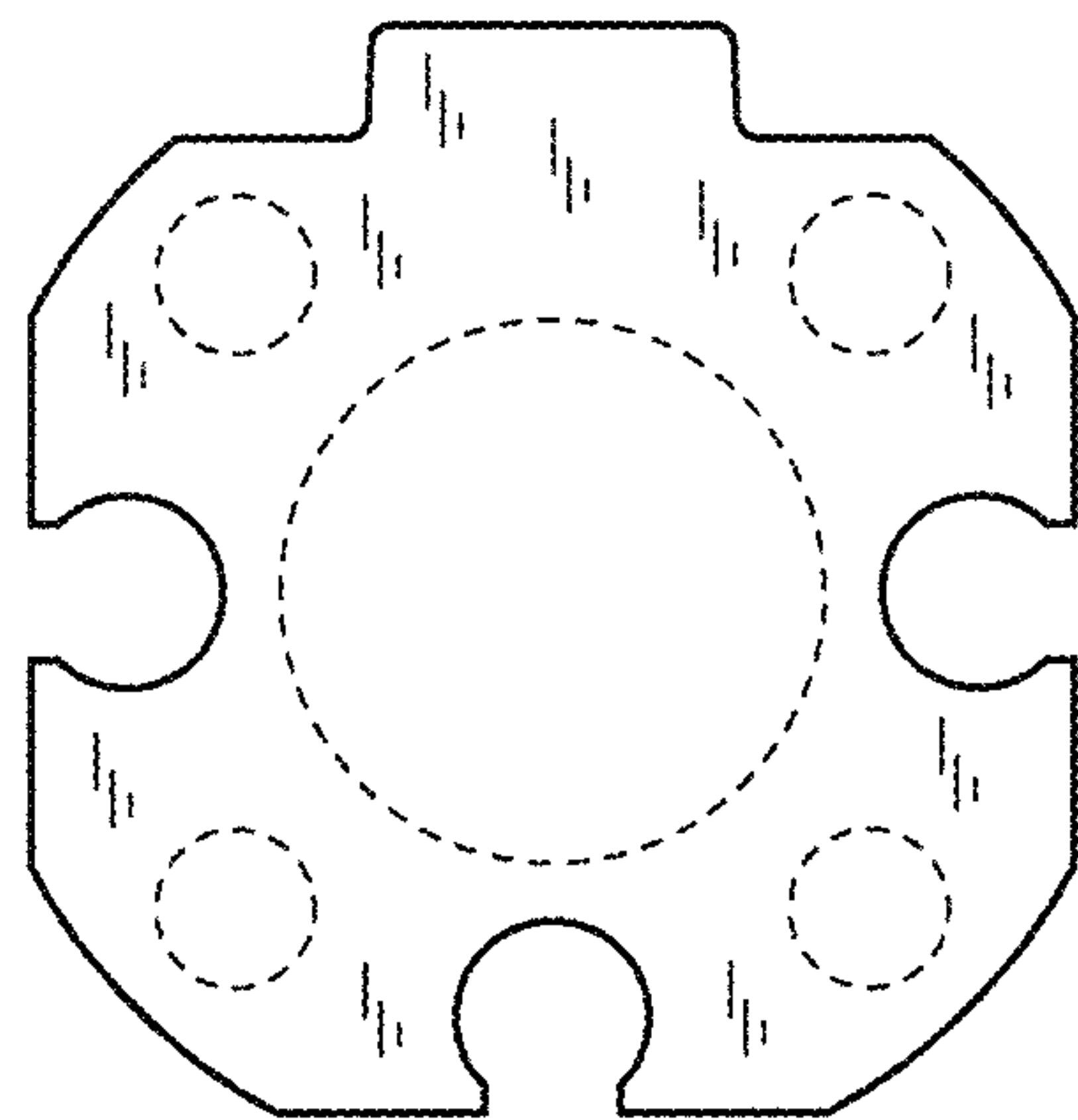


FIG. 4

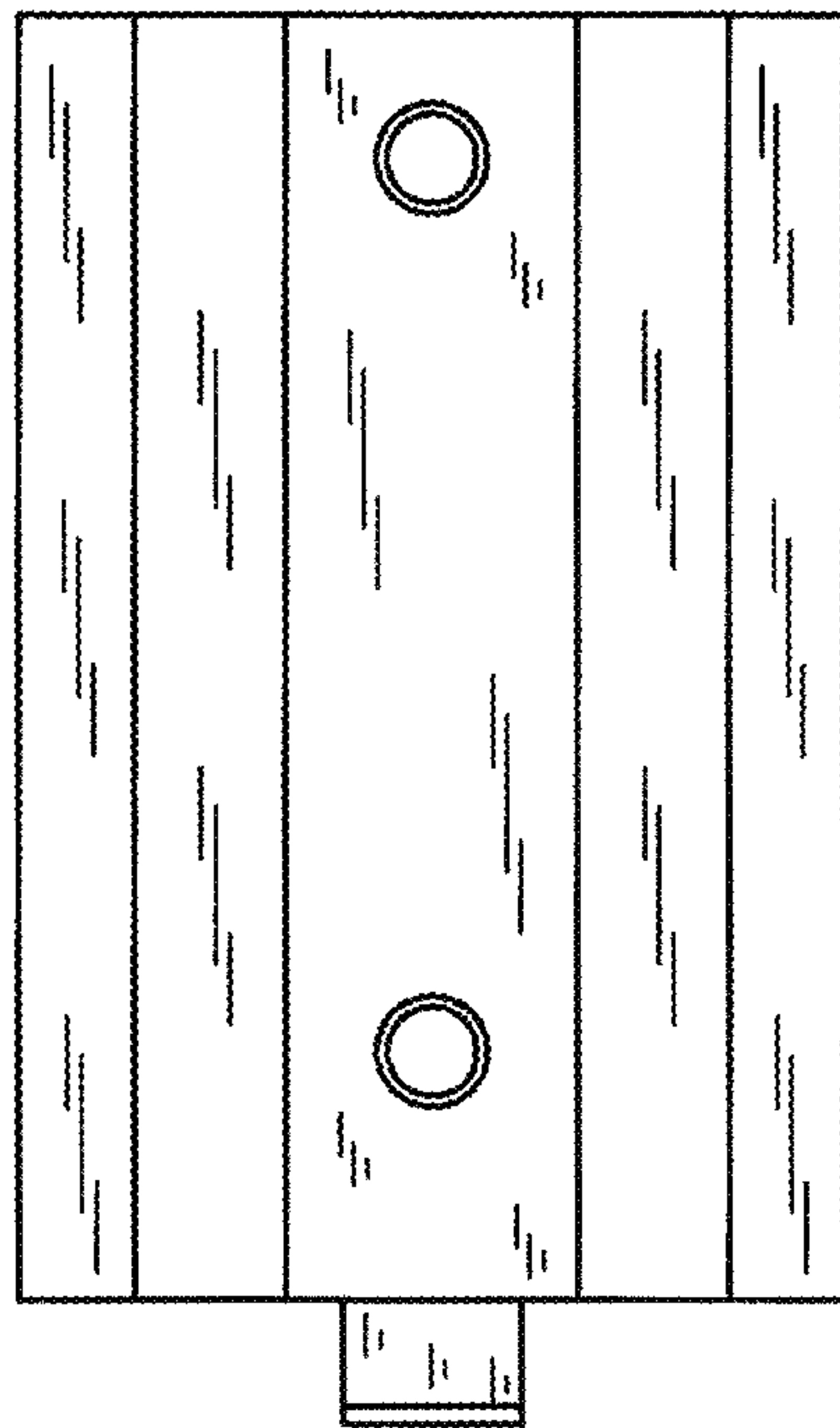


FIG. 5

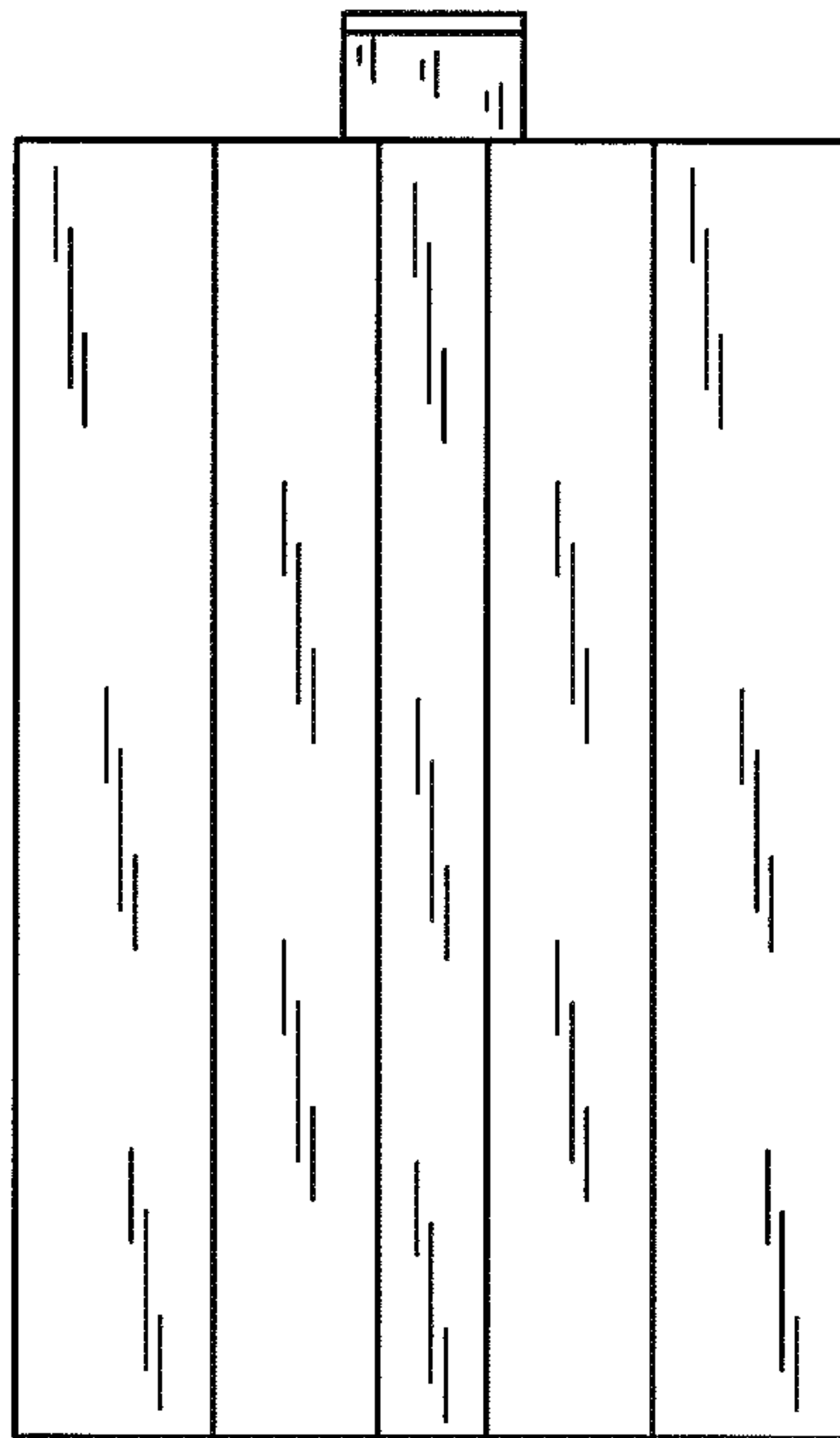


FIG. 6

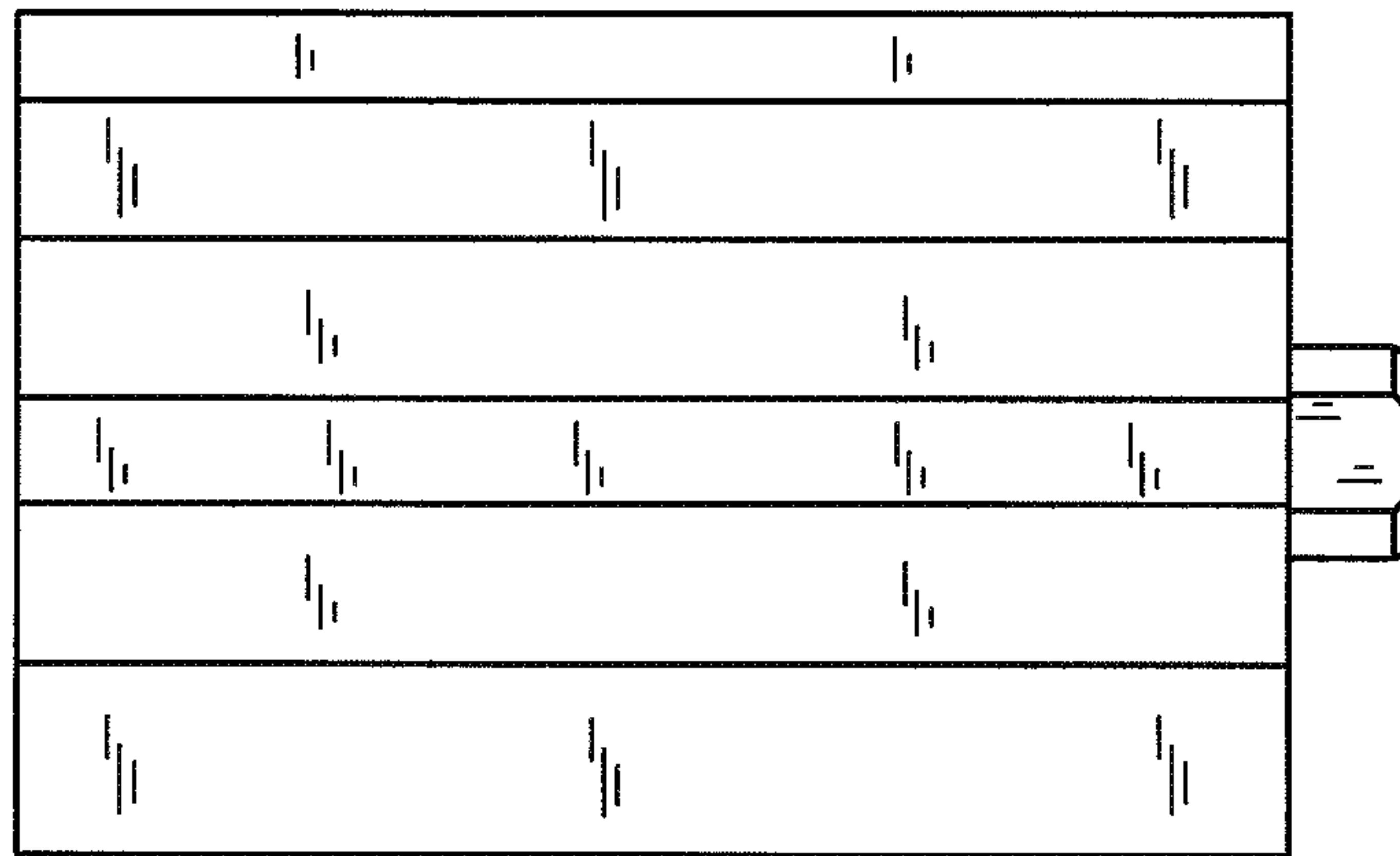


FIG. 7

