



US00D794163S

(12) **United States Design Patent** (10) **Patent No.:** **US D794,163 S**  
**Jones et al.** (45) **Date of Patent:** **\*\* Aug. 8, 2017**

(54) **VALVE** D347,881 S \* 6/1994 Amore, Jr. .... D23/236  
5,940,899 A \* 8/1999 Mankin ..... E03D 1/00  
251/129.12

(71) Applicant: **Boxes Direct Limited**, Walsall (GB) 5,960,482 A \* 10/1999 Chang ..... E03D 1/308  
4/325

(72) Inventors: **Mark Andrew Jones**, West Midlands D424,168 S \* 5/2000 Higgins ..... D23/236  
(GB); **Julie Jones**, West Midlands 6,659,126 B2 \* 12/2003 Dunmire ..... E03C 1/106  
(GB); **Joseph Doyle**, Walsall (GB); 137/271  
**Maurice Doyle**, Walsall (GB) 6,672,331 B2 \* 1/2004 Heald ..... F16K 27/12  
137/315.05

(73) Assignee: **BOXES DIRECT LIMITED**, Walsall D629,869 S \* 12/2010 Flowers ..... D23/233  
(GB) 8,636,026 B2 \* 1/2014 Kelly ..... F16K 15/03  
137/409

(\*\*) Term: **15 Years** 2015/0275491 A1 \* 10/2015 Shinohara ..... E03D 5/094  
4/325

(21) Appl. No.: **29/540,348** 2016/0002903 A1 \* 1/2016 Grover ..... E03D 11/08  
4/405

(22) Filed: **Sep. 23, 2015** 2016/0010317 A1 \* 1/2016 Guthrie ..... F16K 1/20  
4/393

(51) **LOC (10) Cl.** ..... **23-01**

(52) **U.S. Cl.**  
USPC ..... **D23/233**

(58) **Field of Classification Search**  
USPC ..... 4/325, 249, 255.03, 300, 378, 392-396,  
4/420, 427, 431-435, 437, 438, 440-442,  
4/661; D23/233, 236, 237, 244-249;  
137/409, 521, 527; 251/61, 61.1, 357  
CPC ..... F16K 31/047; F16K 31/465; F16K 3/04;  
F16K 11/07; F16K 11/0716; F16K 17/36;  
F16K 31/06; F16K 31/0675; F16K  
31/082; F16K 31/126; F16K 31/18; F16K  
31/20; F16K 31/3855; F16K 31/0033;  
F16K 5/06; F16K 7/12  
See application file for complete search history.

(56) **References Cited**  
U.S. PATENT DOCUMENTS  
3,900,904 A \* 8/1975 Braswell ..... E03D 1/36  
4/367  
D309,938 S \* 8/1990 Schoepe ..... D23/236

\* cited by examiner

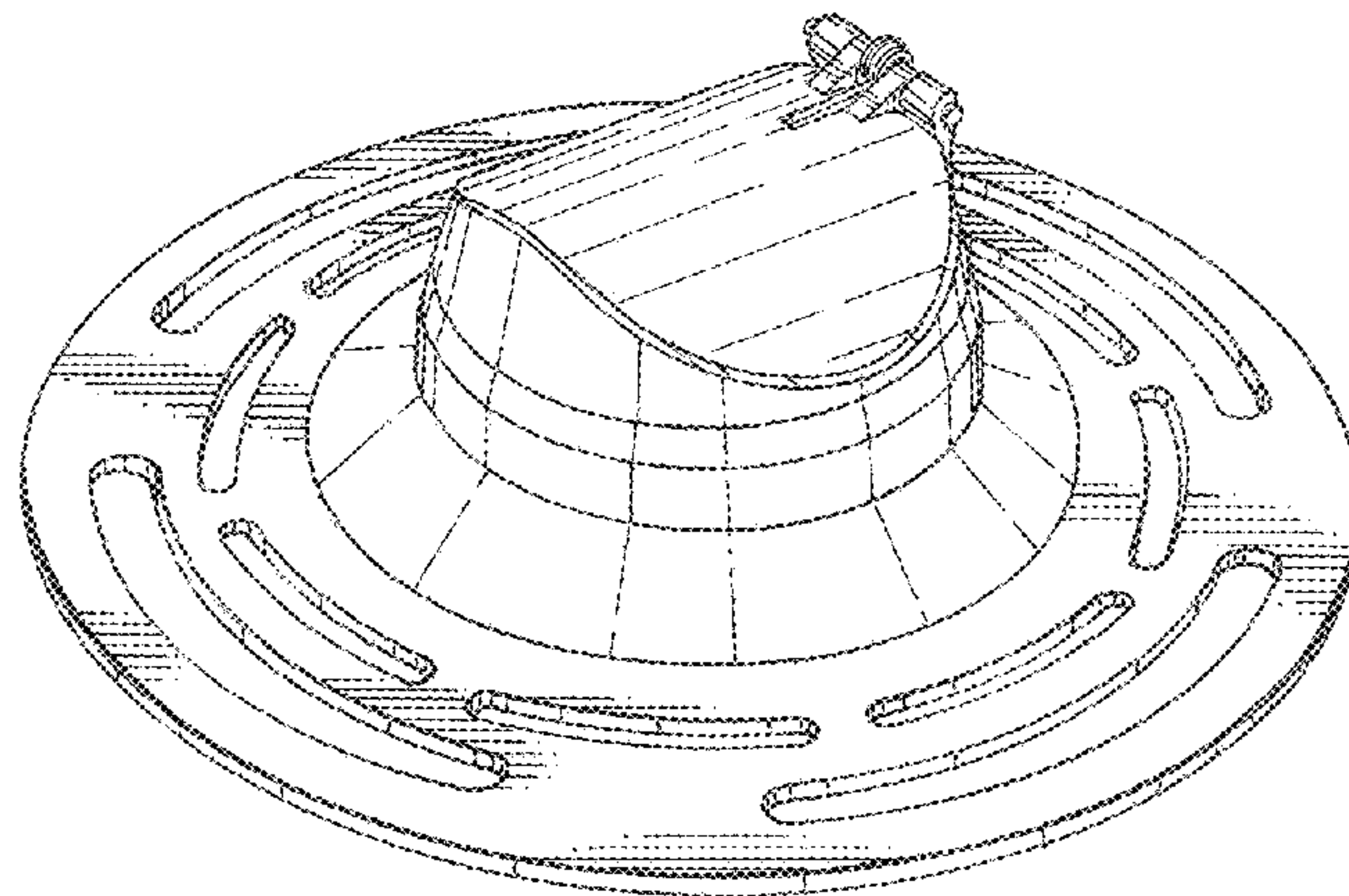
*Primary Examiner* — Cynthia Ramirez  
*Assistant Examiner* — Michael Maharajh  
(74) *Attorney, Agent, or Firm* — Ware, Fressola, Maguire & Barber LLP

(57) **CLAIM**  
The ornamental design for a valve, as shown and described.

**DESCRIPTION**

FIG. 1 is a top perspective view of a valve showing my new design;  
FIG. 2 is a top plan view thereof;  
FIG. 3 is a bottom plan view thereof;  
FIG. 4 is a left side elevational view thereof, the right side elevational view being a mirror image thereof;  
FIG. 5 is a rear elevational view thereof; and,  
FIG. 6 is a front elevational view thereof.

**1 Claim, 6 Drawing Sheets**



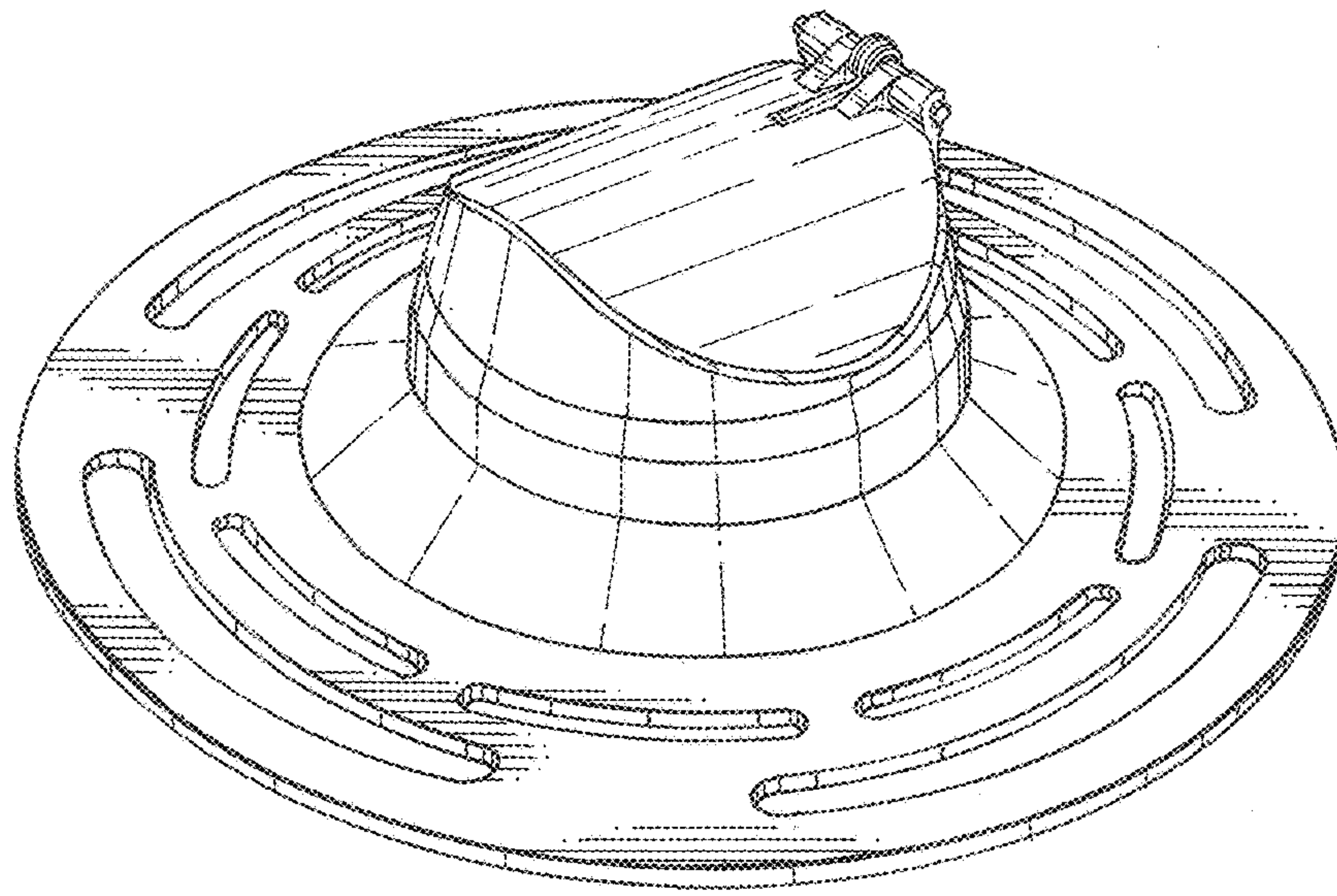


FIG. 1

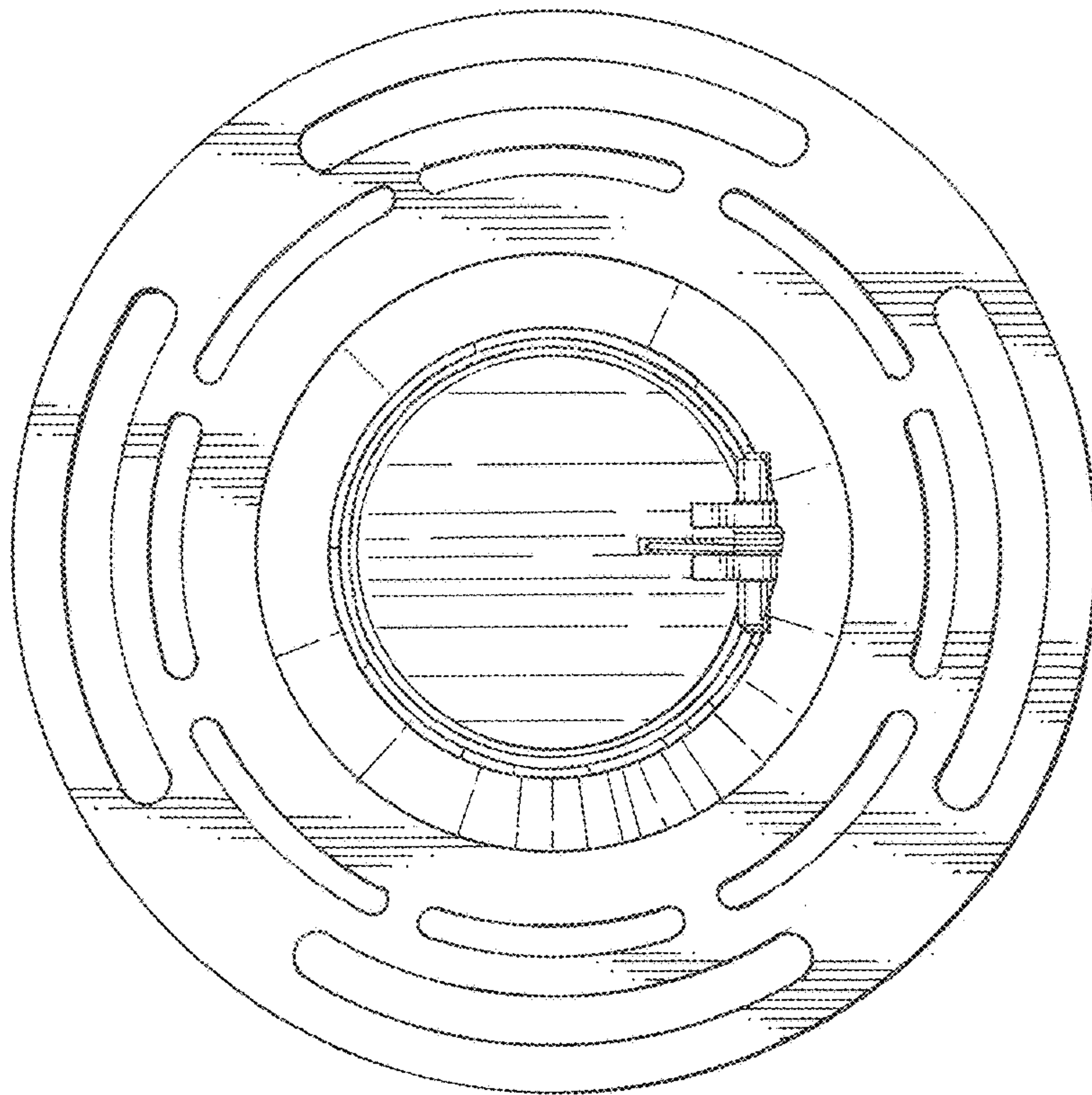
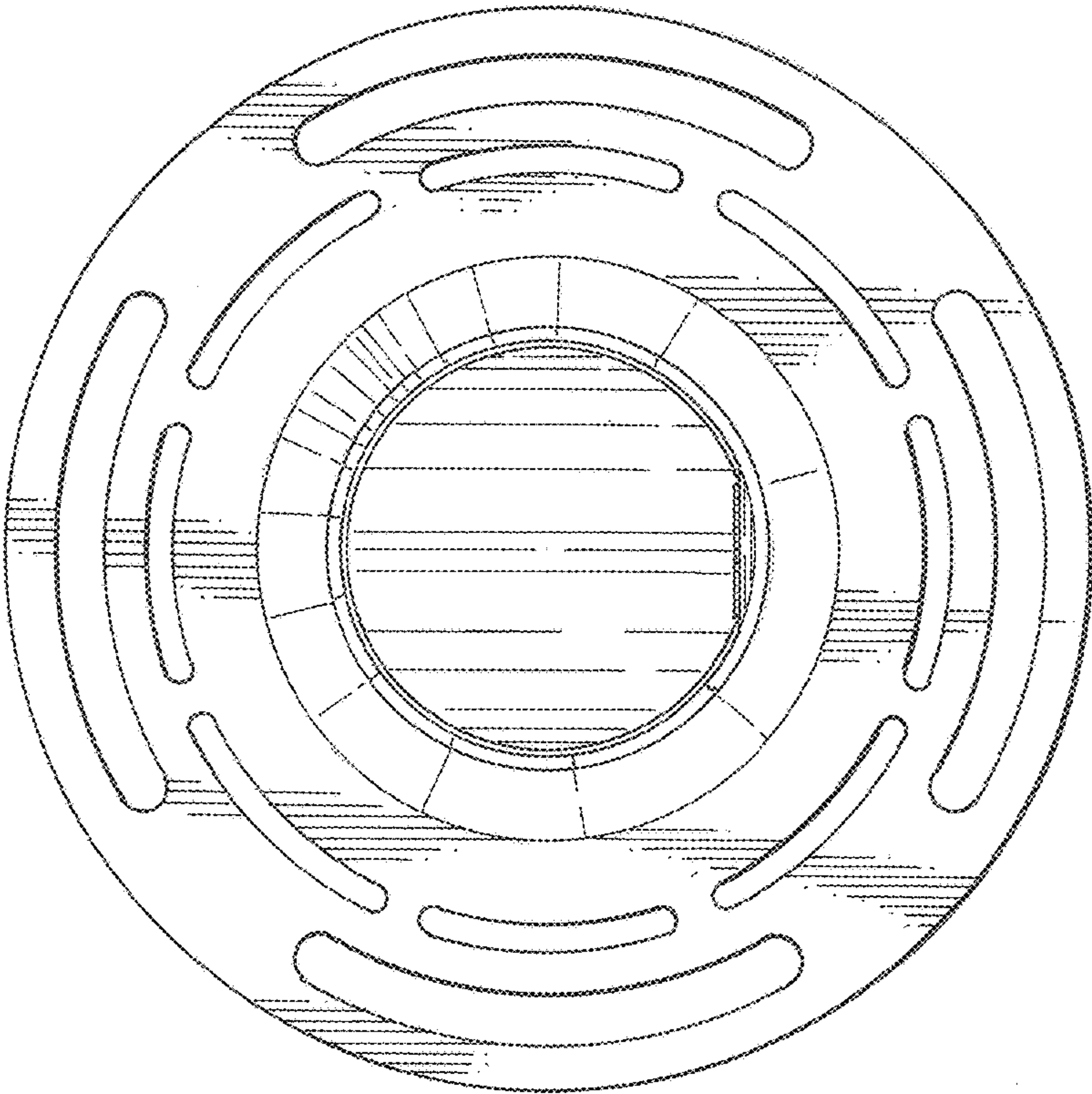
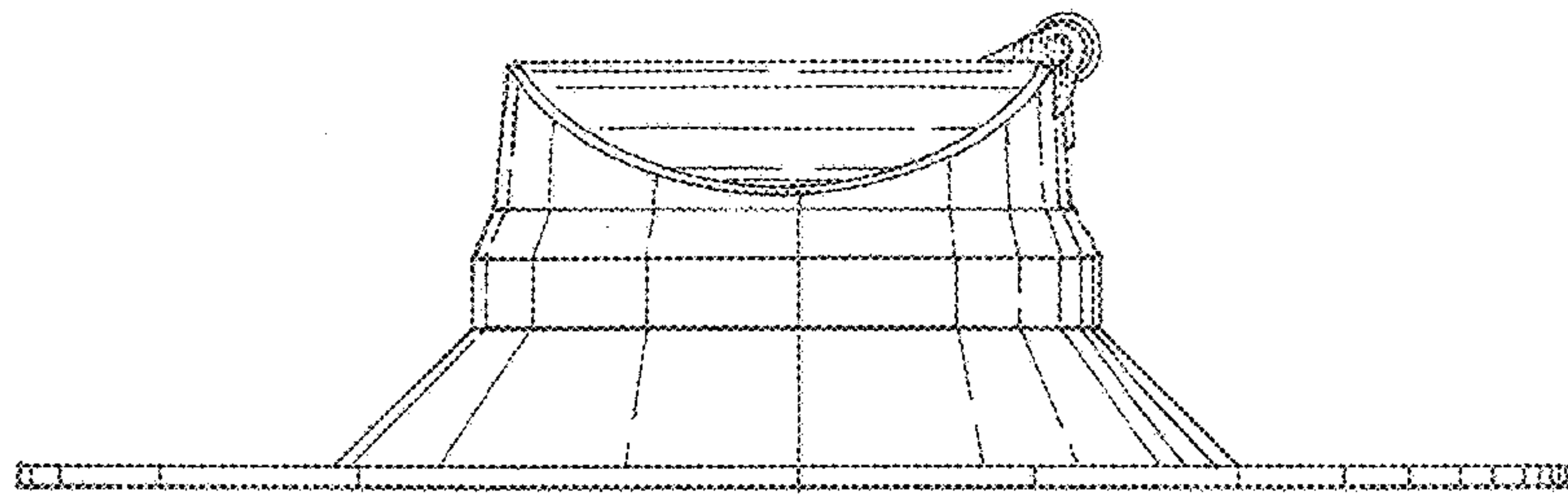


FIG. 2

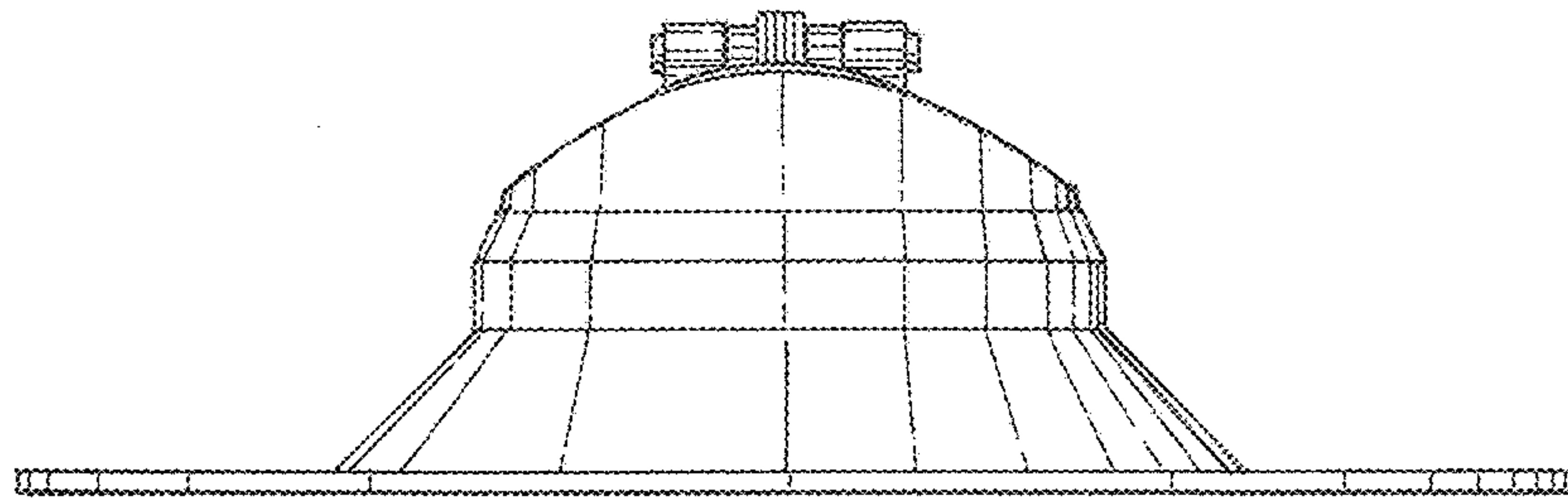




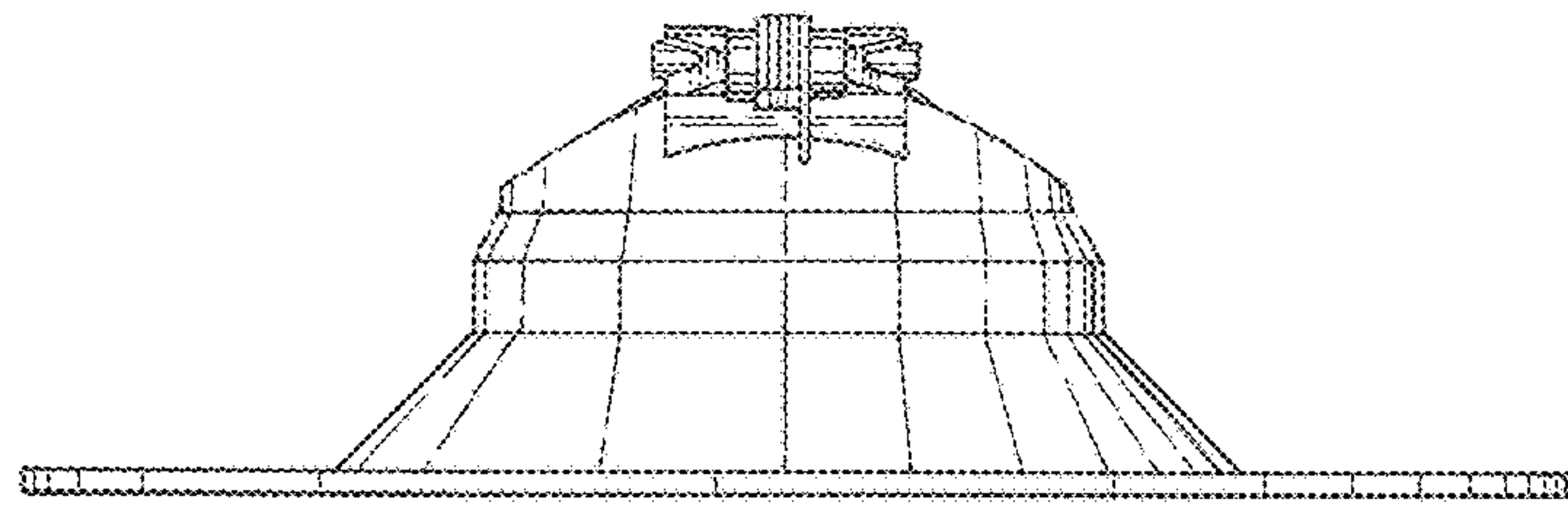
*FIG. 3*



*FIG. 4*



*FIG. 5*



*FIG. 6*