



US00D794162S

(12) **United States Design Patent**  
**Johnston et al.**

(10) **Patent No.:** **US D794,162 S**  
(45) **Date of Patent:** **\*\* Aug. 8, 2017**

(54) **PAINT SPRAYER**

(71) Applicant: **Graco Minnesota Inc**, Minneapolis, MN (US)  
(72) Inventors: **Justin G. Johnston**, Rogers, MN (US); **Christopher A. Lins**, Waverly, MN (US); **Brian M. Mulgrew**, St. Francis, MN (US); **James M. Dalton**, Elk River, MN (US); **Steve J. Wrobel**, Rogers, MN (US); **Pamela J. Muetzel**, Otsego, MN (US)

D616,065 S 5/2010 Gundersen et al.  
D632,762 S 2/2011 Mattson et al.  
7,963,532 B2 \* 6/2011 Feitel ..... B05B 9/007  
280/47.18  
7,980,487 B2 \* 7/2011 Mirazita ..... B05B 7/0093  
239/146  
8,651,397 B2 \* 2/2014 Gaddis ..... B05B 7/0093  
239/146  
8,979,001 B2 \* 3/2015 Peterson ..... B05B 9/01  
239/146  
D733,840 S \* 7/2015 Butler ..... D23/225  
D771,222 S \* 11/2016 Pellin ..... D23/225

(73) Assignee: **Graco Minnesota Inc.**, Minneapolis, MN (US)

(\*\*) Term: **15 Years**

(21) Appl. No.: **29/551,324**

(22) Filed: **Jan. 12, 2016**

(51) **LOC (10) Cl.** ..... **23-01**

(52) **U.S. Cl.**  
USPC ..... **D23/225**

(58) **Field of Classification Search**  
USPC ..... D23/213, 225; 239/146, 147, 150,  
239/DIG. 14  
CPC ..... B05B 9/007; B05B 7/0815  
See application file for complete search history.

**OTHER PUBLICATIONS**

Related design: U.S. Appl. No. 29/551,322, filed same day as this application.  
Related design: U.S. Appl. No. 29/551,323, filed same day as this application.  
Graco Paint Application Equipment Brochure, #339425B, entire brochure but particularly p. 15 as published.  
Graco Magnum Airless Paint Sprayers and Accessories brochure, entire brochure but particularly p. 16 as published.

\* cited by examiner

*Primary Examiner* — Robin V Webster

(57) **CLAIM**

The ornamental design for a paint sprayer, as shown and described.

**DESCRIPTION**

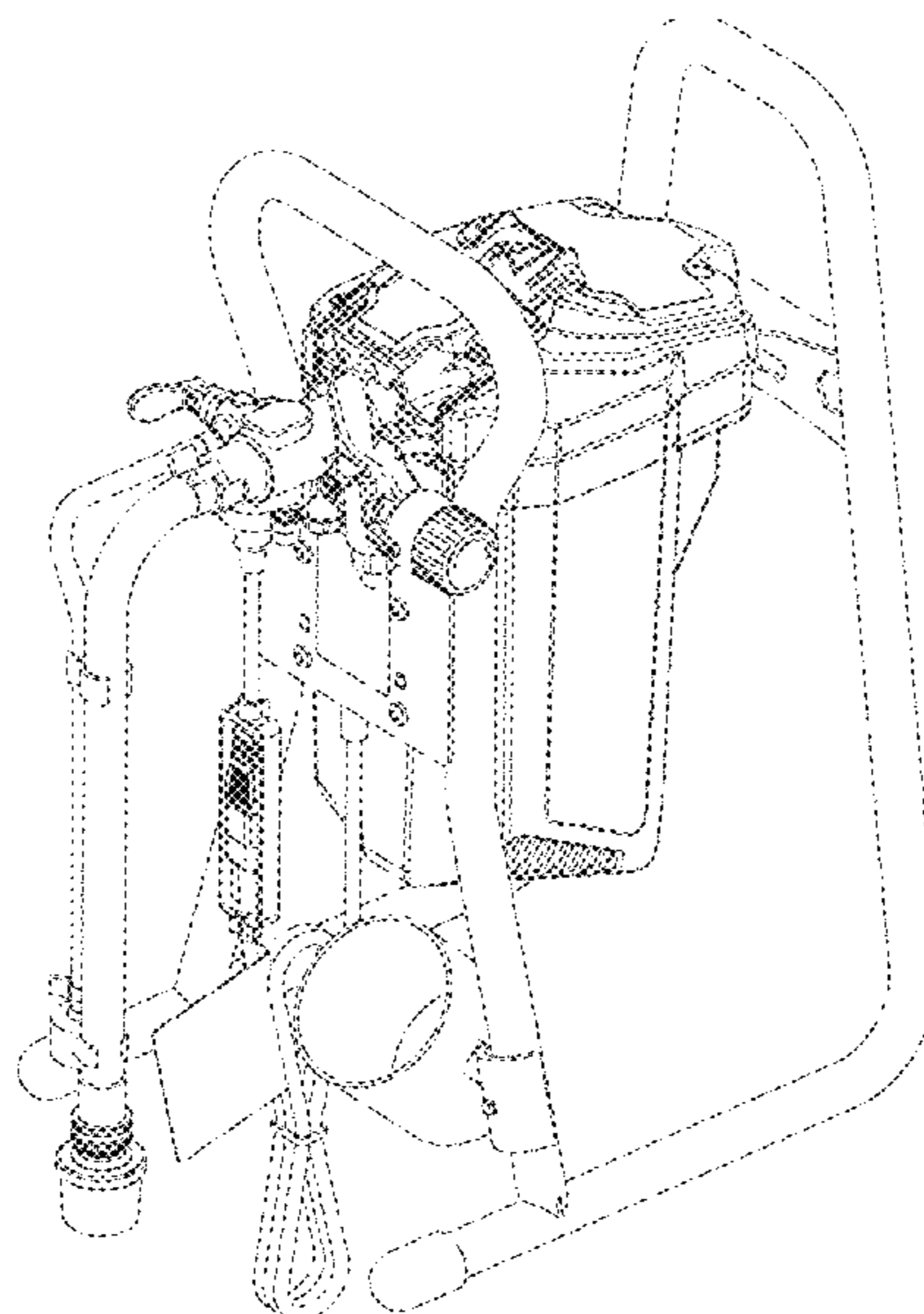
FIG. 1 is a front right isometric view of the paint sprayer; FIG. 2 is a front view thereof; FIG. 3 is a right side view thereof; FIG. 4 is a rear view thereof; FIG. 5 is a left side view thereof; FIG. 6 is a top view thereof; and, FIG. 7 is a bottom view thereof.

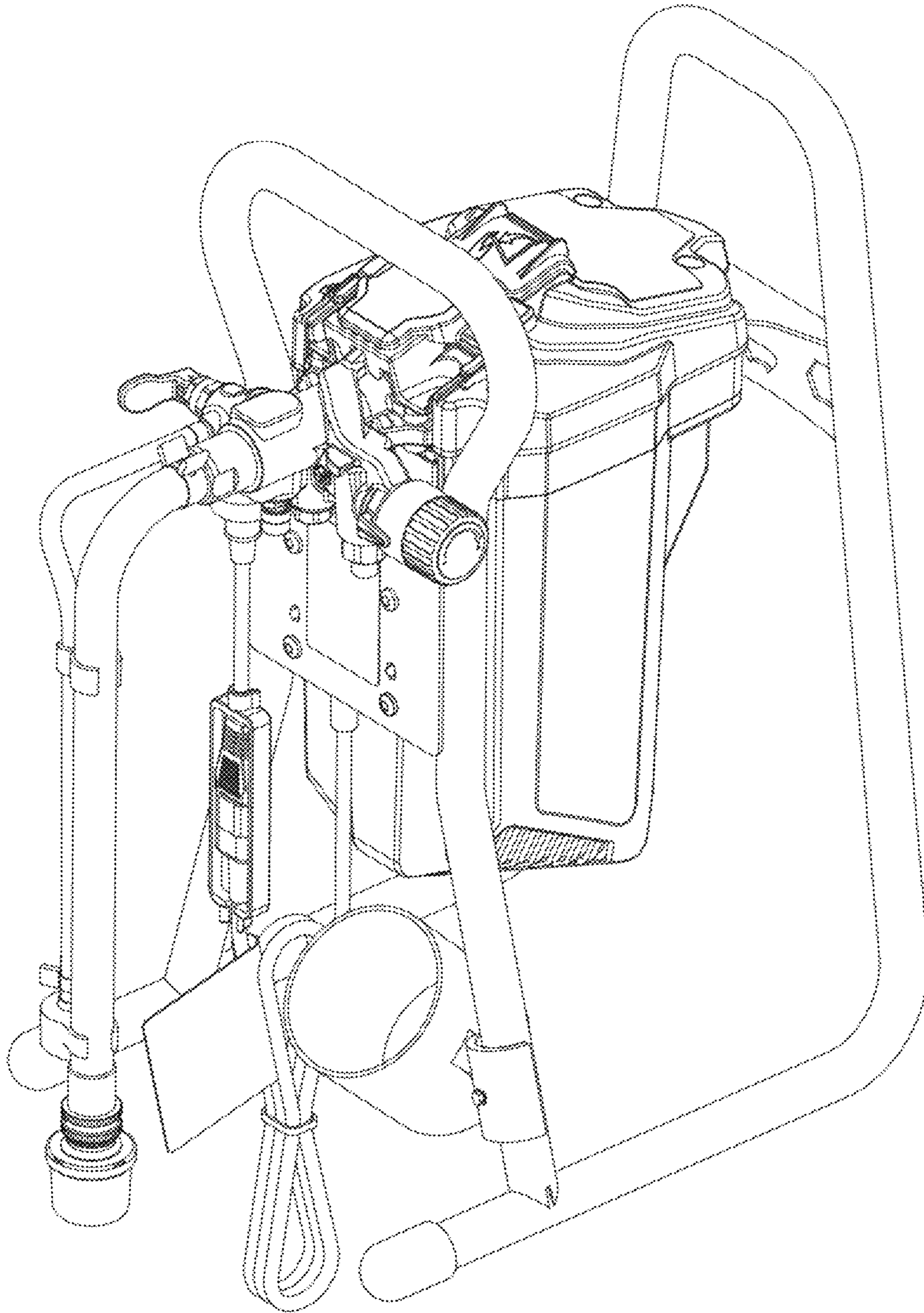
(56) **References Cited**

**U.S. PATENT DOCUMENTS**

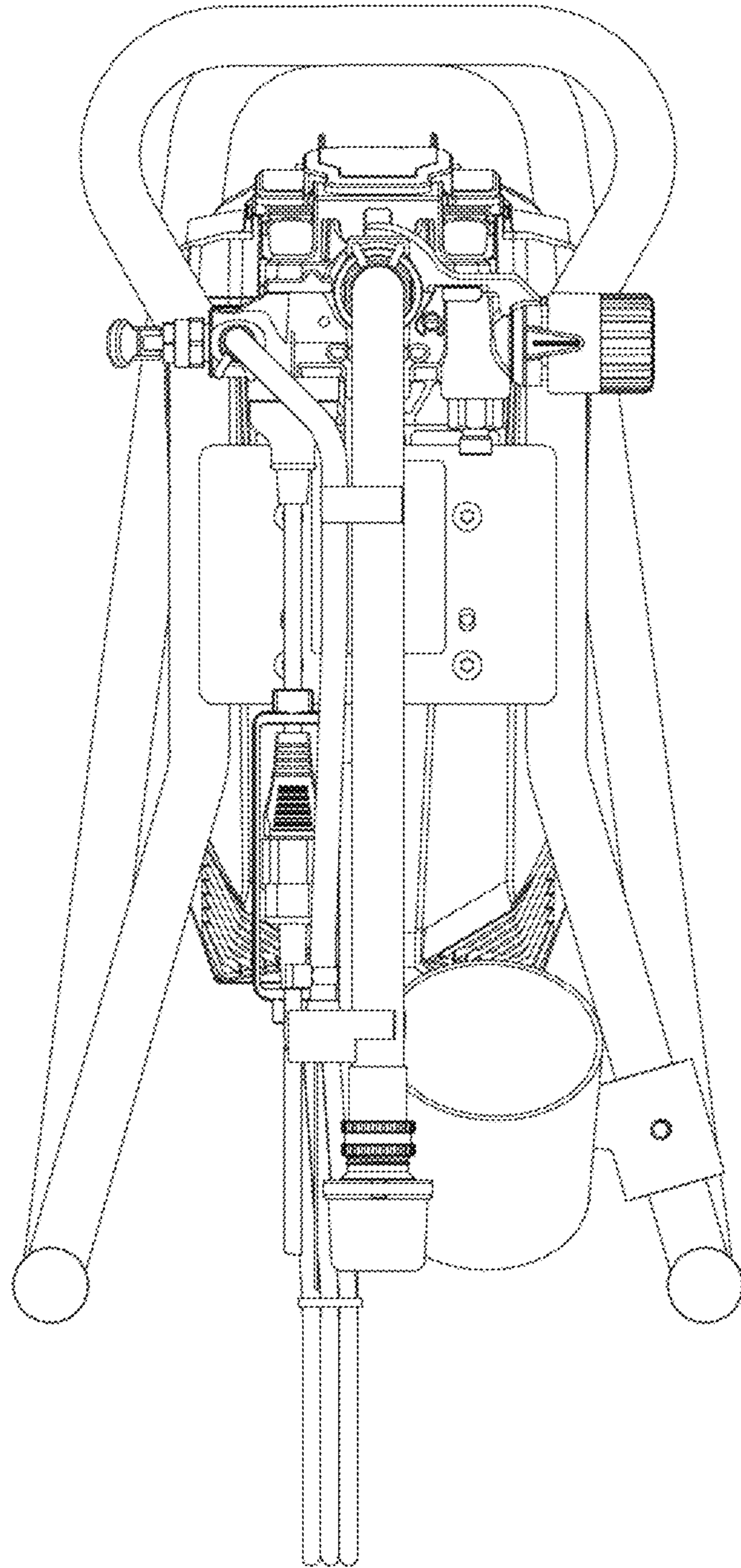
3,305,137 A \* 2/1967 Gauthier ..... B05B 9/007  
222/136  
D435,048 S 12/2000 Breeser et al.  
6,488,846 B1 \* 12/2002 Marangi ..... B01D 29/15  
210/232  
D580,515 S \* 11/2008 Wrobel ..... D23/225  
D580,518 S 11/2008 Johnson et al.  
D596,706 S 7/2009 Gundersen et al.

**1 Claim, 7 Drawing Sheets**

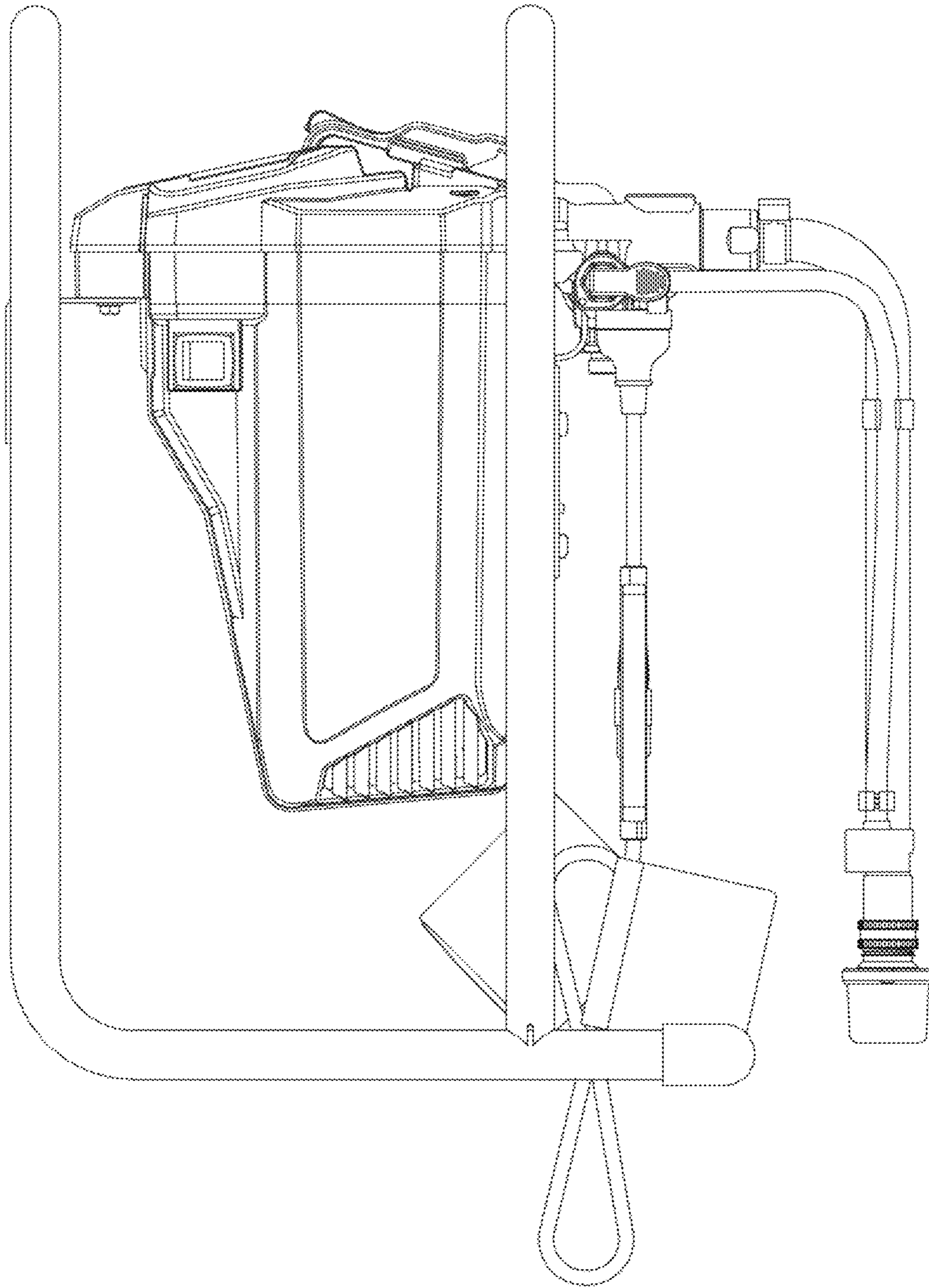




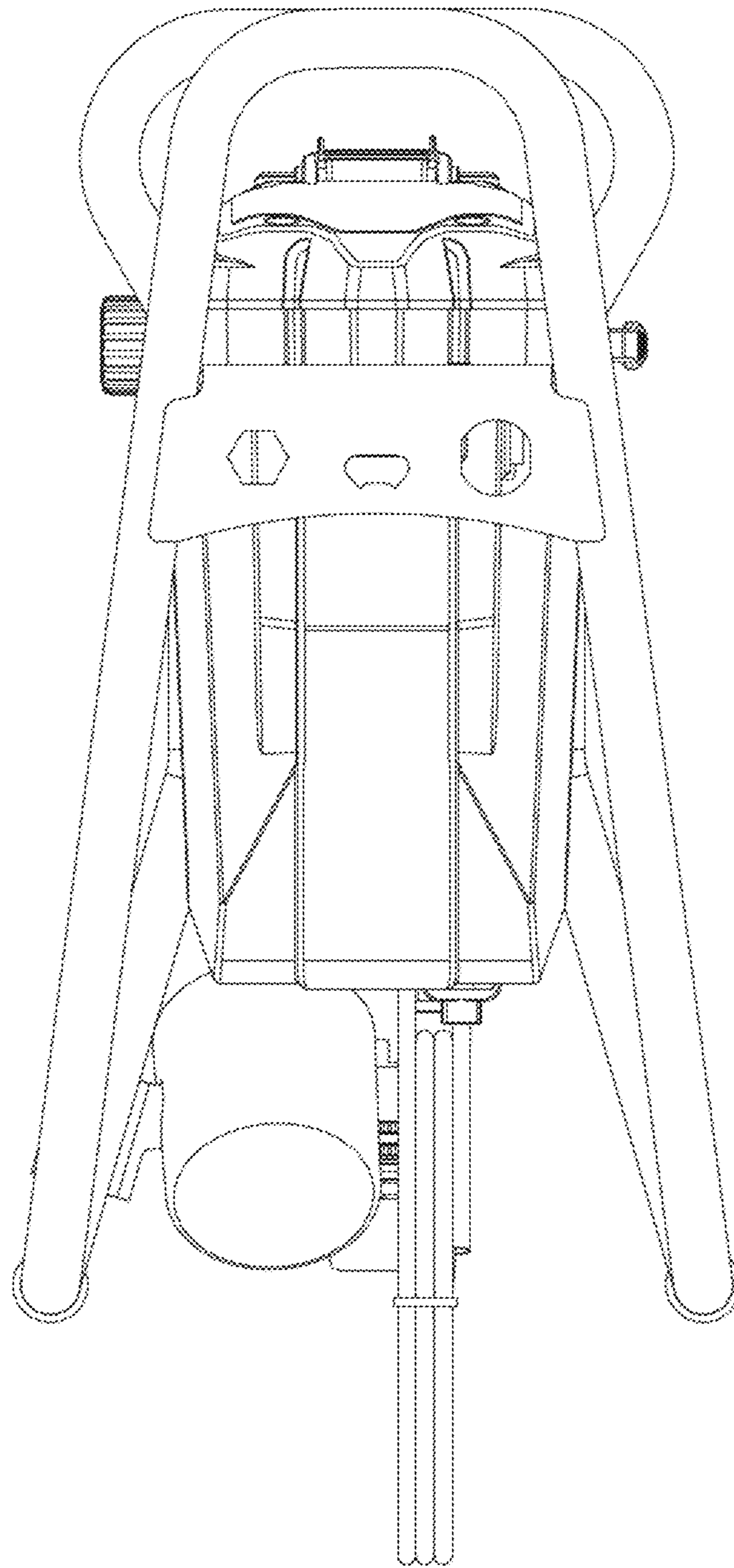
**FIG. 1**



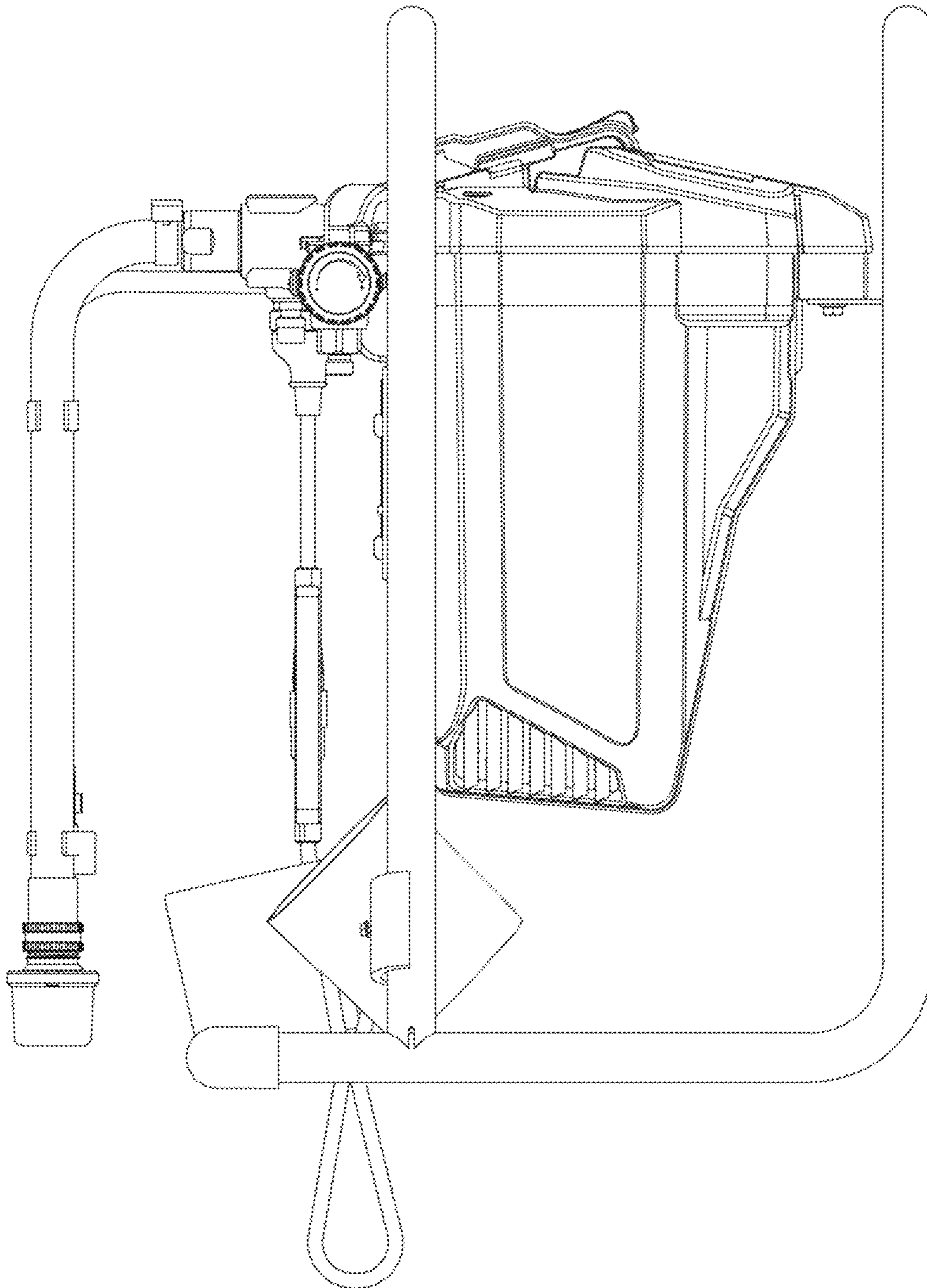
**FIG. 2**



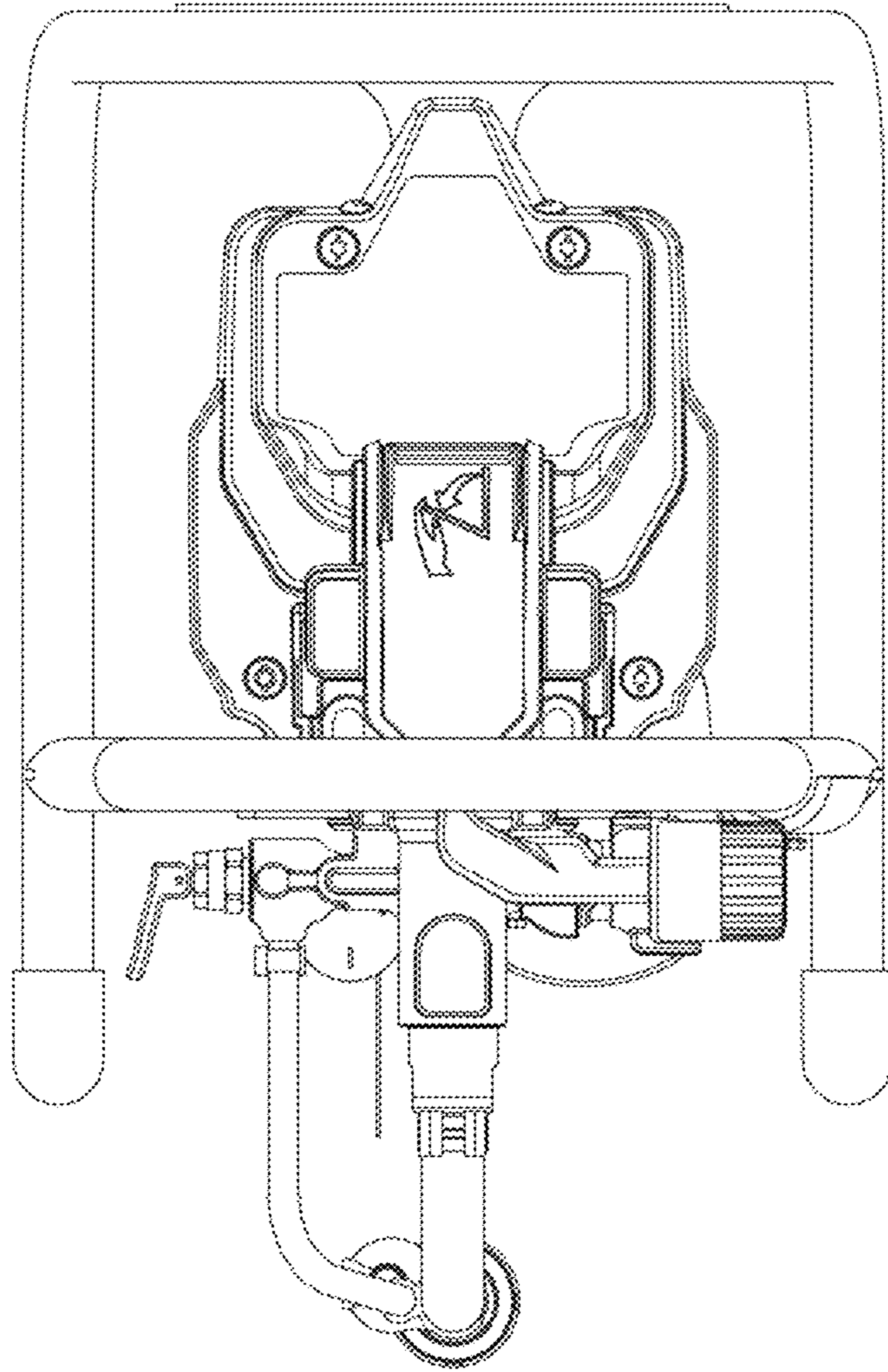
**FIG. 3**



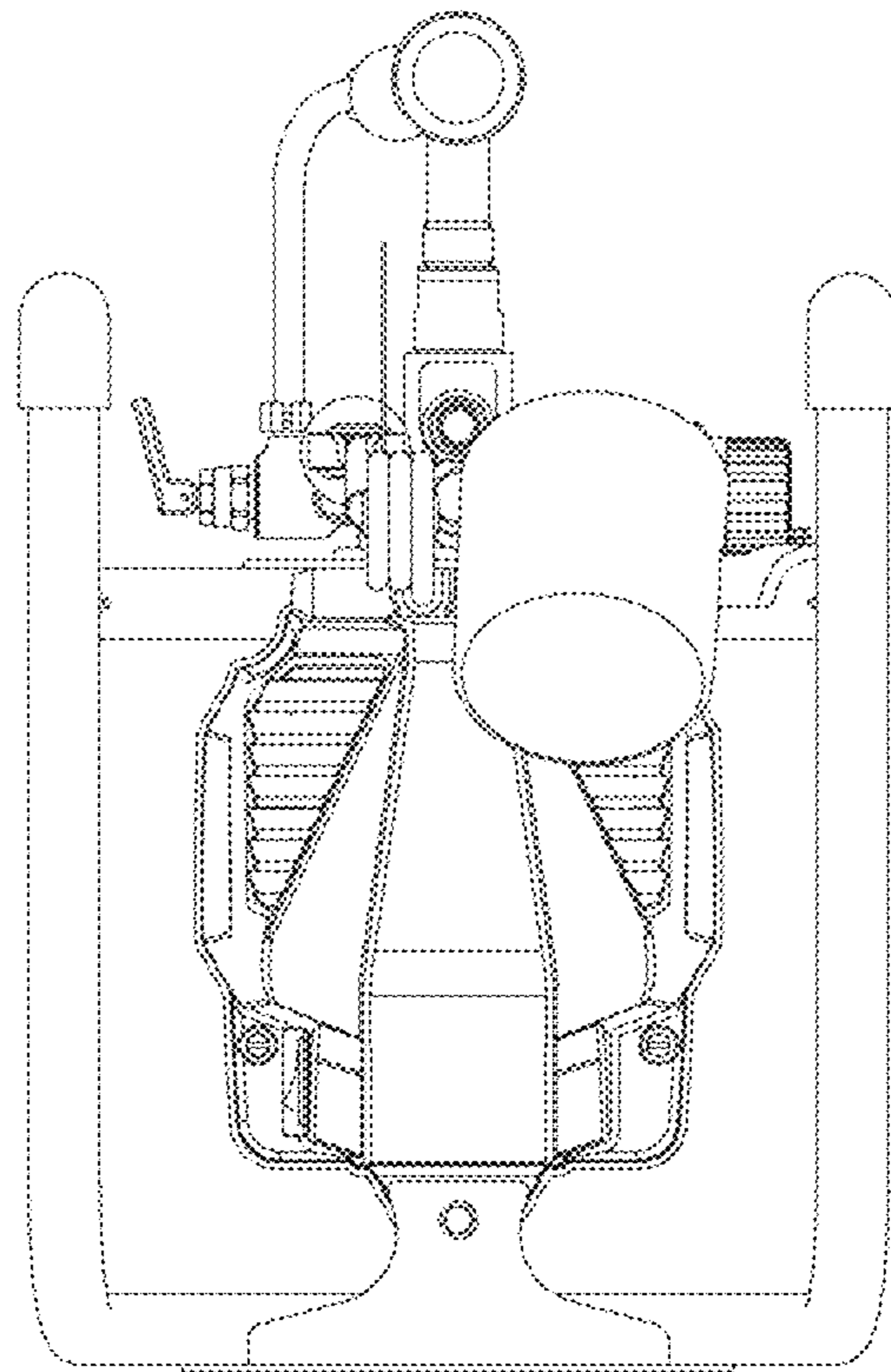
**FIG. 4**



**FIG. 5**



**FIG. 6**



**FIG. 7**