



US00D794160S

(12) **United States Design Patent**  
**Hui**

(10) **Patent No.:** **US D794,160 S**

(45) **Date of Patent:** **\*\* Aug. 8, 2017**

- (54) **FLOATING SOLAR STERILIZER**
- (71) Applicant: **Compurobot Technology Company,**  
Dongguan (CN)
- (72) Inventor: **Wing-Tak Hui,** Hong Kong (CN)
- (73) Assignee: **COMPURBOT TECHNOLOGY**  
**COMPANY,** Dongguan (CN)

D318,094 S \* 7/1991 Sherman ..... D23/209  
 5,053,205 A \* 10/1991 Taylor ..... C02F 1/688  
 210/167.11  
 D451,979 S \* 12/2001 VanErdewyk ..... D23/208  
 D559,943 S \* 1/2008 Mercer ..... D23/207  
 7,497,947 B2 \* 3/2009 Knighton ..... C02F 1/50  
 210/198.1  
 D630,705 S \* 1/2011 Rossano ..... D23/208  
 7,922,982 B1 \* 4/2011 Brennan ..... C02F 1/688  
 210/167.11

(\*\*) Term: **15 Years**

\* cited by examiner

(21) Appl. No.: **29/573,239**

*Primary Examiner* — Robin V Webster

(22) Filed: **Aug. 3, 2016**

(74) *Attorney, Agent, or Firm* — Weiss & Moy, P.C.;  
Jeffrey D. Moy

(51) **LOC (10) Cl.** ..... **23-01**

(52) **U.S. Cl.**  
USPC ..... **D23/207; D23/208**

(57) **CLAIM**

The floating solar sterilizer, as shown and described.

(58) **Field of Classification Search**  
USPC ..... D23/207, 208, 209; 422/265; 210/198.1  
CPC ..... C02F 1/24; C02F 1/688  
See application file for complete search history.

**DESCRIPTION**

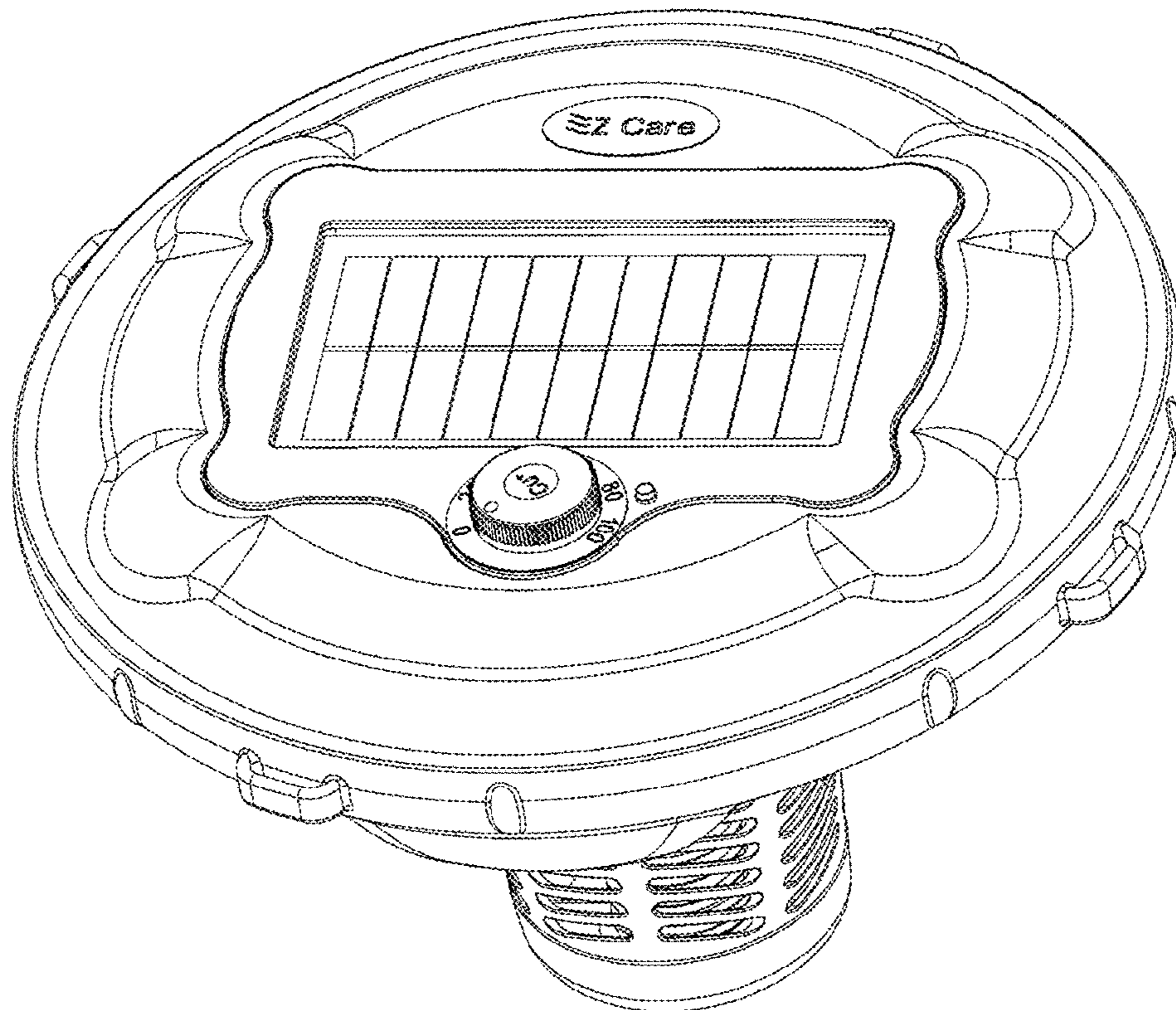
FIG. 1 is a perspective view of a floating solar sterilizer;  
FIG. 2 is a front view of a floating solar sterilizer;  
FIG. 3 is a rear view of a floating solar sterilizer;  
FIG. 4 is a left-side view of a floating solar sterilizer;  
FIG. 5 is a right-side view of a floating solar sterilizer;  
FIG. 6 is a top plan view of a floating solar sterilizer; and,  
FIG. 7 is a bottom plan view of a floating solar sterilizer.

(56) **References Cited**

**U.S. PATENT DOCUMENTS**

4,630,634 A \* 12/1986 Sasaki ..... C02F 1/688  
 137/268  
 D318,091 S \* 7/1991 Sherman ..... D23/209

**1 Claim, 7 Drawing Sheets**



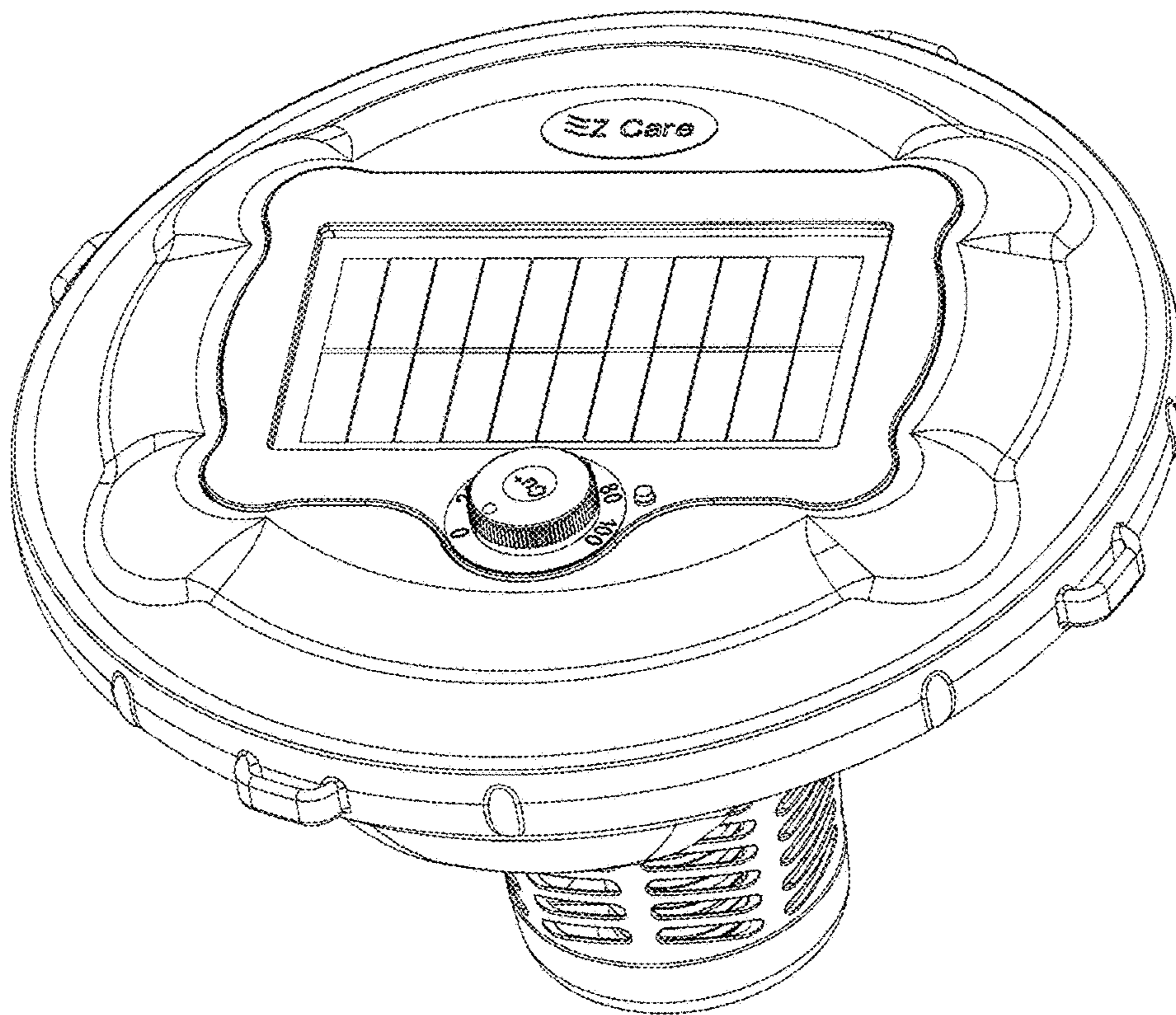


FIG. 1

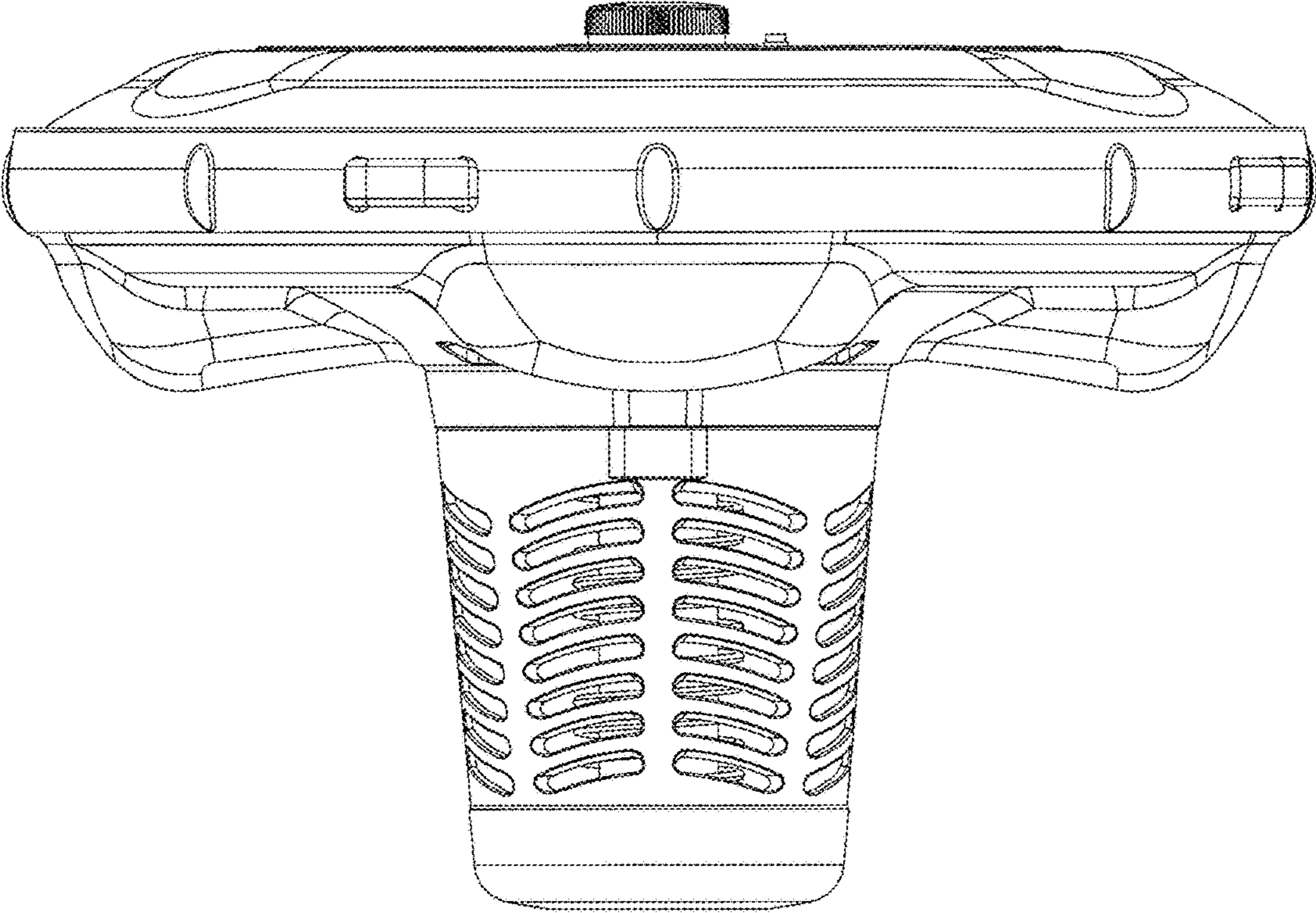


FIG.2

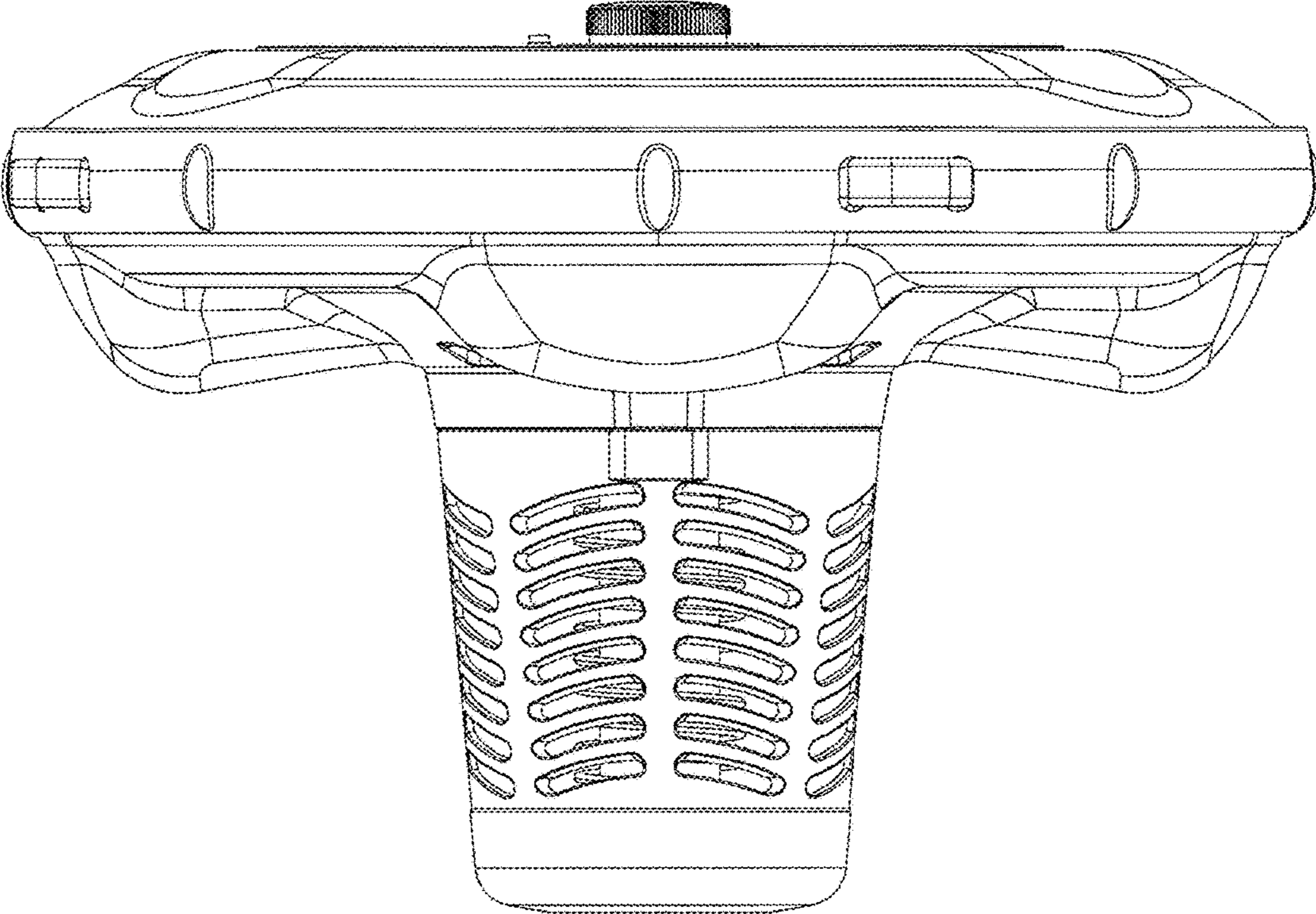


FIG. 3

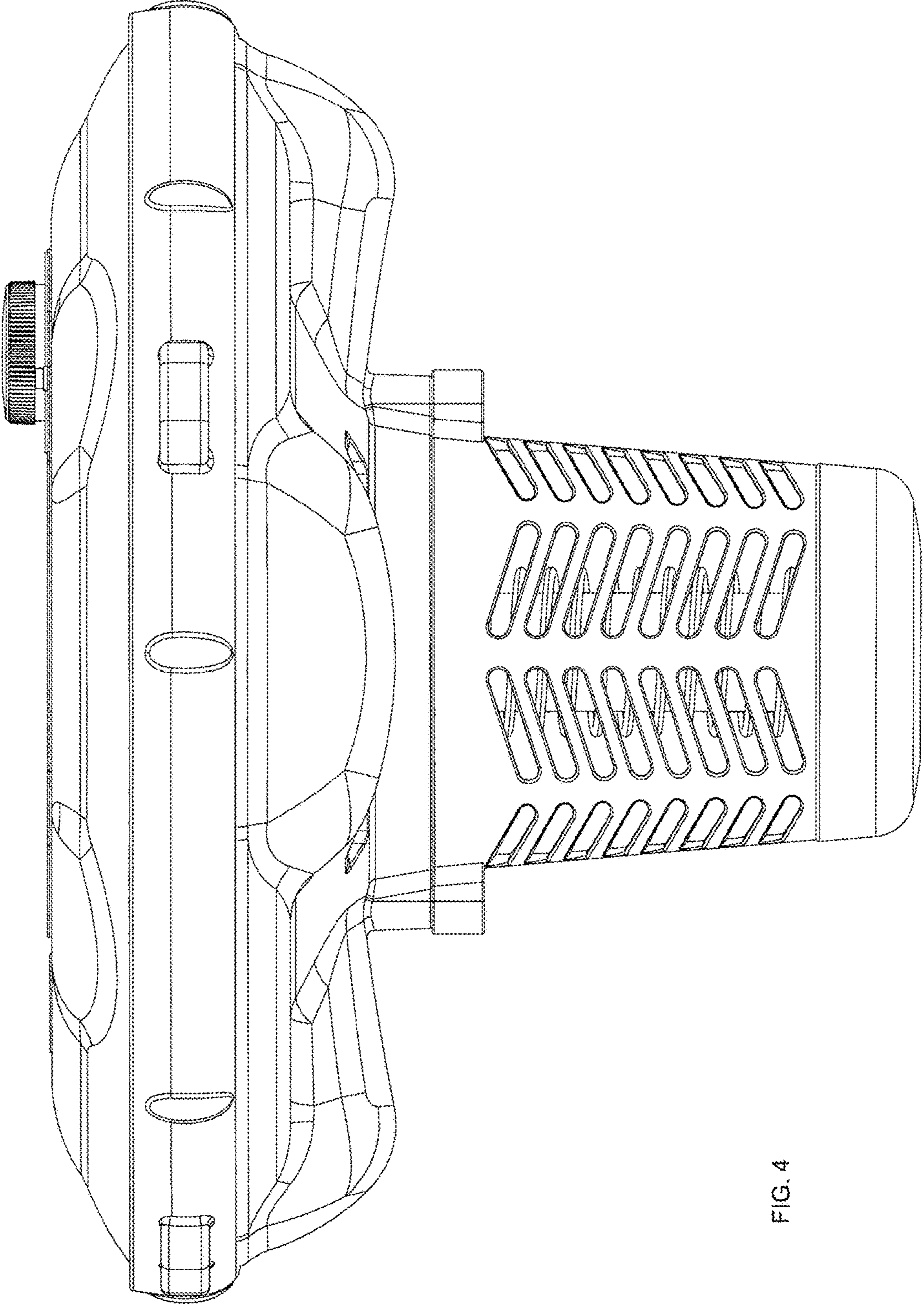


FIG. 4

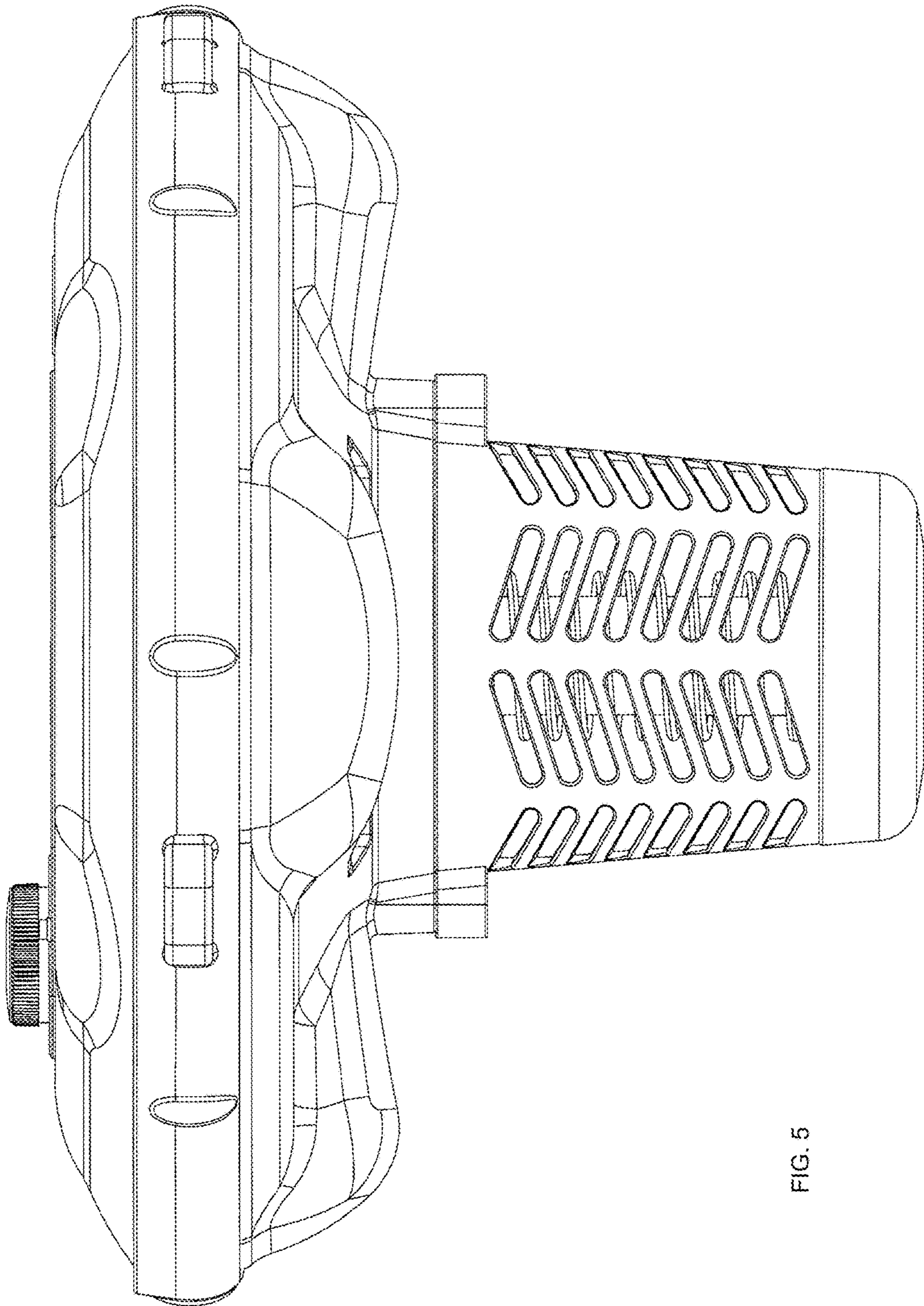


FIG. 5

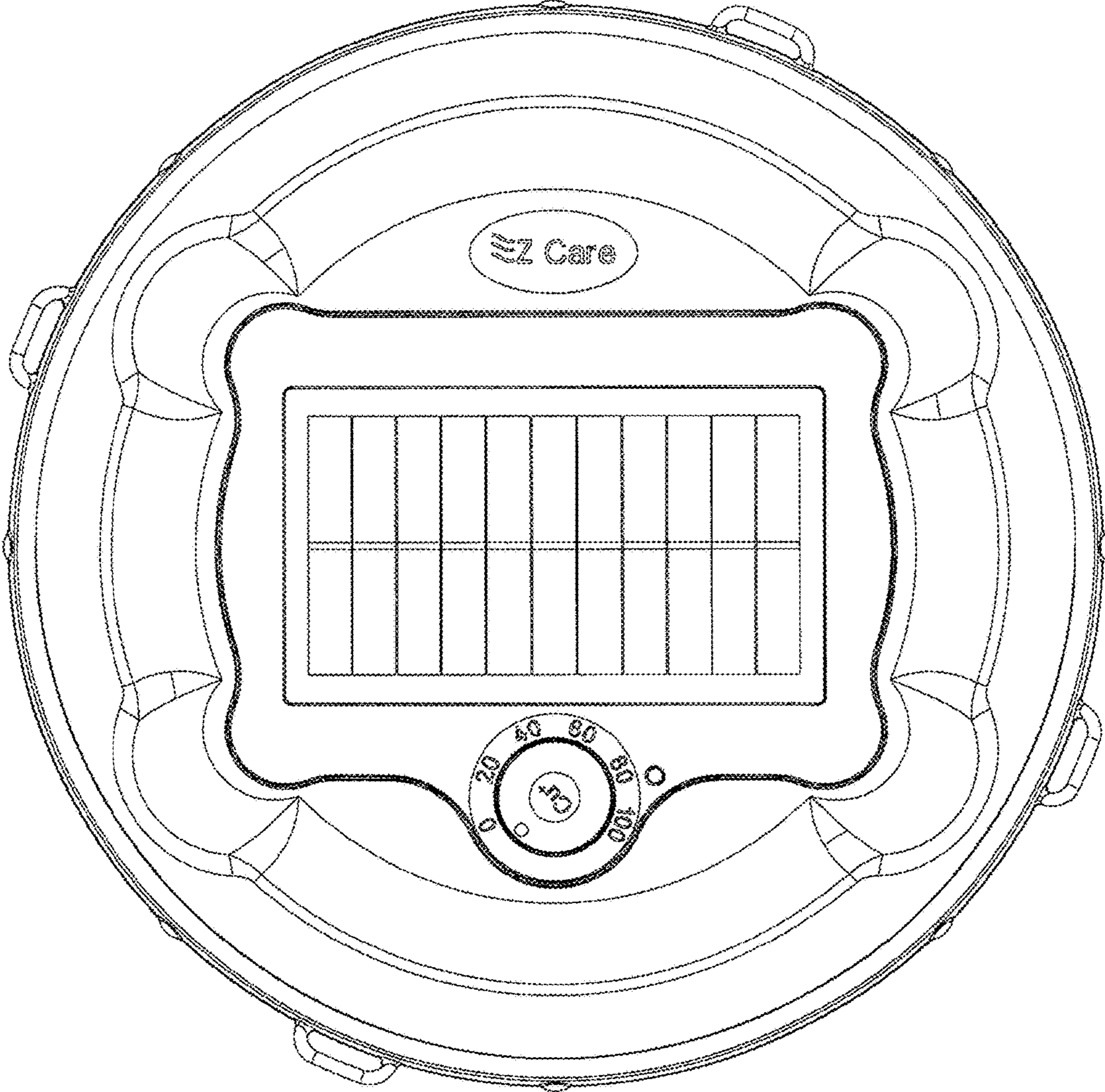


FIG. 6

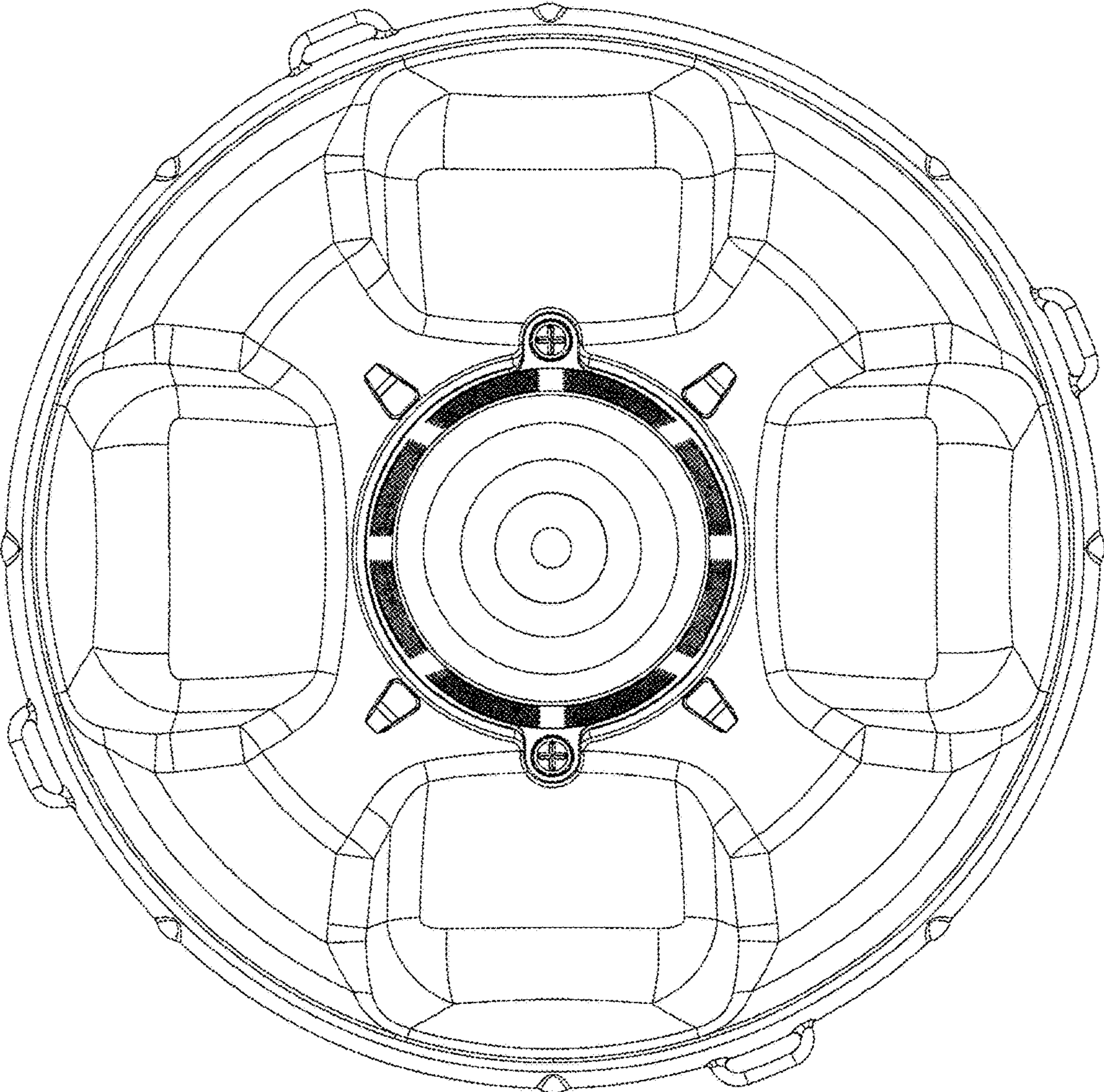


FIG. 7