



US00D794159S

(12) **United States Design Patent** (10) **Patent No.:** **US D794,159 S**
Raisanen (45) **Date of Patent:** **** Aug. 8, 2017**

(54) **DEVICE FOR GRABBING BAIT**
(71) Applicant: **Clearwater Innovations, Inc.**, Duluth, MN (US)
(72) Inventor: **Blair Raisanen**, Waconia, MN (US)
(73) Assignee: **Clearwater Innovations, Inc.**, Duluth, MN (US)

(**) Term: **15 Years**

(21) Appl. No.: **29/568,299**

(22) Filed: **Jun. 16, 2016**

(51) **LOC (10) Cl.** **22-05**

(52) **U.S. Cl.**
USPC **D22/149**

(58) **Field of Classification Search**
USPC D7/666, 686; D22/149, 150, 199; D8/4
CPC B25B 7/02; B25B 27/28; B25B 7/123;
B25B 7/22
See application file for complete search history.

(56) **References Cited**

U.S. PATENT DOCUMENTS

2,929,166	A *	3/1960	Sneide	A01K 97/00 119/6.7
3,975,853	A	8/1976	Aaron		
4,118,881	A	10/1978	McFarlane		
D257,936	S *	1/1981	Vennola	D7/686
D266,640	S *	10/1982	Trombly	D7/666
4,947,575	A	8/1990	Yerkovich		
4,979,326	A	12/1990	Aaron		
5,189,826	A	3/1993	Schlaegel		
6,050,023	A	4/2000	Newell		

6,438,892	B1	8/2002	Oberman et al.		
6,665,978	B1	12/2003	Reed		
D511,804	S *	11/2005	Mullen	D22/149
7,426,801	B2	9/2008	Freburger, Jr.		
7,805,879	B1	10/2010	Copeland		
2004/0093784	A1	5/2004	Brahm et al.		
2006/0053676	A1 *	3/2006	Mullen	A01K 97/14 43/5
2015/0343610	A1 *	12/2015	St. Gelais	B25B 7/08 81/424.5

OTHER PUBLICATIONS

“BaitMate” HyPark Specialty, Internet Archive Wayback Machine of Dec. 28, 2014 from <<https://web.archive.org/web/20141228004511/http://hypark-specialty.myshopify.com/collections/frontpage/products/baitmate>> (1 page).

* cited by examiner

Primary Examiner — Karen S Acker

Assistant Examiner — S. Bryan Reinholdt, Jr.

(74) *Attorney, Agent, or Firm* — Dorsey & Whitney LLP

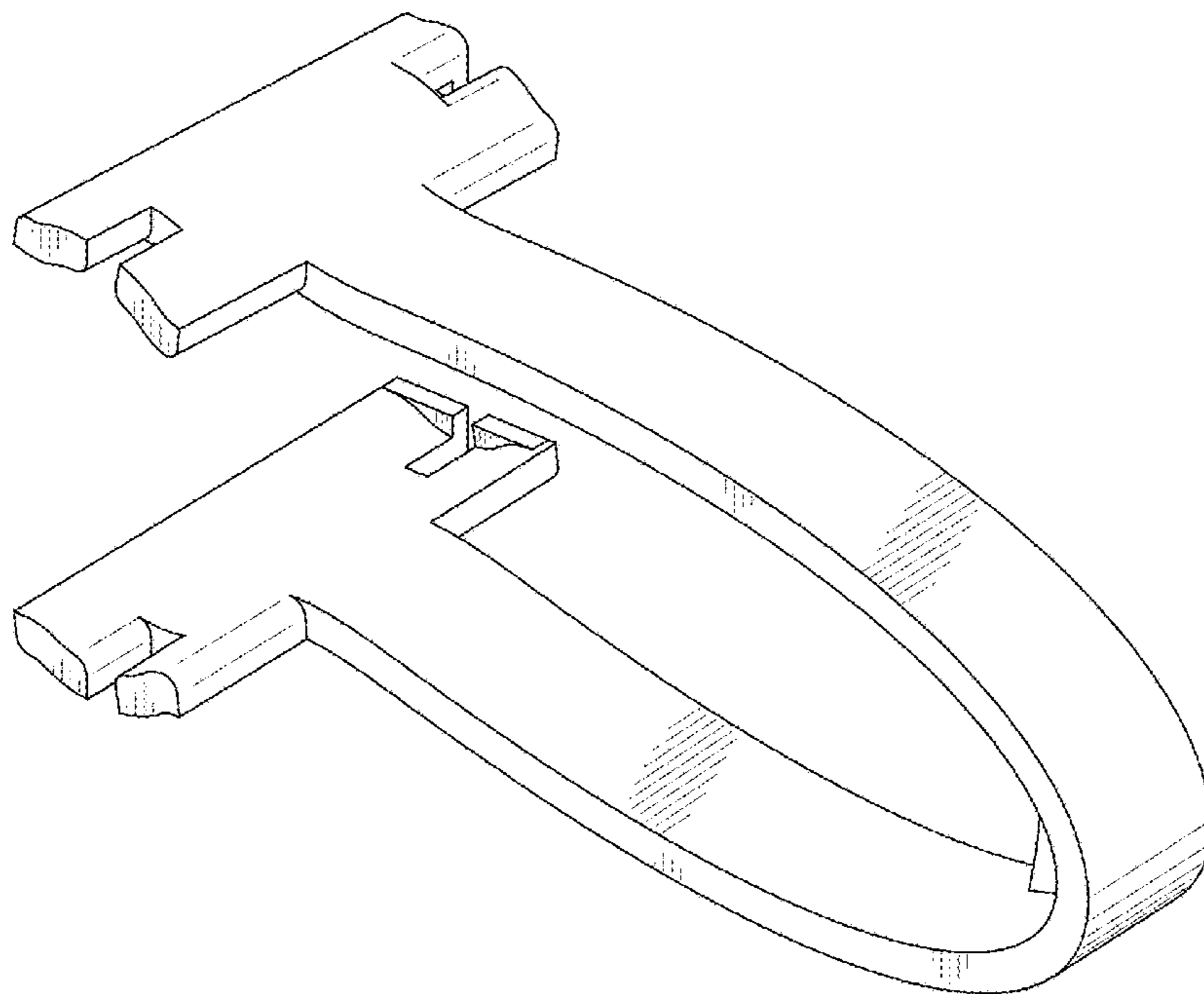
(57) **CLAIM**

The ornamental design for a device for grabbing bait, as shown and described.

DESCRIPTION

FIG. 1 is a perspective view of a device for grabbing bait. FIG. 2 is a left side view of the device of FIG. 1. FIG. 3 is a right side view of the device of FIG. 1. FIG. 4 is a front view of the device of FIG. 1. FIG. 5 is a back view of the device of FIG. 1. FIG. 6 is a top view of the device of FIG. 1; and, FIG. 7 is a bottom view of the device of FIG. 1.

1 Claim, 4 Drawing Sheets



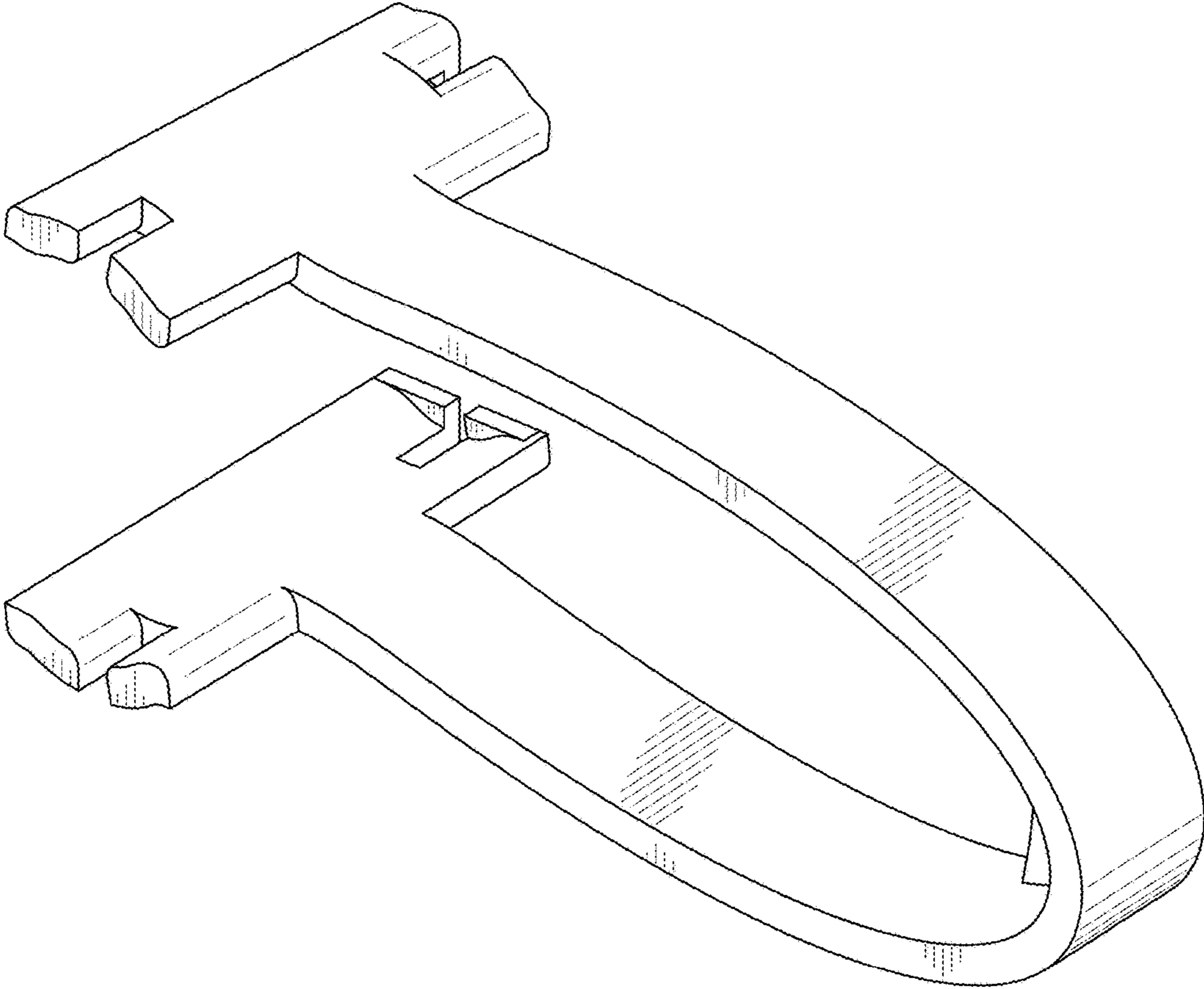


FIG. 1

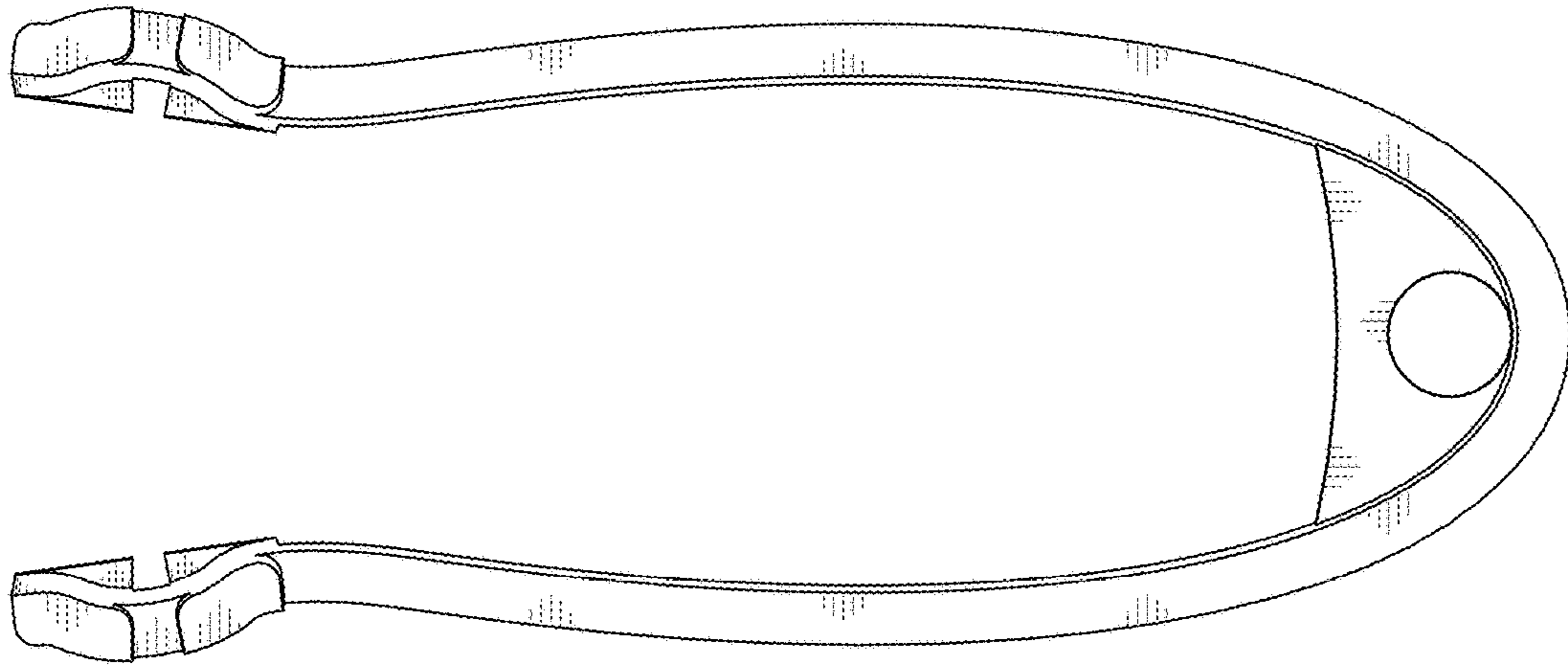


FIG. 2

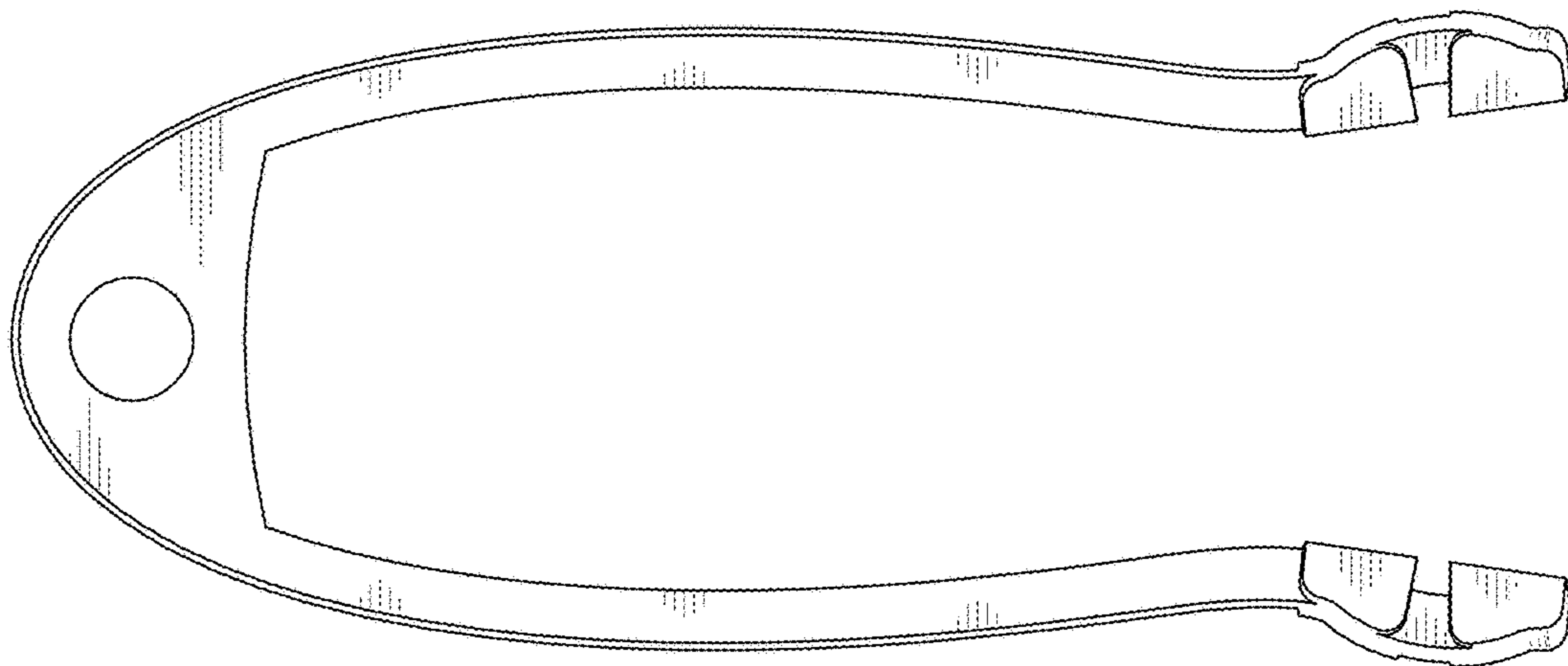


FIG. 3

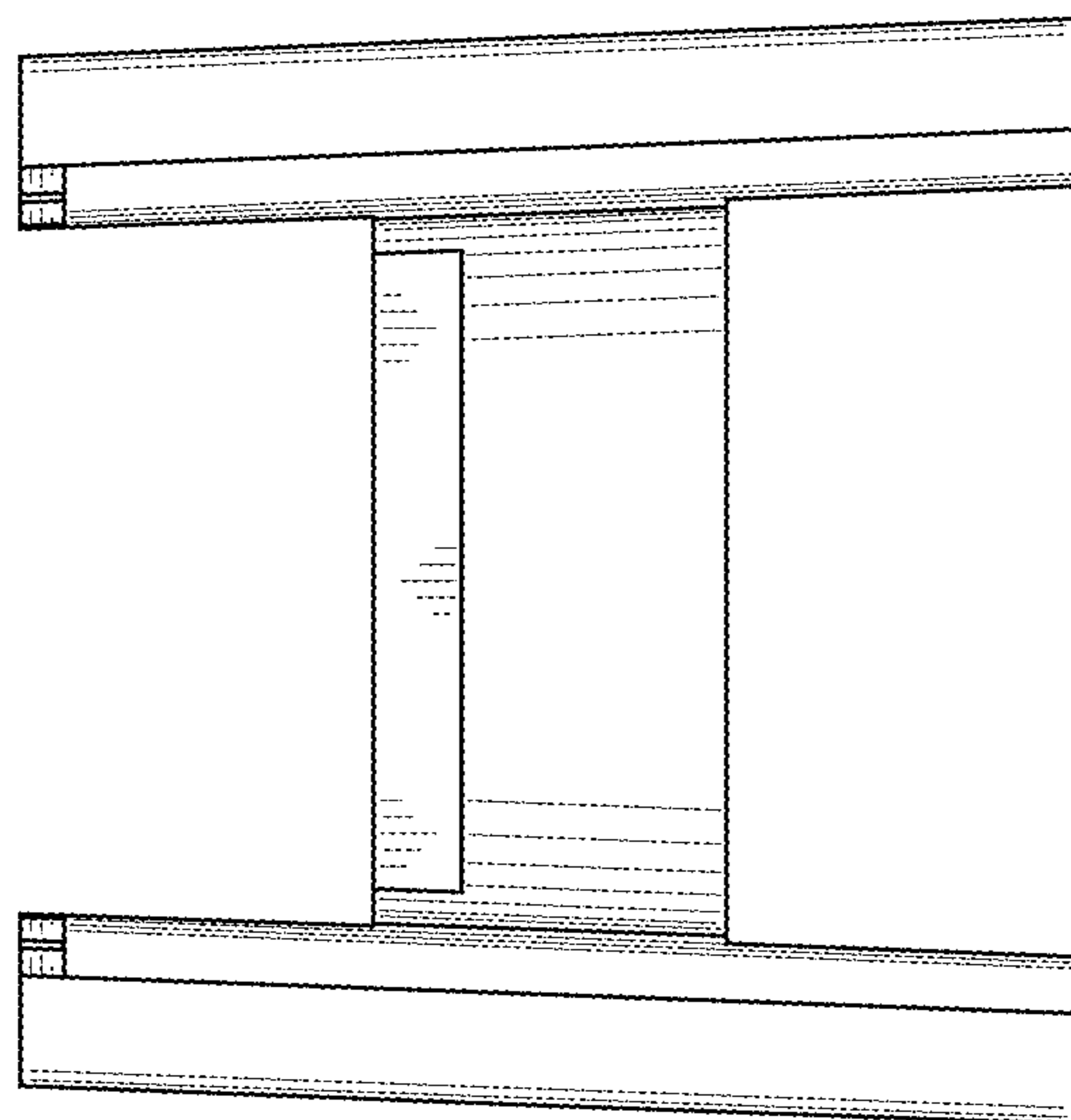


FIG. 4

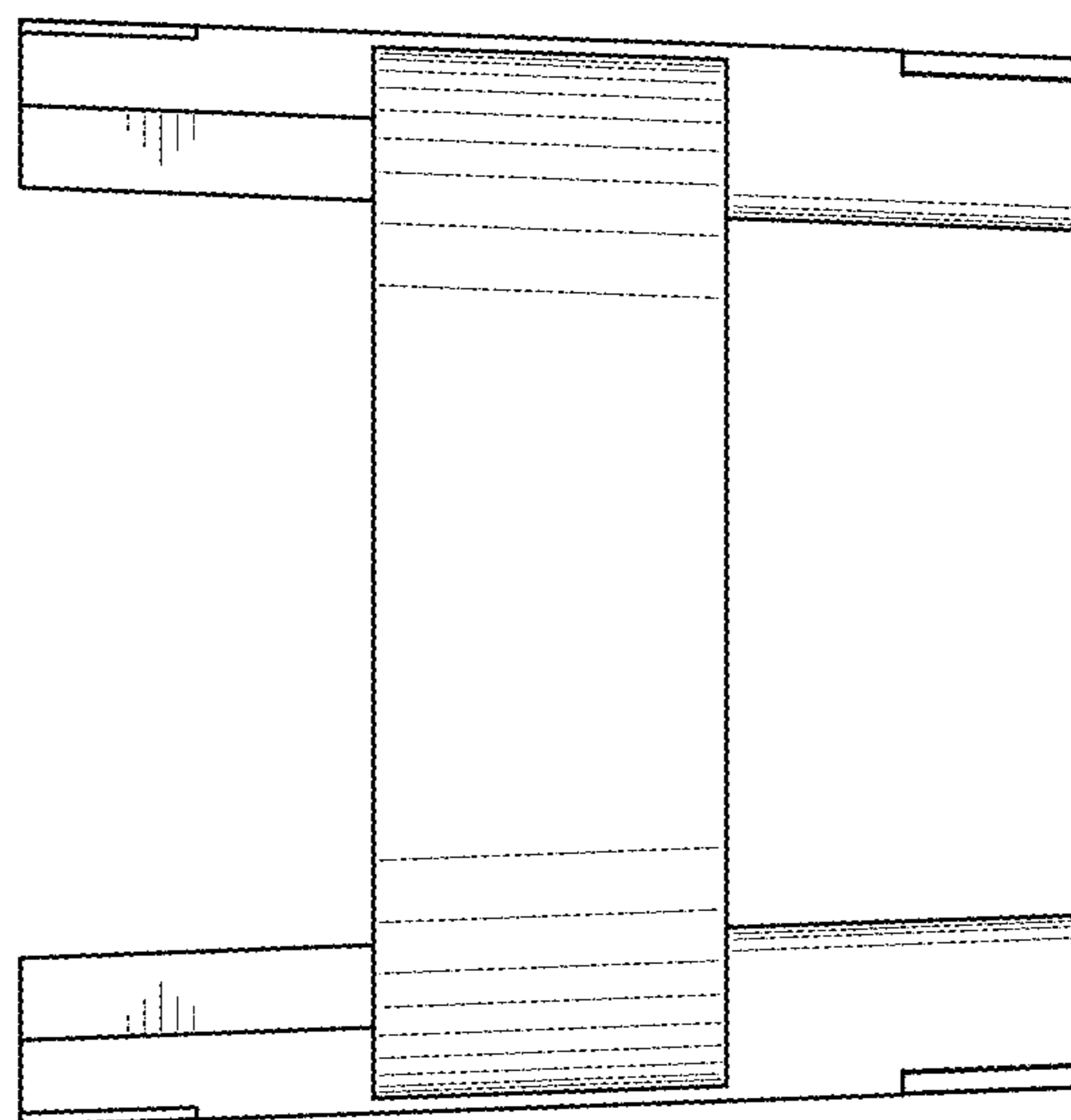


FIG. 5

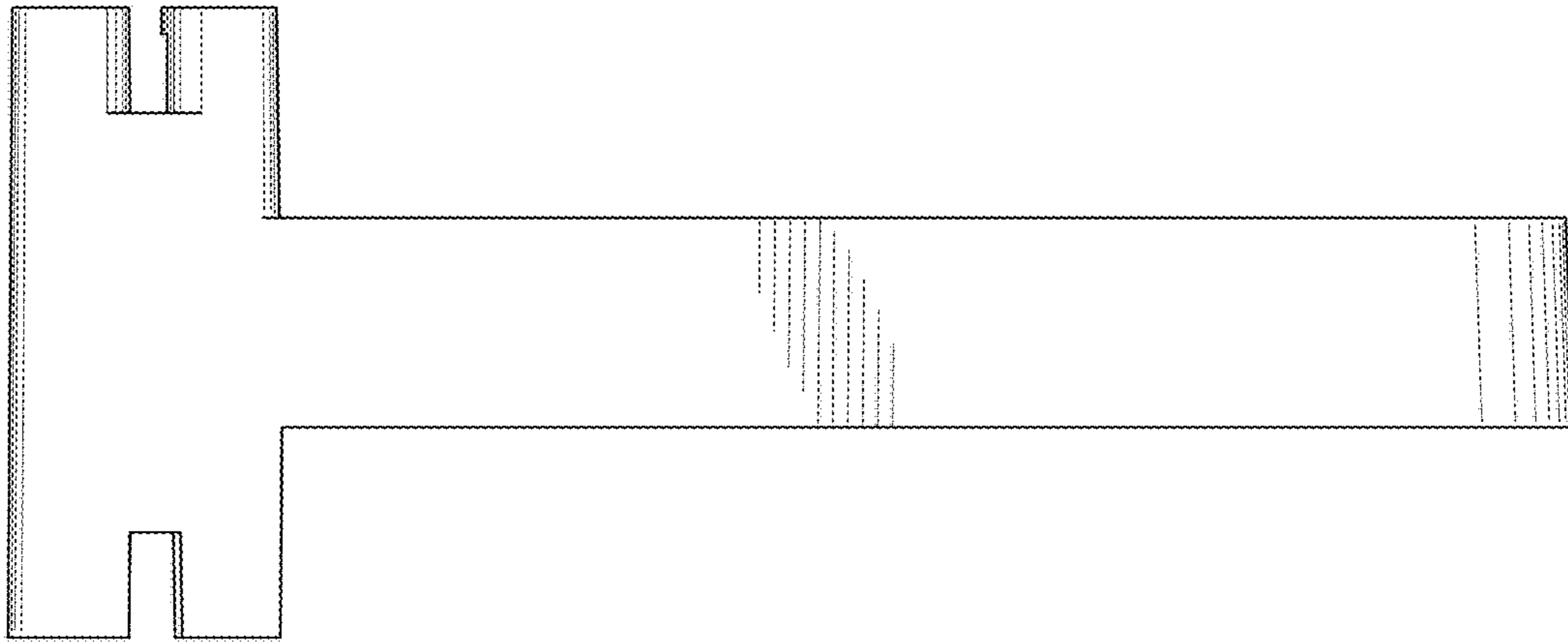


FIG. 6

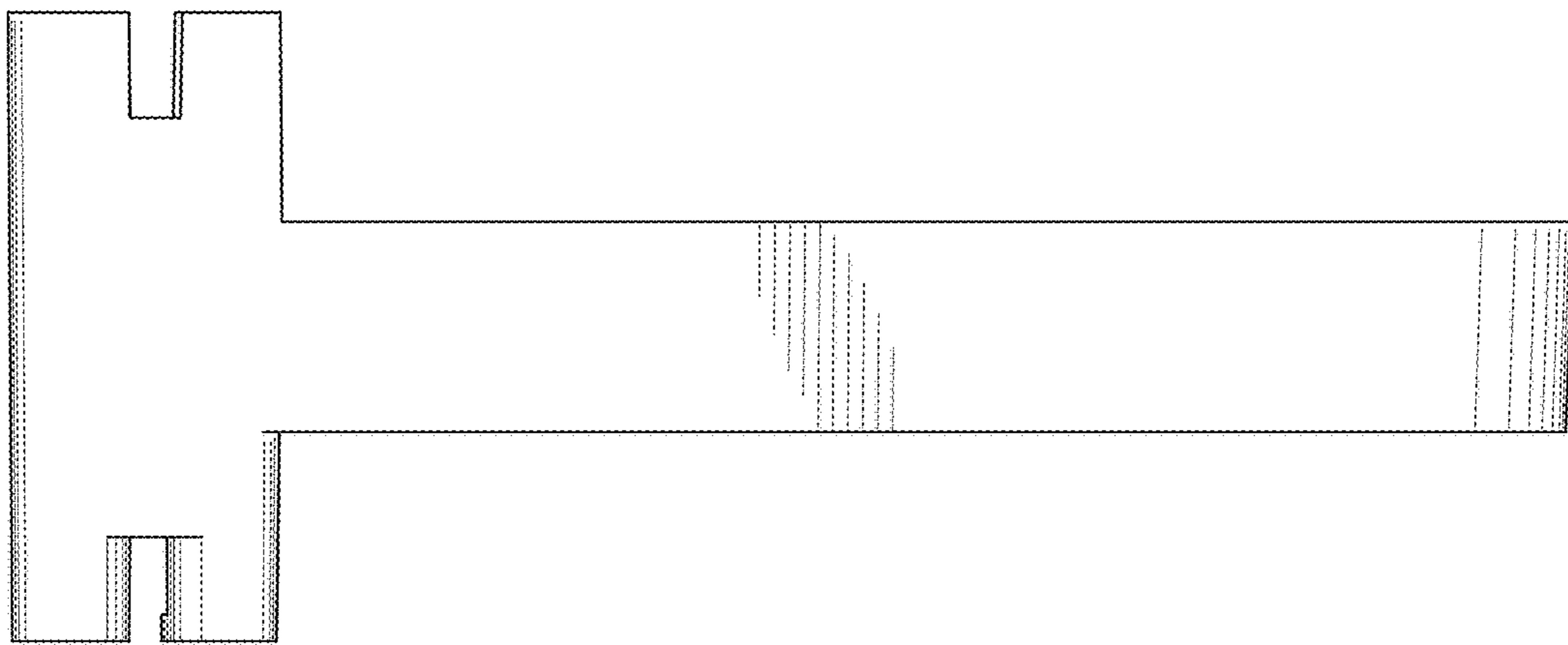


FIG. 7