

US00D794158S

(12) **United States Design Patent** (10) **Patent No.:** **US D794,158 S**
Torgerson (45) **Date of Patent:** **** Aug. 8, 2017**

- (54) **FISHING SINKER**
- (71) Applicant: **C to C Bait Company, LLC**, Beaver Dam, WI (US)
- (72) Inventor: **James L. Torgerson**, McFarland, WI (US)
- (73) Assignee: **C TO C BAIT COMPANY, LLC**, Beaver Dam, WI (US)
- (**) Term: **15 Years**
- (21) Appl. No.: **29/548,951**
- (22) Filed: **Dec. 17, 2015**
- (51) **LOC (10) Cl.** **22-05**
- (52) **U.S. Cl.**
USPC **D22/145**
- (58) **Field of Classification Search**
USPC D22/145-146, 126-133; 43/43.1, 44.87, 43/44.9, 42.48, 42.25, 42.35, 42.37, 43/42.32, 42.39, 42.36, 43.12, 42.06
CPC A01K 85/01; A01K 91/06; A01K 93/00; A01K 95/00; A01K 95/005
See application file for complete search history.

- D246,532 S * 11/1977 Ingram D22/145
- D606,160 S * 12/2009 Wang D22/145
- D690,387 S * 9/2013 Davies D22/145
- 9,060,501 B2 * 6/2015 Temple A01K 95/00

OTHER PUBLICATIONS

Uncle Josh Sizmic War Head Weight, printed page from Wayback Machine Internet Archive dated May 31, 2015, <http://www.unclejosh.com/P/SIZMICWARHEADWEIGHT/264>. Image of fishing weight printed from TackleWarehouse.com, date unknown, Believed to be prior art.

* cited by examiner

Primary Examiner — Catheri Oliver-Garcia
(74) *Attorney, Agent, or Firm* — Boardman & Clark LLP

(57) **CLAIM**

The ornamental design for a fishing sinker, as shown and described.

DESCRIPTION

FIG. 1 is a front isometric view of a fishing sinker according to an exemplary embodiment;
FIG. 2 is a front elevation view thereof;
FIG. 3 is a rear elevation view thereof;
FIG. 4 is a side elevation view thereof;
FIG. 5 is an opposite side elevation view thereof;
FIG. 6 is a top view thereof; and,
FIG. 7 is a bottom view thereof.

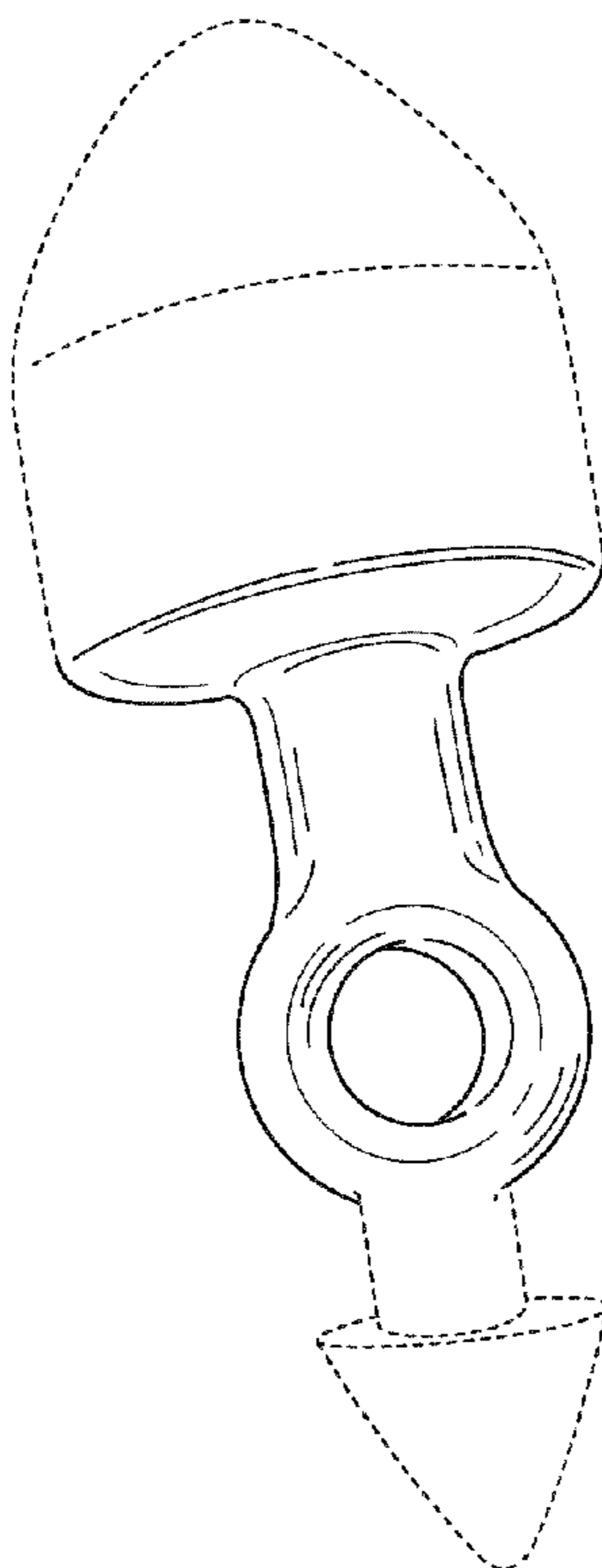
The broken lines depict portions of the design that form no part of the claimed design.

(56) **References Cited**

U.S. PATENT DOCUMENTS

- D144,012 S * 2/1946 Voigt 43/43.1
- D228,497 S * 10/1973 Crawford D22/145

1 Claim, 4 Drawing Sheets



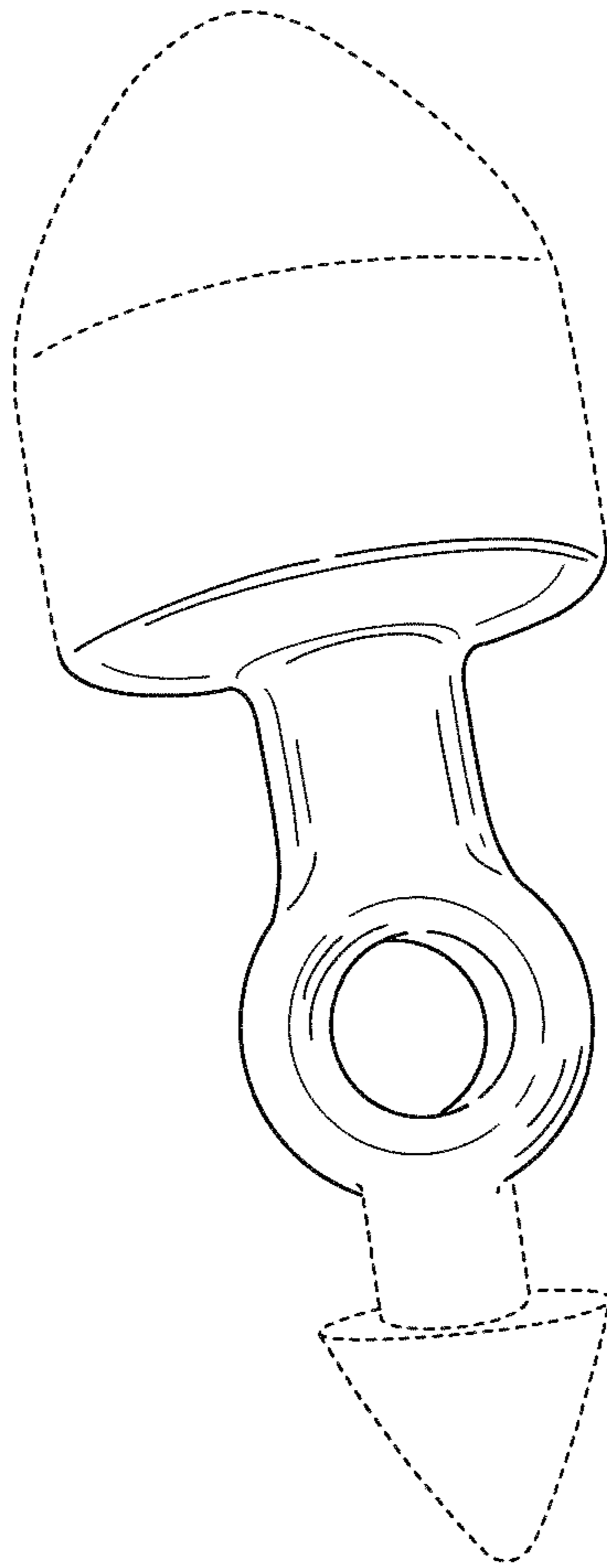


FIG. 1

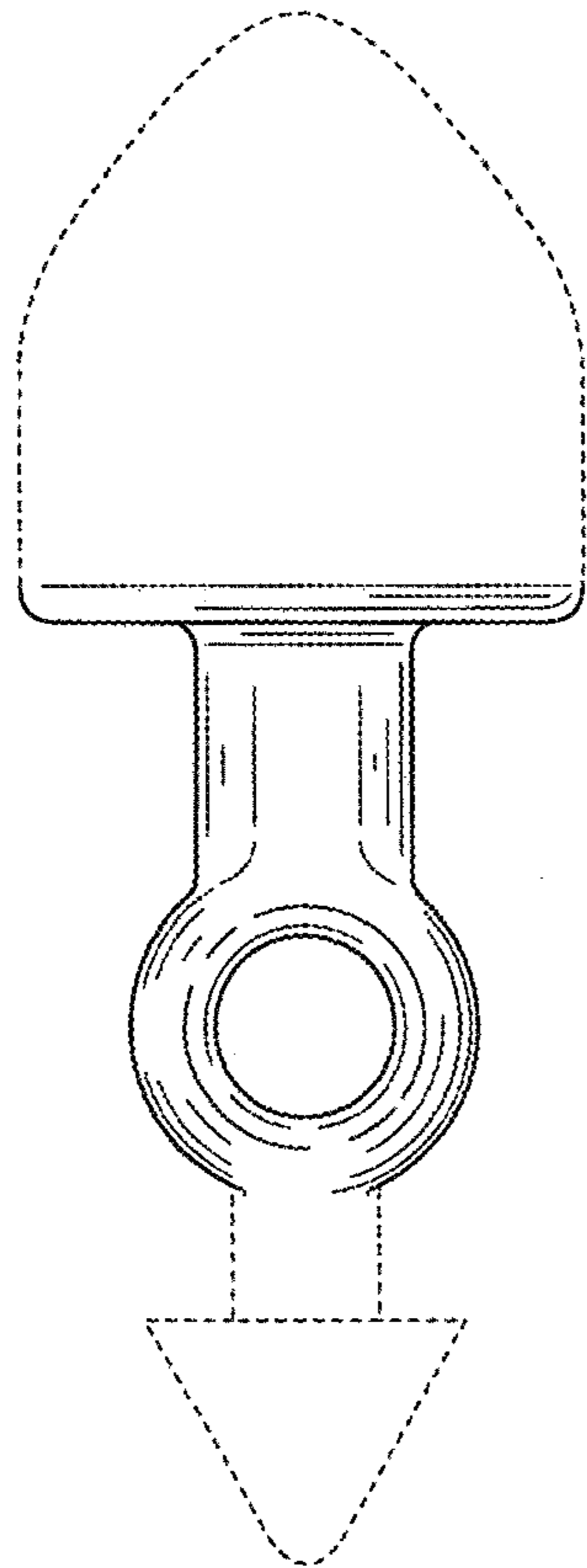


FIG. 2

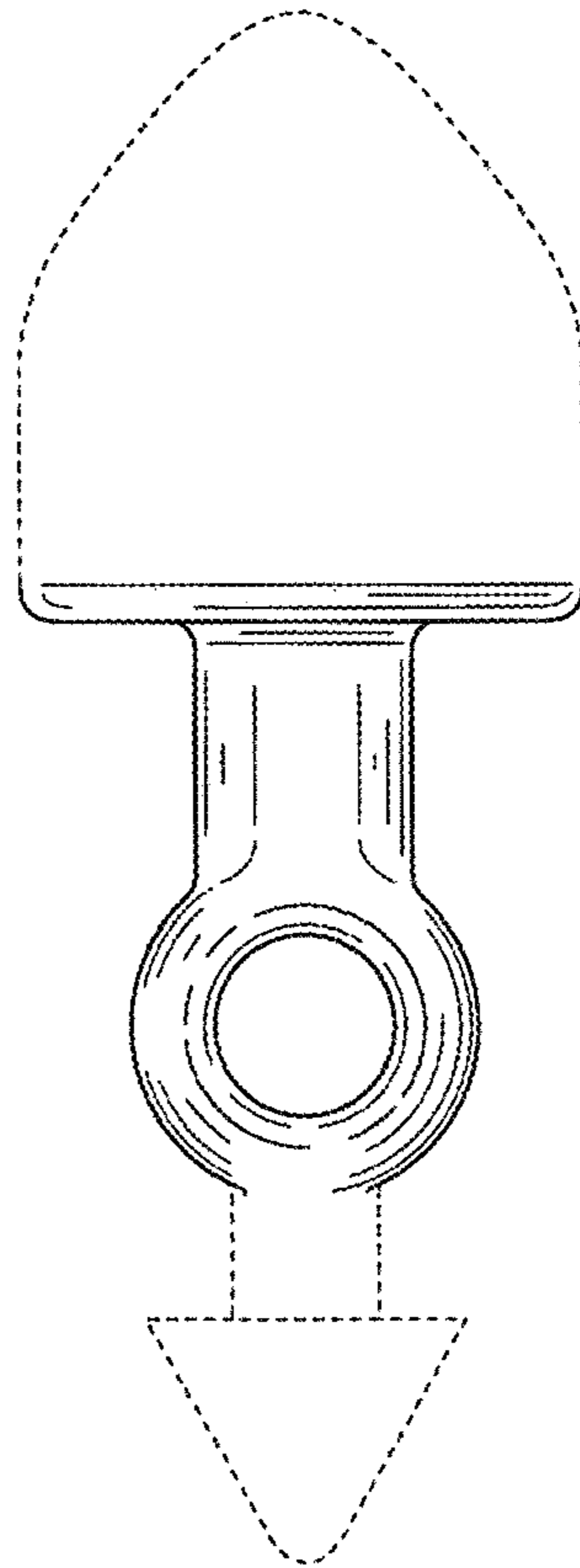


FIG. 3

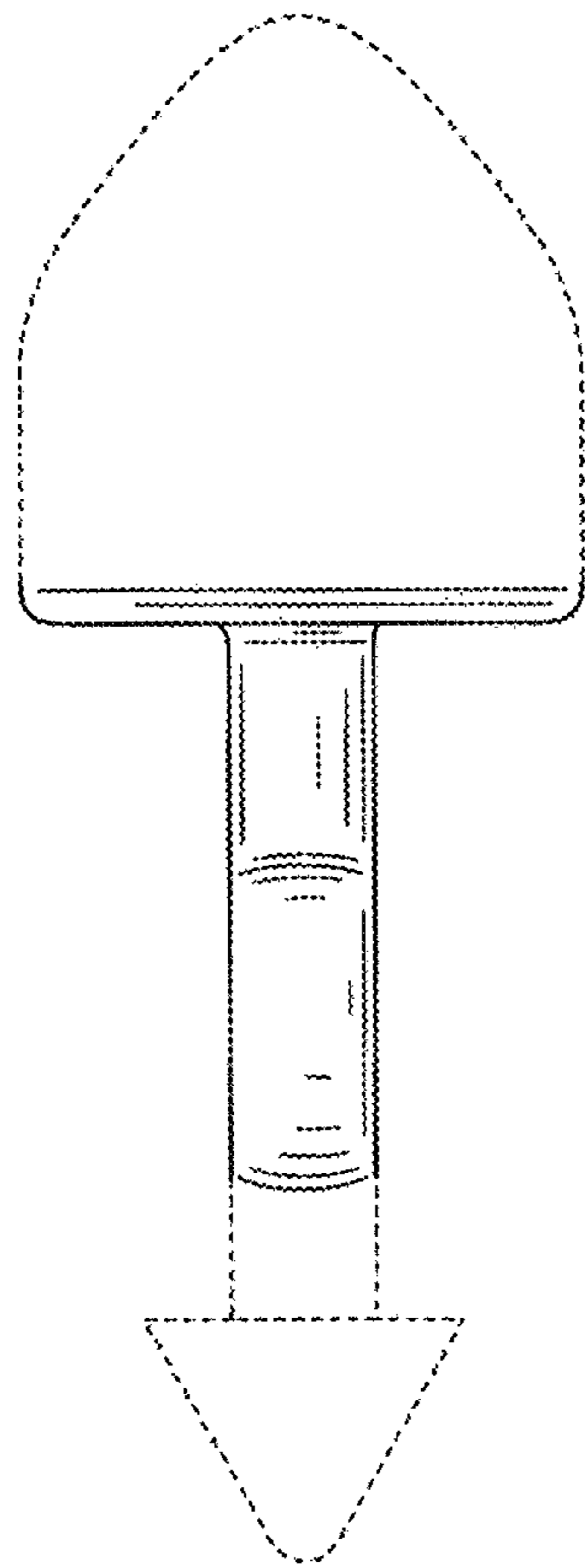


FIG. 4

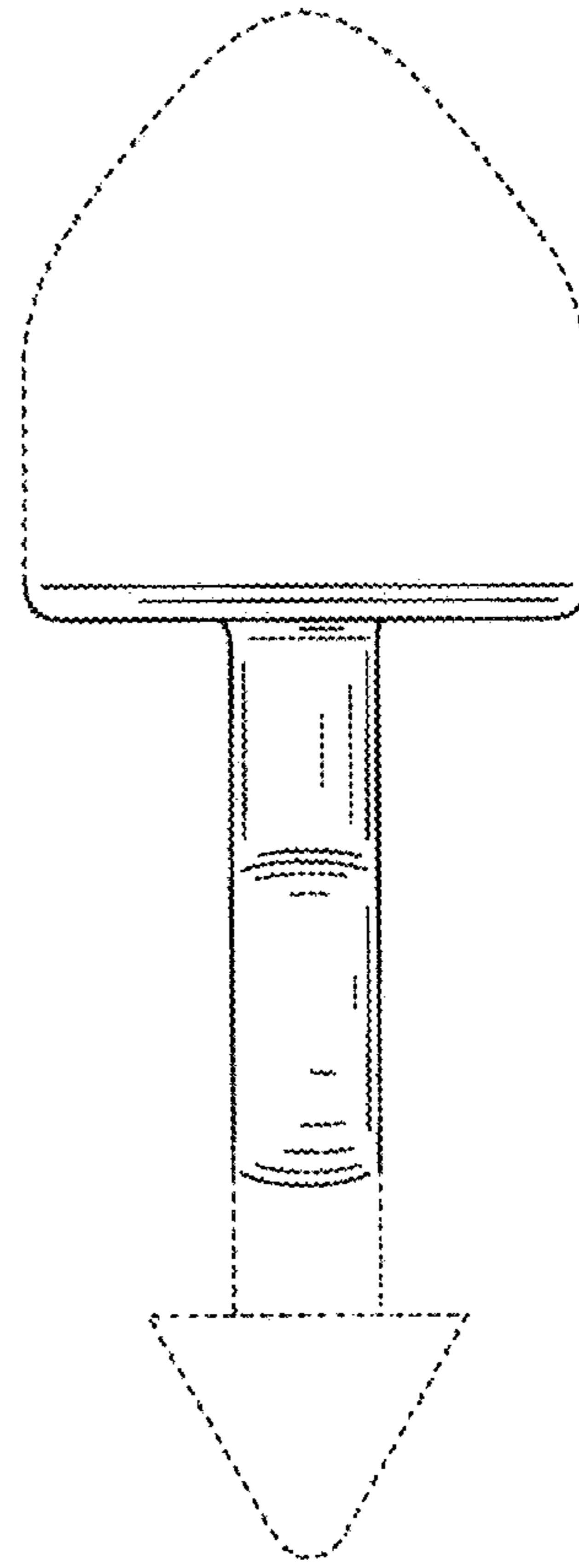


FIG. 5

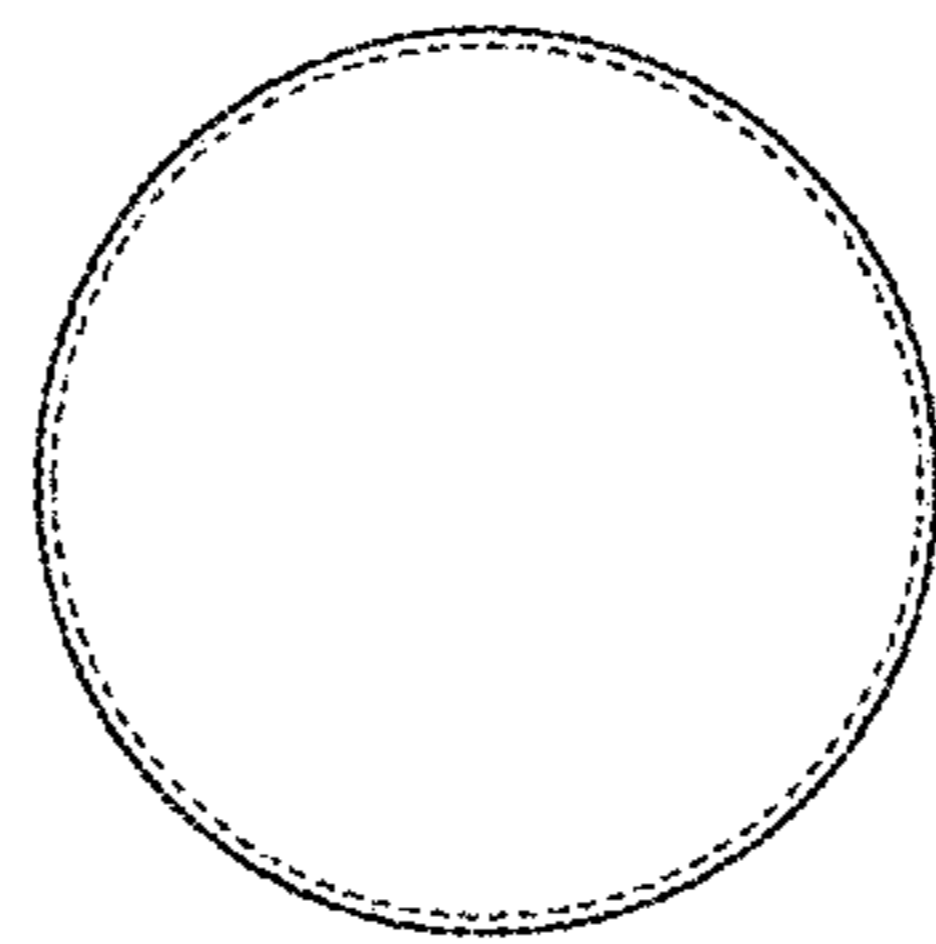


FIG. 6

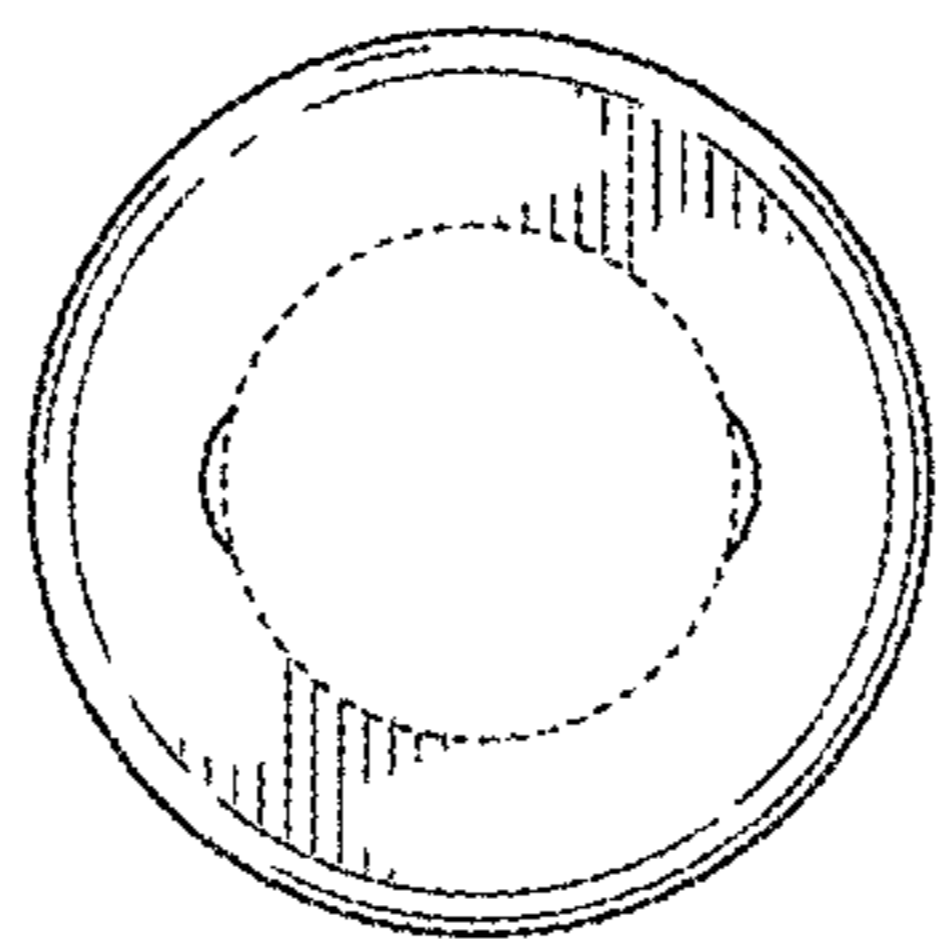


FIG. 7