



US00D794157S

(12) **United States Design Patent**  
**Jones et al.**

(10) **Patent No.:** **US D794,157 S**  
(45) **Date of Patent:** **\*\* Aug. 8, 2017**

- (54) **LIGHTED FISH NET**
- (71) Applicants: **Ken Jones**, Saint Helens, OR (US);  
**William Coverdell, IX**, Saint Helens,  
OR (US)
- (72) Inventors: **Ken Jones**, Saint Helens, OR (US);  
**William Coverdell, IX**, Saint Helens,  
OR (US)
- (\*\*) Term: **15 Years**
- (21) Appl. No.: **29/555,405**
- (22) Filed: **Feb. 22, 2016**
- (51) **LOC (10) Cl.** ..... **22-05**
- (52) **U.S. Cl.**  
USPC ..... **D22/135**
- (58) **Field of Classification Search**  
USPC ..... D22/135-136, 139; 43/7, 10-12, 17.5;  
383/3, 117  
CPC ..... A01L 77/00; A01L 87/08; A01L 97/20;  
A01L 75/00; A01L 61/001; A01L 61/007;  
A01L 73/045; A01L 74/00; A01L 75/04;  
A01L 97/08  
See application file for complete search history.

- 4,815,227 A \* 3/1989 Flanders, Sr. .... A01K 77/00  
43/11
- D319,681 S 9/1991 Mengo
- 5,822,908 A \* 10/1998 Blanchard ..... A01K 77/00  
43/11
- D489,789 S \* 5/2004 Helms ..... 43/7
- 7,395,629 B1 \* 7/2008 Thomas ..... A01K 77/00  
43/11
- 7,624,530 B2 \* 12/2009 Resch ..... A01K 77/00  
43/12
- D686,691 S \* 7/2013 Blood ..... D22/135
- 9,080,848 B1 \* 7/2015 Gold ..... A01K 77/00

\* cited by examiner

*Primary Examiner* — Catheri Oliver-Garcia

(57) **CLAIM**

The ornamental design for a lighted fish net, as shown and described.

**DESCRIPTION**

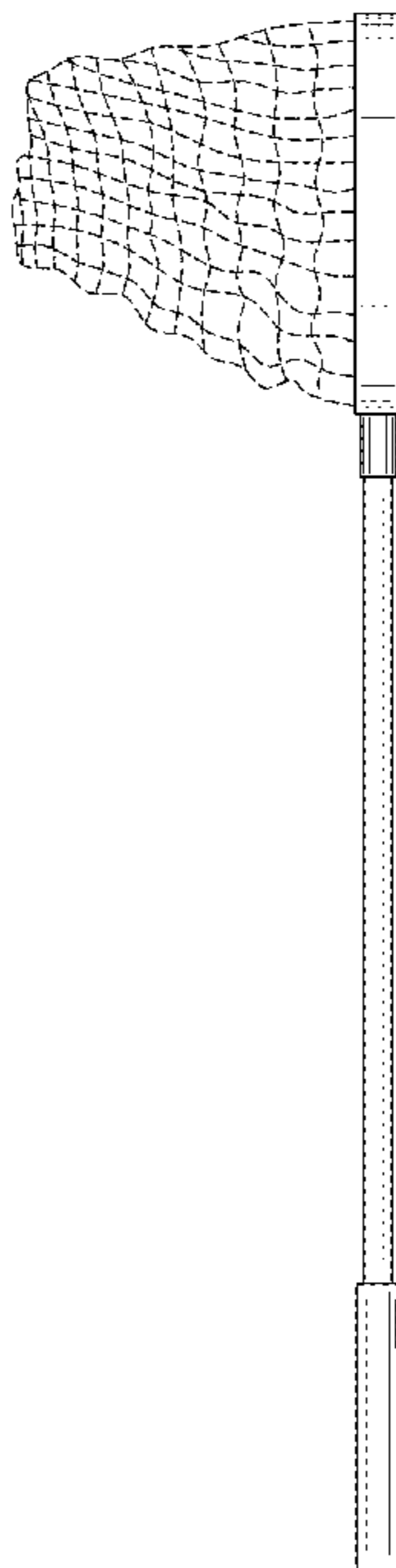
FIG. 1 is a front view of a lighted fish net showing my new design;  
 FIG. 2 is a rear view of the lighted fish net;  
 FIG. 3 is a left side view of the lighted fish net, a right side view being a mirror image thereof;  
 FIG. 4 is a top view of the lighted fish net;  
 FIG. 5 is a bottom view of the lighted fish net;  
 FIG. 6 is a bottom front side perspective view of the lighted fish net; and,  
 FIG. 7 is a top front side perspective view of the lighted fish net.  
 The broken lines depict a fishing net and are included for the purpose of illustrating only and forms no part of the claimed design.

**1 Claim, 6 Drawing Sheets**

(56) **References Cited**

U.S. PATENT DOCUMENTS

- 2,420,087 A 5/1947 Meek
- 2,791,676 A \* 5/1957 Cote ..... A01K 87/08  
43/11
- 2,874,506 A \* 2/1959 Cliff ..... A01K 77/00  
43/11
- 3,077,693 A 2/1963 Wallin
- 4,800,667 A 1/1989 Johnson



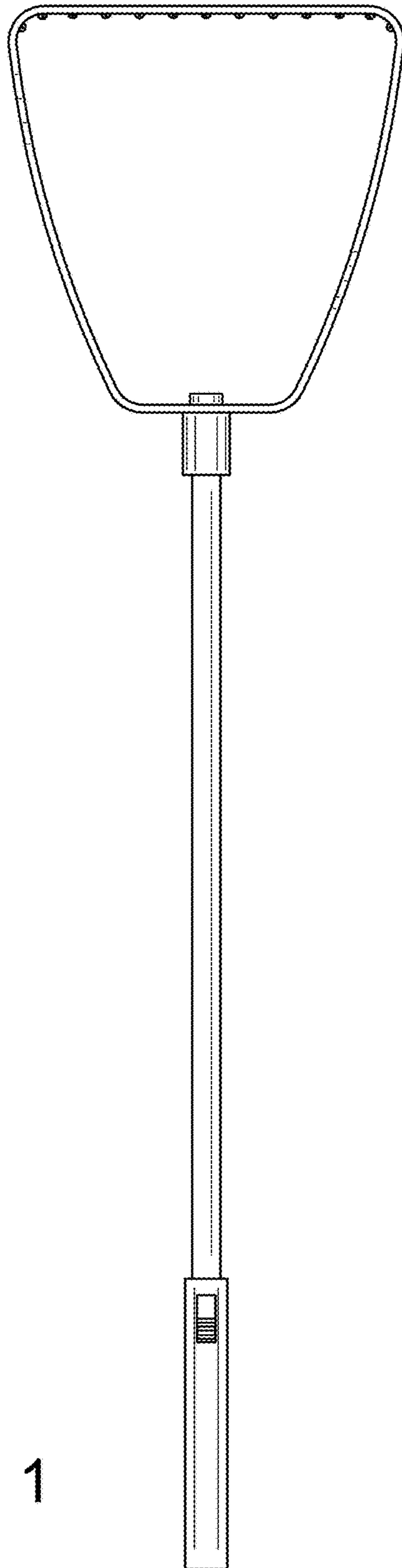


FIG. 1

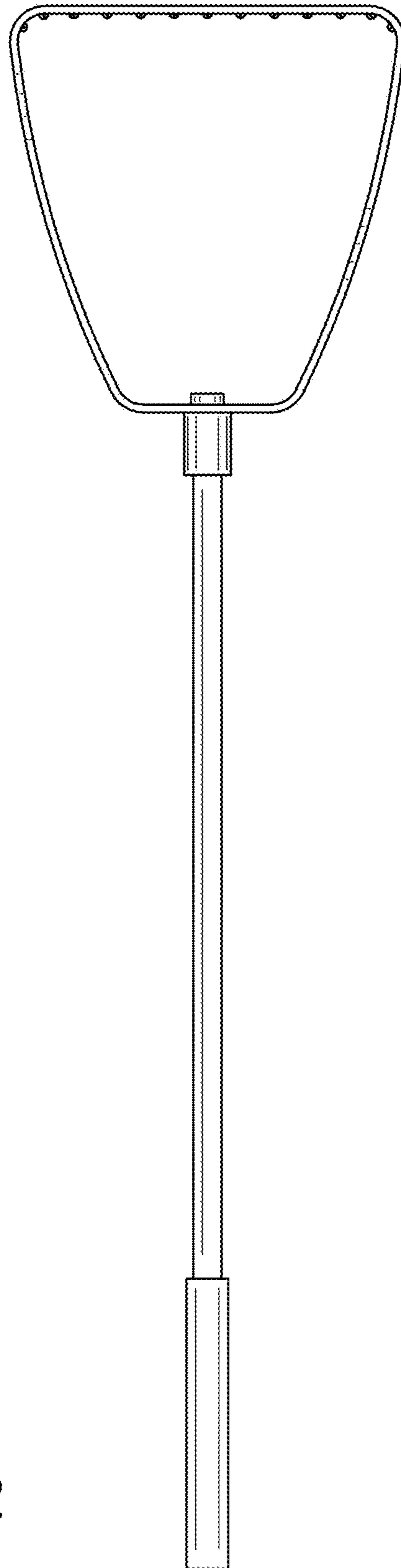


FIG. 2

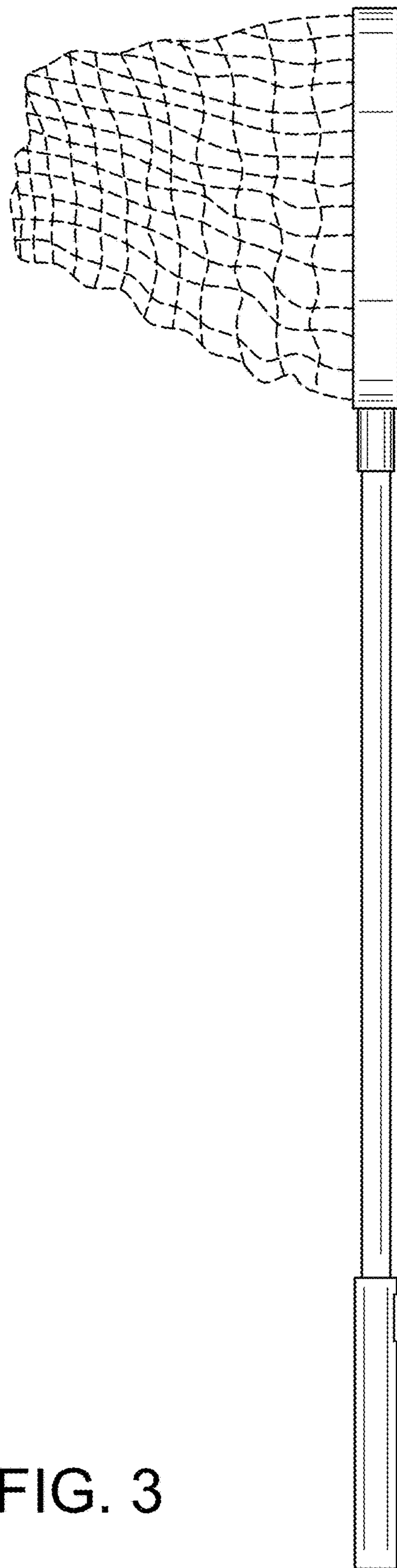


FIG. 3

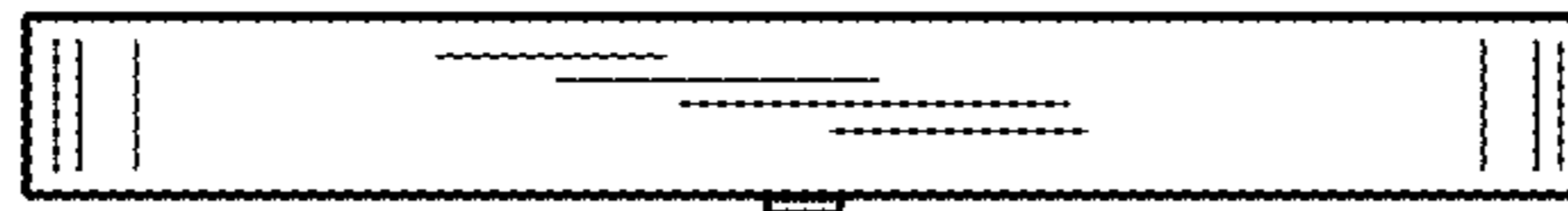


FIG. 4



FIG. 5

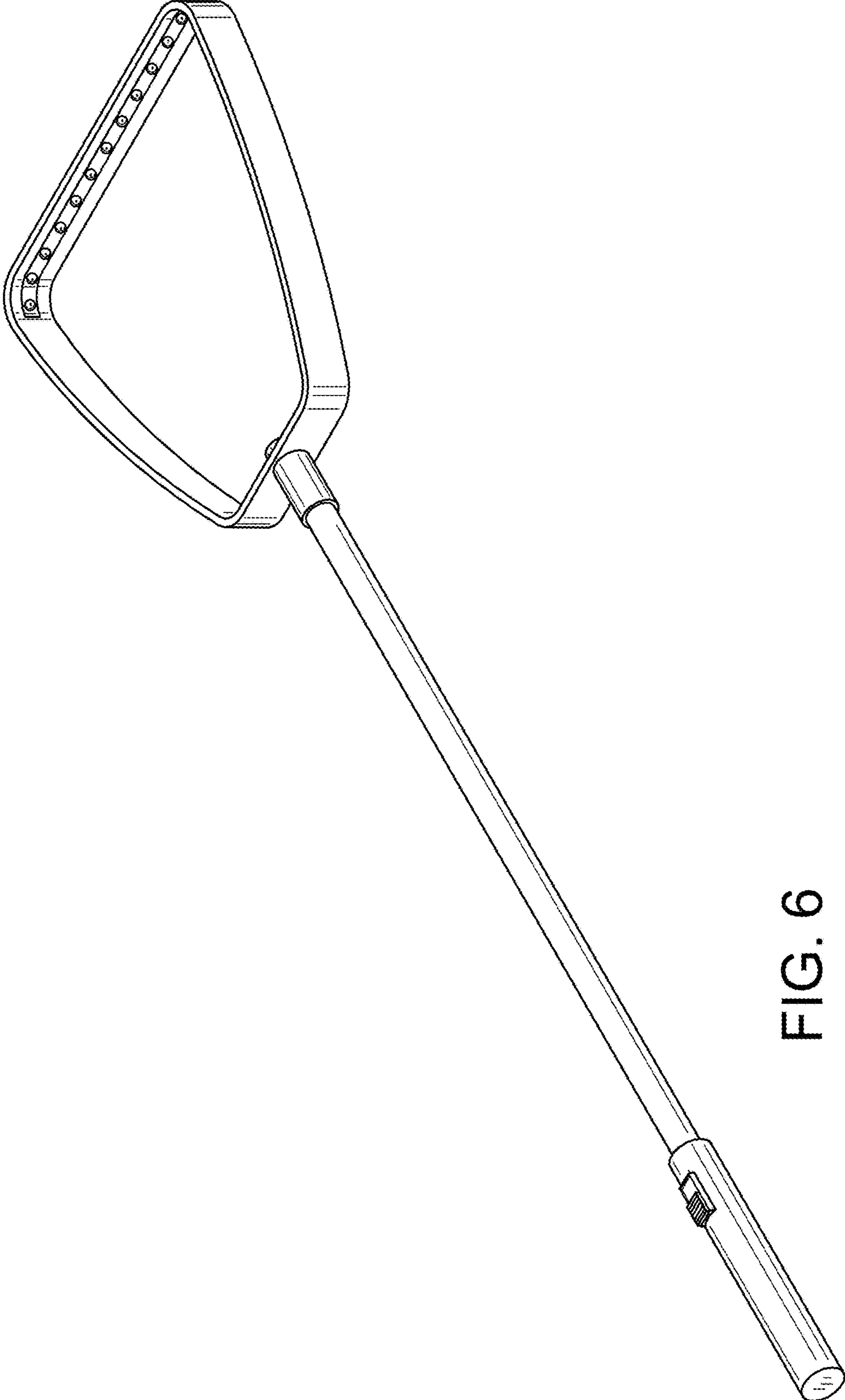


FIG. 6

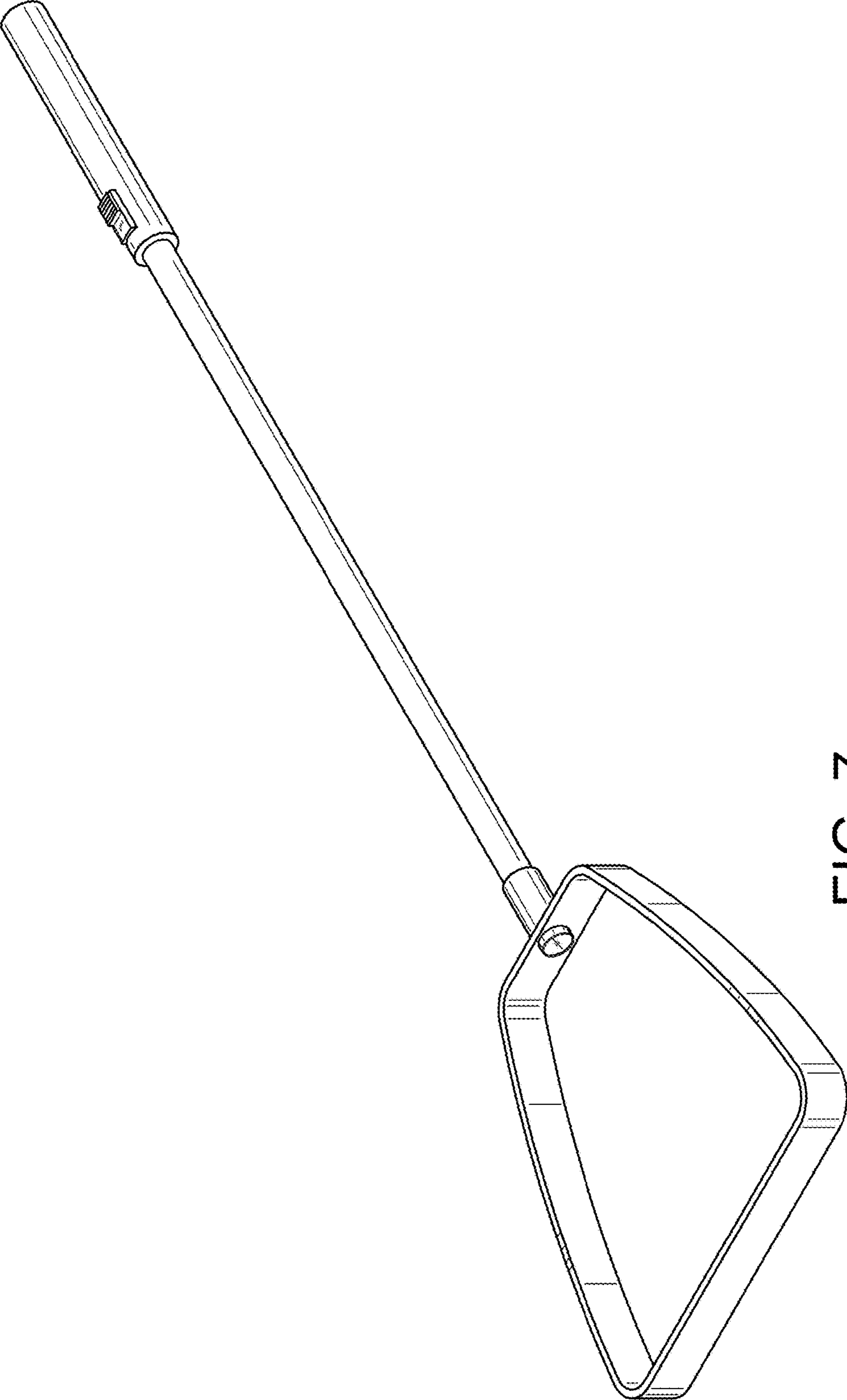


FIG. 7