



US00D794153S

(12) **United States Design Patent** (10) **Patent No.:** **US D794,153 S**  
**Capps et al.** (45) **Date of Patent:** **\*\* Aug. 8, 2017**

- (54) **FIREARM TRIGGER**
- (71) Applicants: **John Capps**, Maricopa, AZ (US);  
**Frank DeSomma**, Glendale, AZ (US)
- (72) Inventors: **John Capps**, Maricopa, AZ (US);  
**Frank DeSomma**, Glendale, AZ (US)
- (73) Assignee: **PATRIOT ORDNANCE FACTORY, INC.**, Phoenix, AZ (US)

2,102,622 A 12/1937 Green  
 2,110,165 A 3/1938 Moore  
 2,116,141 A 5/1938 Browning  
 (Continued)

- (\*\*) Term: **15 Years**
- (21) Appl. No.: **29/551,237**
- (22) Filed: **Jan. 12, 2016**

**Related U.S. Application Data**

- (63) Continuation of application No. 29/502,433, filed on Sep. 16, 2014, now Pat. No. Des. 750,725, which is a continuation of application No. 29/449,556, filed on Mar. 15, 2013, now Pat. No. Des. 716,404.
- (51) **LOC (10) Cl.** ..... **22-01**
- (52) **U.S. Cl.**  
USPC ..... **D22/108**
- (58) **Field of Classification Search**  
USPC ..... D22/103-104, 108  
CPC ..... F41A 19/10; F41A 19/12; F41A 19/44;  
F41A 19/31  
See application file for complete search history.

(56) **References Cited**

**U.S. PATENT DOCUMENTS**

1,290,853 A	1/1919	Sturgeon
1,352,414 A	9/1920	Payne
1,357,208 A	10/1920	Payne
1,402,459 A	1/1922	Gustaf
1,738,501 A	12/1929	Moore
1,789,835 A	1/1931	Pedersen
1,879,603 A	9/1932	Coupland
1,912,757 A	6/1933	Brump

**OTHER PUBLICATIONS**

USPTO; Non-Final Office Action dated Nov. 24, 2010 in U.S. Appl. No. 12/489,592.  
 (Continued)

*Primary Examiner* — Michael A Pratt  
 (74) *Attorney, Agent, or Firm* — Snell & Wilmer, L.L.P.

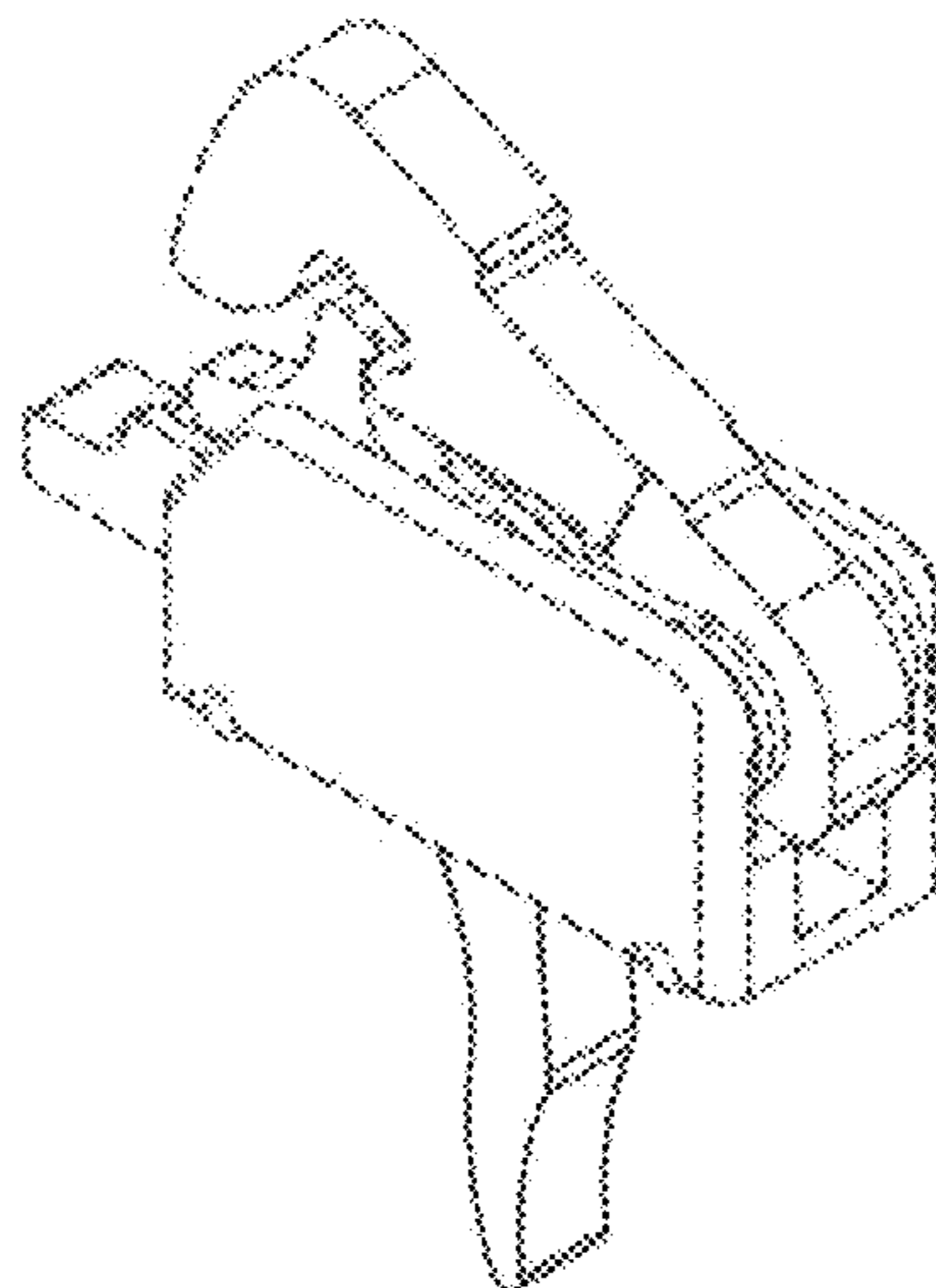
(57) **CLAIM**

The ornamental design for the firearm trigger, as shown and described.

**DESCRIPTION**

FIG. 1 is a first perspective view depicting an embodiment of a new design for a firearm trigger;  
 FIG. 2 is a second perspective view depicting an embodiment of a new design for a firearm trigger;  
 FIG. 3 is a side view depicting an embodiment of a new design for a firearm trigger;  
 FIG. 4 is a side view depicting an embodiment of a new design for a firearm trigger;  
 FIG. 5 is a front view depicting an embodiment of a new design for a firearm trigger;  
 FIG. 6 is a rear view depicting an embodiment of a new design for a firearm trigger;  
 FIG. 7 is a bottom view depicting an embodiment of a new design for a firearm trigger;  
 FIG. 8 is a top view depicting an embodiment of a new design for a firearm trigger; and,  
 FIG. 9 is a side view depicting an embodiment of a new design of a firearm trigger installed in an exemplary firearm. The portion shown in broken line is for illustrative purposes only and forms no part of the claim design.

**1 Claim, 5 Drawing Sheets**



(56)

References Cited

U.S. PATENT DOCUMENTS

2,124,075	A	7/1938	Moore	7,131,228	B2	11/2006	Hochstrate et al.
2,287,066	A	6/1942	Rogers	D544,063	S	6/2007	Swan
2,391,864	A	1/1946	Chandler	7,316,091	B1	1/2008	Desomma
2,437,548	A	3/1948	William	7,363,741	B2	4/2008	Desomma
2,467,372	A	4/1949	De Permentier	7,418,898	B1	9/2008	Desomma
2,482,880	A	9/1949	Sefried	7,421,937	B1	9/2008	Gangl
2,570,292	A	10/1951	Umsted	7,464,496	B1	12/2008	Davies
2,816,484	A	12/1957	Grages	D590,473	S	4/2009	Fitzpatrick et al.
2,935,912	A	5/1960	Hartley	D593,617	S	6/2009	Dochterman
3,051,057	A	8/1962	Ivy	7,584,567	B1	9/2009	Desomma
3,071,225	A	1/1963	Blau et al.	7,600,338	B2	10/2009	Geissele
3,118,243	A	1/1964	Manshel	D604,793	S	11/2009	Fitzpatrick et al.
3,455,204	A	7/1969	Stoner	7,753,679	B1	7/2010	Schuetz
3,675,534	A	7/1972	Beretta	7,784,211	B1	8/2010	Desomma
3,724,325	A	4/1973	Silsby	D624,609	S	9/2010	Stein et al.
3,736,693	A	6/1973	Koch	7,798,045	B1	9/2010	Fitzpatrick et al.
3,908,214	A	9/1975	Doloreto	7,827,722	B1	11/2010	Davies
3,943,821	A	3/1976	Seifried	D629,062	S	12/2010	Peterson et al.
4,244,273	A	1/1981	Langendorfer	7,856,917	B2	12/2010	Noveske
4,246,830	A	1/1981	Krieger	D630,698	S	1/2011	Peterson et al.
4,521,985	A	6/1985	Smith et al.	7,891,284	B1	2/2011	Barrett
4,536,982	A	8/1985	Bredbury	7,905,041	B1	3/2011	Davies
4,576,083	A	3/1986	Seberger	7,930,968	B2	4/2011	Giefing
H107	H	8/1986	Bauer	D643,086	S	8/2011	Peterson et al.
4,651,455	A	3/1987	Geiser	D645,532	S	9/2011	Peterson et al.
4,658,702	A	4/1987	Tatro	8,056,460	B2	11/2011	Herring
4,663,875	A	5/1987	Tatro	8,091,265	B1	1/2012	Teetzel
4,759,144	A	7/1988	Egan et al.	8,161,864	B1	4/2012	Vuksanovich
4,765,224	A	8/1988	Morris	8,230,634	B1	7/2012	Davies
4,937,964	A	7/1990	Crandall	8,261,653	B2	9/2012	Crommett
5,183,959	A	2/1993	McCoan et al.	8,479,428	B1	7/2013	Desomma
5,272,956	A	12/1993	Hudson	8,826,797	B2	9/2014	Overstreet
5,343,650	A	9/1994	Swan	D716,404	S	10/2014	Capps
5,351,598	A	10/1994	Schuetz	8,863,637	B2	10/2014	Hall
5,386,659	A	2/1995	Vaid et al.	8,869,674	B2	10/2014	Ruck
5,479,737	A	1/1996	Osborne et al.	8,875,614	B2	11/2014	Gomez
5,543,787	A	8/1996	Karidis et al.	8,978,282	B2	3/2015	Garrett
5,551,179	A	9/1996	Young	9,194,638	B2	11/2015	Larson et al.
5,590,484	A	1/1997	Mooney	D750,725	S	3/2016	Capps
5,634,288	A	6/1997	Martel	D755,339	S *	5/2016	Geissele ..... D22/108
5,726,377	A	3/1998	Harris et al.	D757,199	S *	5/2016	Bender ..... D22/108
5,770,814	A	6/1998	Ealovega	D764,004	S *	8/2016	Bender ..... D22/108
D399,914	S	10/1998	Walker	9,429,375	B2	8/2016	DeSomma
5,827,992	A	10/1998	Harris et al.	D771,767	S *	11/2016	Niswander ..... D22/108
5,930,935	A	8/1999	Griffin	D777,285	S *	1/2017	Bender ..... D22/108
5,983,774	A	11/1999	Mihaita	2003/0010186	A1	1/2003	Muirhead
6,070,352	A	6/2000	Daigle	2003/0010187	A1	1/2003	Muirhead
6,113,285	A	9/2000	Ward	2004/0064994	A1	4/2004	Luke
6,209,250	B1	4/2001	Mills	2004/0226212	A1	11/2004	Shiloni
6,217,205	B1	4/2001	Ward	2005/0000142	A1	1/2005	Kim et al.
D447,791	S	9/2001	Robidoux	2005/0223613	A1	10/2005	Bender
6,308,448	B1	10/2001	Kapusta et al.	2005/0241211	A1	11/2005	Swan
6,345,460	B2	2/2002	Hashman	2005/0262752	A1	12/2005	Robinson et al.
6,347,474	B1	2/2002	Wolff	2005/0262997	A1	12/2005	Brixius
D462,105	S	8/2002	Myers	2006/0010748	A1	1/2006	Stoner et al.
6,470,615	B1	10/2002	Peterken	2006/0026883	A1	2/2006	Hochstrate et al.
6,490,822	B1	12/2002	Swan	2006/0236582	A1	10/2006	Lewis et al.
6,508,027	B1	1/2003	Kim	2006/0265926	A1	11/2006	Sietsema
6,508,159	B1	1/2003	Muirhead	2006/0277810	A1	12/2006	Leitner-Wise
D477,855	S	7/2003	Selvaggio	2007/0006509	A1	1/2007	Desomma
6,606,812	B1	8/2003	Gwinn	2007/0033851	A1	2/2007	Hochstrate et al.
6,634,274	B1	10/2003	Herring	2007/0051236	A1	3/2007	Groves et al.
6,681,677	B2	1/2004	Herring	2007/0079539	A1	4/2007	Karagias
6,694,660	B1	2/2004	Davies	2007/0169393	A1	7/2007	Frost
6,722,072	B1	4/2004	McCormick et al.	2007/0180984	A1	8/2007	Huther
6,722,255	B2	4/2004	Herring	2007/0199435	A1	8/2007	Hochstrate et al.
6,779,288	B1	8/2004	Kim	2009/0223357	A1	9/2009	Herring
6,827,130	B2	12/2004	Larson	2009/0313873	A1	12/2009	Roth
6,839,998	B1	1/2005	Armstrong	2010/0000400	A1	1/2010	Brown
6,848,351	B1	2/2005	Davies	2010/0319231	A1	12/2010	Stone et al.
6,854,206	B2	2/2005	Oz	2010/0319527	A1	12/2010	Giefing
D504,168	S	4/2005	McCormick	2011/0000119	A1	1/2011	Desomma
6,921,181	B2	7/2005	Yen	2011/0016762	A1	1/2011	Davies
6,971,202	B2	12/2005	Bender	2011/0056107	A1	3/2011	Underwood
7,051,467	B1	5/2006	Huber	2011/0214327	A1	9/2011	Desomma
				2012/0117845	A1	5/2012	Desomma
				2012/0167757	A1	7/2012	Gomez
				2012/0297656	A1	11/2012	Langevin
				2013/0098235	A1	4/2013	Reinken

(56)

**References Cited**

## U.S. PATENT DOCUMENTS

2013/0174721	A1	7/2013	Langevin
2013/0220295	A1	8/2013	Wood et al.
2013/0227869	A1	9/2013	Thordsen
2014/0060312	A1	3/2014	Ruck
2014/0076149	A1	3/2014	Adams
2014/0260945	A1	9/2014	Desomma
2014/0311007	A1	10/2014	Capps
2015/0007476	A1	1/2015	Dextraze
2015/0198409	A1	7/2015	Desomma
2015/0253091	A1	9/2015	Gardner
2015/0330733	A1	11/2015	Desomma
2016/0209137	A1	7/2016	DeSomma
2016/0209138	A1	7/2016	Desomma

## OTHER PUBLICATIONS

USPTO; Notice of Allowance dated Mar. 3, 2011 in U.S. Appl. No. 12/489,592.  
 Notice of Allowance dated Jul. 7, 2014 in U.S. Appl. No. 29/449,556.  
 Restriction Requirement dated Apr. 24, 2014 in U.S. Appl. No. 29/449,556.  
 Office Action dated Jan. 29, 2015 in U.S. Appl. No. 14/216,733.  
 Final Office Action dated Jul. 16, 2015 in U.S. Appl. No. 14/216,733.  
 Notice of Allowance dated Oct. 13, 2015 in U.S. Appl. No. 29/502,433.  
 USPTO; Restriction Requirement dated Jul. 25, 2007 in U.S. Appl. No. 11/056,306.  
 USPTO; Non-Final Office Action dated Oct. 10, 2007 in U.S. Appl. No. 11/056,306.  
 USPTO; Notice of Allowance dated May 9, 2008 in U.S. Appl. No. 11/056,306.  
 USPTO; Restriction Requirement dated Nov. 15, 2006 in U.S. Appl. No. 11/174,270.  
 USPTO; Non-Final Office Action dated Mar. 15, 2007 in U.S. Appl. No. 11/174,270.  
 USPTO; Final Office Action dated Sep. 26, 2007 in U.S. Appl. No. 11/174,270.  
 USPTO; Notice of Allowance dated Jan. 14, 2008 in U.S. Appl. No. 11/174,270.  
 USPTO; Non-Final Office Action dated Jan. 18, 2007 in U.S. Appl. No. 11/232,521.  
 USPTO; Final Office Action dated Jun. 15, 2007 in U.S. Appl. No. 11/232,521.  
 USPTO; Notice of Allowance dated Aug. 15, 2007 in U.S. Appl. No. 11/232,521.  
 USPTO; Non-Final Office Action dated Apr. 29, 2008 in U.S. Appl. No. 11/442,035.  
 USPTO; Notice of Allowance dated Sep. 30, 2008 in U.S. Appl. No. 11/442,035.  
 USPTO; Non-Final Office Action dated Dec. 27, 2007 in U.S. Appl. No. 11/527,851.  
 USPTO; Final Office Action dated Aug. 13, 2008 in U.S. Appl. No. 11/527,851.  
 USPTO; Non-Final Office Action dated Mar. 3, 2009 in U.S. Appl. No. 11/527,851.

USPTO; Final Office Action dated Sep. 1, 2009 in U.S. Appl. No. 11/527,851.  
 USPTO; Notice of Allowance dated Mar. 29, 2013 in U.S. Appl. No. 11/527,851.  
 USPTO; Non-Final Office Action dated Dec. 14, 2009 in U.S. Appl. No. 11/947,294.  
 USPTO; Notice of Allowance dated May 5, 2010 in U.S. Appl. No. 11/947,294.  
 USPTO; Non-Final Office Action dated Dec. 11, 2008 in U.S. Appl. No. 12/110,304.  
 USPTO; Notice of Allowance dated May 29, 2009 in U.S. Appl. No. 12/110,304.  
 USPTO; Non-Final Office Action dated Nov. 24, 2010 in U.S. Application dated Nov. 24, 2010.  
 USPTO; Notice of Allowance dated Mar. 3, 2011 in U.S. Application dated Mar. 3, 2011.  
 USPTO; Non-Final Office Action dated Feb. 17, 2013 in U.S. Appl. No. 12/497,048.  
 USPTO; Non-Final Office Action dated Feb. 15, 2012 in U.S. Appl. No. 13/098,196.  
 USPTO; Final Office Action dated Jun. 11, 2012 in U.S. Appl. No. 13/098,196.  
 USPTO; Non-Final Office Action dated Feb. 21, 2012 in U.S. Appl. No. 13/105,893.  
 USPTO; Final Office Action dated Apr. 13, 2012 in U.S. Appl. No. 13/105,893.  
 USPTO; Advisory Action dated Apr. 26, 2012 in U.S. Appl. No. 13/105,893.  
 USPTO; Notice of Allowance dated Jun. 22, 2012 in U.S. Appl. No. 13/105,893.  
 USPTO; Non-Final Office Action dated Feb. 15, 2012 in U.S. Appl. No. 13/358,347.  
 USPTO; Non-Final Office Action dated Jun. 6, 2012 in U.S. Appl. No. 13/358,347.  
 USPTO; Non-Final Office Action dated Feb. 27, 2013 in U.S. Appl. No. 13/708,025.  
 USPTO; Final Office Action dated Sep. 26, 2013 in U.S. Appl. No. 13/708,025.  
 USPTO; Non-Final Office Action dated Dec. 17, 2013 in U.S. Appl. No. 13/835,842.  
 USPTO; Final Office Action dated Jun. 4, 2014 in U.S. Appl. No. 13/835,842.  
 USPTO; Non-Final Office Action dated Oct. 24, 2014 in U.S. Appl. No. 13/835,842.  
 USPTO; Final Office Action dated Jun. 18, 2015 in U.S. Appl. No. 13/835,842.  
 USPTO; Non-Final Office Action dated Jan. 5, 2016 in U.S. Appl. No. 13/835,842.  
 USPTO; Final Office Action dated Jun. 1, 2016 in U.S. Appl. No. 13/835,842.  
 USPTO; Non-Final Office Action dated Jun. 23, 2016 in U.S. Appl. No. 15/002,096.  
 USPTO; Non-Final Office Action dated Jun. 22, 2016 in U.S. Appl. No. 15/002,382.  
 POF-USA Patriot Ordnance Factory, Inc., Upper Receiver web page, Retrieved from <http://web.archive.org/web/20100922070336/http://www.pof-usa.com/upper/upperreceiver.html>[Sep. 17, 2012 9:19:17 AM].

\* cited by examiner

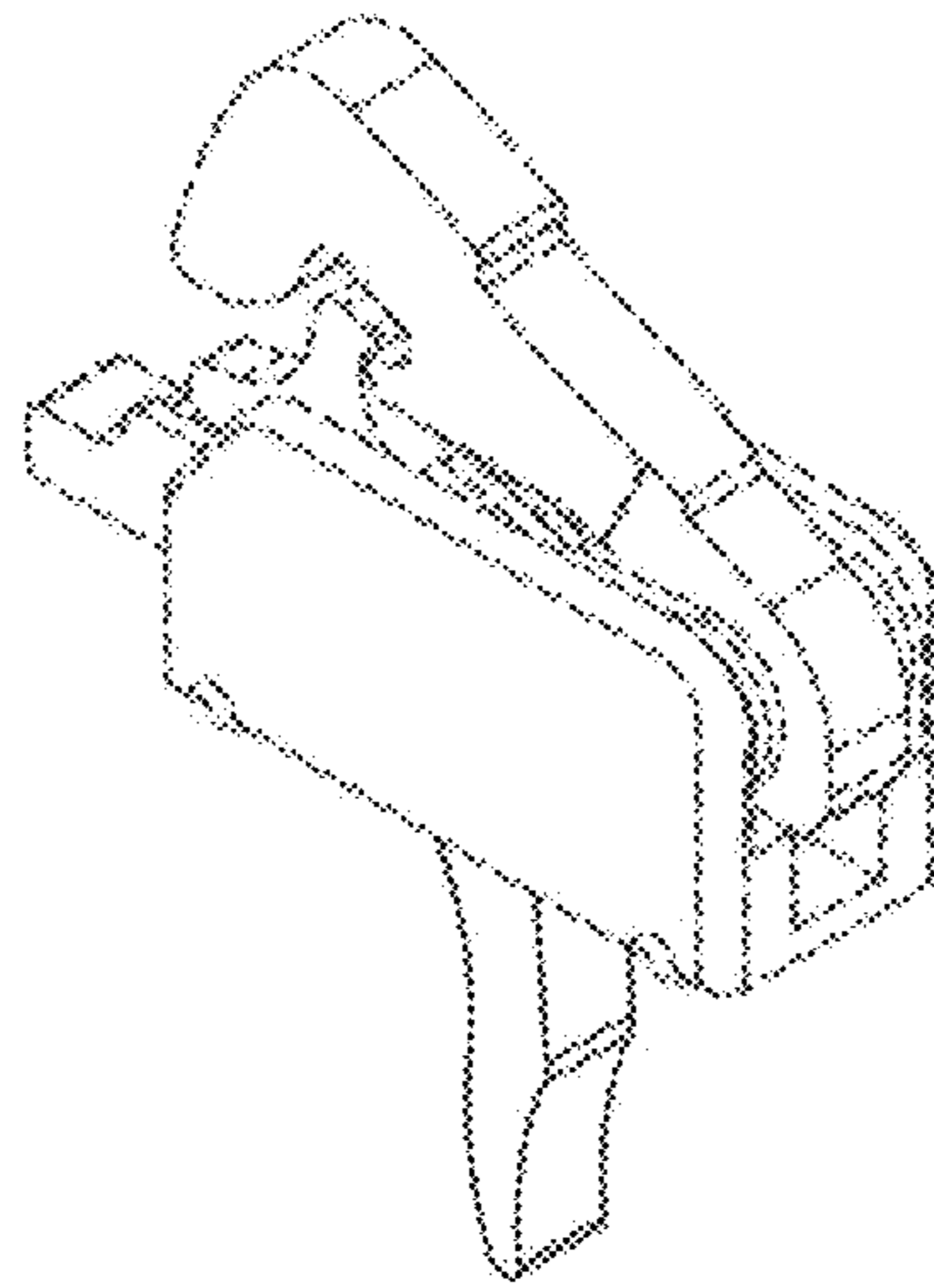


Fig. 1

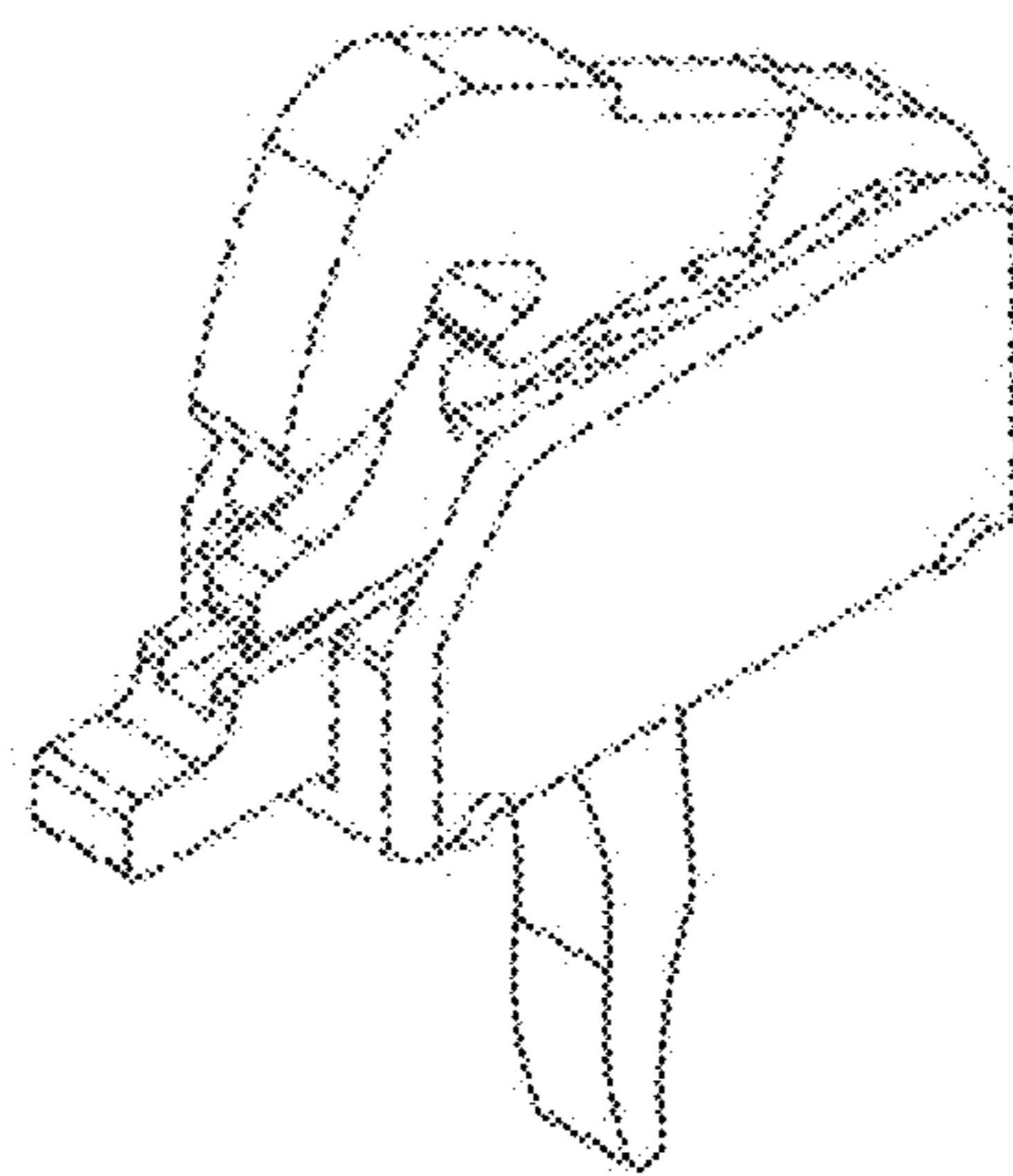


Fig. 2

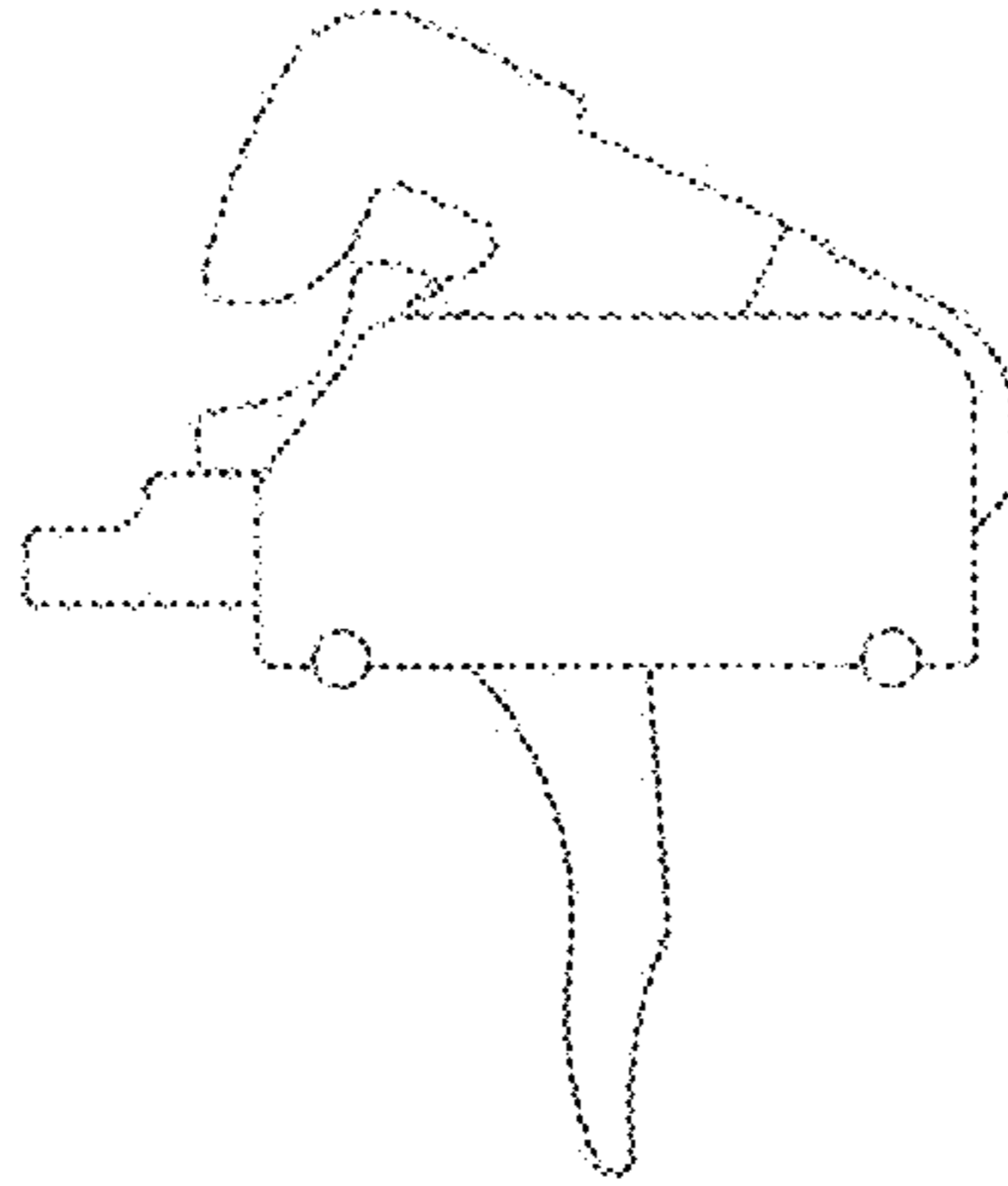


Fig. 3

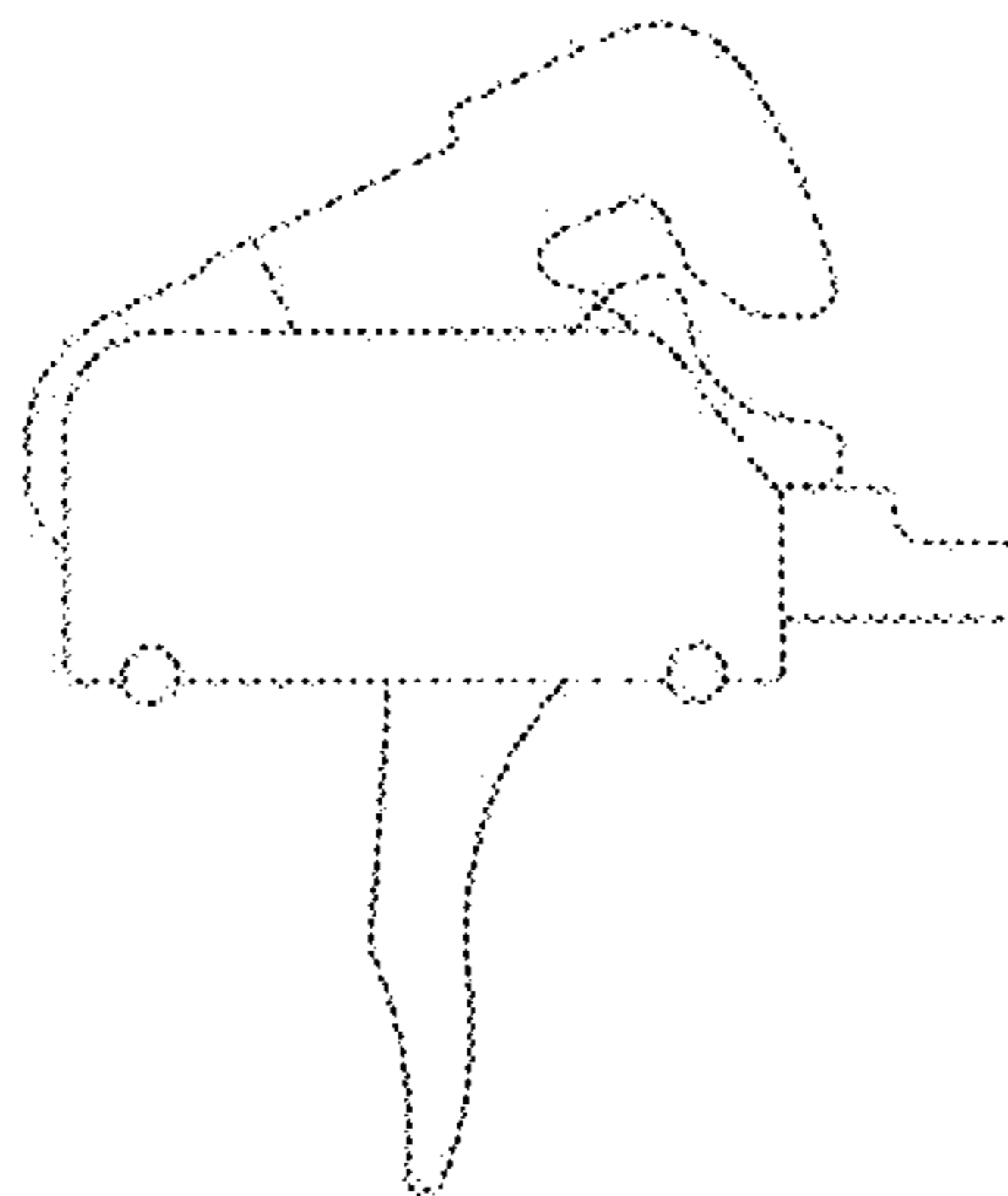


Fig. 4

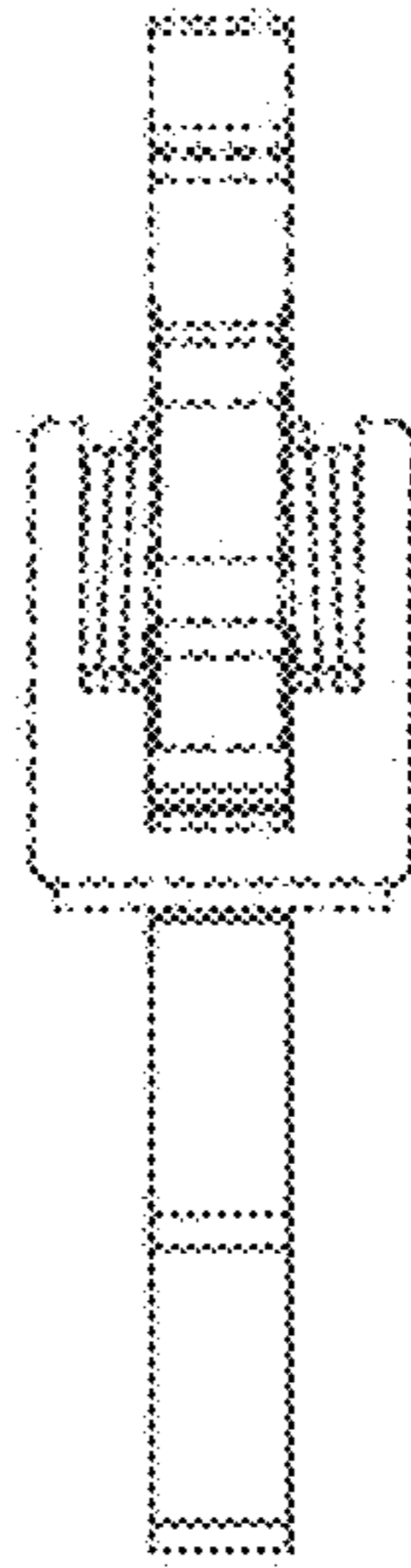


Fig. 5

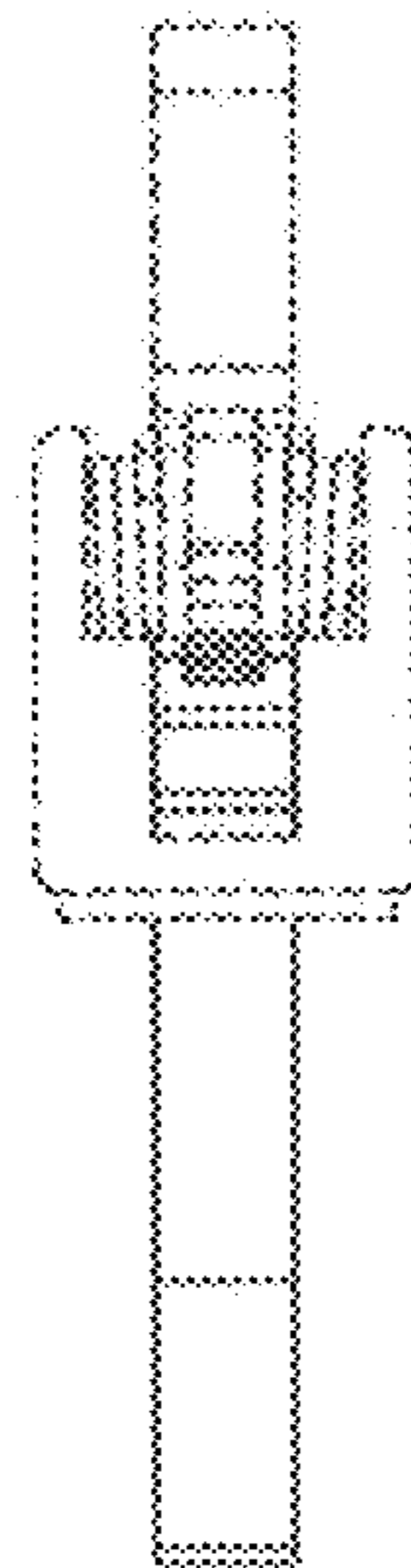


Fig. 6

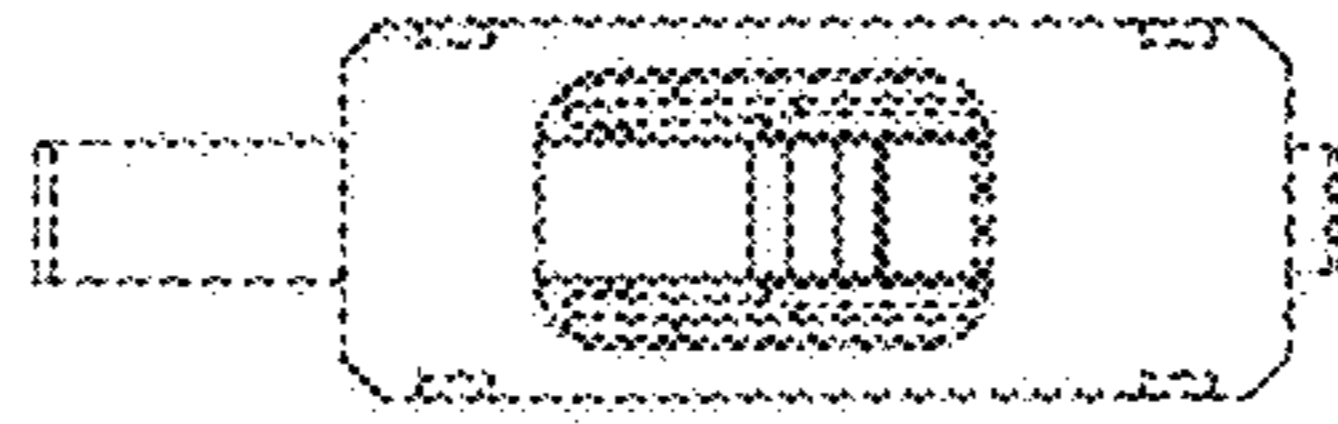


Fig. 7

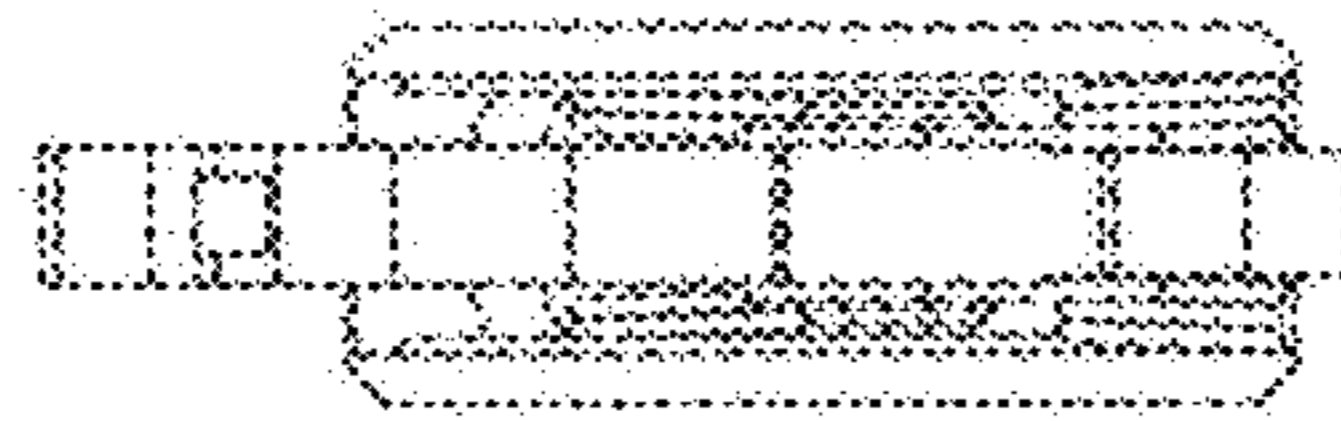


Fig. 8

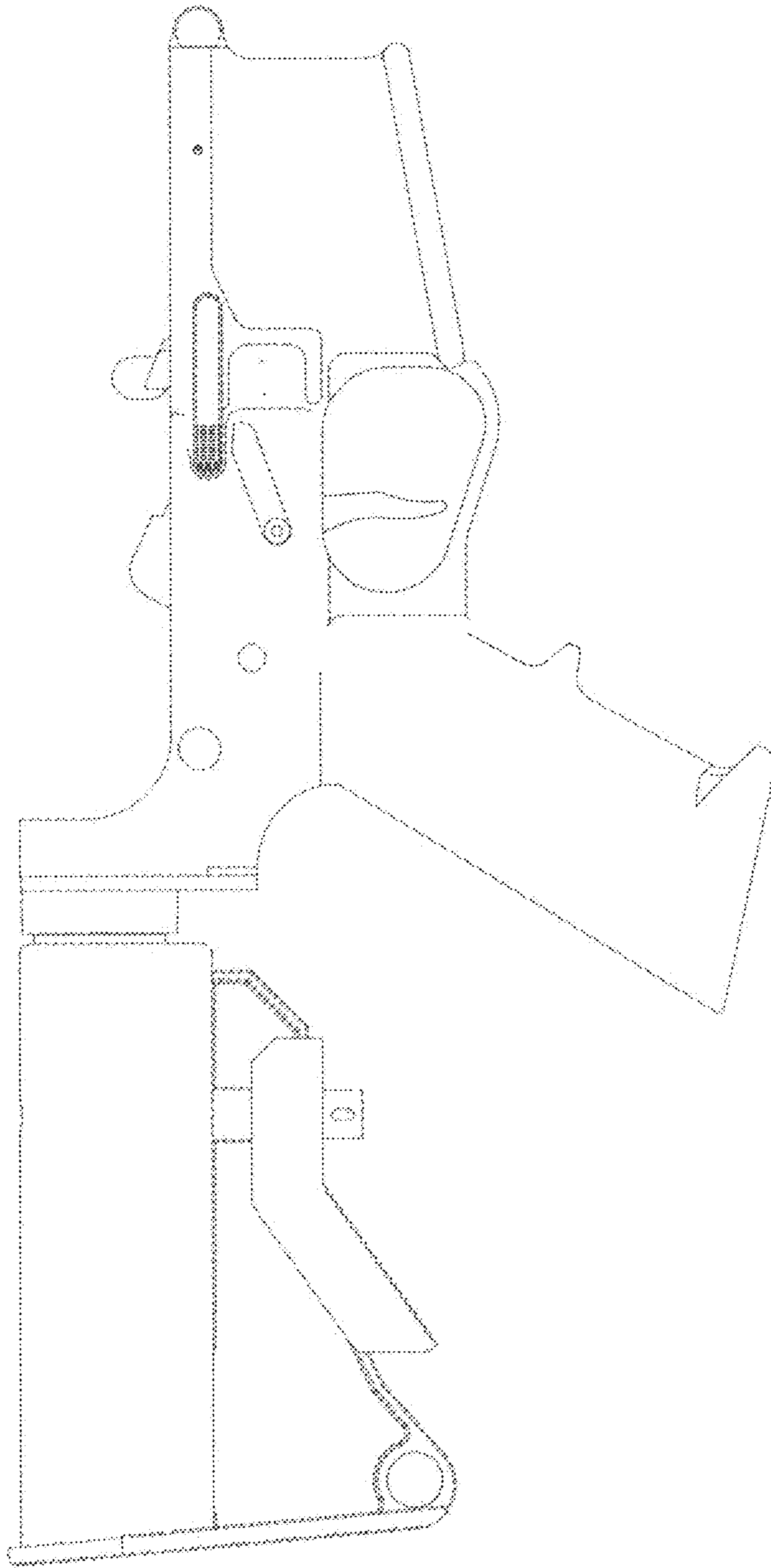


Fig. 9