



US00D794152S

(12) **United States Design Patent**
Kim

(10) **Patent No.:** **US D794,152 S**

(45) **Date of Patent:** **** Aug. 8, 2017**

- (54) **SWING TRAINER**
- (71) Applicant: **Sky Kim**, Los Angeles, CA (US)
- (72) Inventor: **Sky Kim**, Los Angeles, CA (US)
- (**) Term: **15 Years**
- (21) Appl. No.: **29/548,726**
- (22) Filed: **Dec. 16, 2015**
- (51) **LOC (10) Cl.** **21-02**
- (52) **U.S. Cl.**
USPC **D21/799.1**
- (58) **Field of Classification Search**
USPC D21/466, 683, 698, 707, 713, 715, 719,
D21/722, 723, 780, 799.1; D29/100,
D29/120.1; D24/190; 473/450, 453, 457,
473/458, 461, 464; D11/200, 201, 2-5;
D2/610, 614, 623; D3/215, 218, 221,
D3/226, 228, 229, 254, 257, 271.9;
D10/30-33
CPC A63B 69/0057; A63B 69/0059; A63B
69/00; A63B 69/0002; A63B 69/0015;
A63B 2069/0004; A63B 2069/0006;
A63B 2069/0008; A63B 65/122; A63B
65/125; A63B 69/38; A63B 69/385; A63B
2209/10; A63B 69/0079; A63B 69/3608
See application file for complete search history.

- (56) **References Cited**
U.S. PATENT DOCUMENTS
4,027,880 A * 6/1977 Hadtke A63B 69/0084
473/426
4,061,256 A * 12/1977 Beer A45C 11/00
2/170
4,730,646 A * 3/1988 Traub A63B 41/12
141/4
D335,263 S * 5/1993 Willis 273/DIG. 30
5,232,368 A * 8/1993 Morgia A63B 69/20
273/DIG. 30

- D523,109 S * 6/2006 Palmer, Jr. A01K 97/10
D22/147
- 7,169,069 B1 * 1/2007 Dalton A63B 69/0002
473/568
- 7,758,437 B1 * 7/2010 Stewart A63B 69/3608
473/212
- 2005/0014580 A1 * 1/2005 Silman A63B 69/0002
473/424
- 2005/0266942 A1 * 12/2005 Failla Colonnello Seppi
A63B 69/38
473/551
- 2007/0099731 A1 * 5/2007 Weber A63B 69/0002
473/450
- 2009/0298619 A1 * 12/2009 Tice A63B 69/0088
473/425
- 2012/0028738 A1 * 2/2012 Love A63B 71/141
473/438

(Continued)

Primary Examiner — Catherine Tuttle
(74) *Attorney, Agent, or Firm* — Dunlap Bennett & Ludwig PLLC

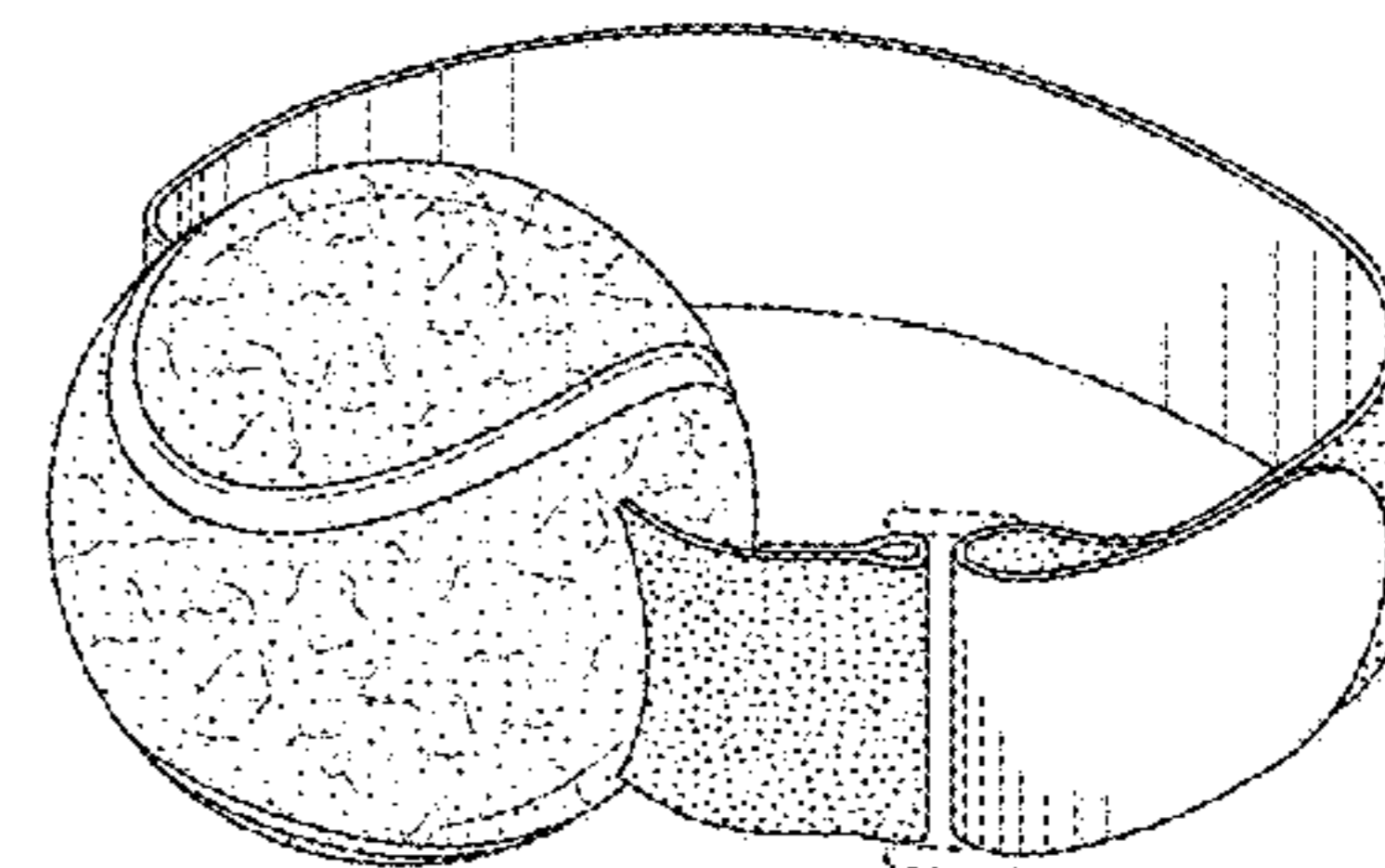
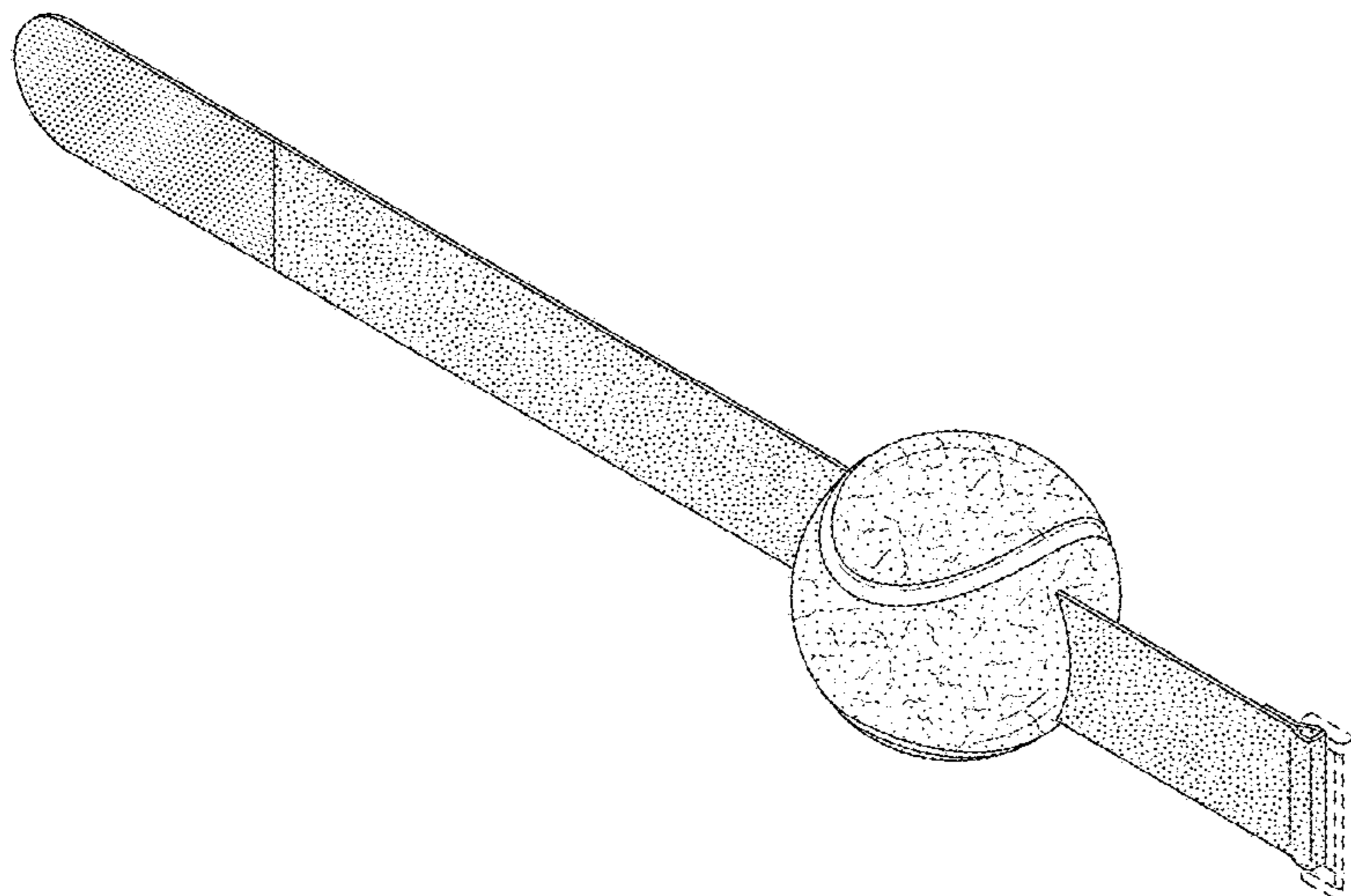
(57) **CLAIM**

The ornamental design for a swing trainer, as shown and described.

DESCRIPTION

FIG. 1 is a top front perspective view of the swing trainer embodying my new design;
FIG. 2 is a front elevation view thereof;
FIG. 3 is a rear elevation view thereof;
FIG. 4 is a top elevation view thereof;
FIG. 5 is a bottom elevation view thereof;
FIG. 6 is a right elevation view thereof;
FIG. 7 is a left elevation view thereof; and,
FIG. 8 is a top front perspective view shown with the strap in an alternate, looped position with the strap looped.
The broken lines shown in the drawings illustrate portions of the swing trainer that form no part of the claimed design.

1 Claim, 3 Drawing Sheets



(56)

References Cited

U.S. PATENT DOCUMENTS

2013/0072269 A1* 3/2013 Chen A63B 5/11
463/7
2013/0337927 A1* 12/2013 Buchanan A63B 69/0059
473/213
2015/0224382 A1* 8/2015 Hall A63B 69/0059
473/450
2017/0021263 A1* 1/2017 Kim A63B 69/38

* cited by examiner

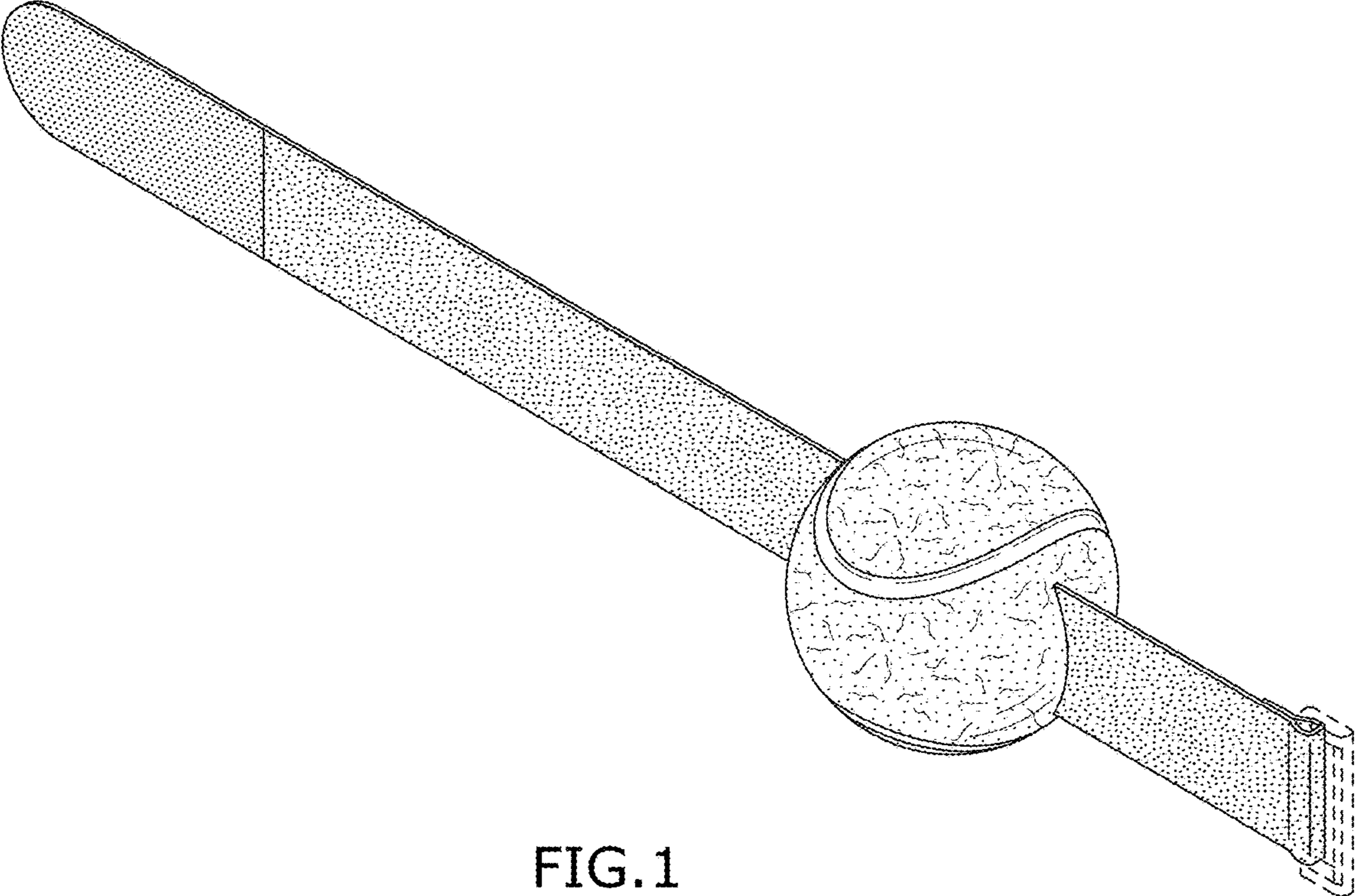


FIG. 1

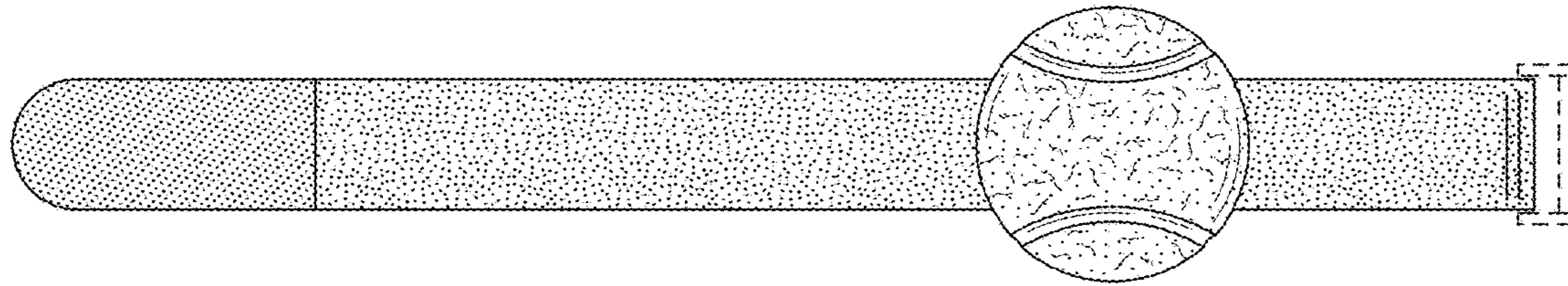


FIG. 2

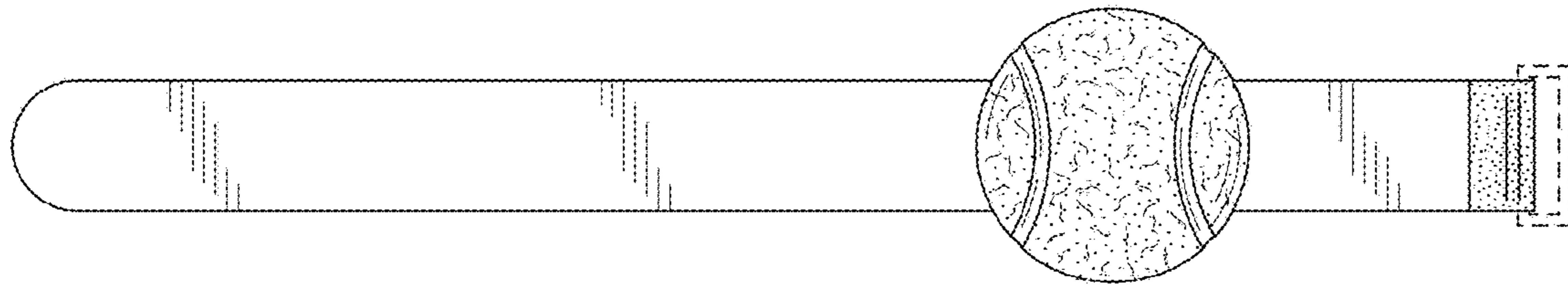


FIG. 3

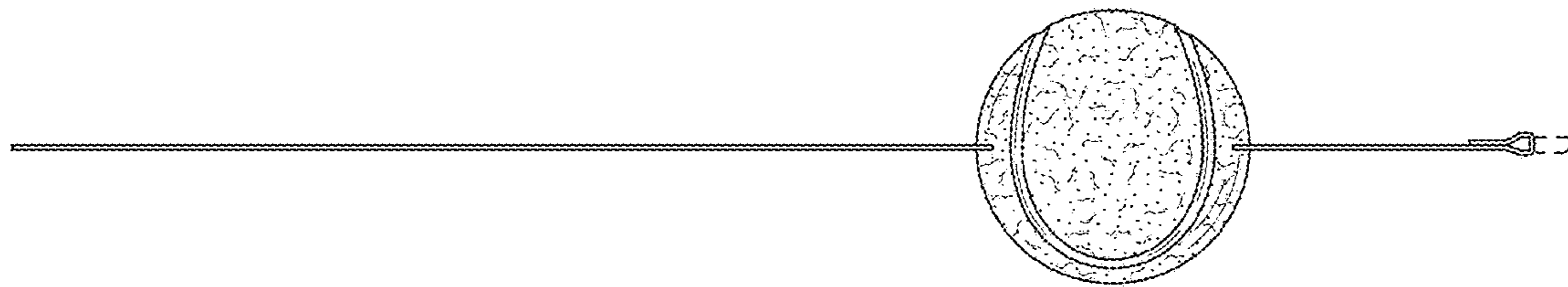


FIG. 4

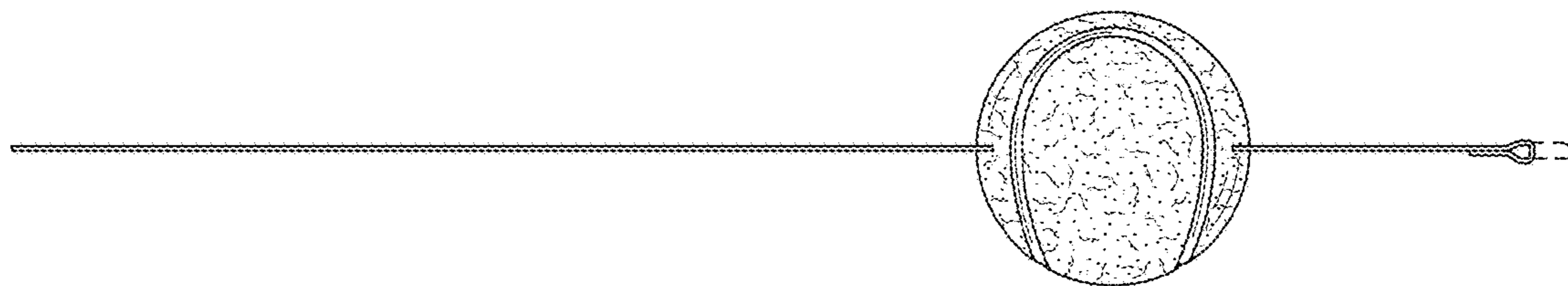


FIG. 5

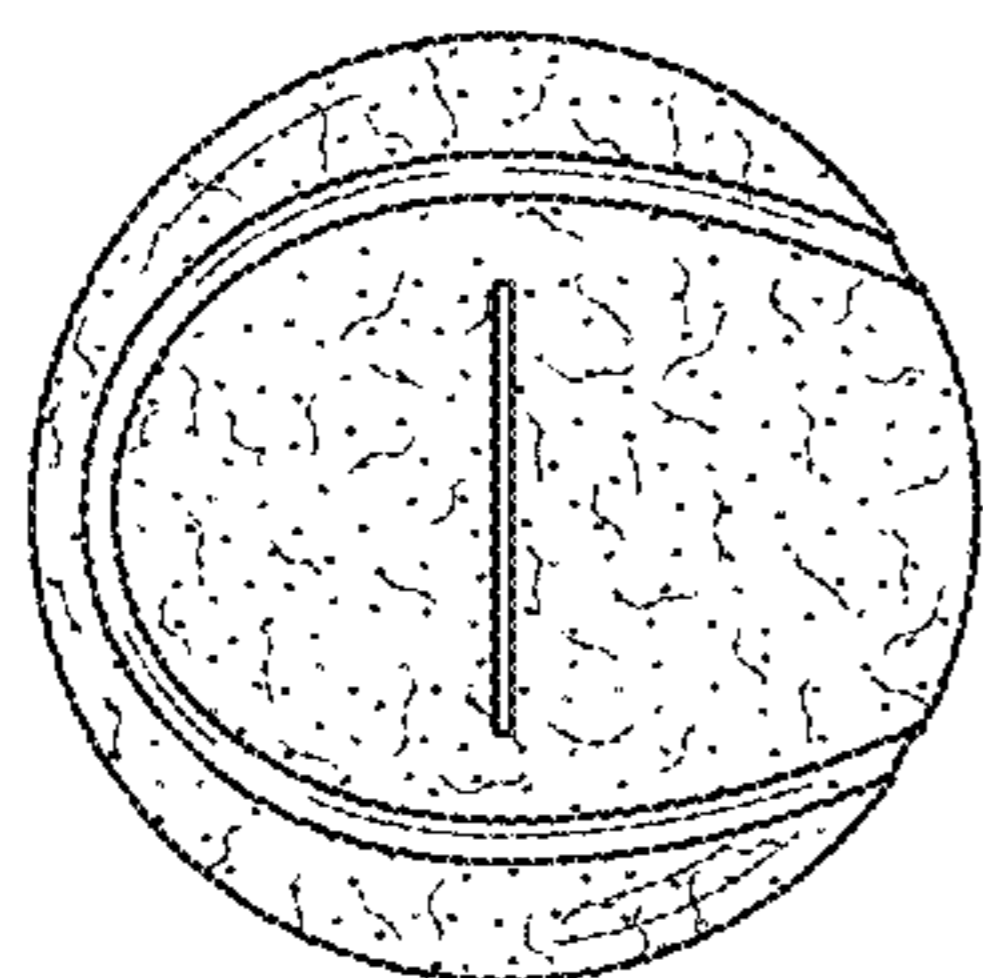


FIG. 6

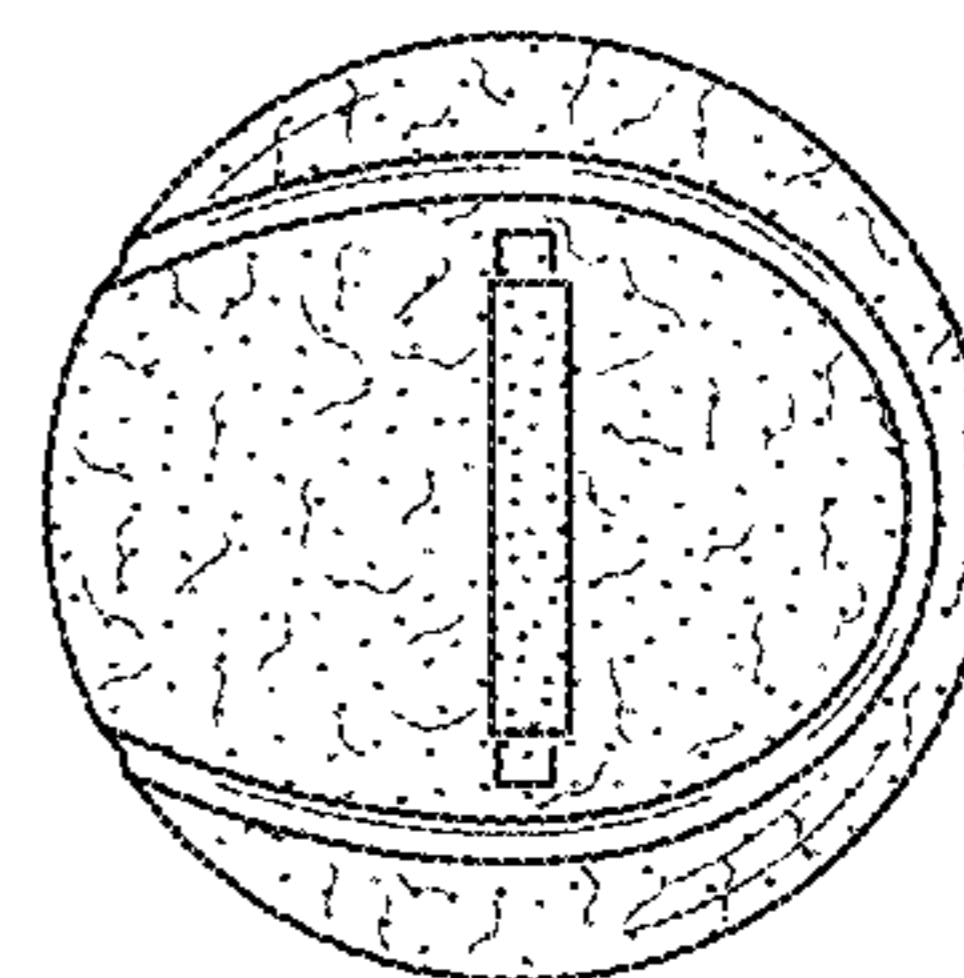


FIG. 7

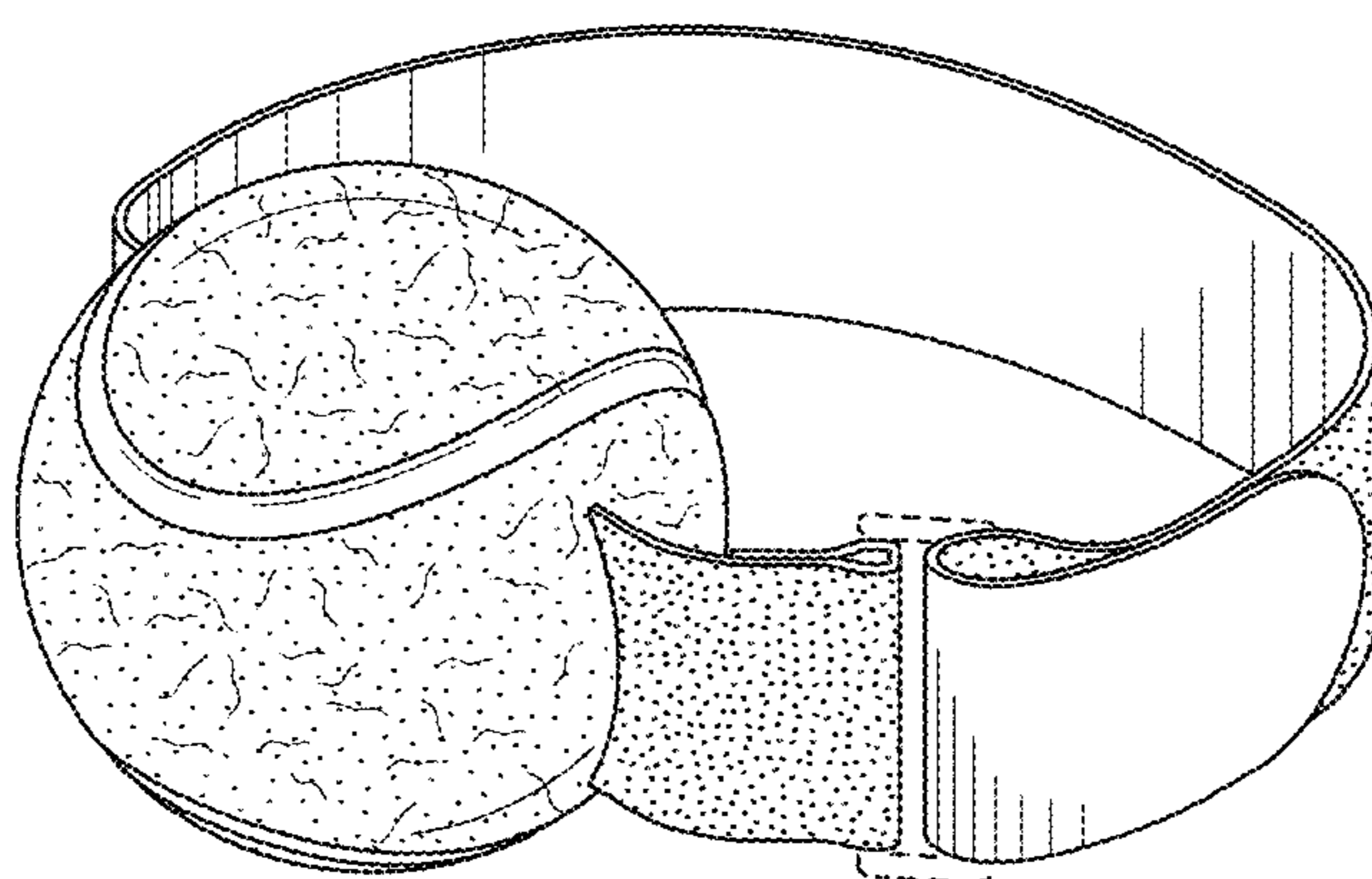


FIG. 8