



US00D794149S

(12) **United States Design Patent** (10) **Patent No.:** **US D794,149 S**
Thuma (45) **Date of Patent:** **** Aug. 8, 2017**

- (54) **BALL CLEANER**
- (71) Applicant: **Daniel Thuma**, LaGrange, IL (US)
- (72) Inventor: **Daniel Thuma**, LaGrange, IL (US)
- (**) Term: **15 Years**
- (21) Appl. No.: **29/544,444**
- (22) Filed: **Nov. 3, 2015**
- (51) **LOC (10) Cl.** **21-02**
- (52) **U.S. Cl.**
USPC **D21/795**
- (58) **Field of Classification Search**
USPC D21/789, 793-796; D4/118, 124
CPC A63B 2047/043; A63B 2047/046; A63B
47/04; A63B 37/0003
See application file for complete search history.

- (56) **References Cited**
U.S. PATENT DOCUMENTS
1,614,914 A * 1/1927 Boeckh A63B 47/04
15/160
1,639,740 A * 8/1927 Lawler A63B 47/04
15/160
3,378,873 A * 4/1968 Strout A63B 47/04
15/104.92
D233,361 S * 10/1974 Norden et al. D21/795

- D371,413 S * 7/1996 Crausby D21/795
- D387,117 S * 12/1997 Danyluk D21/795
- 5,829,086 A * 11/1998 Billek A63B 47/04
15/104.92
- D480,776 S * 10/2003 Faulk D21/789
- D533,248 S * 12/2006 Robinson D21/789
- D572,333 S * 7/2008 Heap D21/795

* cited by examiner

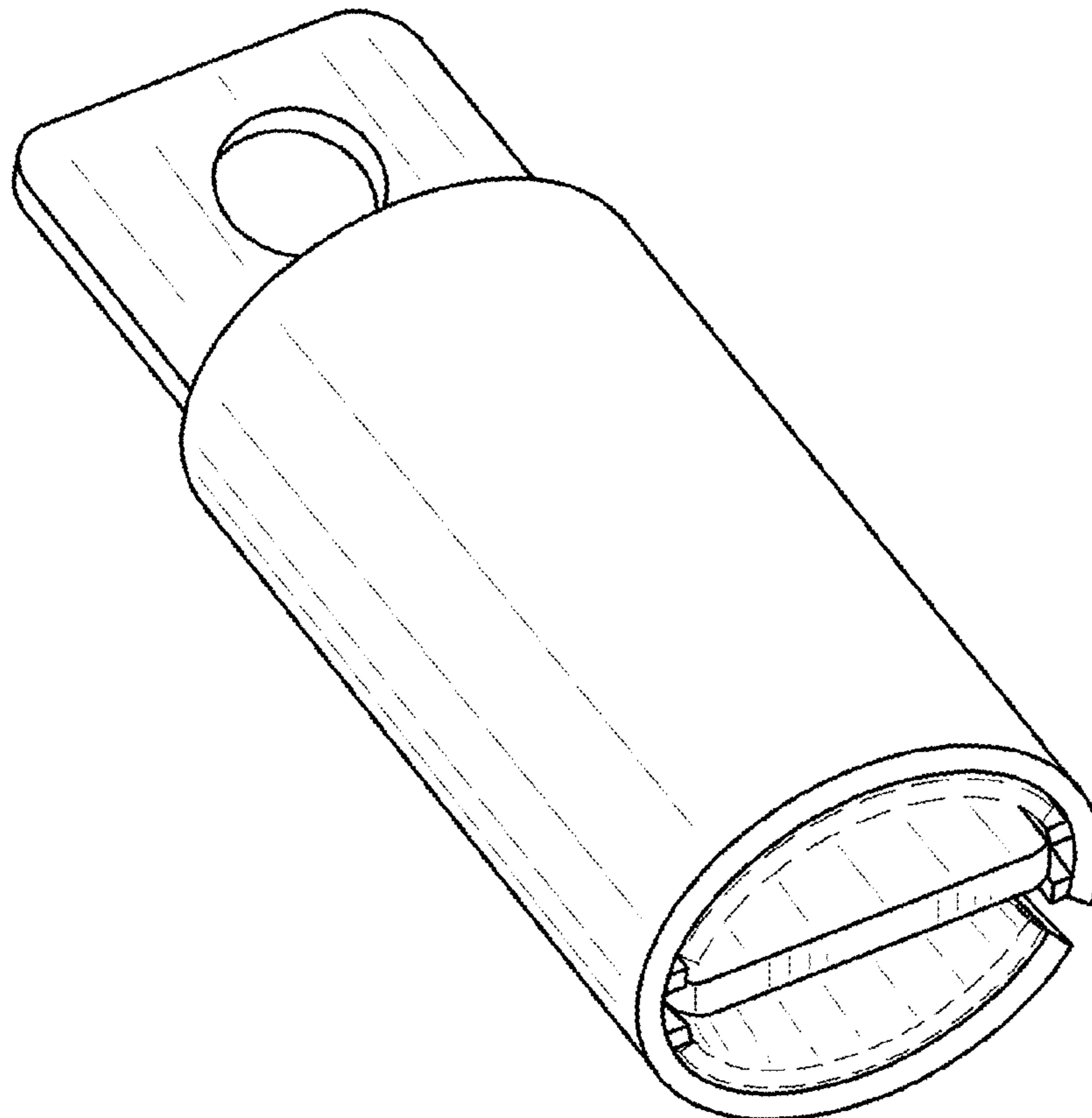
Primary Examiner — Michael A. Pratt
Assistant Examiner — Michelle E Wilson
(74) *Attorney, Agent, or Firm* — Clifford H. Kraft

(57) **CLAIM**
The ornamental design for a ball cleaner, as shown and described.

DESCRIPTION

FIG. 1 is a perspective view showing my new design for a ball cleaner.
FIG. 2 is a front view thereof.
FIG. 3 is a back view thereof.
FIG. 4 is a right side view thereof.
FIG. 5 is a left side view thereof.
FIG. 6 is a top view thereof; and,
FIG. 7 is a bottom view thereof.
The broken line shown on the bottom edge of the ball cleaner in FIGS. 1, 6, and 7 form no part of the claimed design.

1 Claim, 3 Drawing Sheets



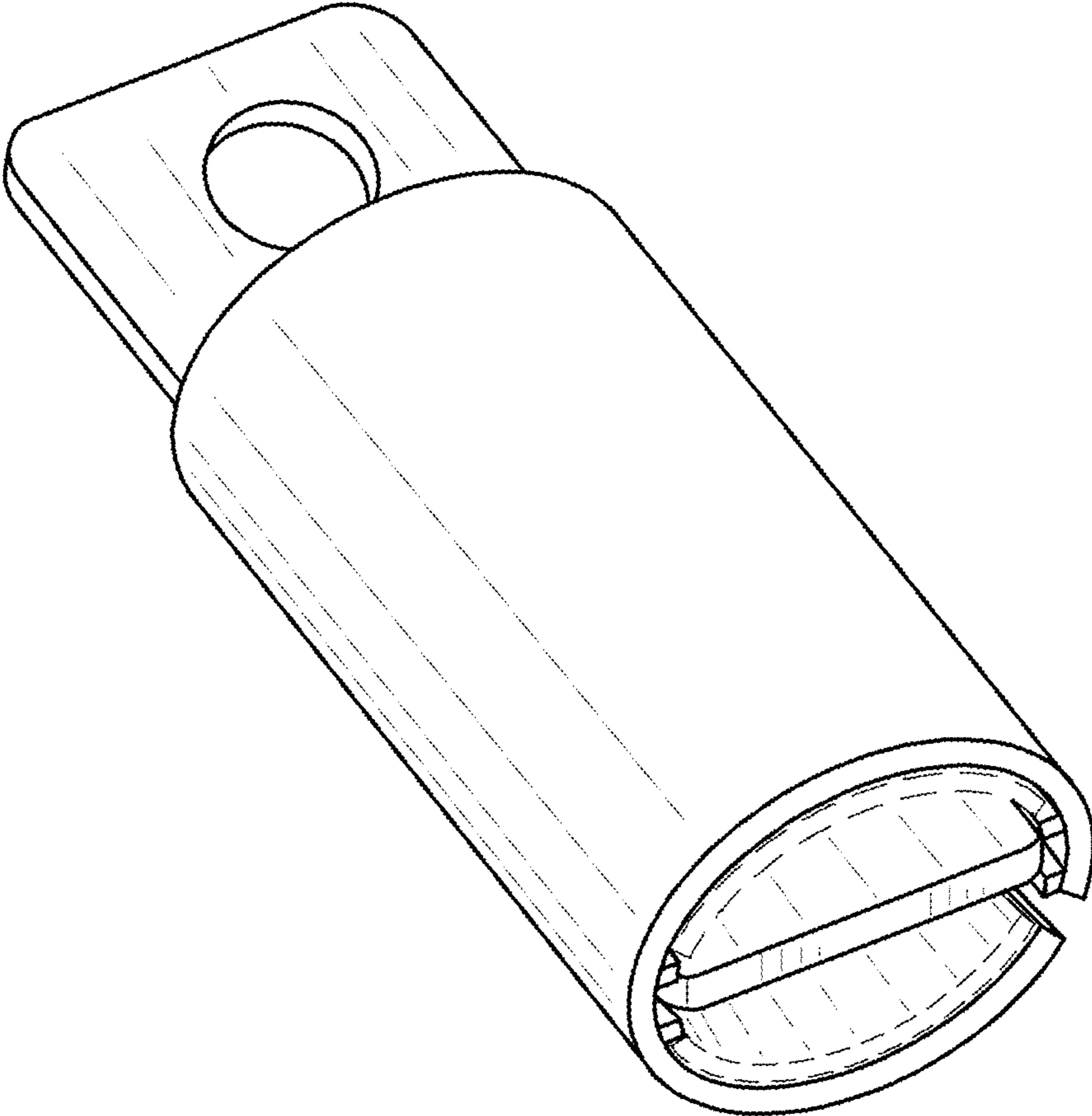


FIG. 1

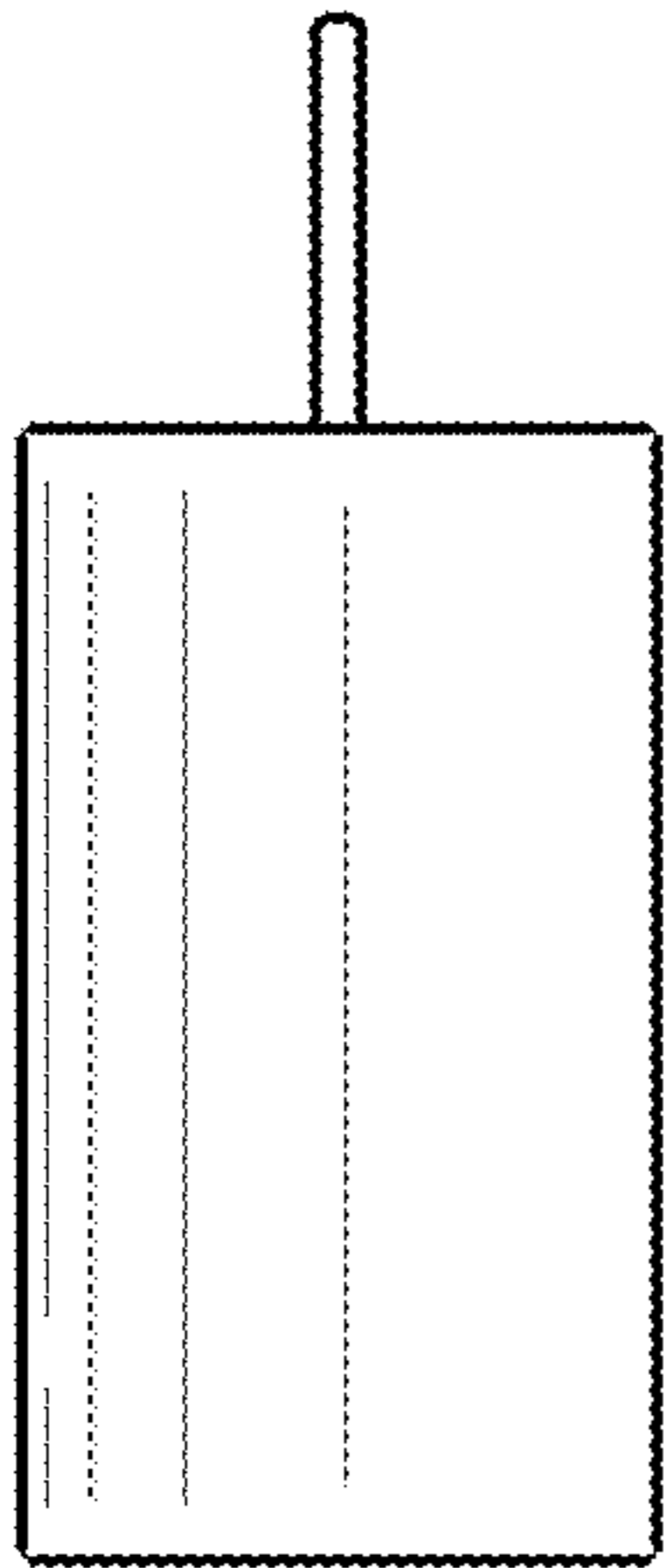


FIG. 4

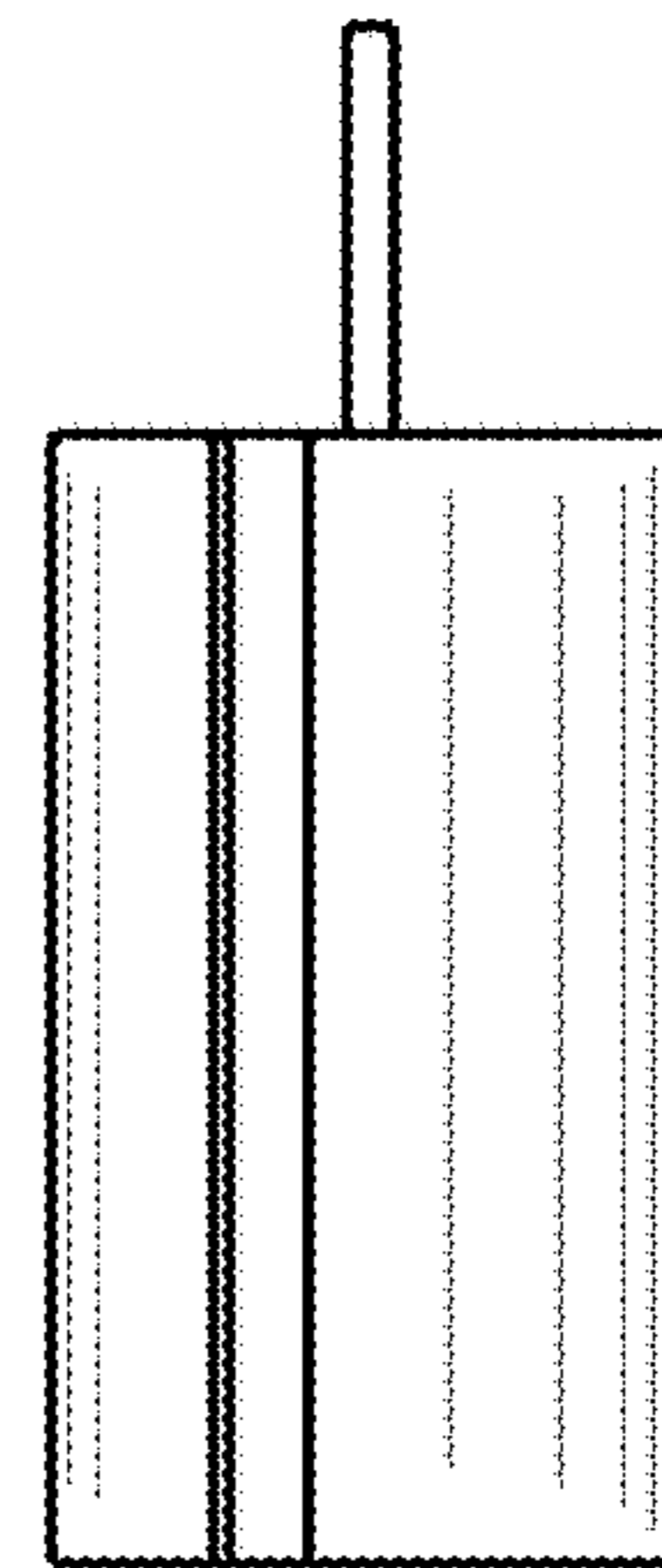


FIG. 5

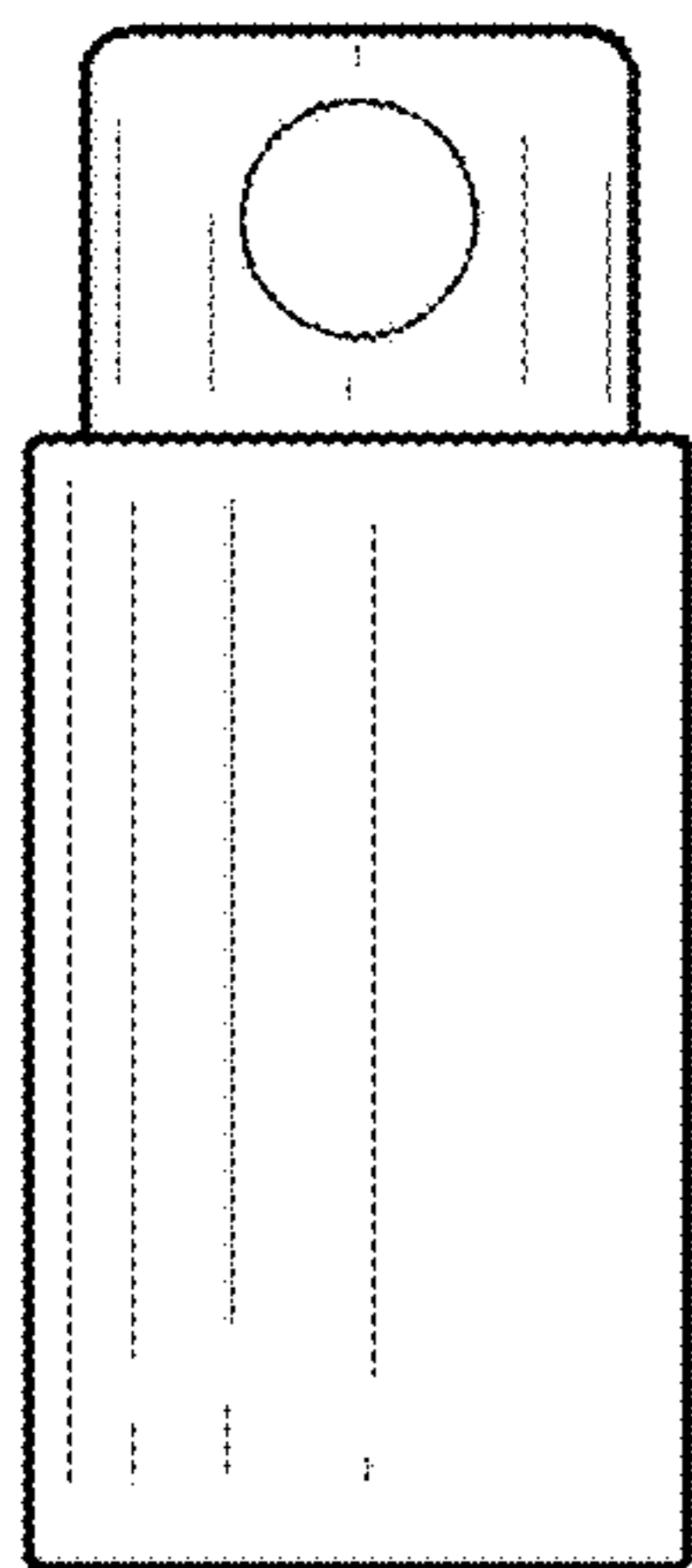


FIG. 2

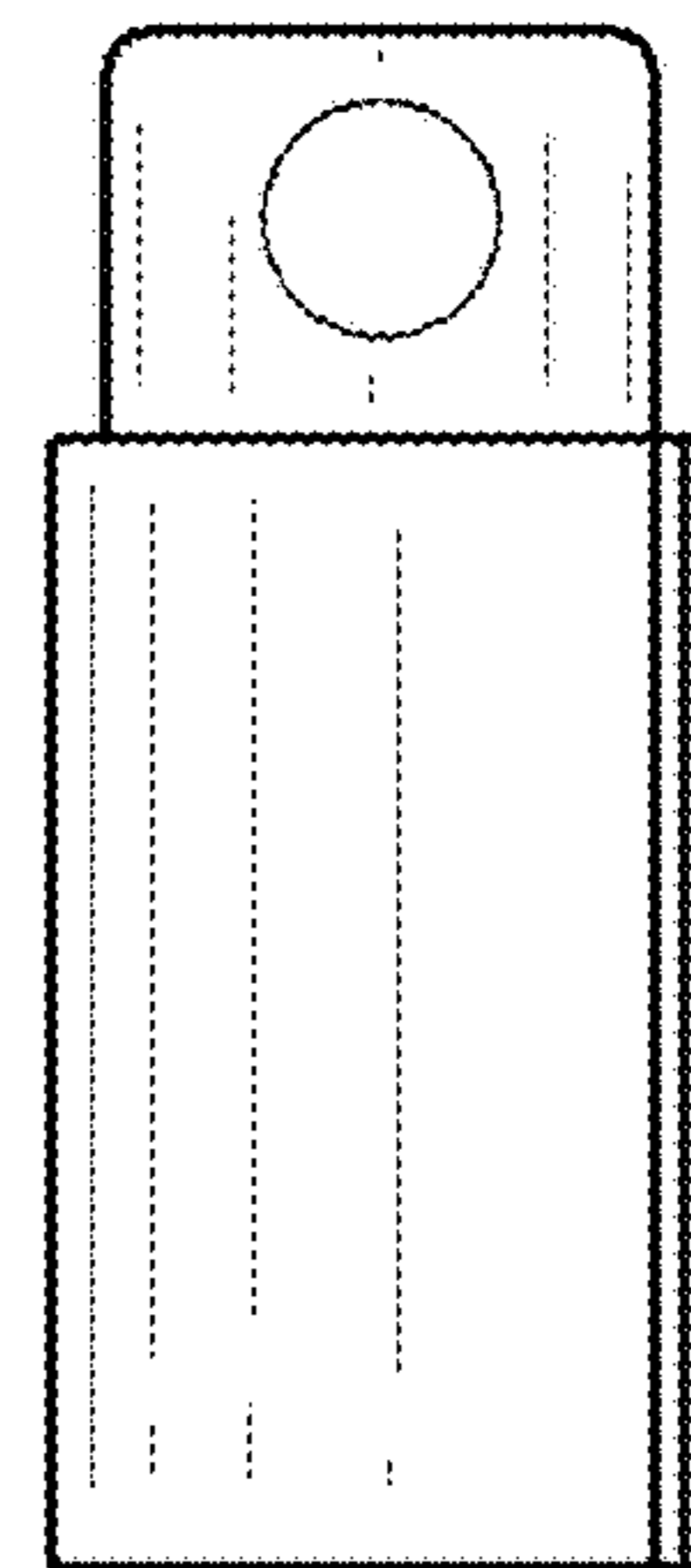


FIG. 3

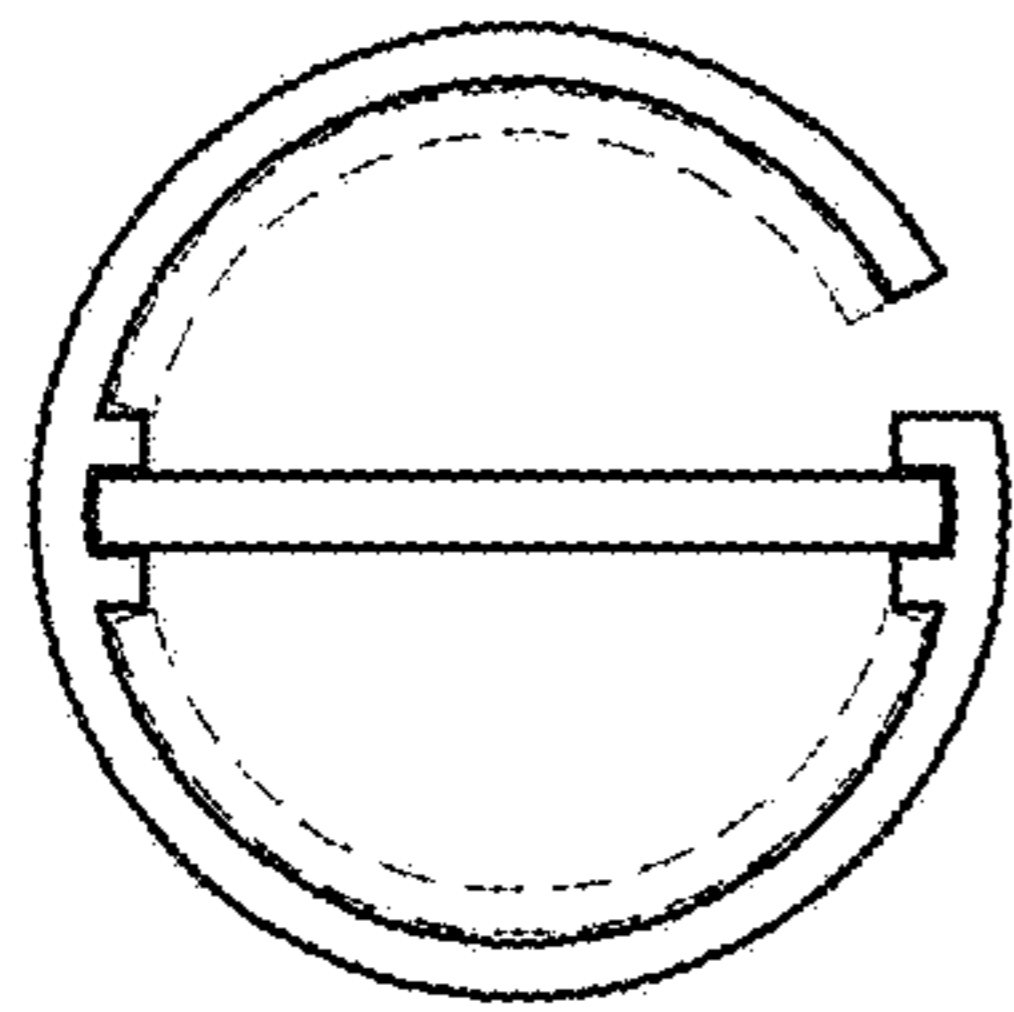


FIG. 6

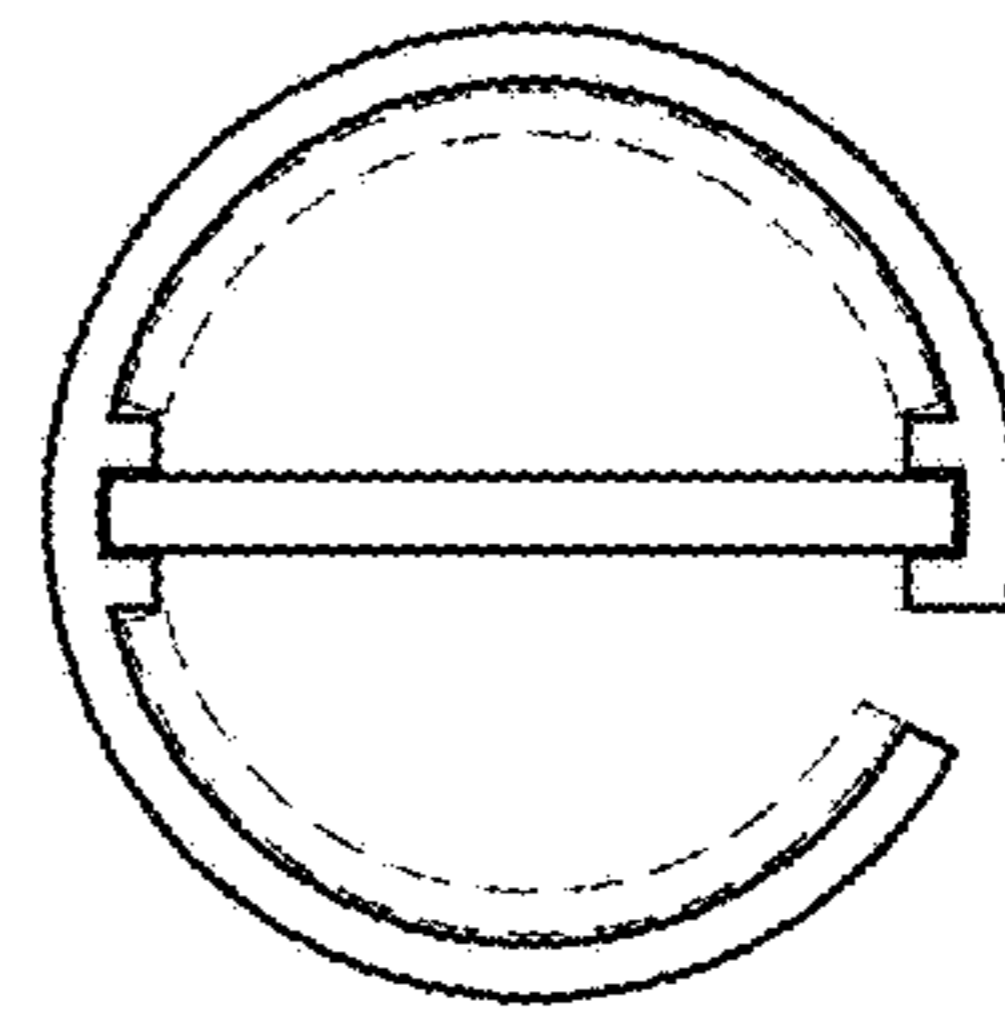


FIG. 7