



US00D794147S

(12) **United States Design Patent**
Davis et al.

(10) **Patent No.:** **US D794,147 S**

(45) **Date of Patent:** **** Aug. 8, 2017**

(54) **GOLF PUTTER GRIP**

(71) Applicant: **Eaton Corporation**, Cleveland, OH
(US)

(72) Inventors: **Stephen James Davis**, Pinehurst, NC
(US); **Bruce Miller**, Pinehurst, NC
(US); **Brandon Sowell**, Pinehurst, NC
(US); **Craig Barez**, Temecula, CA
(US); **Vince Jacobson**, Temecula, CA
(US)

(73) Assignee: **EATON CORPORATION**, Cleveland,
OH (US)

(**) Term: **15 Years**

(21) Appl. No.: **29/563,211**

(22) Filed: **May 3, 2016**

(51) **LOC (10) Cl.** **21-02**

(52) **U.S. Cl.**
USPC **D21/756**

(58) **Field of Classification Search**
USPC D21/756-758, 753
CPC A63B 60/06-60/34; A63B 53/14; A63B
60/46

See application file for complete search history.

(56) **References Cited**

U.S. PATENT DOCUMENTS

D379,394 S *	5/1997	Fortis	D21/756
D431,851 S *	10/2000	Anderson	D21/756
D512,758 S *	12/2005	Tuerschmann	D21/756
D524,390 S *	7/2006	Tuerschmann	D21/756
D534,603 S *	1/2007	Norton	D21/756
D534,604 S *	1/2007	Norton	D21/756
D534,606 S *	1/2007	Norton	D21/756
D534,607 S *	1/2007	Norton	D21/756
D534,975 S *	1/2007	Norton	D21/756

D538,868 S *	3/2007	Norton	D21/756
D545,388 S *	6/2007	Chen	D21/756
D548,808 S *	8/2007	Chen	D21/756
D554,724 S *	11/2007	Savasky	D21/756
D556,847 S *	12/2007	DeVaney	D21/756
D562,923 S *	2/2008	DeVaney	D21/756
D562,924 S *	2/2008	DeVaney	D21/756
D564,610 S *	3/2008	Chen	D21/756
D576,240 S *	9/2008	Chen	D21/756
D576,241 S *	9/2008	Chen	D21/756
D592,262 S *	5/2009	Devaney	D21/756
D592,263 S *	5/2009	Devaney	D21/756
D592,264 S *	5/2009	Devaney	D21/756

(Continued)

Primary Examiner — Mitchell Siegel

(74) *Attorney, Agent, or Firm* — Daniel S. Kalka

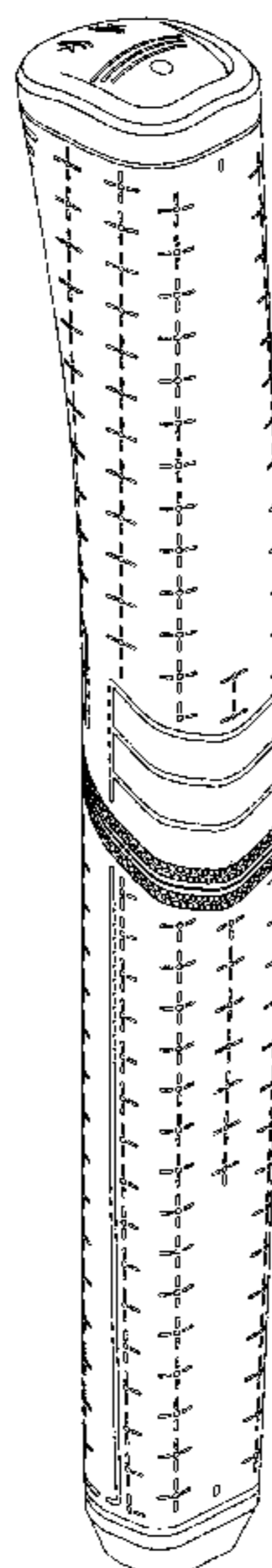
(57) **CLAIM**

The ornamental design for a golf putter grip, substantially as shown and described.

DESCRIPTION

FIG. 1 is a top front perspective view of the golf putter grip; FIG. 2 is a top rear perspective view of the golf putter grip; FIG. 3 is a frontal view of the golf putter grip; FIG. 4 is a rear view of the golf putter grip; FIG. 5 is a right side view of the golf putter grip; FIG. 6 is a left side view of the golf putter grip; FIG. 7 is a top view of the golf putter grip; FIG. 8 is a top front perspective view of a second embodiment of the golf putter grip; FIG. 9 is a top rear perspective view of the golf putter grip of FIG. 8; FIG. 10 is a frontal view of the golf putter grip of FIG. 8; FIG. 11 is a rear view of the golf putter grip of FIG. 8; FIG. 12 is a right side view of the golf putter grip of fig.; FIG. 13 is a left side of the golf putter grip of FIG. 8; and, FIG. 14 is a top view of the golf putter grip of FIG. 8.

1 Claim, 6 Drawing Sheets



(56)

References Cited

U.S. PATENT DOCUMENTS

D592,265	S	*	5/2009	Devaney	D21/756
D592,267	S	*	5/2009	Devaney	D21/756
D595,379	S	*	6/2009	Devaney	D21/756
D595,796	S	*	7/2009	Devaney	D21/756
D597,622	S	*	8/2009	Devaney	D21/756
D733,236	S	*	6/2015	Serrano	D21/756

* cited by examiner

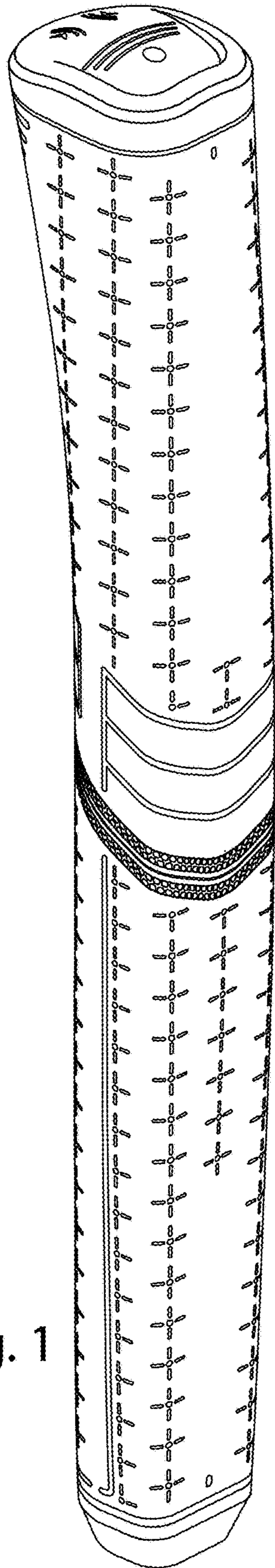


Fig. 1

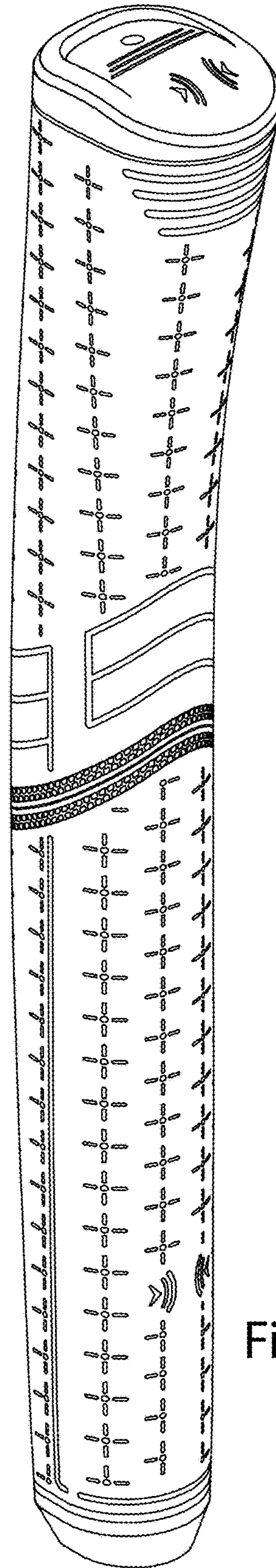


Fig. 2

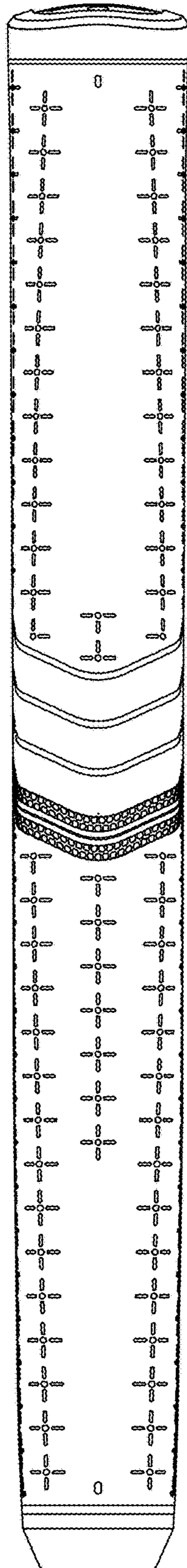


Fig. 3

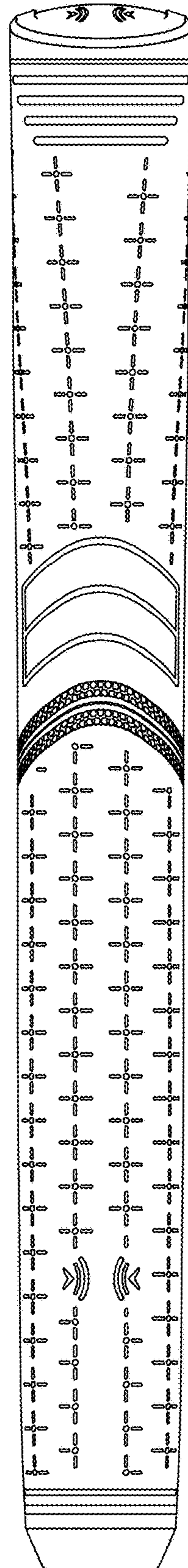


Fig. 4

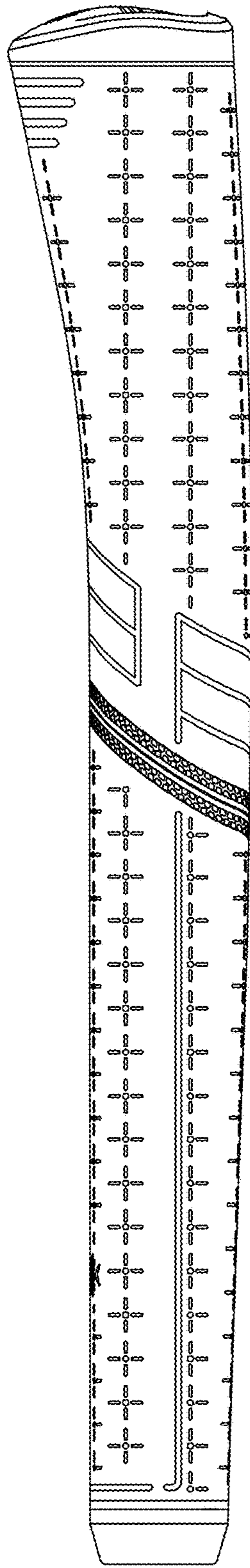


Fig. 5

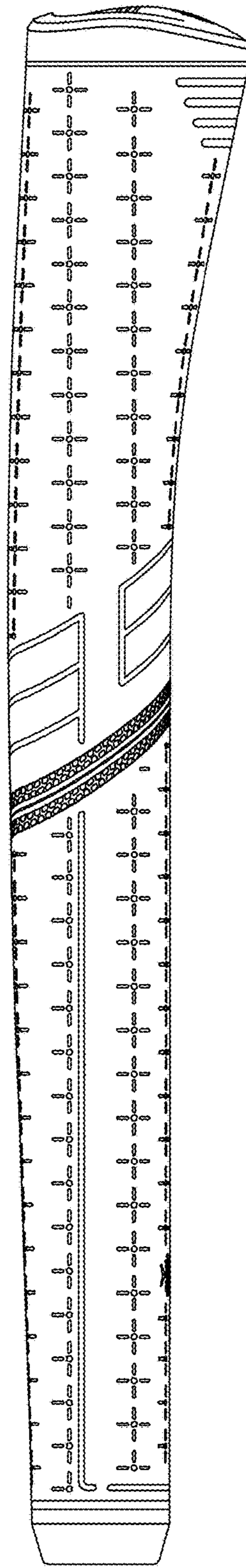


Fig. 6

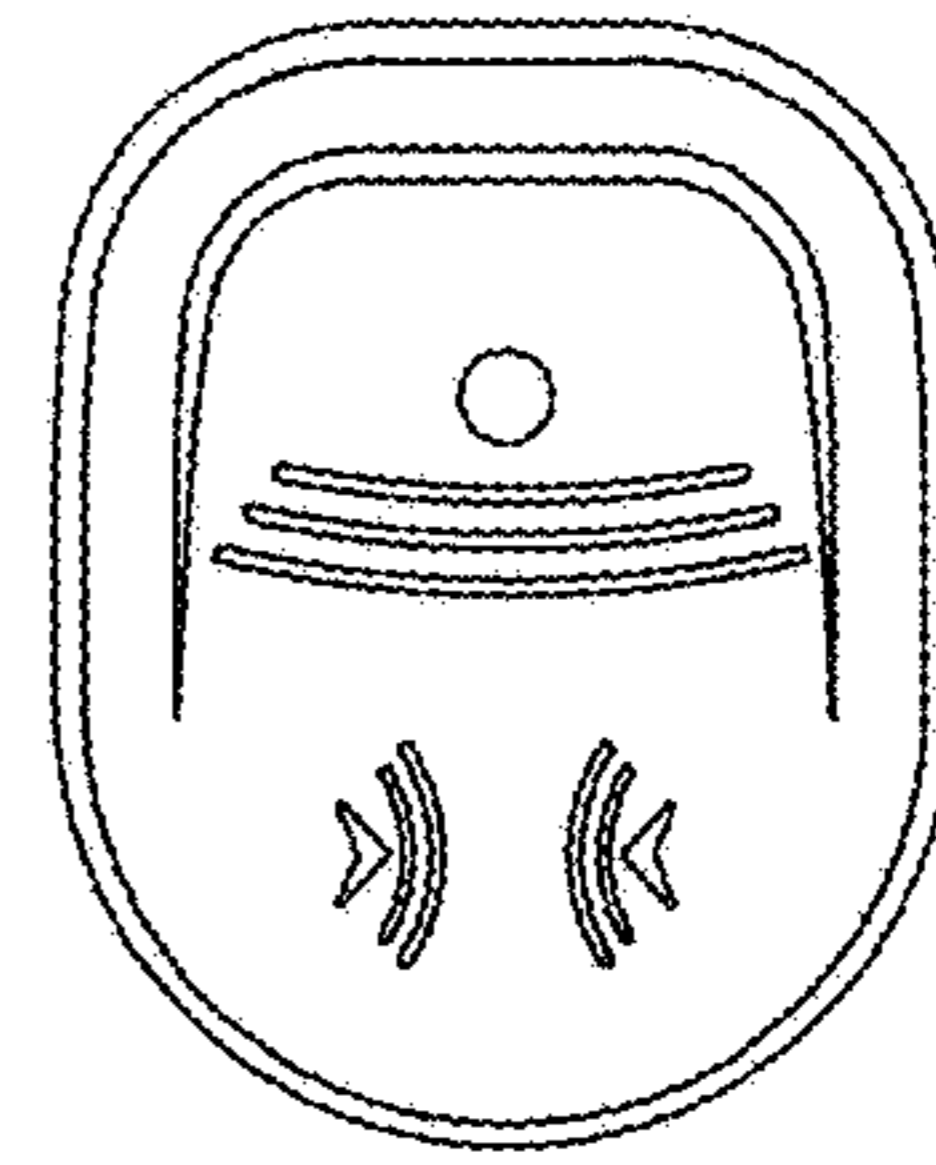


Fig. 7

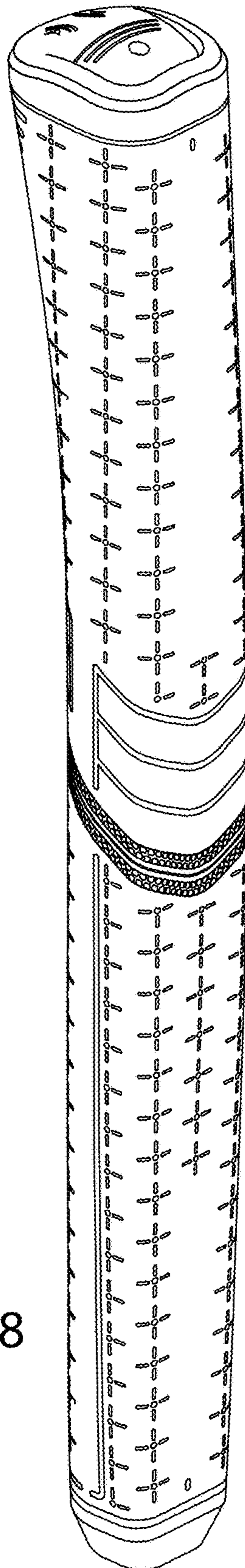


Fig. 8

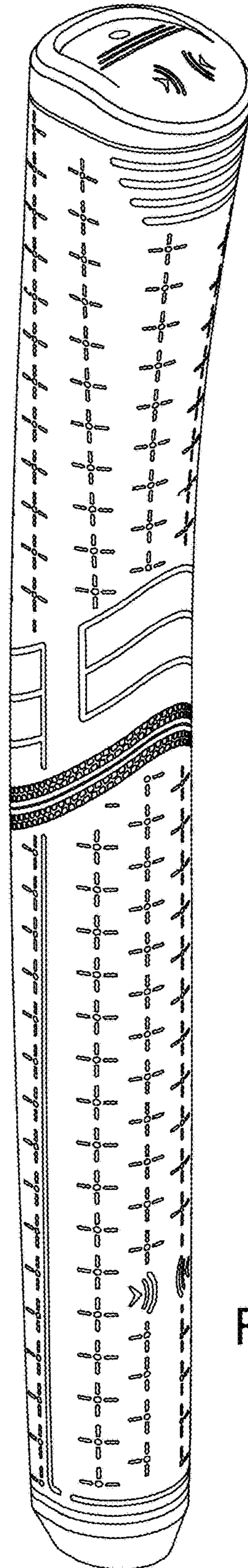


Fig. 9

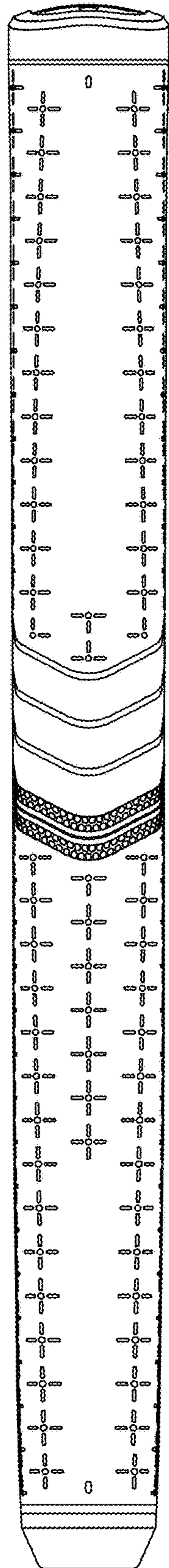


Fig. 10

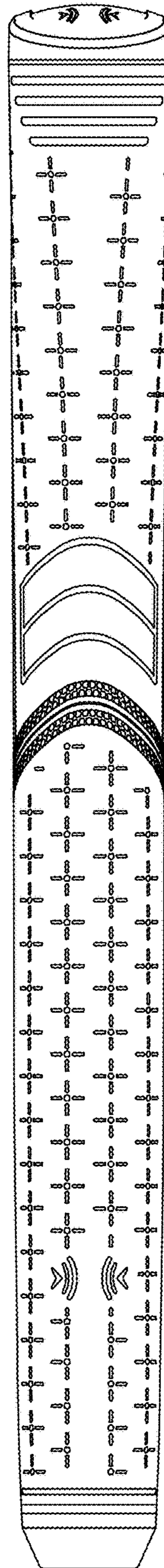


Fig. 11

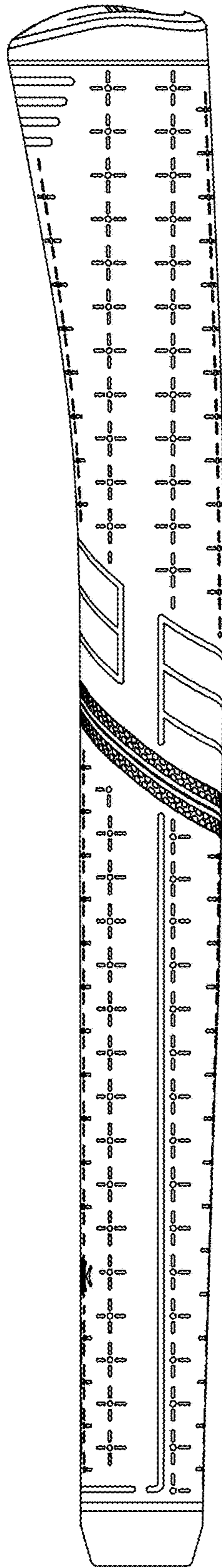


Fig. 12

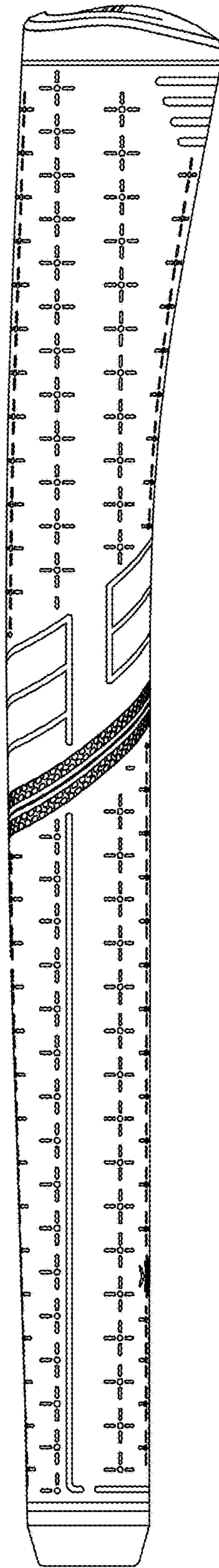


Fig. 13

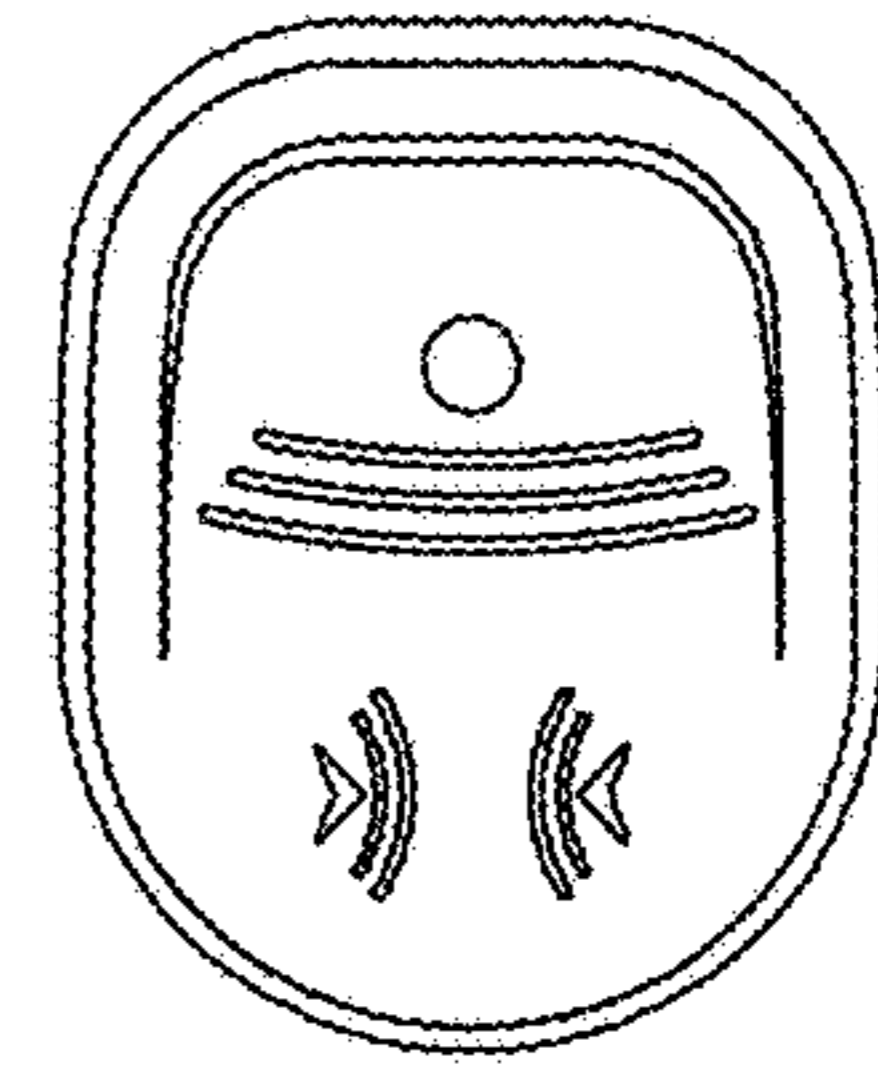


Fig. 14