



US00D794146S

(12) **United States Design Patent** (10) **Patent No.:** **US D794,146 S**  
**Davis** (45) **Date of Patent:** **\*\* Aug. 8, 2017**

(54) **GOLF PUTTER HEAD**

(71) Applicant: **Veritas Golf, LLC**, Flagler Beach, FL (US)

(72) Inventor: **Steven R. Davis**, Flagler Beach, FL (US)

(73) Assignee: **VERITAS GOLF LLC**, Flagler Beach, FL (US)

5,489,097 A *	2/1996	Simmons	.....	A63B 53/0487	473/326
D437,374 S *	2/2001	Cameron	.....	D21/759	
D446,562 S *	8/2001	Forzano	.....	D21/736	
D512,116 S *	11/2005	Miraflor	.....	D21/759	
D599,867 S *	9/2009	Teramoto	.....	D21/736	
D600,763 S *	9/2009	Cameron	.....	D21/759	
D607,951 S *	1/2010	Teramoto	.....	D21/736	
D633,964 S *	3/2011	Teramoto	.....	D21/743	
D655,361 S *	3/2012	Ramsauer	.....	D21/743	
D661,753 S *	6/2012	Cameron	.....	D21/759	
D752,697 S *	3/2016	Claveran	.....	D21/736	

(\*\*) Term: **15 Years**

\* cited by examiner

(21) Appl. No.: **29/563,487**

*Primary Examiner* — Mitchell Siegel

(22) Filed: **May 5, 2016**

(74) *Attorney, Agent, or Firm* — Sven W. Hanson

(51) **LOC (10) Cl.** ..... **21-02**

(57) **CLAIM**

(52) **U.S. Cl.**  
USPC ..... **D21/736**

The ornamental design for a golf putter head, as shown and described.

(58) **Field of Classification Search**  
USPC ..... D21/736-746  
CPC ... A63B 53/065; A63B 53/0487; A63B 53/00;  
A63B 53/007; A63B 53/04  
See application file for complete search history.

**DESCRIPTION**

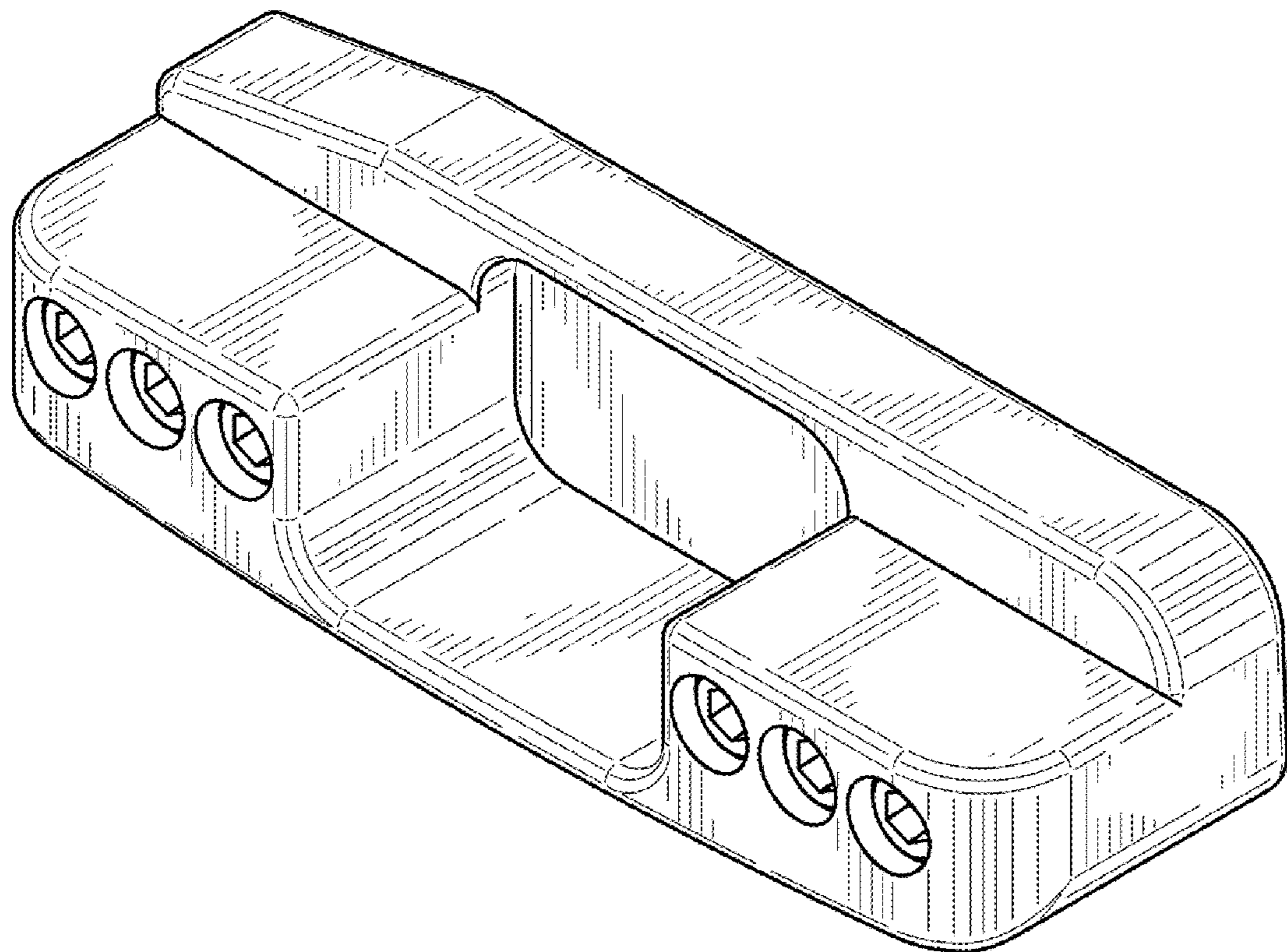
FIG. 1 is a perspective view of a golf putter head illustrating the new design.  
 FIG. 2 is a front elevation view thereof.  
 FIG. 3 is a back elevation view thereof.  
 FIG. 4 is a right side elevation view thereof.  
 FIG. 5 is a left side elevation view thereof.  
 FIG. 6 is a top plan view thereof; and,  
 FIG. 7 is bottom plan view thereof.

(56) **References Cited**

U.S. PATENT DOCUMENTS

D248,783 S *	8/1978	Long	.....	473/345
D313,451 S *	1/1991	Shearer	.....	D21/743
5,390,919 A *	2/1995	Stubbs	.....	A63B 53/065
				473/246

**1 Claim, 2 Drawing Sheets**



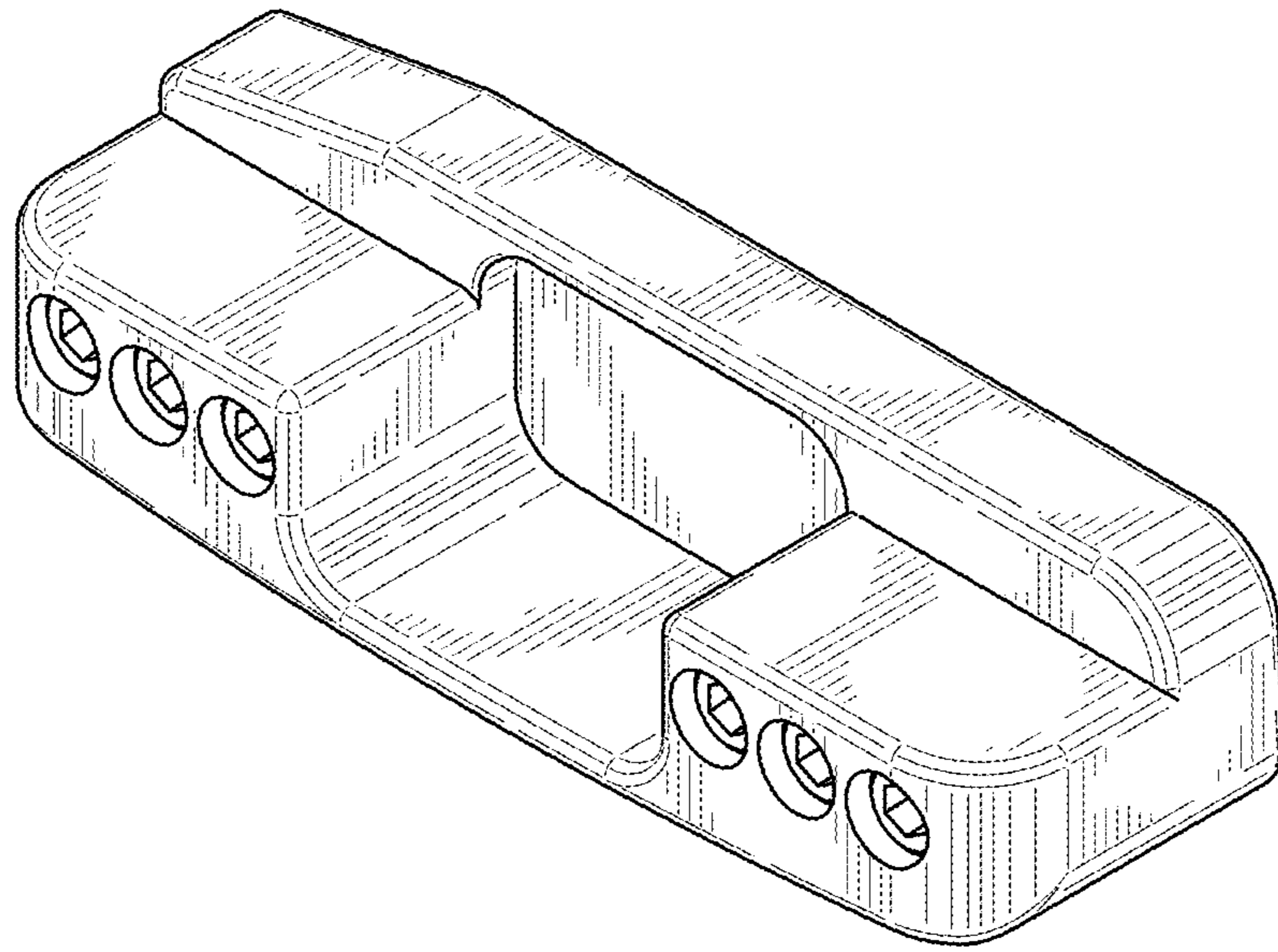


FIG. 1

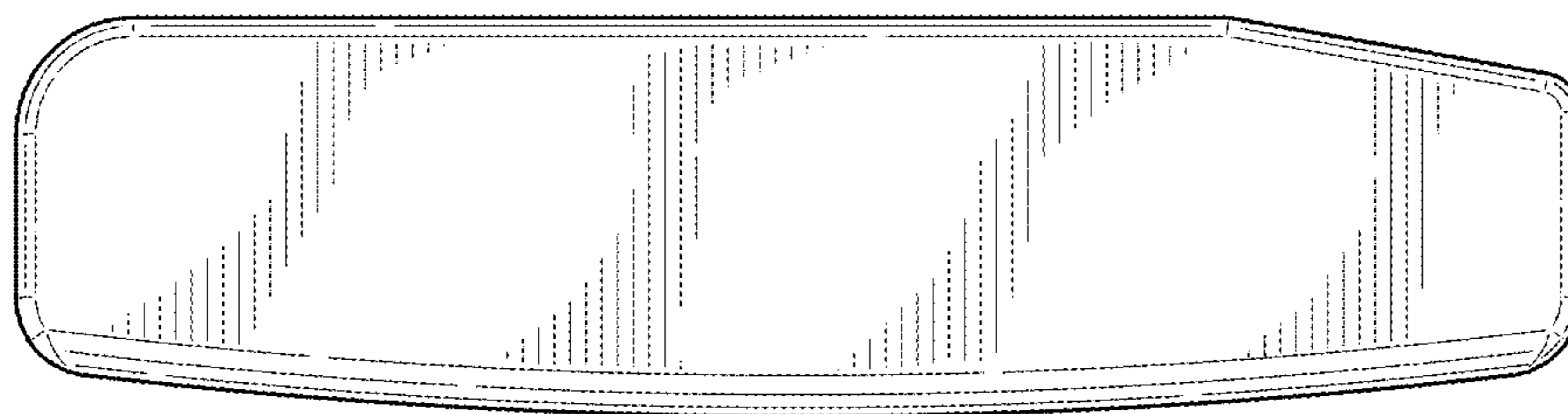


FIG. 2

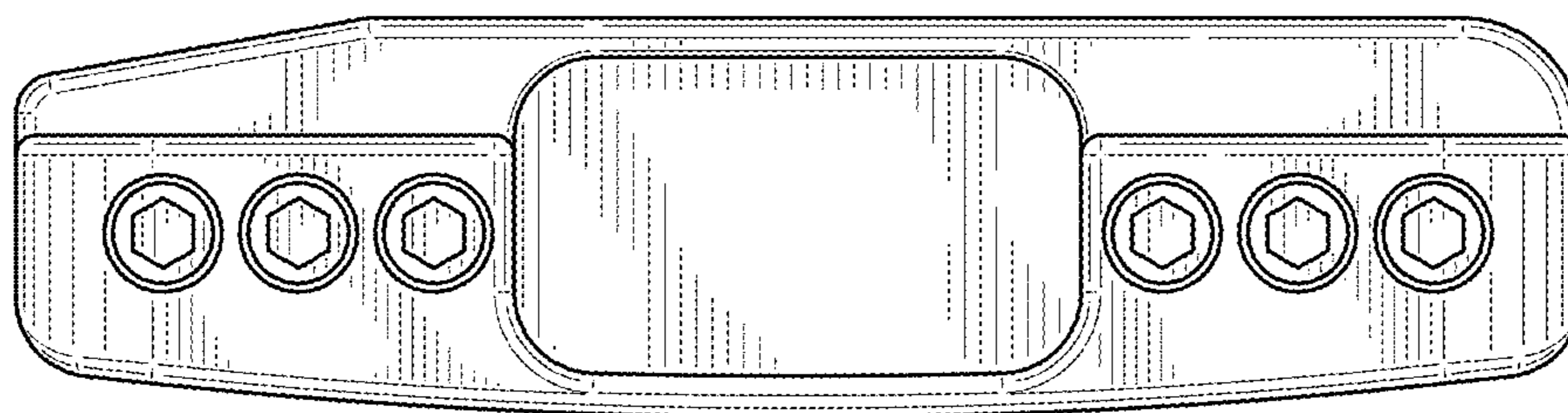


FIG. 3

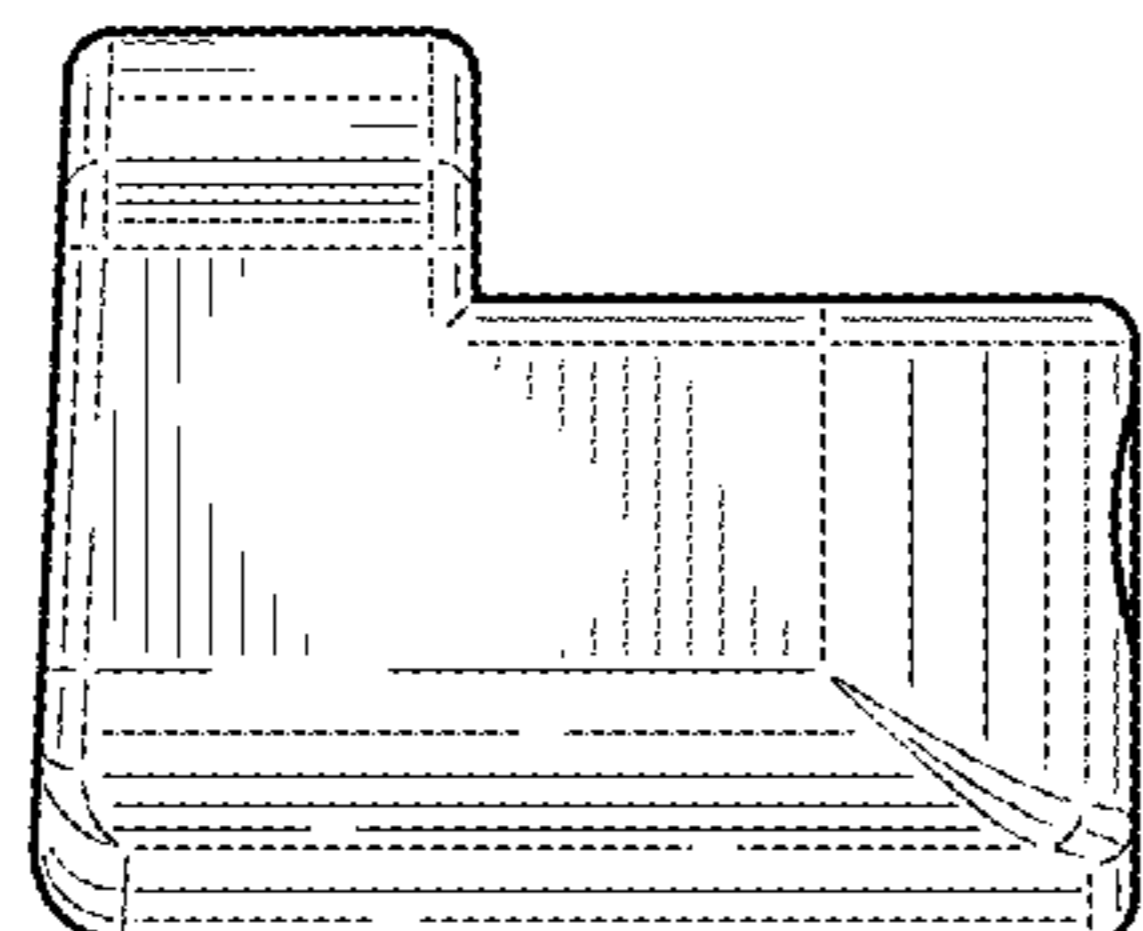


FIG. 4

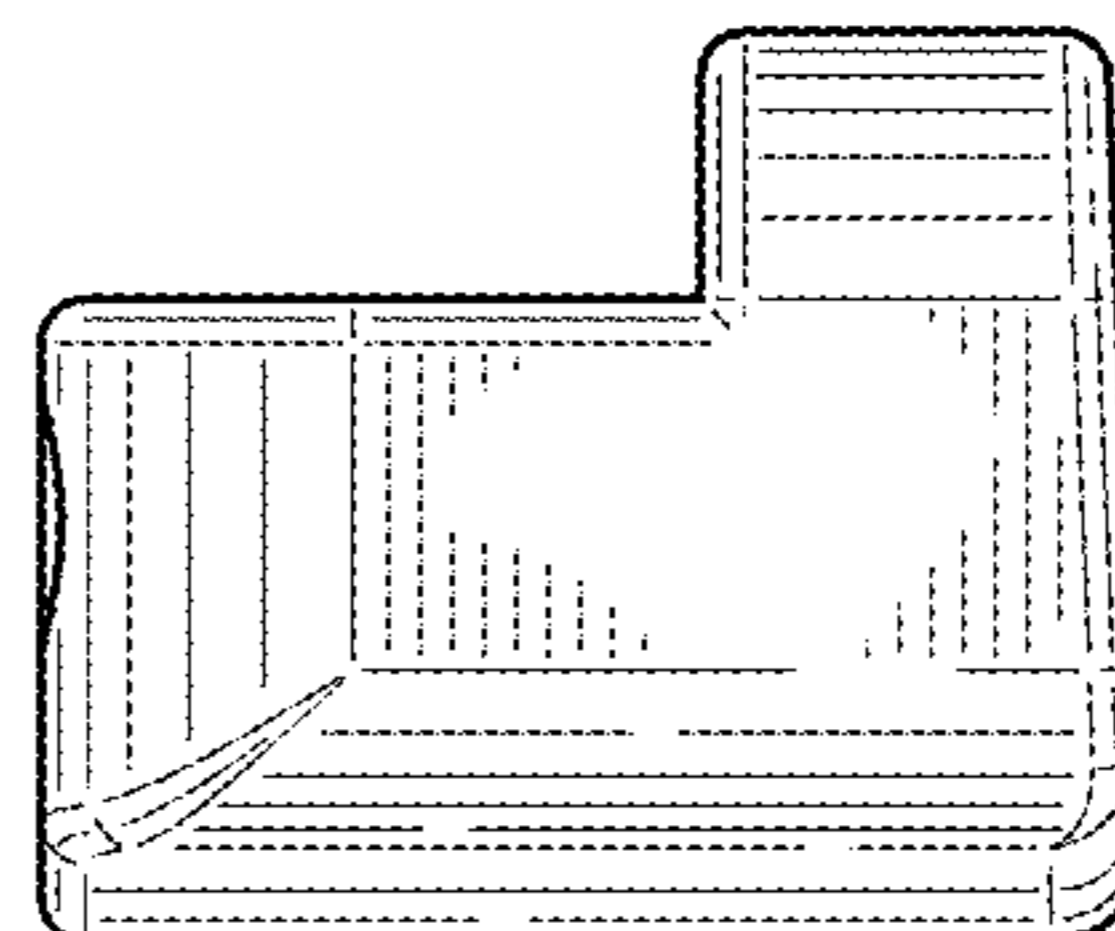


FIG. 5

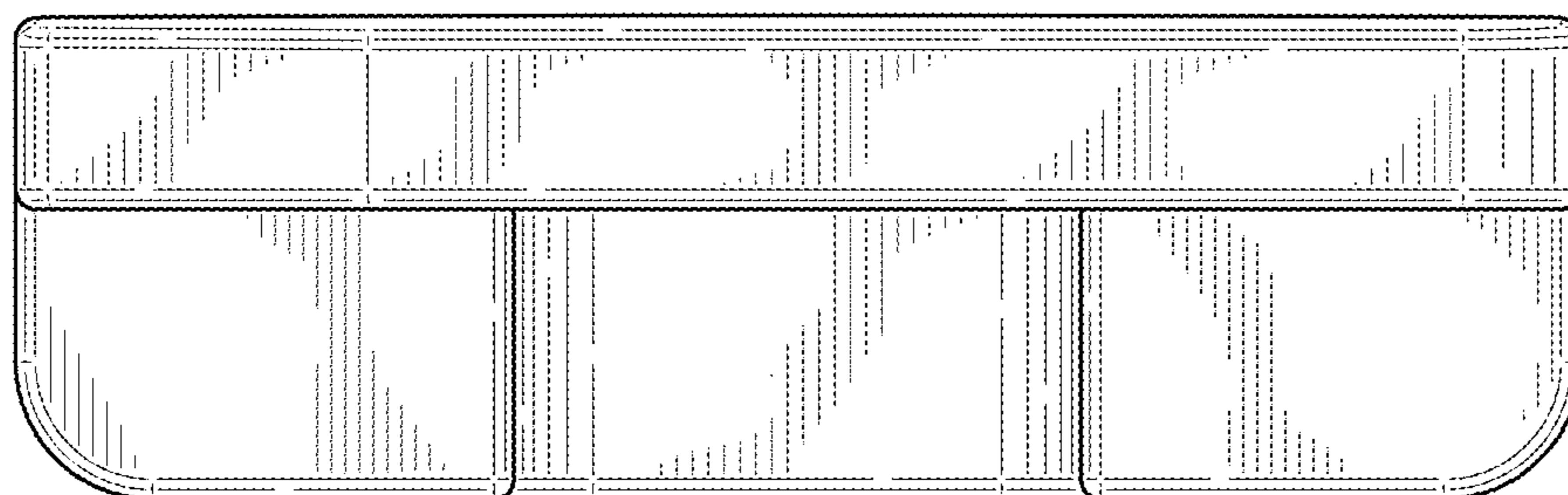


FIG. 6

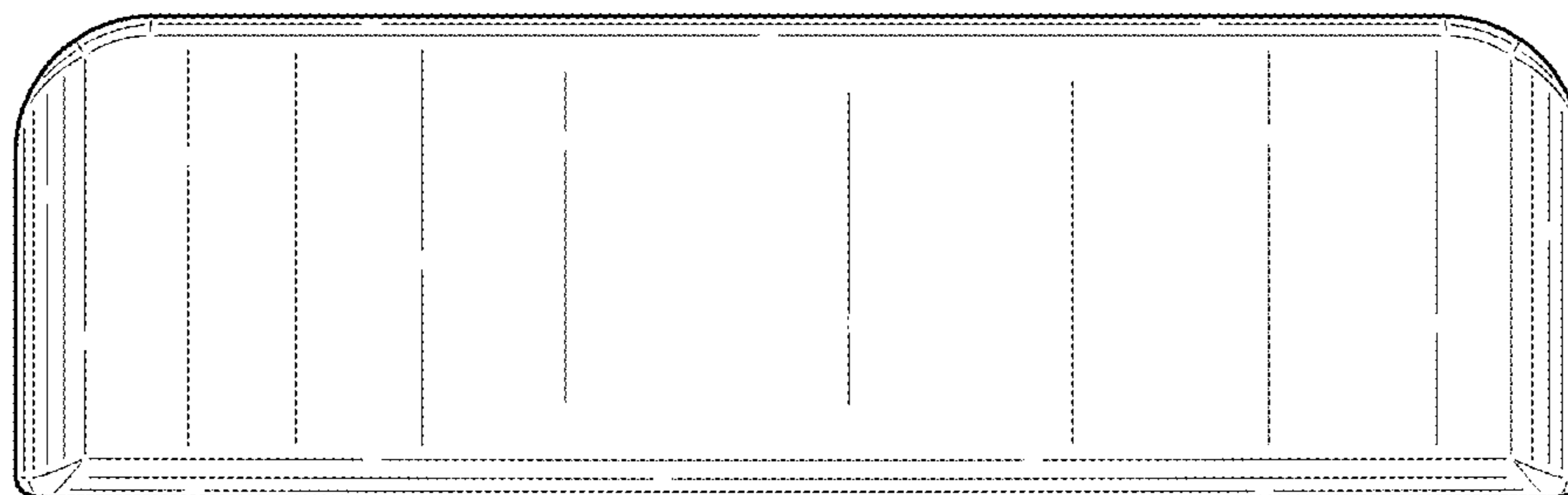


FIG. 7