



US00D794144S

(12) **United States Design Patent** (10) **Patent No.:** **US D794,144 S**
Abelbeck et al. (45) **Date of Patent:** **** Aug. 8, 2017**

(54) **EXERCISE RIG**
(71) Applicants: **Kevin Gene Abelbeck**, Fort Collins, CO (US); **Rickard Blomberg**, Halmstad (SE)
(72) Inventors: **Kevin Gene Abelbeck**, Fort Collins, CO (US); **Rickard Blomberg**, Halmstad (SE)
(73) Assignee: **Eleiko Sport, Inc.**, Chicago, IL (US)
(**) Term: **15 Years**
(21) Appl. No.: **29/528,844**
(22) Filed: **Jun. 1, 2015**
(51) **LOC (10) Cl.** **21-02**
(52) **U.S. Cl.**
USPC **D21/686**
(58) **Field of Classification Search**
USPC 211/85.7; 482/23, 145, 2, 142, 148, 907, 482/144, 87, 86, 37, 24; 52/27, 83; 206/579; 135/122; 136/251; 114/264, 114/382; D21/686, 675, 691, 797, 826; 29/428; 606/244; 254/8 R; 16/34; D25/6, 1; 472/136, 92; 182/36; D23/202
CPC A63B 71/0036; A63B 21/0552; A63B 21/068; A63B 21/4025; A63B 21/4035
See application file for complete search history.

D635,206 S * 3/2011 Henniger D21/691
D636,038 S * 4/2011 Henniger D21/691
D636,039 S * 4/2011 Henniger D21/691
D636,040 S * 4/2011 Henniger D21/691
8,016,686 B2 * 9/2011 Liggett A63G 31/00
182/36
D697,988 S * 1/2014 Januszek D21/686
8,628,059 B2 * 1/2014 Hetrick B60B 33/0005
16/34

(Continued)

OTHER PUBLICATIONS

Showcase: Vidant Performance Center by Advantage dated May 23, 2016. Found online [Mar. 27, 2017] <http://www.advantagefitness.com/blog/entry/showcase-vidant-performance-center>.*

(Continued)

Primary Examiner — Robert M Spear
Assistant Examiner — Ryan Harvey

(57) **CLAIM**

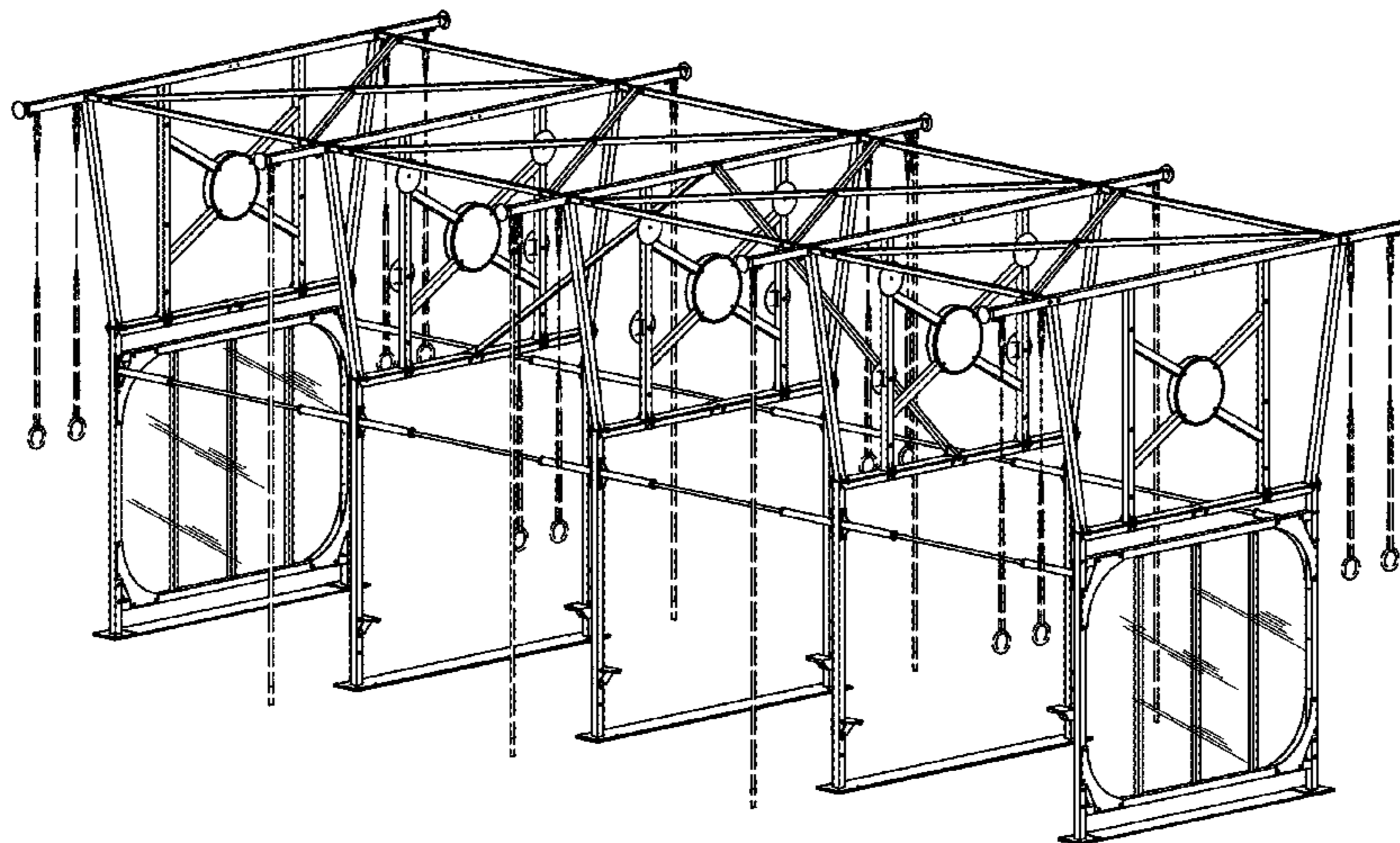
The ornamental design for an exercise rig, as shown and described.

DESCRIPTION

FIG. 1 is a front isometric view of an exercise rig showing our new design in an environment of use; FIG. 2 is a front isometric view of the exercise rig without the environmental structures shown in FIG. 1; FIG. 3 is a left side view of the design as shown in FIG. 2, the right side view is a mirror image of the left side; FIG. 4 is a front end view of the design as shown in FIG. 2, the rear side view is a mirror image of the front side; FIG. 5 is a top view of the design as shown in FIG. 2; and, FIG. 6 is a bottom view of the design as shown in FIG. 2. The broken line showing of portions of the exercise rig depicts environment and forms no part of the claim.

1 Claim, 6 Drawing Sheets

(56) **References Cited**
U.S. PATENT DOCUMENTS
1,126,082 A * 1/1915 Beach 482/23
1,779,903 A * 10/1930 Daragon A63B 9/00
482/23
D135,935 S * 7/1943 Miller 482/37
D235,096 S * 5/1975 Mohr D23/202
5,876,314 A * 3/1999 Sugimura A63B 19/04
482/144
D629,472 S * 12/2010 Rhodes D21/675



(56)

References Cited

U.S. PATENT DOCUMENTS

D743,049 S * 11/2015 Brody D25/1
 9,295,871 B2 * 3/2016 Luedeka A63B 21/4023
 D762,789 S * 8/2016 Gilchrist D21/686
 D767,692 S * 9/2016 Kuka D21/686
 D767,693 S * 9/2016 Kuka D21/686
 9,452,309 B2 * 9/2016 Scaramucci A63B 1/005
 2002/0169054 A1 * 11/2002 Schwendemann ... A63B 69/004
 482/87
 2002/0185049 A1 * 12/2002 Broderick A63B 5/11
 114/264
 2005/0070408 A1 * 3/2005 Fallacaro A63B 1/00
 482/148
 2006/0135272 A1 * 6/2006 Liggett A63G 31/02
 472/92
 2007/0032357 A1 * 2/2007 Piane A63B 1/00
 482/142
 2007/0119489 A1 * 5/2007 Haymann E04H 15/18
 135/122
 2009/0186745 A1 * 7/2009 Lewiston F03D 9/007
 482/2

2014/0014604 A1 * 1/2014 de Moraes Correia
 A63B 71/0622
 211/85.7
 2014/0274563 A1 * 9/2014 Sheta A63B 71/0619
 482/2
 2015/0011370 A1 * 1/2015 Henniger A63B 21/00047
 482/145
 2015/0014212 A1 * 1/2015 Beaver A63B 23/0458
 206/579
 2015/0059257 A1 * 3/2015 Beaver A63B 17/00
 52/27
 2015/0196119 A1 * 7/2015 Henniger A63B 1/00
 211/85.7

OTHER PUBLICATIONS

CFF Wall Mounted Pull Up Rig—2" × 3" WOD Series by CFFFIT
 dated no date given. Found online [Mar. 27, 2017] <https://christiansfitnessfactory.com/cff-wall-mounted-pull-up-rig-2-x-3-wod-series.html>.
 Rigs by Rogue dated no date given. Found online [Mar. 27, 2017]
<http://www.roguefitness.com/rogue-rigs-racks/rigs>.
 U.S. Appl. No. 29/493,258, filed Jun. 6, 2014, Correia.

* cited by examiner

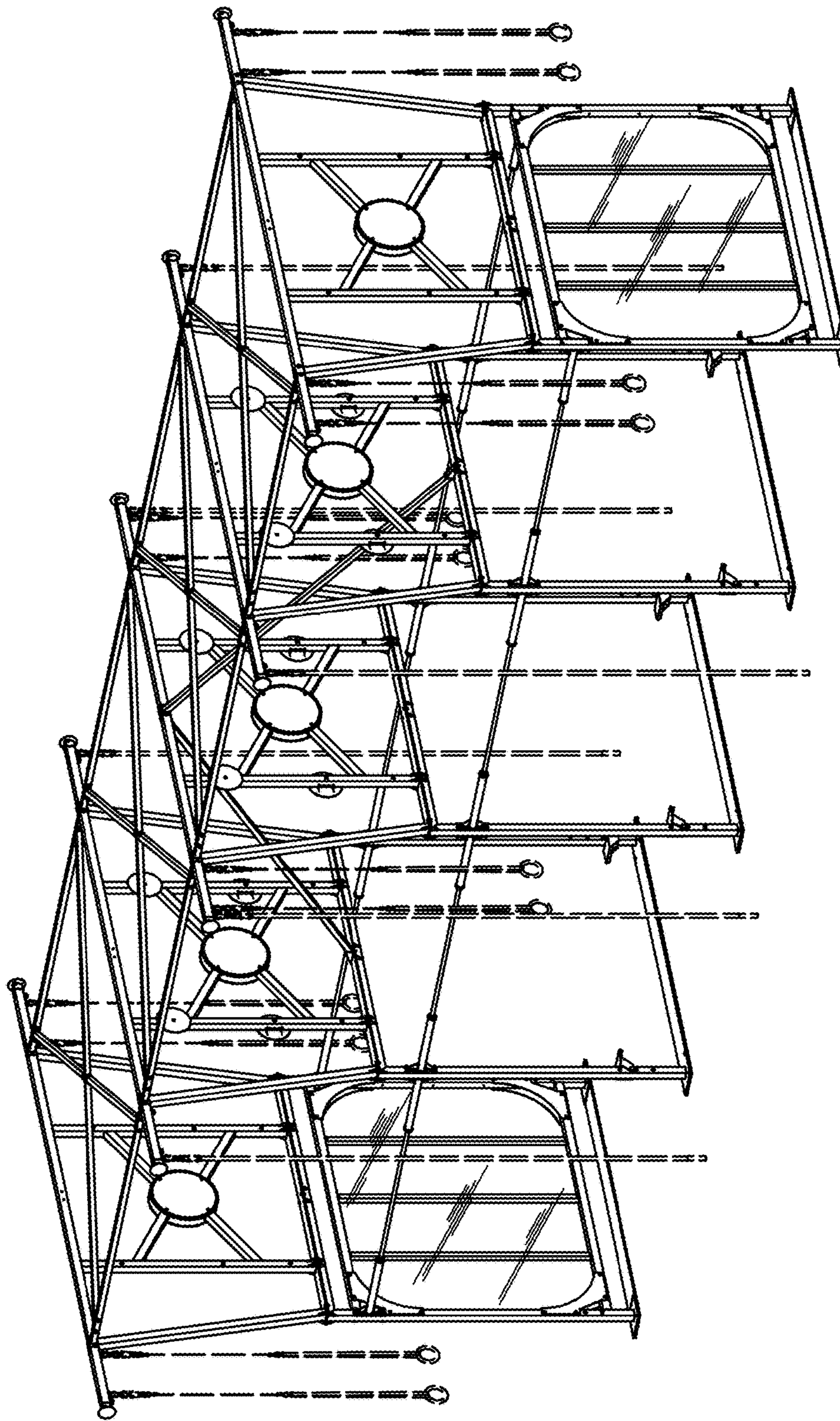


Fig. 1

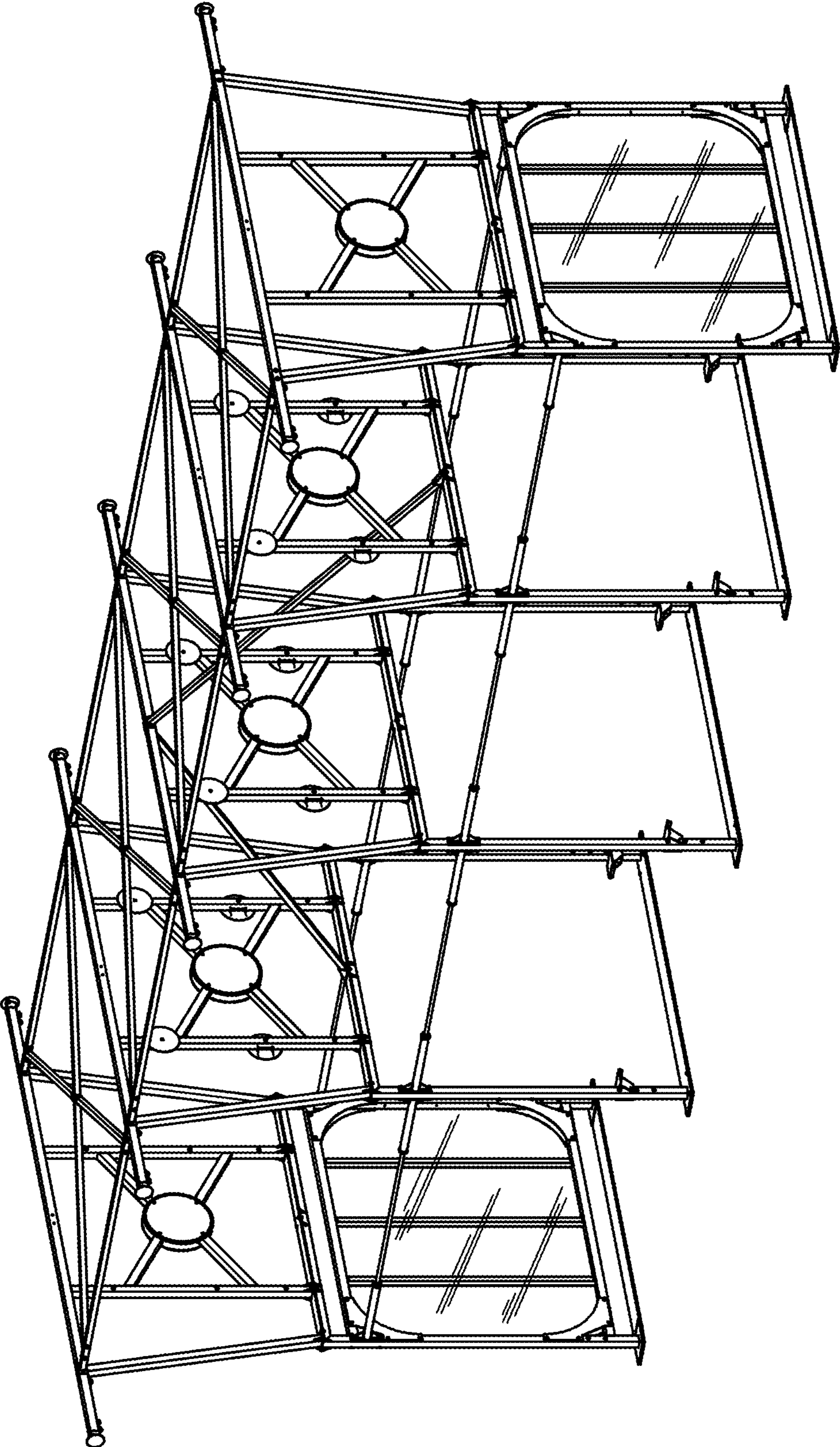


Fig. 2

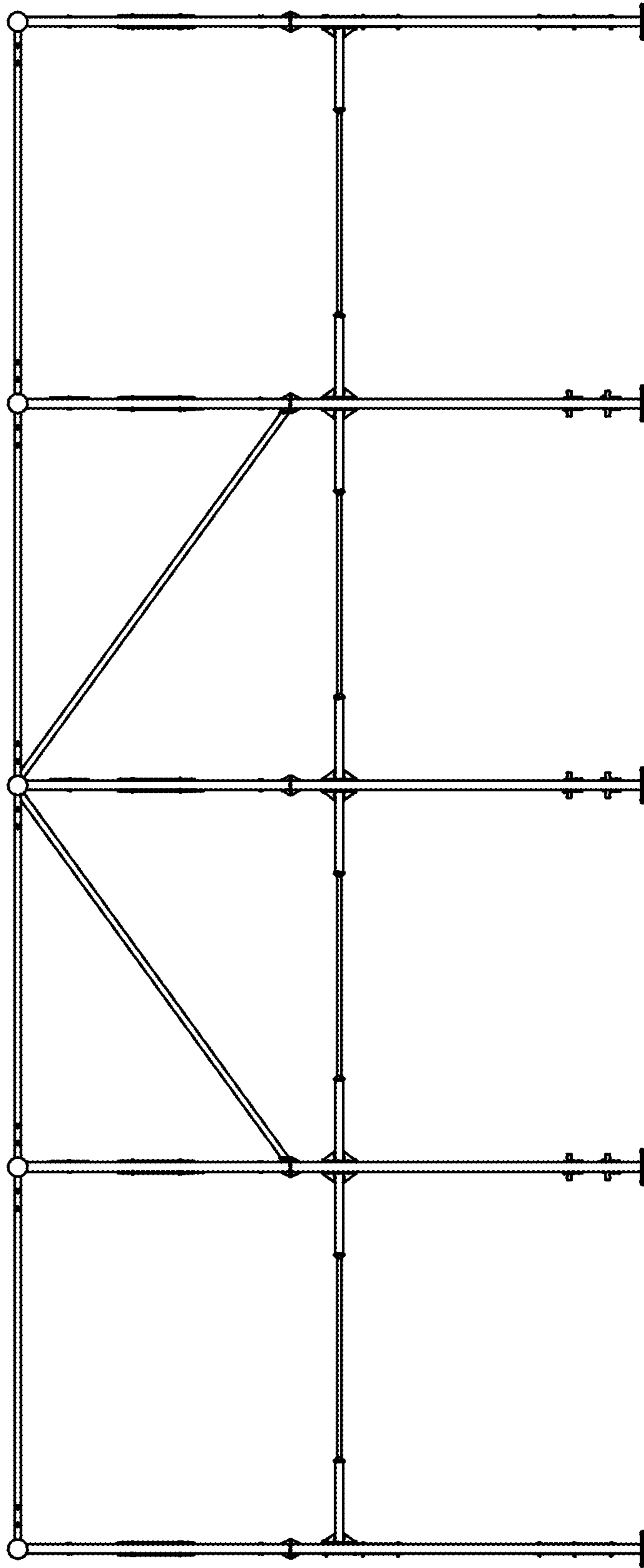


Fig. 3

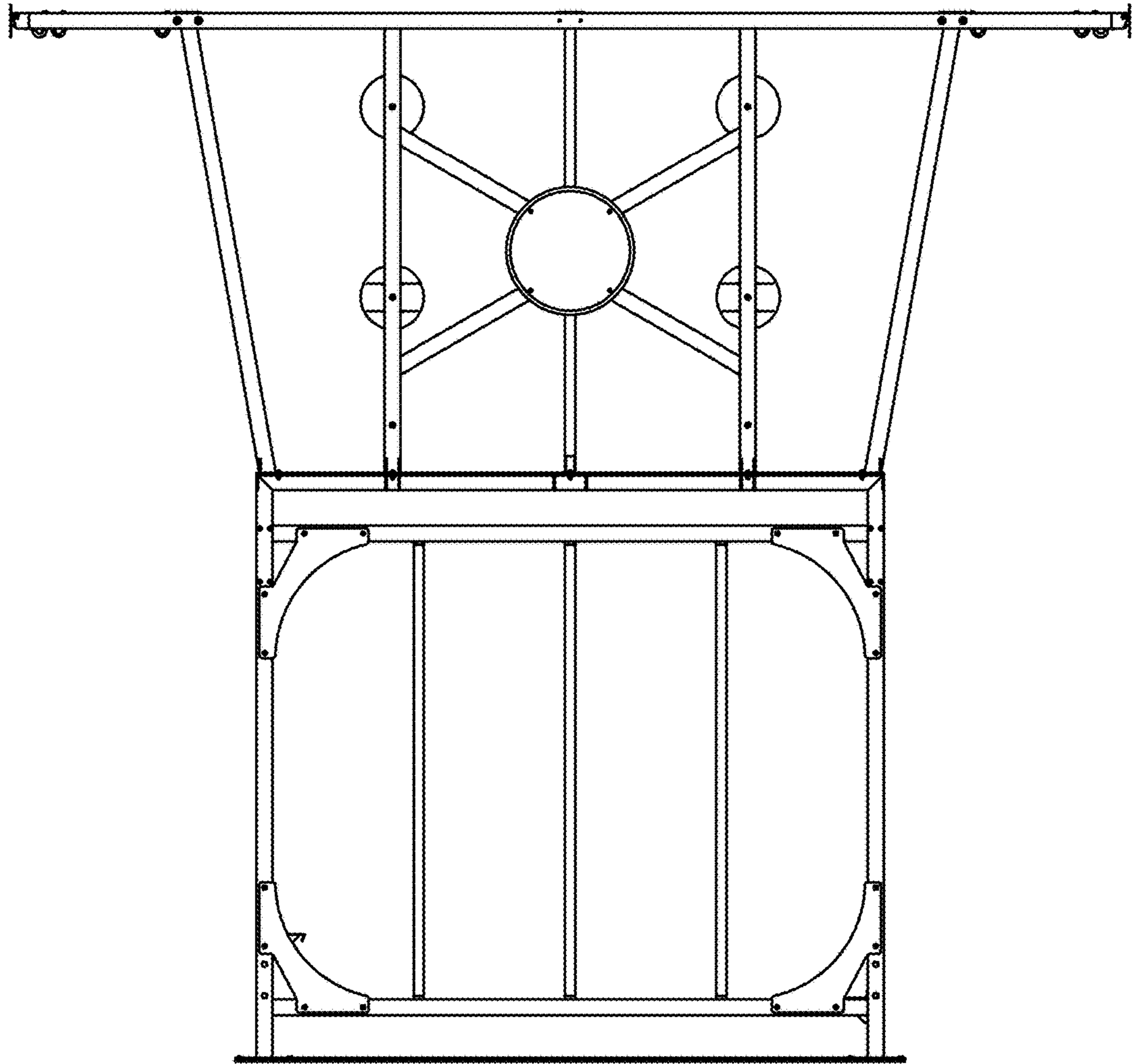


Fig. 4

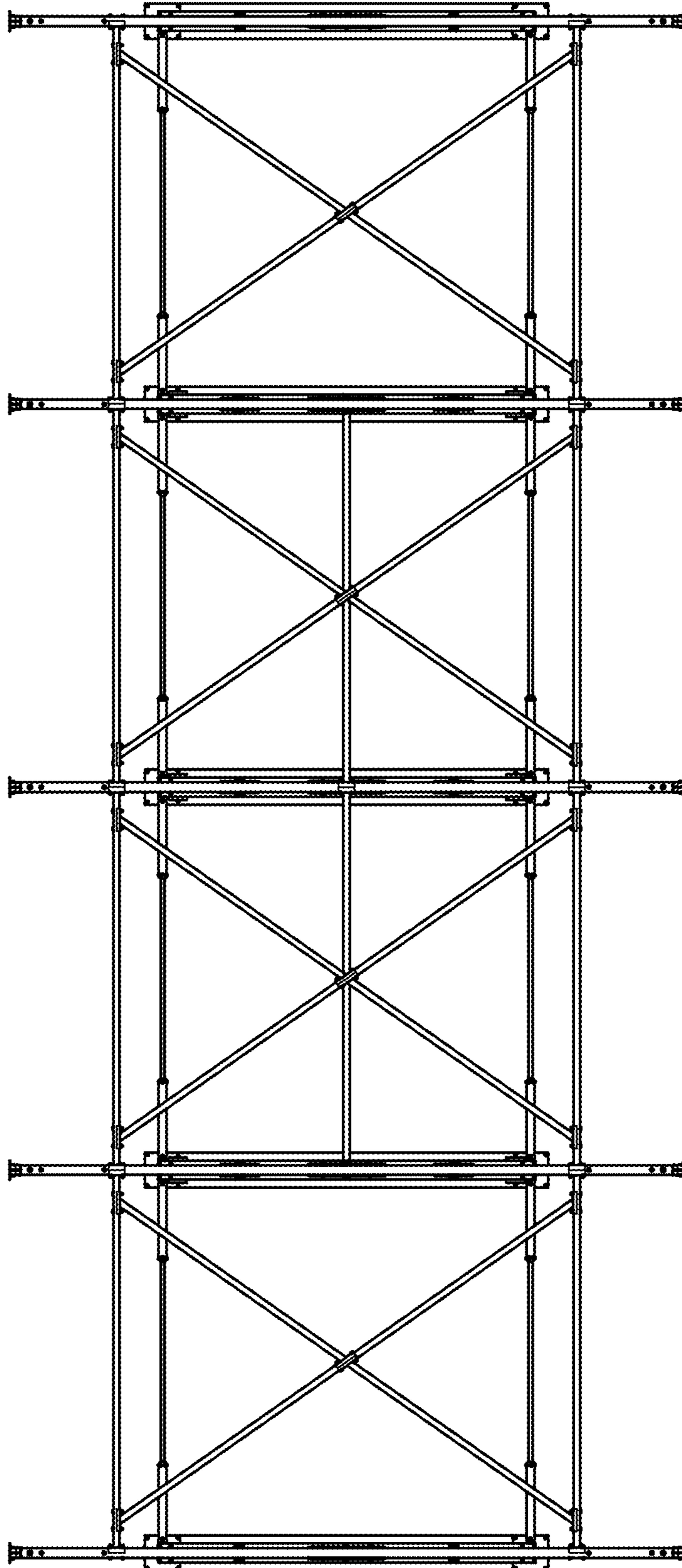


Fig. 5

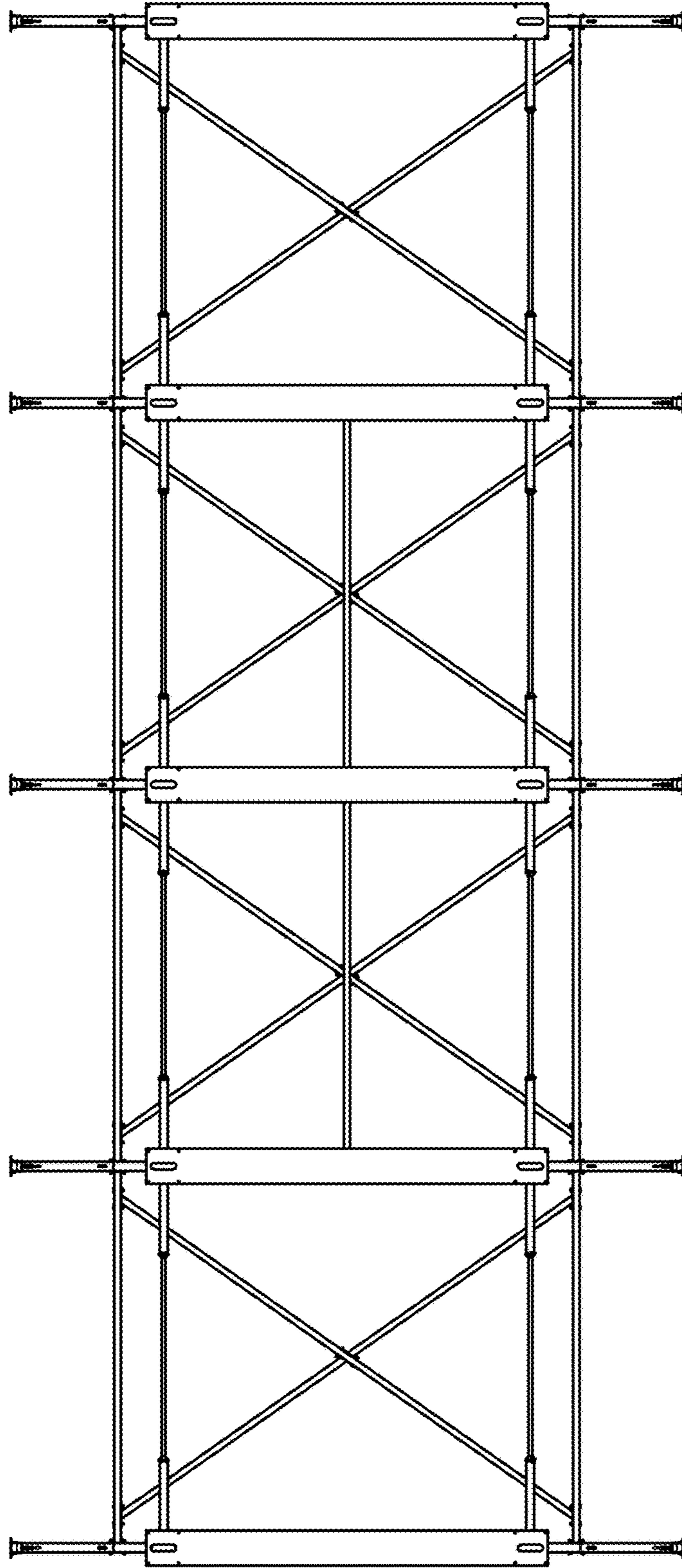


Fig. 6