



US00D794143S

(12) **United States Design Patent** (10) **Patent No.:** **US D794,143 S**  
**Rex** (45) **Date of Patent:** **\*\* Aug. 8, 2017**

- (54) **GRIP FOR EXERCISE BALL**
- (71) Applicant: **Kenneth A. Rex**, Rochester, NY (US)
- (72) Inventor: **Kenneth A. Rex**, Rochester, NY (US)
- (73) Assignees: **Charles F. Ryan, II**, Rochester, NY (US); **Kenneth A. Rex**, Rochester, NY (US)
- (\*\*) Term: **15 Years**
- (21) Appl. No.: **29/552,087**
- (22) Filed: **Jan. 20, 2016**

**Related U.S. Application Data**

- (63) Continuation-in-part of application No. 13/796,029, filed on Mar. 12, 2013, now abandoned.
- (51) **LOC (10) Cl.** ..... **21-02**
- (52) **U.S. Cl.**  
USPC ..... **D21/680**; D21/694
- (58) **Field of Classification Search**  
USPC ..... D21/498, 662, 678, 680, 707, 713, 803;  
D9/447; D7/622; D19/105, 106,  
D19/164-167, 174, 199; D16/242  
CPC ..... A63B 21/00; A63B 22/00; A63B 23/00;  
A63B 24/00  
See application file for complete search history.

**References Cited**

**U.S. PATENT DOCUMENTS**

2,115,926 A	5/1938	Hatton	
4,157,631 A *	6/1979	Kifferstein	..... A63H 33/18
			446/188
D256,221 S *	8/1980	Richmond	..... D19/82
D287,812 S *	1/1987	Bordonaro	..... D8/18
D392,711 S *	3/1998	Decker	..... D21/678
D420,062 S *	2/2000	Glickman	..... D21/503
D421,849 S *	3/2000	Willardson	..... D20/28

(Continued)

*Primary Examiner* — Caron D Veynar  
*Assistant Examiner* — Mehri Bajoul  
 (74) *Attorney, Agent, or Firm* — Tracy Jong Law Firm;  
 Tracy P. Jong; Cheng Ning Jong

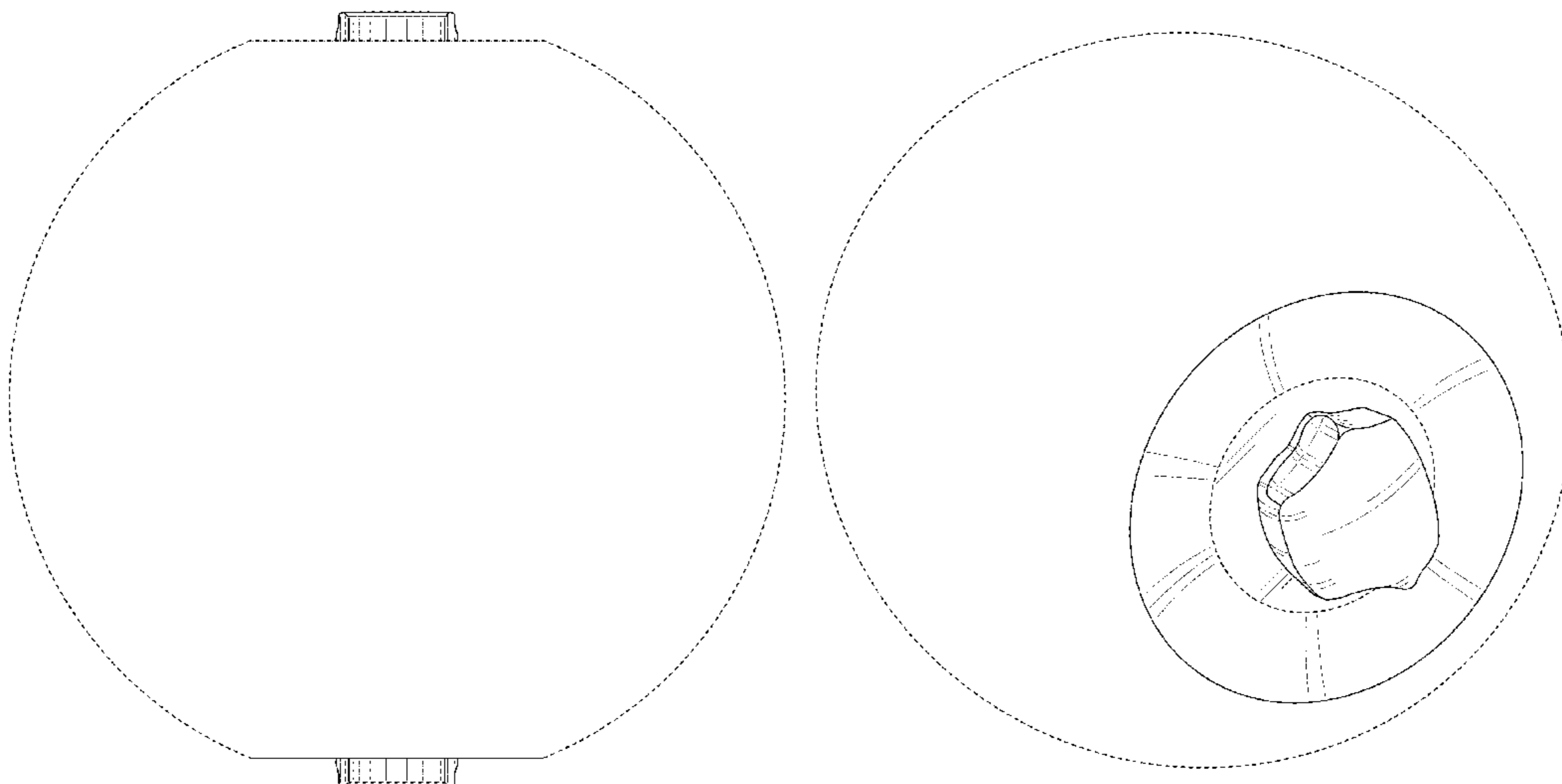
(57) **CLAIM**

The ornamental design for a grip for exercise ball, as shown and described.

**DESCRIPTION**

FIG. 1 is a front view of a left gripping portion and a right gripping portion of an exercise ball.  
 FIG. 2 is a top front perspective view of the left gripping portion thereof.  
 FIG. 3 is a top front perspective view of the left gripping portion with a left hand grasping the left gripping portion thereof.  
 FIG. 4 is a top front perspective view of the right gripping portion thereof.  
 FIG. 5 is a side view of the right gripping portion thereof.  
 FIG. 6 is a side view of the left gripping portion thereof.  
 FIG. 7 is a front perspective view of the right gripping portion thereof.  
 FIG. 8 is a top perspective view of the right gripping portion thereof.  
 FIG. 9 is a rear perspective view of the right gripping portion thereof.  
 FIG. 10 is a bottom perspective view of the right gripping portion thereof.  
 FIG. 11 is a front perspective view of the left gripping portion thereof.  
 FIG. 12 is a top perspective view of the left gripping portion thereof.  
 FIG. 13 is a rear perspective view of the left gripping portion thereof; and,  
 FIG. 14 is a bottom perspective view of the left gripping portion thereof.  
 The broken lines shown throughout the views represent the portions of the design that form no part of the claim.

**1 Claim, 14 Drawing Sheets**



(56)

References Cited

U.S. PATENT DOCUMENTS

D430,037 S \* 8/2000 Granai ..... D9/544  
 D445,836 S \* 7/2001 Willardson ..... D20/28  
 6,267,658 B1 \* 7/2001 Ali ..... B24D 15/04  
 451/523  
 D505,274 S \* 5/2005 Lai ..... D6/323  
 6,925,675 B1 \* 8/2005 Trunecek ..... A47L 1/16  
 15/236.01  
 7,270,627 B2 \* 9/2007 Hankin ..... A61H 1/003  
 482/51  
 D598,565 S \* 8/2009 Coyle ..... D24/217  
 D603,678 S \* 11/2009 Ali ..... D8/90  
 D618,101 S \* 6/2010 Schmitz ..... D9/454  
 D629,298 S \* 12/2010 Wong ..... D9/447  
 D672,650 S \* 12/2012 Wisniewski ..... D9/443  
 D678,503 S \* 3/2013 Schmidt ..... D24/108  
 D679,998 S \* 4/2013 Kim ..... D9/447  
 D680,429 S \* 4/2013 Wand ..... D9/435  
 8,454,485 B1 \* 6/2013 Hodes ..... A63B 21/0726  
 482/108  
 D691,848 S \* 10/2013 Trudeau ..... D7/392.1  
 D701,458 S \* 3/2014 Gortot ..... D9/434

D701,762 S \* 4/2014 Gortot ..... D9/434  
 D702,551 S \* 4/2014 Wisniewski ..... D9/449  
 D707,125 S \* 6/2014 Santarelli ..... D9/447  
 D714,145 S \* 9/2014 Skaggs ..... D9/451  
 D731,004 S \* 6/2015 Estrada, Jr. .... D21/662  
 D732,341 S \* 6/2015 Matharu ..... D7/300  
 D733,498 S \* 7/2015 Matharu ..... D7/300  
 D738,715 S \* 9/2015 Weinmann ..... D9/418  
 D746,690 S \* 1/2016 Cook ..... D9/503  
 D749,949 S \* 2/2016 Bruining ..... D9/447  
 D750,445 S \* 3/2016 Smith ..... D7/619.1  
 D750,481 S \* 3/2016 Rapparini ..... D9/500  
 D754,540 S \* 4/2016 Wang ..... D9/434  
 D756,222 S \* 5/2016 Lopez ..... D23/260  
 D756,778 S \* 5/2016 Velmer ..... D9/449  
 D758,084 S \* 6/2016 Jones ..... D6/328  
 D759,515 S \* 6/2016 Arenas ..... D10/46.2  
 D760,527 S \* 7/2016 Jones ..... D7/300  
 D767,390 S \* 9/2016 Miksovsky ..... D7/392.1  
 D769,990 S \* 10/2016 Jung ..... D21/681  
 D771,490 S \* 11/2016 Junkel ..... D9/447  
 2014/0329651 A1 \* 11/2014 Thomason ..... A63B 23/1236  
 482/141

\* cited by examiner

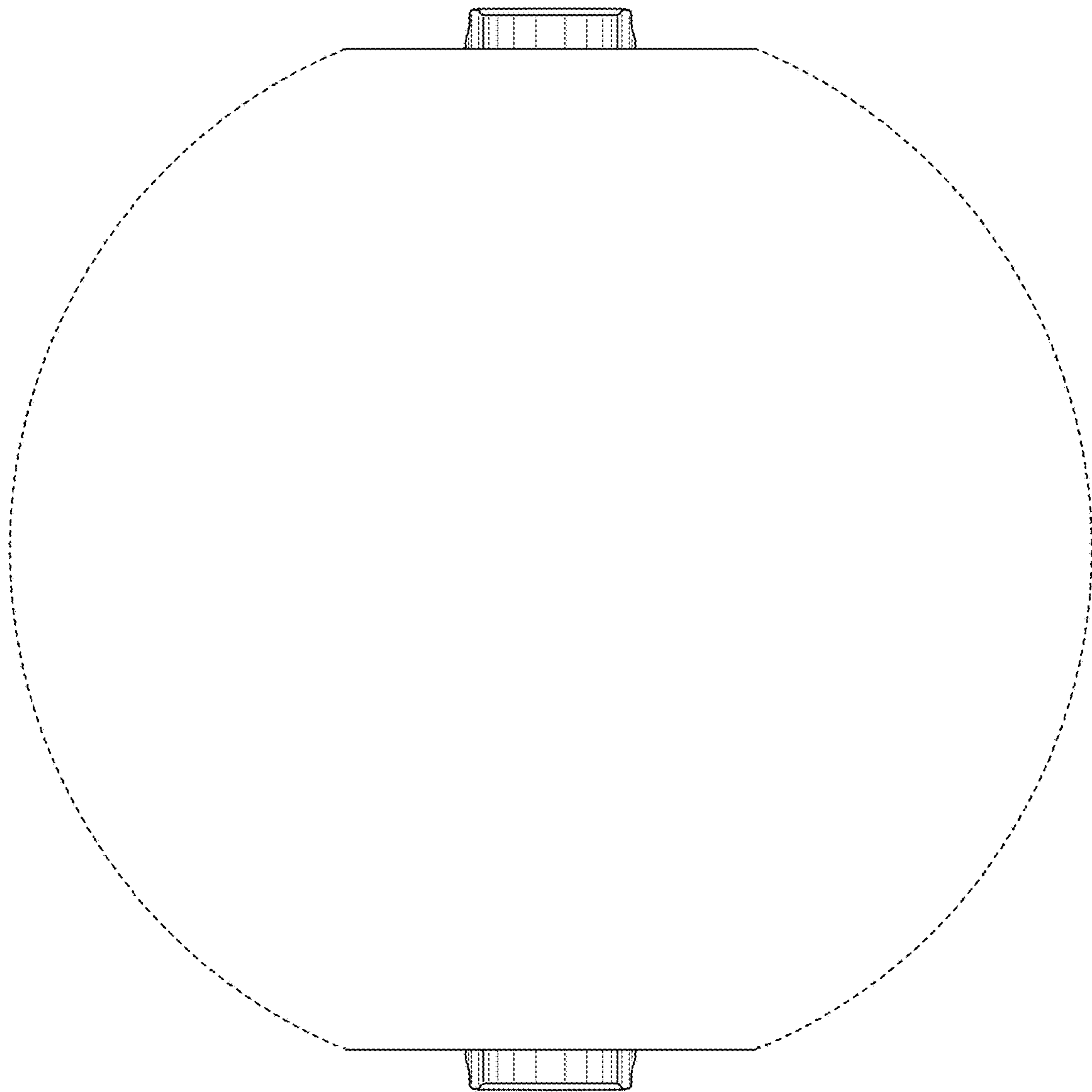


FIG. 1

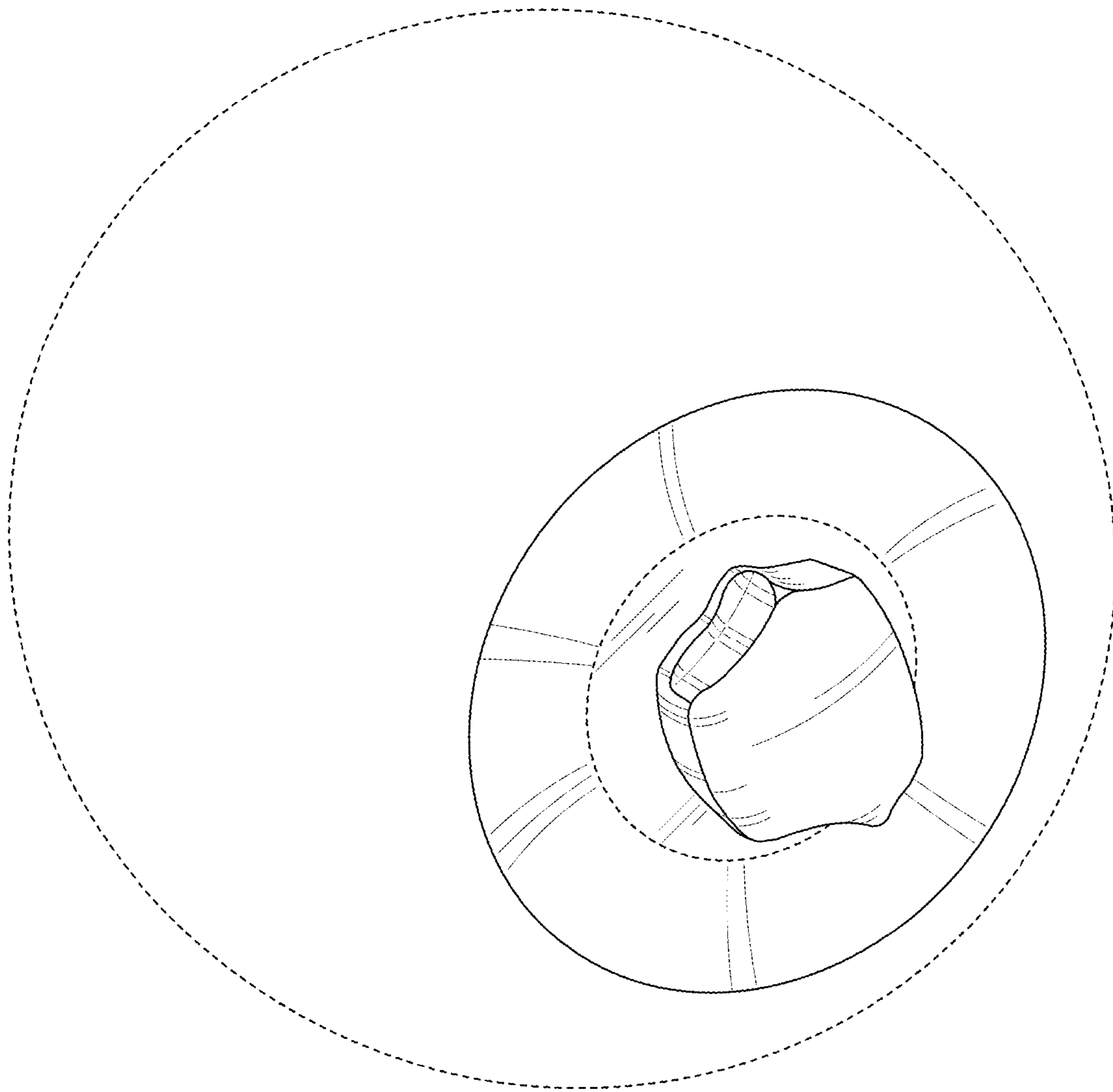


FIG. 2

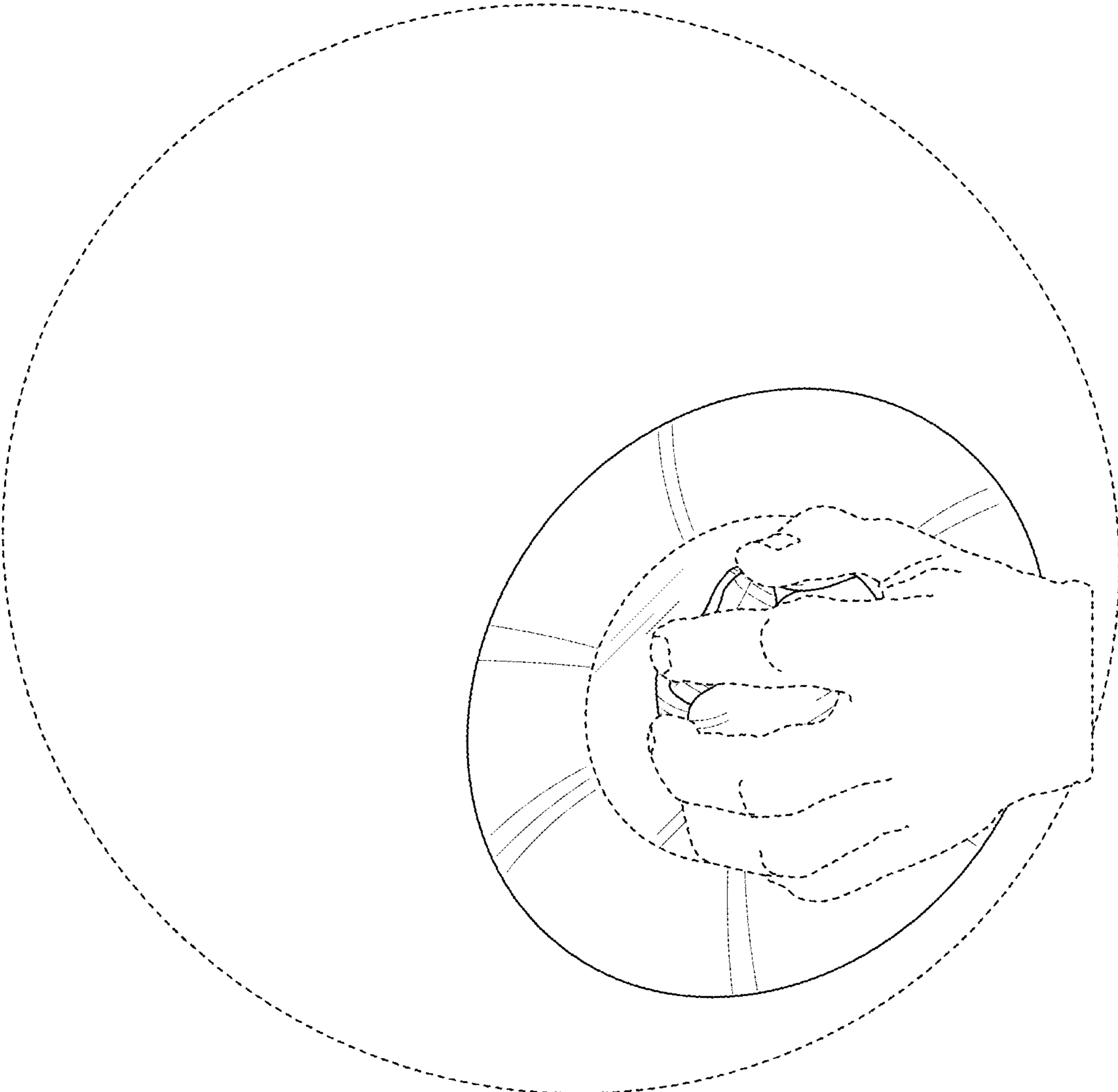


FIG. 3

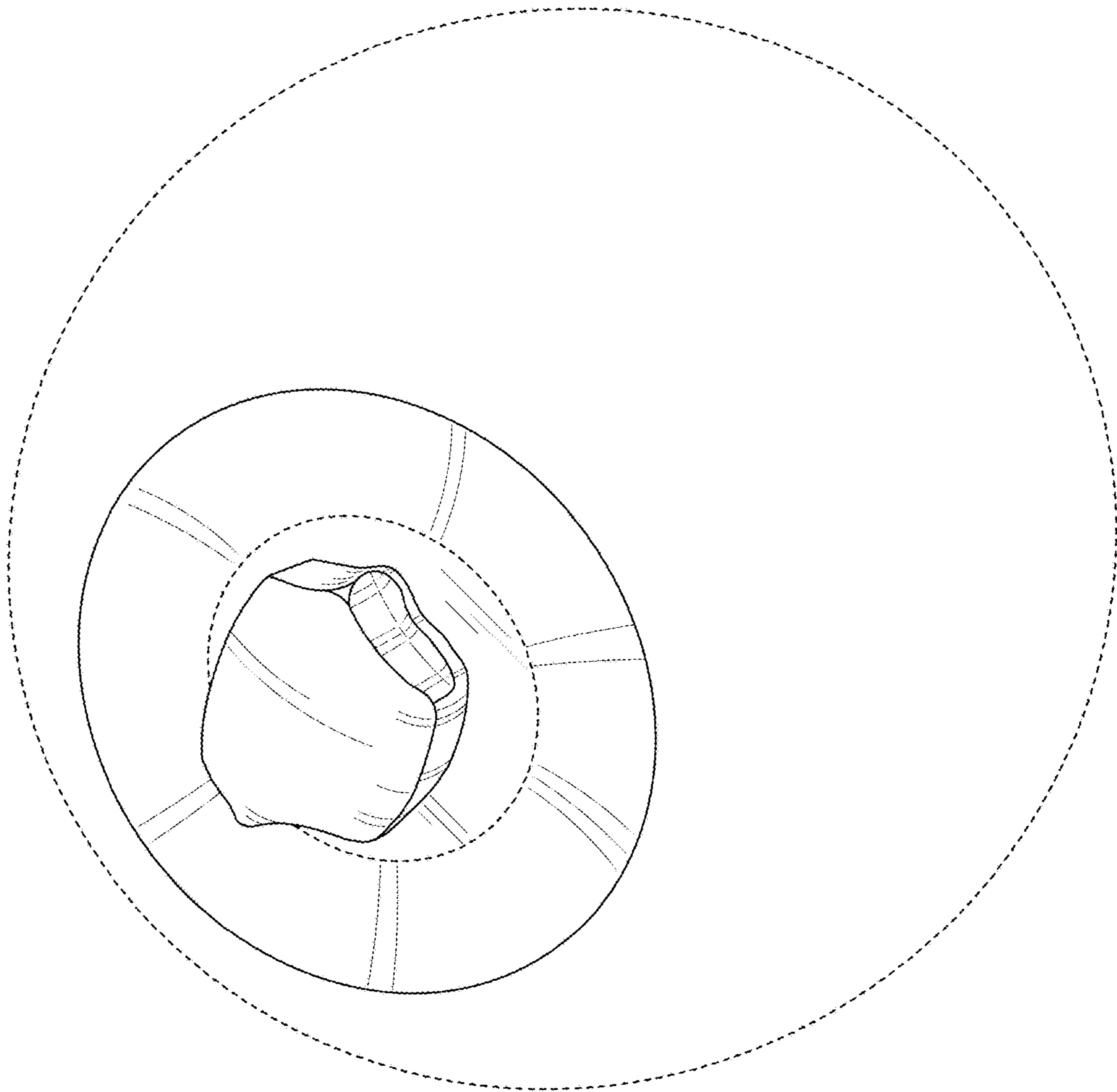


FIG. 4



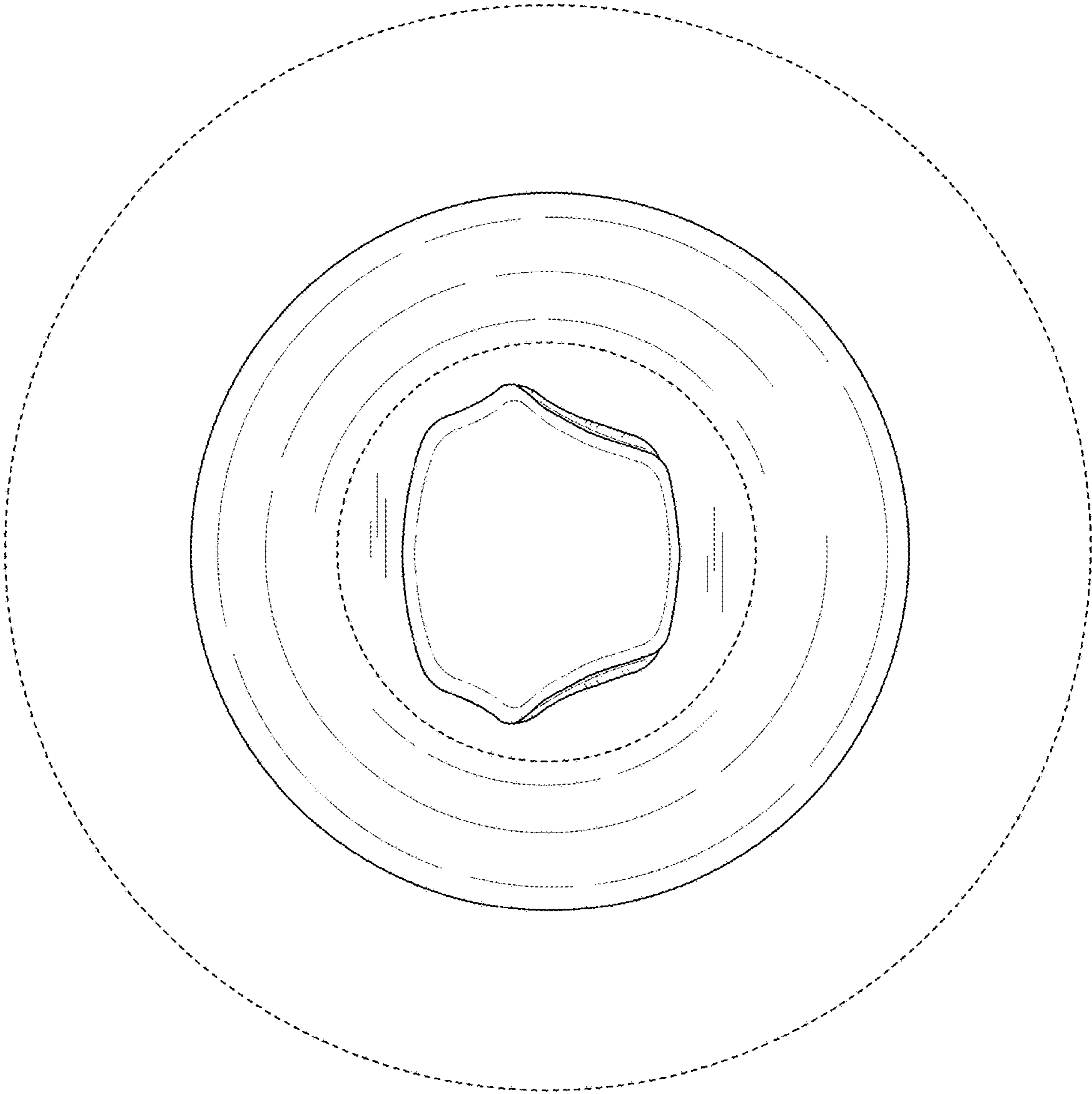


FIG. 5

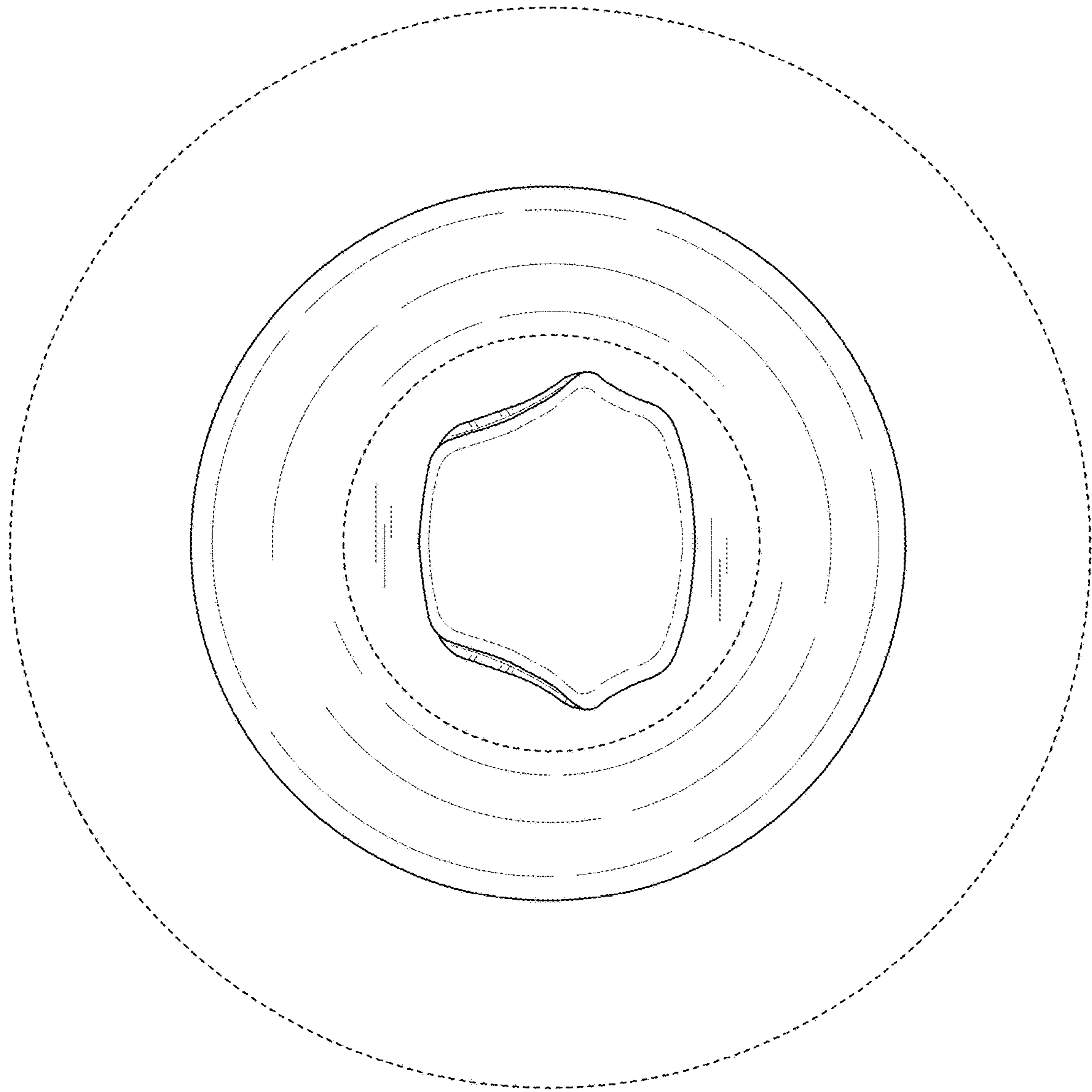


FIG. 6



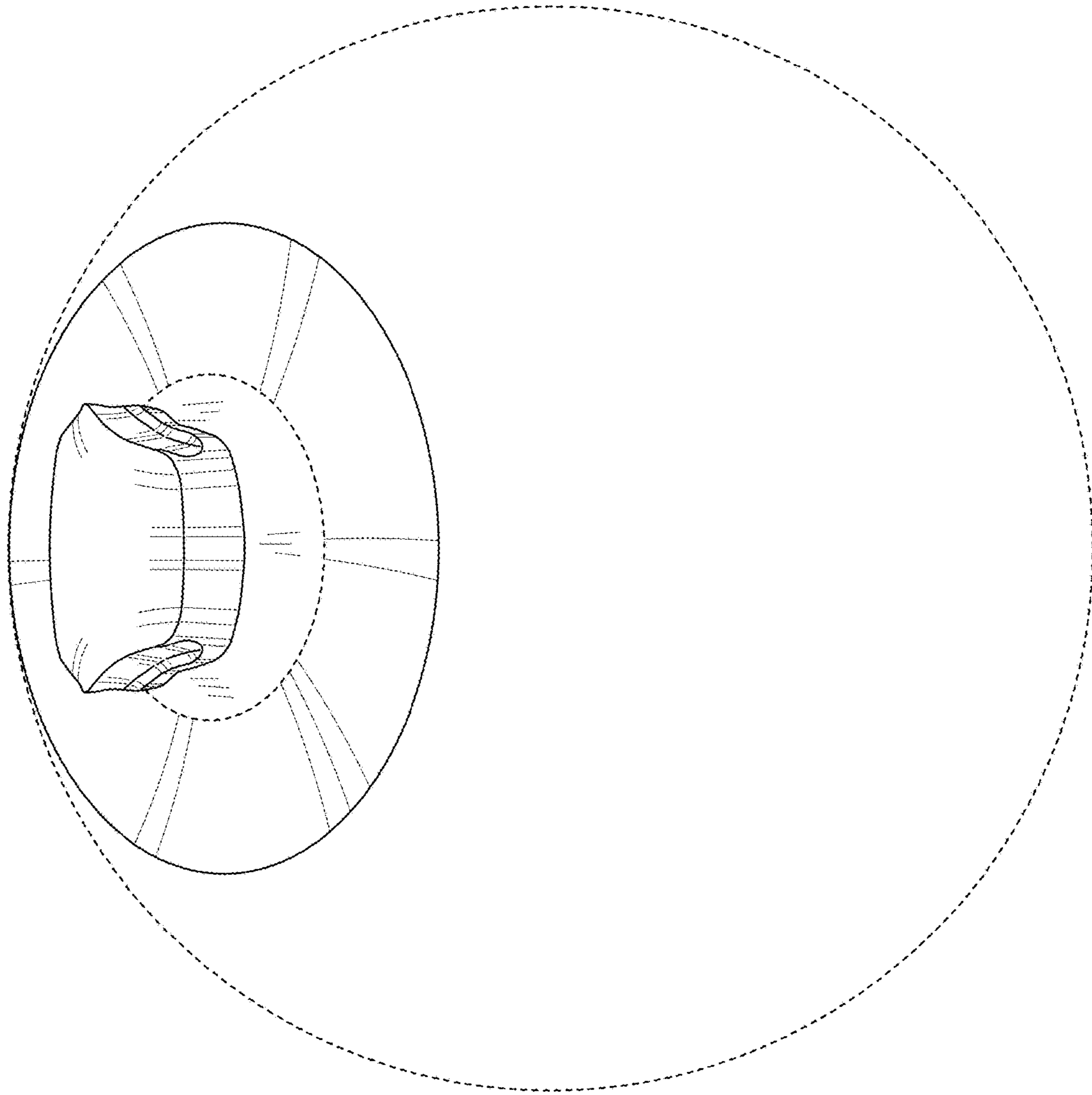


FIG. 7

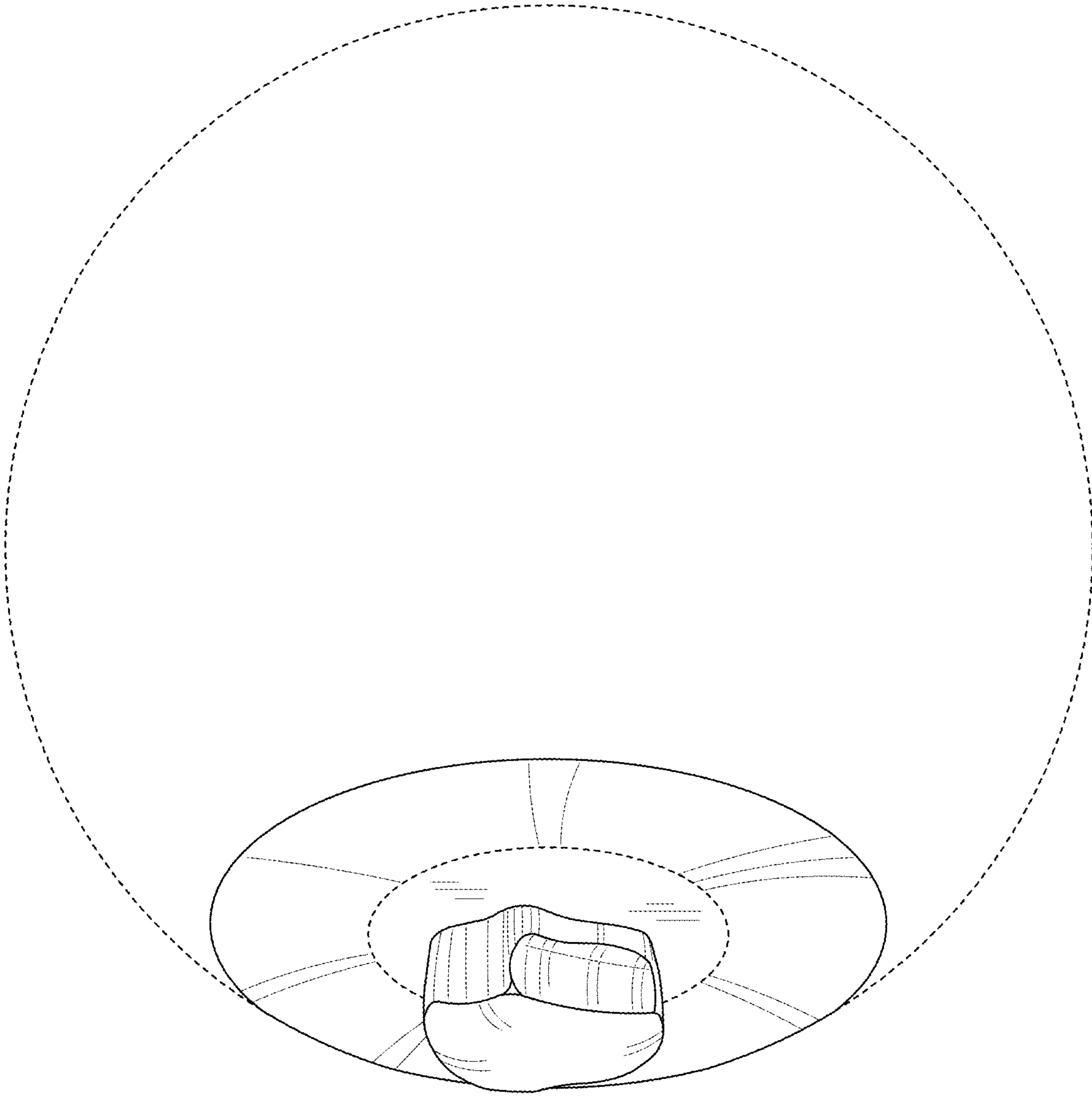


FIG. 8

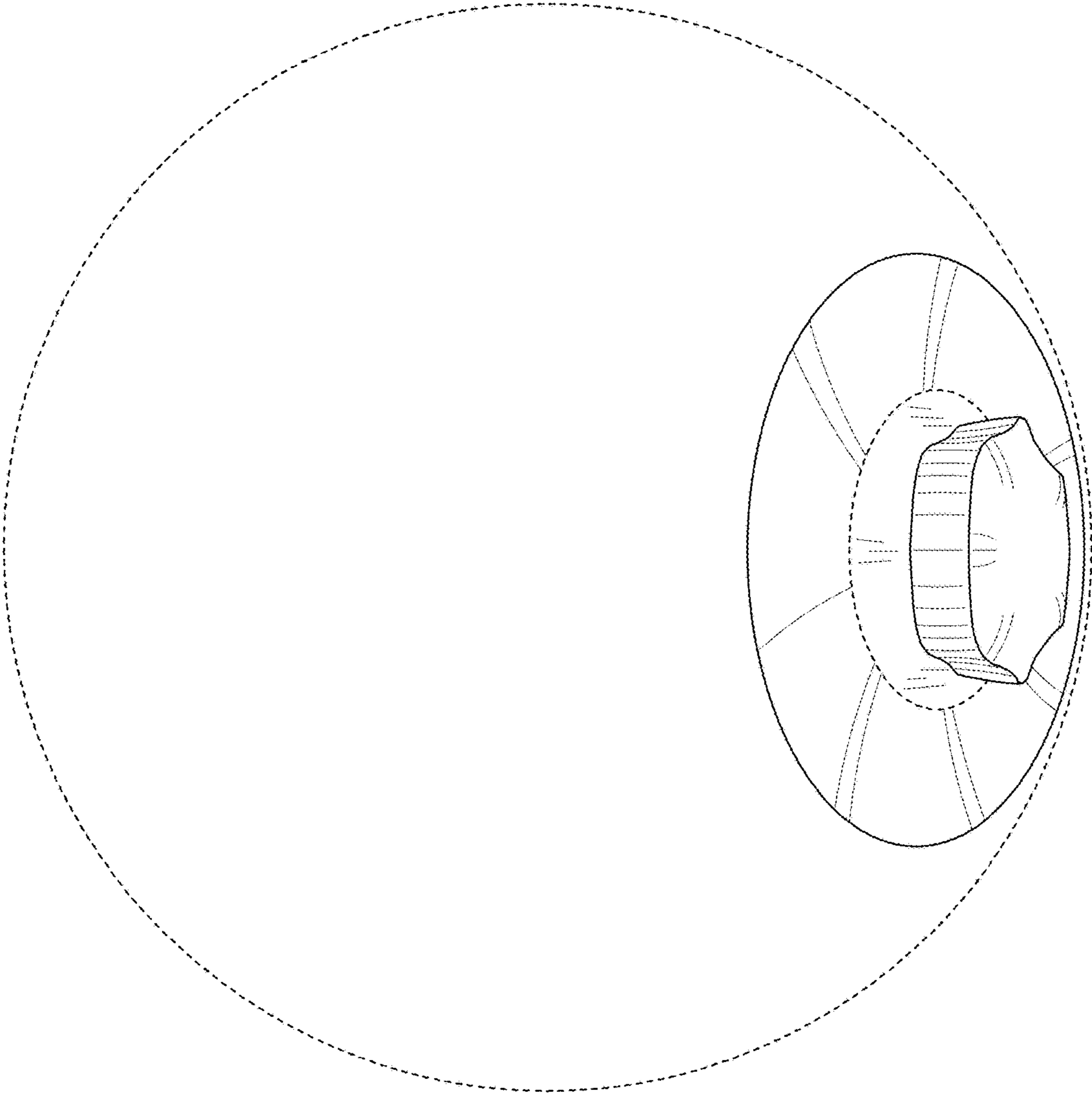


FIG. 9

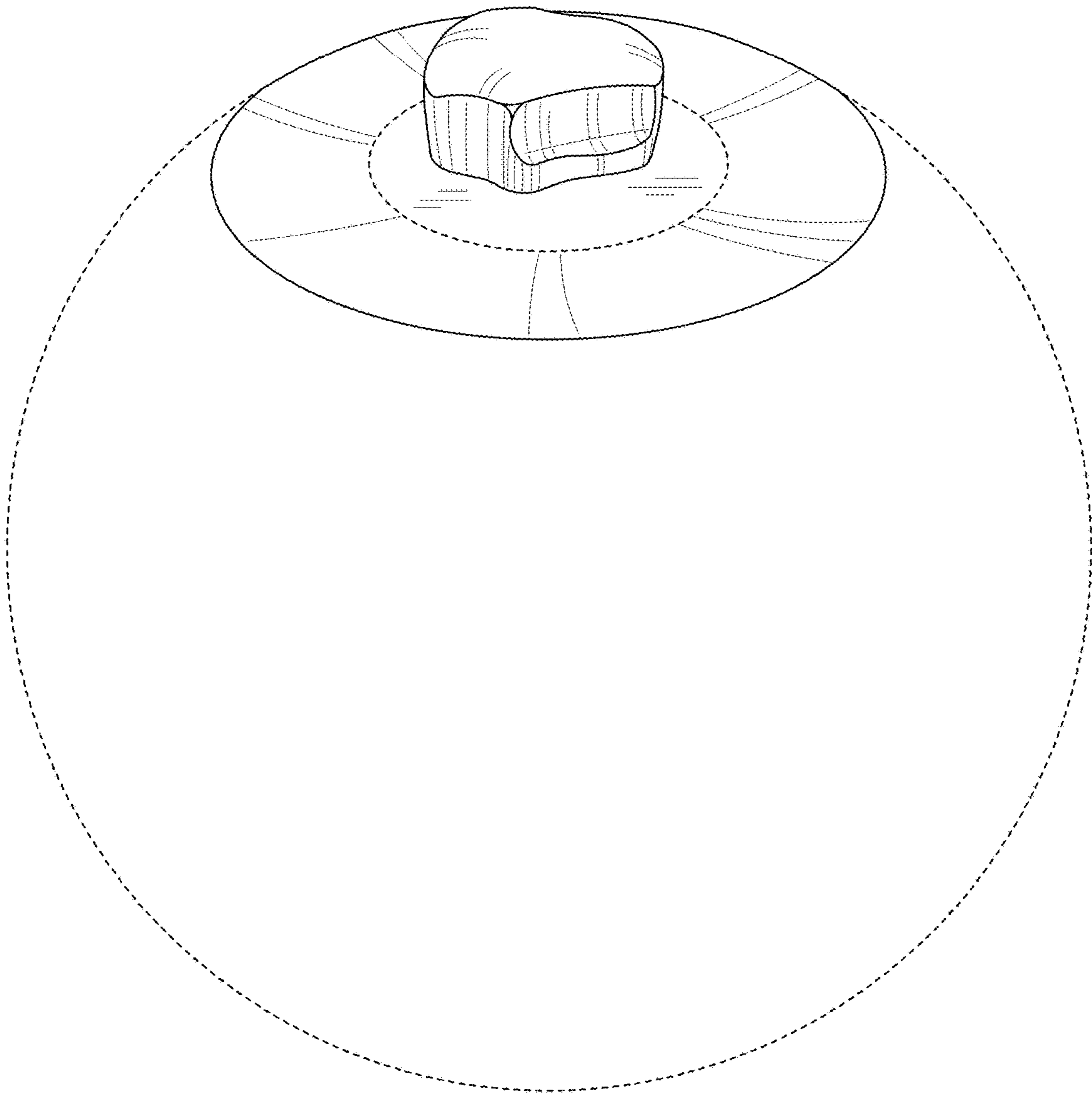


FIG. 10

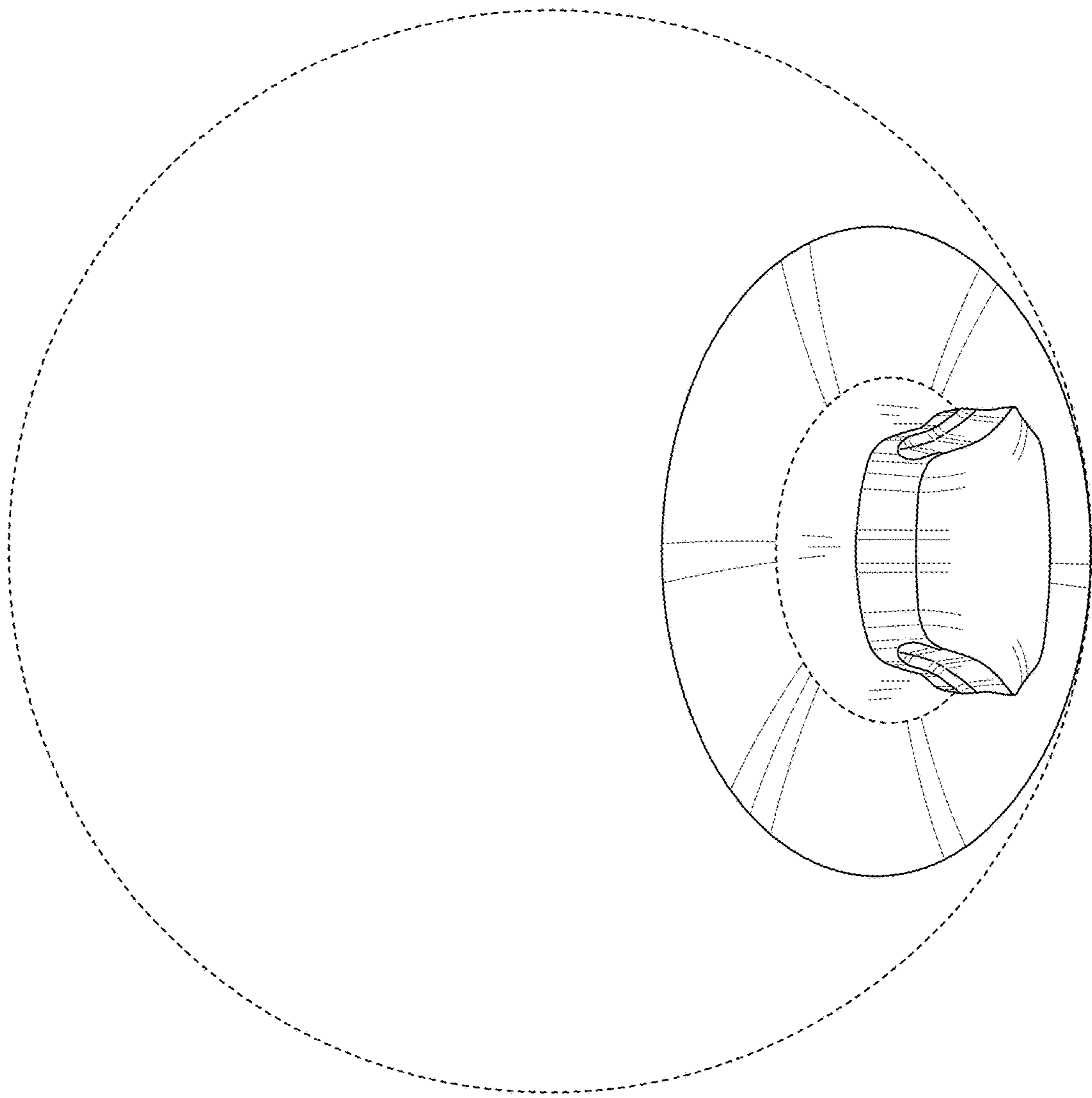


FIG. 11

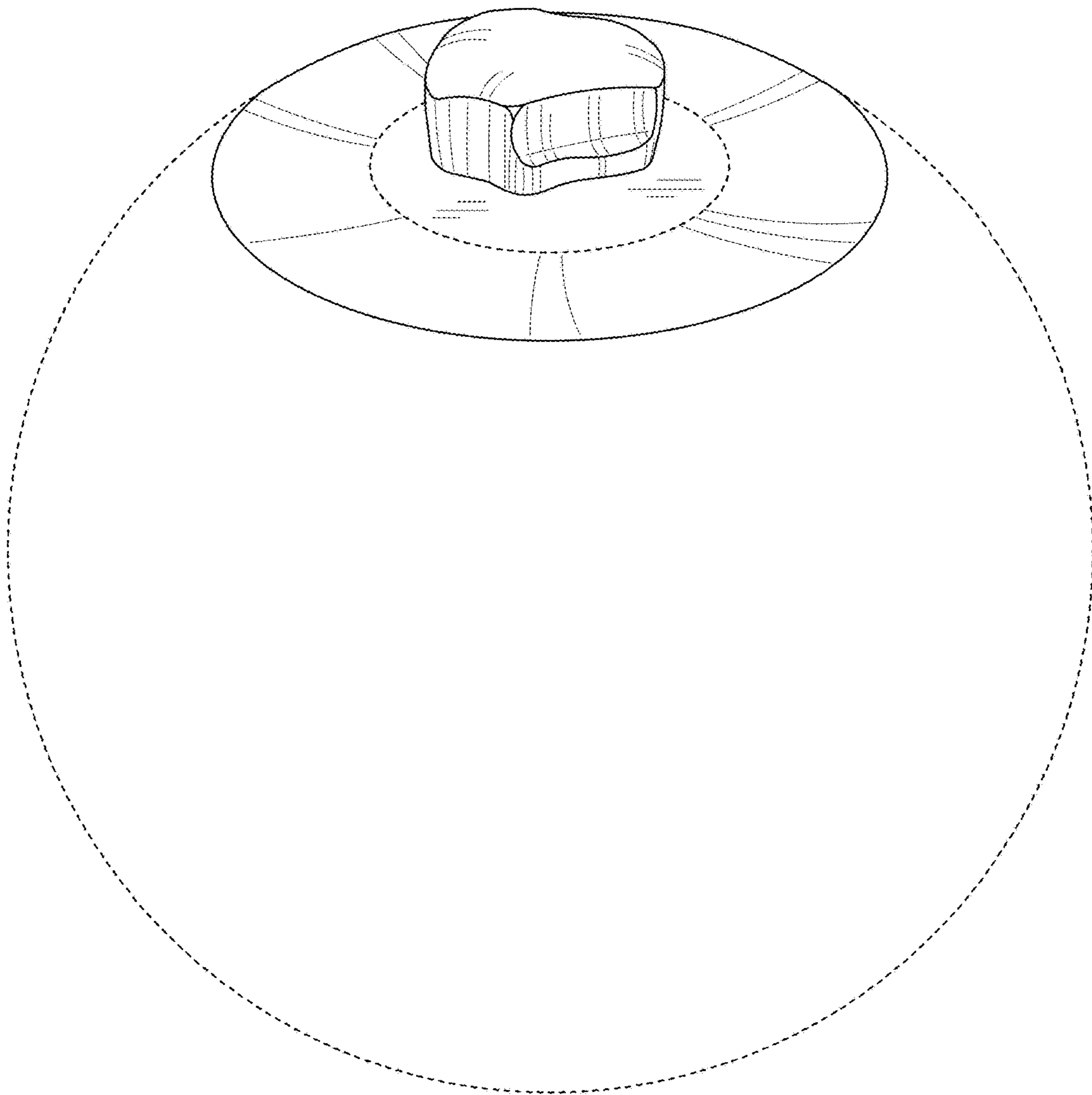


FIG. 12



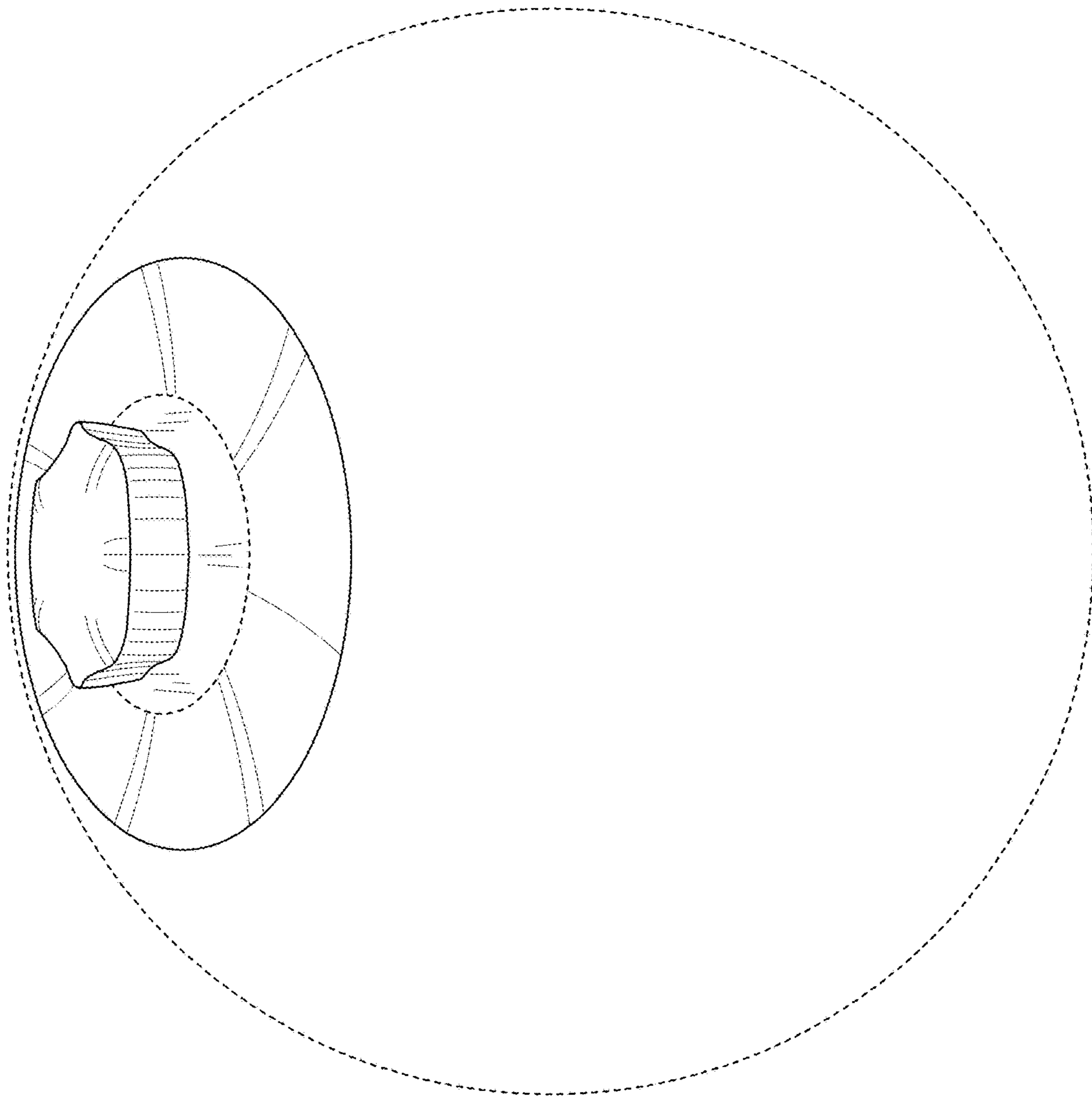


FIG. 13

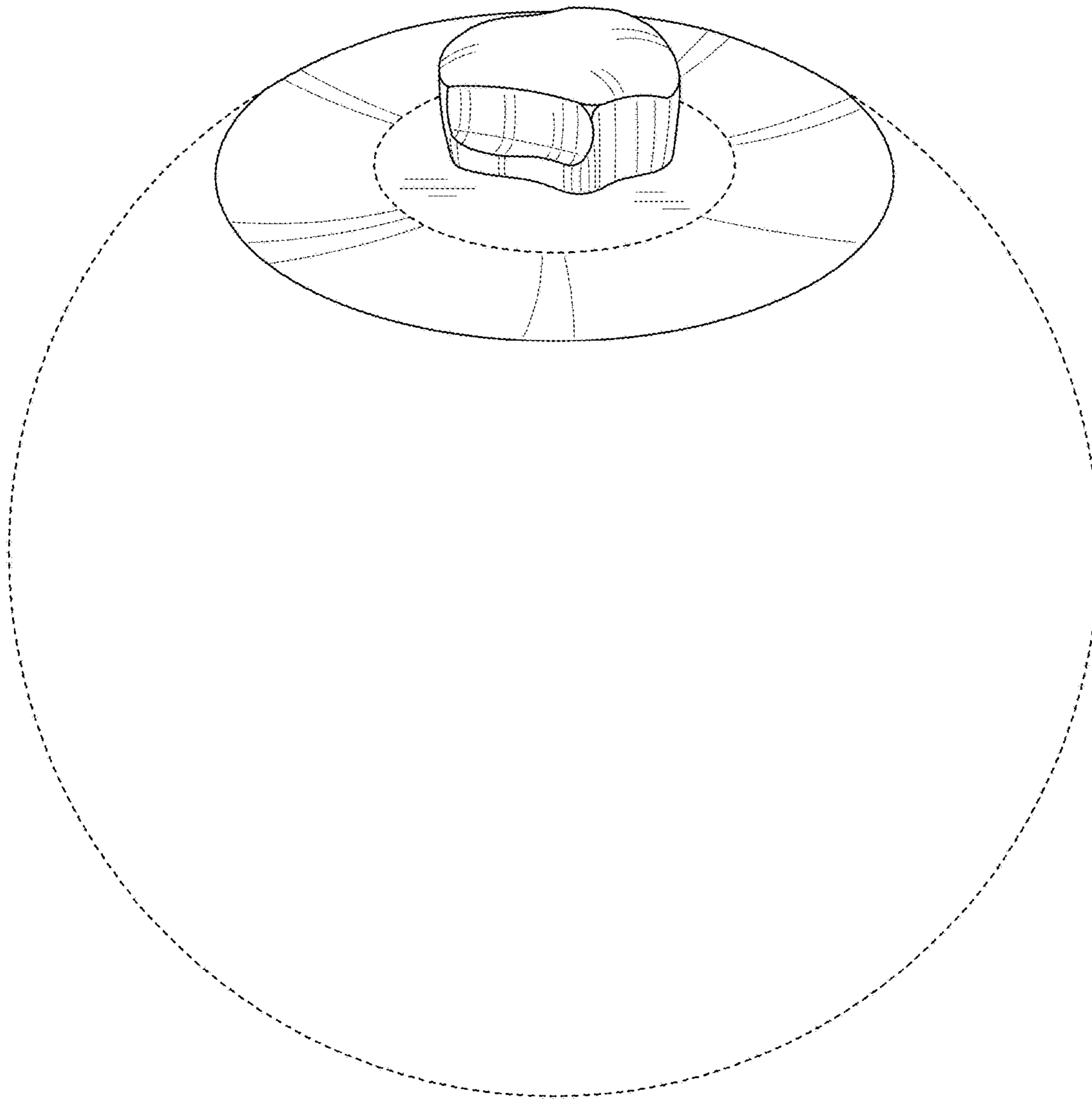


FIG. 14